



**THE DATASHEET OF
A5929KLPTR-T**



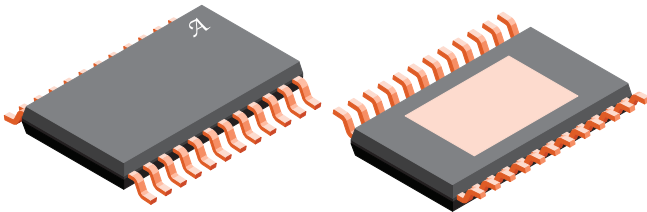
Automotive Full-Bridge MOSFET Driver

FEATURES AND BENEFITS

- High current Full-Bridge gate drive for n-channel MOSFETs
- Cross-conduction protection
- 5.5 V to 50 V Supply Voltage Range
- Motor phase short to supply and short to ground detection
- Undervoltage, overtemperature monitors
- Low Current Sleep Mode

PACKAGE:

24-Pin eTSSOP with exposed thermal pad (suffix LP)



Not to scale

DESCRIPTION

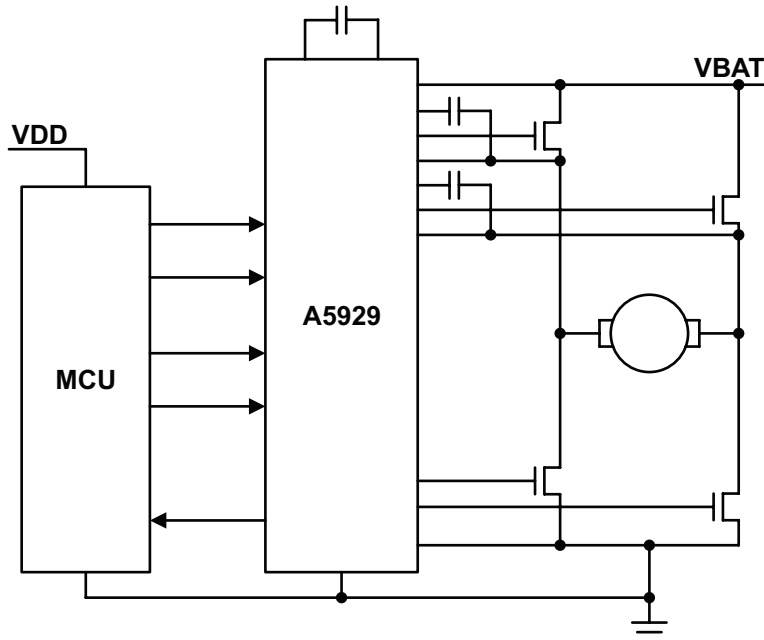
The A5929 is a full-bridge controller for use with n-channel external power MOSFETs and is specifically designed for automotive applications.

A unique charge pump regulator provides full (>10 V) gate drive at battery voltages down to 7 V and allows the A5929 to operate with reduced gate drive at battery voltages down to 5.5 V. A bootstrap capacitor is used to provide the above battery supply voltage required for n-channel MOSFETs.

One logic level input is provided for each of the four power MOSFETs in the full-bridge, allowing motors to be driven with any PWM scheme defined by an external controller. The power MOSFETs are protected from cross-conduction by integrated crossover control.

Motor phase short-to-supply and short-to-ground detection is provided by independent drain-source voltage monitors on each MOSFET. Short faults, supply undervoltage, and chip over-temperature conditions are indicated by a single open drain fault output.

The A5929 is supplied in a 24-pin TSSOP power package with an exposed thermal pad (package type LP). This package is available in lead (Pb) free versions, with 100% matte-tin lead frame plating (suffix -T).



Typical Application Diagram

SPECIFICATIONS

Selection Guide

Part Number	Packing	Package
A5929KLPTR-T	4000 pieces per reel	9.7mm x 4.4mm, 1.2mm nominal height 24 lead TSSOP with exposed thermal pad



Absolute Maximum Ratings ¹

Characteristic	Symbol	Notes	Rating	Unit
Load Supply Voltage	V_{BB}		-0.3 to 50	V
Terminal VREG			-0.3 to 16	V
Terminals CP1, CP2			-0.3 to 16	V
Logic Inputs AHI, ALO, BHI, BLO, and ENAB			-0.3 to 6.5	V
Terminal VBRG			-5 to 55	V
Terminal LSS			-4 to 6.5	V
Terminals SA, SB			-5 to 55	V
Terminals GHA, GHB			Sx to Sx+15	V
Terminals GLA, GLB			-5 to 16	V
Terminals CA, CB			-0.3 to Sx+15	V
Terminal FAULT			-0.3 to 6.5	V
Terminal VDSTH			-0.3 to 6.5	V
Ambient Operating Temperature Range ²	T_A		-40 to 150	°C
Maximum continuous junction temperature	$T_{J(max)}$		165	°C
Transient Junction Temperature	T_{tj}	Over temperature event not exceeding 10s, lifetime duration not exceeding 10hours, determined by design characterisation.	175	°C
Storage Temperature Range	T_{stg}		-55 to 150	°C

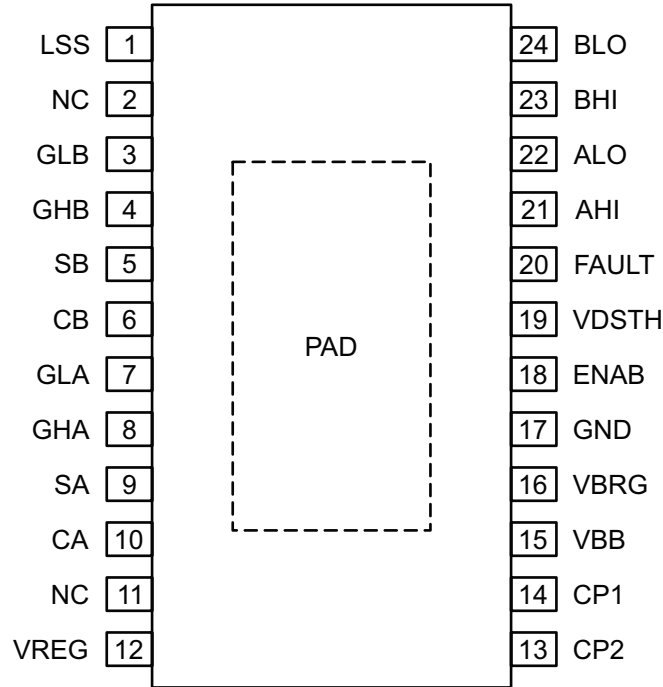
¹ With respect to GND.

² Limited by power dissipation.

Thermal Characteristics ³ may require derating at maximum conditions

Characteristic	Symbol	Test Conditions	Value	Unit
Package Thermal Resistance	$R_{\theta JA}$	4-layer PCB based on JEDEC standard	28	°C/W
		2-layer PCB with 3.8 in ² Copper each side	38	°C/W
	$R_{\theta JP}$		2	°C/W

³Additional thermal information available on the Allegro website.

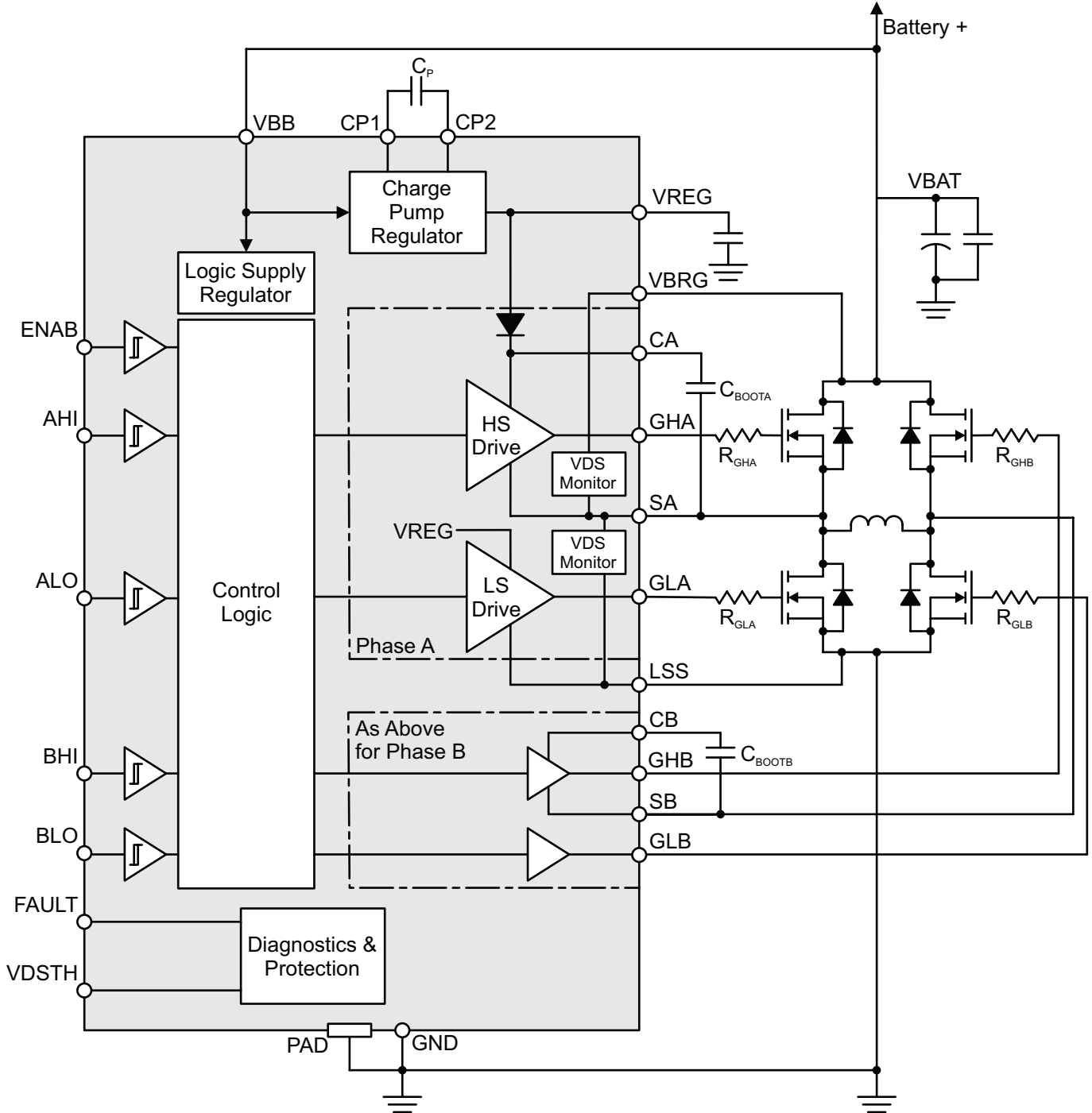


Package LP, 24-Pin eTSSOP Pin-out Diagram

Terminal List Table

Number	Name	Function
1	LSS	Common Low-side Source
2	NC	No connect
3	GLB	Phase B Low-side Gate Drive
4	GHB	Phase B High-side Gate Drive
5	SB	Phase B Motor Connection
6	CB	Phase B Bootstrap Capacitor
7	GLA	Phase A Low-side Gate Drive
8	GHA	Phase A High-side Gate Drive
9	SA	Phase A Motor Connection
10	CA	Phase A Bootstrap Capacitor
11	NC	No connect
12	VREG	Gate Drive Supply Output

Number	Name	Function
13	CP2	Pump Capacitor
14	CP1	Pump Capacitor
15	VBB	Main Power Supply
16	VBRG	High-side Drain voltage sense
17	GND	Ground
18	ENAB	Enable Input
19	VDSTH	VDS Monitor Threshold Voltage
20	FAULT	Diagnostic output
21	AHI	Phase A HS control
22	ALO	Phase A LS control
23	BHI	Phase B HS control
24	BLO	Phase B LS control
–	PAD	Exposed thermal pad-Connect to GND



Functional Block Diagram

ELECTRICAL CHARACTERISTICS: valid at $T_J = -40$ to $+150^\circ\text{C}$, $V_{BB} = 7$ to 50 V; unless otherwise specified

Characteristic	Symbol	Test Conditions	Min.	Typ.	Max.	Unit
Supply & Reference						
V_{BB} Functional Operating Range ²		Correct Function Parameters not Guaranteed	5.5	–	50	V
V_{BB} Quiescent Current	I_{BBQ}	Operational Mode, Outputs Low $V_{BB} = 12$ V	–	6	14	mA
	I_{BBS}	Sleep Mode, $V_{BB} = 12$ V, $ENAB < 0.6$ V	–	–	10	μA
V_{REG} Output Voltage	V_{REG}	$V_{BB} > 9$ V, $I_{REG} = 0$ mA to 15 mA	12.5	13	13.75	V
		7.5 V $< V_{BB} \leq 9$ V, $I_{REG} = 0$ mA to 10 mA	12.0	13	13.75	V
		6 V $< V_{BB} \leq 7.5$ V, $I_{REG} = 0$ mA to 9 mA	$2 \times V_{BB} - 3.0$	–	–	V
		5.5 V $< V_{BB} \leq 6$ V, $I_{REG} < 8$ mA	8.5	9.5	–	V
Bootstrap Diode Forward Voltage	V_{fBOOT}	$I_D = 10$ mA	0.4	0.7	1.0	V
		$I_D = 100$ mA	1.5	2.2	3.1	V
Bootstrap Diode Resistance	r_D	$r_{D(100\text{ mA})} = (V_{fBOOT(150\text{ mA})} - V_{fBOOT(50\text{ mA})}) / 100\text{ mA}$	6	13	28	Ω
Bootstrap Diode Current Limit	I_{DBOOT}		250	500	750	mA
Disable Time	t_{SLT}	From $ENAB < V_{IL}$ to Gxx low		200		ns
Sleep Mode Activation Timeout	t_{SLT}	From $ENAB < V_{IL}$	7.5	10	12.5	ms
Wake Up from Sleep Delay	t_{WK}	$ENAB > V_{IH}$. $C_{REG} < 1$ μF	–	–	1	ms
Gate Output Drive						
Turn-on Time	t_r	$C_{LOAD} = 1$ nF, 20% to 80%	–	35	–	ns
Turn-off Time	t_f	$C_{LOAD} = 1$ nF, 80% to 20%	–	20	–	ns
Pull-up On Resistance	$R_{DS(on)UP}$	$T_J = 25^\circ\text{C}$, $I_{GHx} = -150$ mA	5	8	13	Ω
		$T_J = 150^\circ\text{C}$, $I_{GHx} = -150$ mA	10	15	24	
Pull-down On Resistance	$R_{DS(on)DN}$	$T_J = 25^\circ\text{C}$, $I_{GLx} = 150$ mA	1.5	2.4	4.6	Ω
		$T_J = 150^\circ\text{C}$, $I_{GLx} = 150$ mA	2.5	4	6.5	
GHx Output Voltage High	V_{GHH}	Bootstrap Capacitor fully charged	$V_{Cx} - 0.2$	–	–	V
GHx Output Voltage Low	V_{GHL}		–	–	$V_{Sx} + 0.3$	V
GLx Output Voltage High	V_{GLH}		$V_{REG} - 0.2$	–	–	V
GLx Output Voltage Low	V_{GLL}		–	–	$V_{LSS} + 0.3$	V
GHx Passive Pull-down	R_{GHPD}	$V_{GHx} - V_{Sx} < 0.3$ V	–	400	–	k Ω
GLx Passive Pull-down	R_{GLPD}	$V_{GLx} - V_{LSS} < 0.3$ V	–	400	–	k Ω
Turn-off Propagation Delay ³	$t_{P(off)}$	Input change to unloaded Gate output change	60	90	180	ns
Turn-on Propagation Delay ³	$t_{P(on)}$	Input change to unloaded Gate output change	60	90	180	ns
Prop Delay Matching – Phase to Phase	Δt_{PP}	Same phase change	–	10	–	ns
Prop Delay Matching - On to Off	Δt_{OO}	Single phase	–	30	–	ns

Continued on the next page...

ELECTRICAL CHARACTERISTICS (continued): valid at $T_J = -40$ to $+150^\circ\text{C}$, $V_{BB} = 7$ to 50 V ; unless otherwise specified

Characteristic	Symbol	Test Conditions	Min.	Typ.	Max.	Unit
Logic Inputs & Outputs						
Input Low Voltage (xHI, xLO)	V_{IL}		-	-	0.8	V
Input High Voltage (xHI, xLO)	V_{IH}		2.0	-	-	V
Input Low Voltage (ENAB)	V_{IL}		-	-	0.8	V
Input Low Voltage (ENAB)	V_{IL}	Minimum power sleep mode	-	-	0.6	V
Input High Voltage (ENAB)	V_{IH}		2.0	-	-	V
Input Hysteresis (xHI, xLO) (ENAB)	V_{Ihys}		100	300	-	mV
Input Pull-down Resistor (xHI, xLO)	R_{PD}		-	50	-	k Ω
Input Pulse Filter Time (xHI, xLO)	t_{PIN}		-	35	-	ns
VDS Disable Voltage	V_{DSD}		-	-	100	mV
Fault Disable Voltage	V_{FLTD}		-	-	0.5	V
Output Low Voltage (FAULT)	V_{OL}	$I_{OL} = 1\text{ mA}$. No Fault indicated	-	0.2	0.4	V
Output Leakage (FAULT) ¹	I_O	$0\text{ V} < V_O < 5.5\text{ V}$, Fault indicated	-1	-	1	μA
Protection						
VREG Undervoltage Lockout	V_{REGON}	VREG rising	7.5	8	8.5	V
	V_{REGOFF}	VREG falling	6.75	7.25	7.75	V
Bootstrap Undervoltage	V_{BOOTUV}	V_{BOOT} falling, $V_{Cx} - V_{Sx}$	62	-	75	% V_{REG}
Bootstrap Undervoltage Hysteresis	$V_{BOOTHys}$		-	9	-	% V_{REG}
VDS Threshold Internal	V_{DSTHI}	$V_{DSTH} > 2.7\text{ V}$	1.1	1.2	1.3	V
VDS Threshold Range	V_{DSTH}		0.2	-	2	V
VDS Threshold Input Leakage	V_{DSTHL}	$0\text{ V} < V_{DSTH} < 5.5\text{ V}$	-3	-	3	μA
VBRG Input Voltage	V_{BRG}		$V_{BB}-1$	V_{BB}	$V_{BB}+1$	V
VBRG Input Current	I_{VBRG}	$V_{DSTH} = 2\text{ V}$, $V_{BB} = 12\text{ V}$; $0\text{ V} < V_{BRG} < V_{BB}$	-	-	250	μA
Short-to-Ground Threshold Offset	V_{STGO}	$V_{DSTH} \geq 1\text{ V}$	-	± 100	-	mV
		$V_{DSTH} < 1\text{ V}$	-150	± 50	+150	
Short-to-Battery Threshold Offset	V_{STBO}	$V_{DSTH} \geq 1\text{ V}$	-	± 100	-	mV
		$V_{DSTH} < 1\text{ V}$	-150	± 50	+150	
VDS Fault Blank Time	t_{BL}		1.5	2.3	4.5	μs
Over-temperature Warning	T_{JF}	Temperature increasing	170	-	180	$^\circ\text{C}$
Over-temperature Hysteresis	T_{JHyst}	Recovery = $T_{JF} - T_{JHyst}$	-	15	-	$^\circ\text{C}$

¹ For input and output current specifications, negative current is defined as coming out of (sourced by) the specified device terminal.

² Function is correct but parameters are not guaranteed below the general limits (7V).

³ See Figure 1 for gate drive output timing.

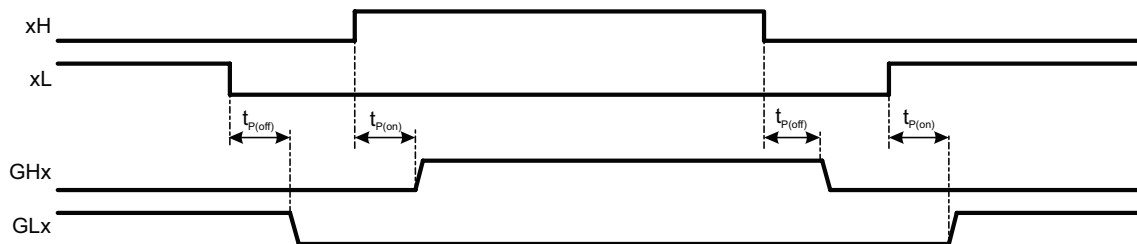


Figure 1: Gate Drive Timing

FUNCTIONAL DESCRIPTION

The A5929 provides four high current gate drives capable of driving a wide range of n-channel power MOSFETs. The gate drives are configured as two high-side and two low-side drives. The four gate drives are controlled by individual TTL-threshold logic inputs which may be driven from 3.3 V or 5 V logic outputs.

The A5929 provides all necessary circuitry to ensure that the gate-source turn-on voltages of both high-side and low-side external MOSFETs are driven above 10 V at supply voltages down to 7 V. For extreme low battery voltage conditions, correct functional operation is maintained down to 5.5 V but with a reduced gate drive.

The control inputs to the A5929 provide a simple solution for many motor drive applications controlled by an external microcontroller or DSP. Phase commutation and PWM control must be managed by the external system controller.

Specific device functions are described more fully in the following sections.

Input & Output Terminal Functions**VBB**

Power supply for all device functions including internal logic and Charge Pump.

System power should be connected to VBB through a reverse voltage protection circuit. The VBB pin should be decoupled to ground with ceramic capacitors mounted physically close to the device pins.

CP1, CP2

Pump capacitor connection for charge pump. Connect a minimum 220nF, typically 470nF, between CP1 and CP2.

VREG

Regulated voltage, nominally 13 V, used to supply the low side gate drivers and to charge the bootstrap capacitors. A sufficiently large storage capacitor must be connected to this terminal to provide the transient charging current.

GND

Analogue reference, Digital and power ground. Connect to supply ground – see layout recommendations.

CA, CB

High-side connections for the bootstrap capacitors and positive supply for high-side gate drivers.

GHA, GHB

High-side, gate-drive outputs for external n channel MOSFETs.

SA, SB

Load phase connections. Used to sense the voltages switched across the load. Also connected to the negative side of the bootstrap capacitors and constitute the negative supply connections for the floating high-side drivers.

GLA, GLB

Low-side, gate-drive outputs for external n-channel MOSFETs.

LSS

Low-side return path for discharge of the capacitance on the MOSFET gates, connected to the common sources of the low-side external MOSFETs through a low impedance track.

VBRG

Sense input to the top of the external MOSFET bridge. Allows accurate measurement of the voltage at the drains of the high side MOSFETs.

AHI, BHI

Input to control the high-side gate drives. A logic high commands the relevant high-side gate drive to be activated.

ALO, BLO

Input to control the low-side gate drives. A logic high commands the relevant low-side gate drive to be activated.

ENAB

Enable input to control all outputs and sleep mode. A logic high enables the outputs to be active. A logic low immediately disables all gate drive outputs and causes the A5929 to enter sleep mode after the Sleep Mode Activation Timeout.

FAULT

Open drain active-high fault output. If a fault is present the open-

drain pull-down is off and the FAULT input may be pulled high by an external pull-up resistor connected to any voltage up to a maximum of 5.5 V.

VDSTH

Drain source fault threshold programming pin. The VDS fault threshold may be set by applying an externally generated analogue voltage. VDS fault reporting is disabled if VDSTH is driven to less than V_{DSD} (e.g. shorted to ground). The VDS fault threshold is set to an internally hardwired value, V_{DSTHI} , if VDSTH is driven to a voltage above its specified analogue input range (e.g. pulled up to the system logic supply voltage).

Power Supplies

A single supply voltage (V_{BB}) applied to the VBB terminal powers all device functions including on-chip logic, analogue circuitry, and output drivers.

It should be connected to the positive supply through a reverse voltage protection circuit and decoupled by a ceramic capacitor mounted close to the VBB and GND terminals.

The A5929 will operate within specified performance limits with V_{BB} between 7V to 50V and will function correctly with V_{BB} as low as 5.5V.

Sleep Mode

A low power ‘sleep’ mode is activated when a logic low is applied to the ENAB input for a period equal to the Sleep Mode Activation Timeout (t_{SLT}). As soon as ENAB is low all gate drive outputs will be switched off. Once in sleep mode all outputs are switched to a high impedance state.

Operating mode is active within a period equal to the Wake Up from Sleep Delay (t_{WK}) from a logic high being detected on the ENAB input. It is recommended that all xLO inputs are simultaneously driven to logic high (GLx turned on) when waking from sleep in order to recharge the bootstrap capacitors and enable subsequent high side turn on.

CP1,CP2, VREG

The gate drivers are powered by an internal regulator which limits the supply to the drivers and therefore the maximum gate voltage. For VBB supply greater than approximately 16V the regulator operates in a linear regulator mode. Below 16V the

regulated supply is maintained by a charge pump boost converter which requires a pump capacitor, typically 470 nF, connected between the CP1 and CP2 terminals.

The regulated voltage, nominally 13 V, is available on the VREG terminal. A sufficiently large storage capacitor (See applications section) must be connected to this terminal to provide the transient charging current to the low side drivers and the bootstrap capacitors.

Gate Drives

The A5929 is designed to drive external, low on-resistance, power n channel MOSFETs. It will supply the large transient currents necessary to quickly charge and discharge the external MOSFET gate capacitances in order to reduce dissipation in the external MOSFET during switching. Charge current for the low-side drives is provided directly by the capacitor on the VREG terminal. Charge current for the high-side drives is delivered via the bootstrap capacitors connected, one per phase, across the Cx, Sx terminal pairs. Charge and discharge rate can be controlled by incorporating an external resistor in series with each MOSFET gate drive (GHx, GLx).

High-side Gate Drive. GHA/GBH

High-side, gate-drive outputs for external n channel MOSFETs. An external resistor between the GHx gate drive output and the MOSFET gate terminal (mounted as close to the latter as possible) may be used to control the slew rate at the gate, thereby controlling the di/dt and dv/dt of the voltage at the Sx terminals. GHx “high” turns on the upper half of the driver, sourcing current to the gate of the high-side MOSFET in the external motor-driving bridge, turning it on. GHx “low” turns on the lower half of the driver, sinking current from the external MOSFET’s gate circuit to the respective Sx terminal, turning it off.

Bootstrap Charge Management

Bootstrap capacitors are charged to approximately VREG when the associated Sx terminal is driven low. When the Sx terminal subsequently swings high, the capacitor provides the necessary voltage for high-side n-channel power MOSFET turn-on. At system start up it is necessary to turn on each low side drive (GLx) prior to attempting to turn on the complementary high side (GHx) in order to charge the bootstrap capacitors.

Low-side Gate Drive. GLA/GLB

The low-side, gate-drive outputs on GLA and GLB are referenced to the LSS terminal. These outputs are designed to drive external n-channel power MOSFETs. An external resistor between the GLx gate drive output and the MOSFET gate terminal (mounted as close to the latter as possible) may be used to control the slew rate at the gate, thereby providing some control of the di/dt and dv/dt of the voltage at the Sx terminals. GLx “high” turns on the upper half of the driver, sourcing current to the gate of the low-side MOSFET in the external motor-driving bridge, turning it on. GLx “low” turns on the lower half of the driver, sinking current from the external MOSFET’s gate circuit to the to the LSS terminal, turning it off.

Drain Source Voltage Monitor

The VDS fault threshold is set by applying a control voltage on the VDSTH pin as detailed in Figure 2.

If a voltage between 0.2 V and 2.0 V is applied the threshold will follow this level subject to the Short to Ground Threshold (V_{STGO}) and Short to Battery Threshold (V_{STBO}) Offsets detailed in the Electrical Characteristics table.

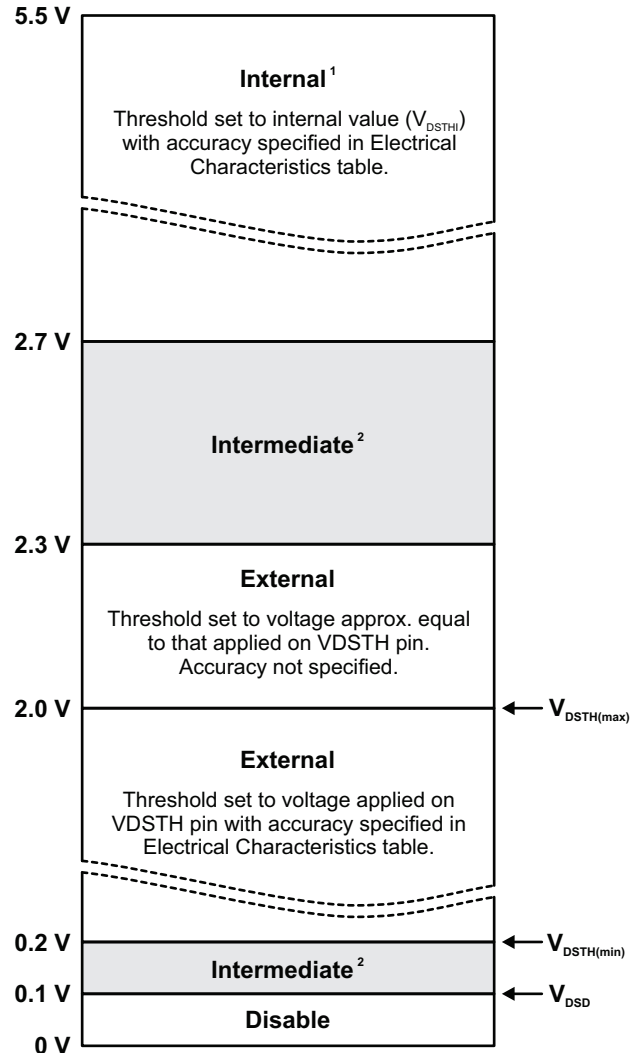
If a voltage between 2.0 V and 2.3 V is applied the threshold will approximate the applied level but accuracy is not specified.

If the VDSTH pin is driven below the VDS Disable Voltage (V_{DSD}) of 0.1 V (e.g. shorted to ground) VDS fault reporting is disabled.

If the VDSTH pin is taken above 2.7 V (e.g. pulled up to the system logic supply voltage) the threshold is set to the VDS Threshold Internal (V_{DSTH}) voltage detailed in the Electrical Characteristics table (typically 1.2 V).

The VDSTH pin presents a high impedance at all voltages across its permissible input range (per the VDS Threshold Input Leakage limits detailed in the Electrical Characteristics table, V_{DSTHL}) allowing a wide range of programming circuits to be used including simple resistive dividers.

The VDSTH input has an internal passive first-order filter with a time constant of approximately 10 μ s. Additional filter capacitance may be added externally if required.



¹VDSTH pin typically tied to system logic supply voltage.
²Behaviour indeterminate due to threshold detection uncertainty.

Figure 2: V_{DSTH} Pin Voltage versus V_{DS} Monitor Function

Logic Control Inputs

A set of discrete digital inputs (xHI, xLO) provides direct control of the four gate drive outputs (GHx, GLx). TTL input threshold levels ensure these can be driven from 3.3 V or 5 V logic systems.

Setting a logic input high causes the corresponding gate drive output to swing high thereby commanding the associated external MOSFET to turn on. Conversely, setting a logic input low swings the corresponding gate drive low commanding the MOSFET off.

Internal lock-out logic ensures that the high-side output drive and low-side output drive cannot be active simultaneously as detailed in Table 1.

Table 1: Phase Control Truth Table

Input			Output			Comments
ENAB	xHI	xLO	GHx	GLx	Sx	
1	0	0	L	L	Z	Phase disabled
1	0	1	L	H	LO	Low-side active
1	1	0	H	L	HI	High-side active
1	1	1	L	L	Z	Phase disabled
0	X	X	L	L	Z	All disabled
0	X	X	Z	Z	Z	Sleep Mode

HI ≡ high-side MOSFET active, LO ≡ low-side MOSFET active
X ≡ don't care, Z ≡ high impedance, both MOSFETs off

An additional enable input, ENAB, may be used to turn all outputs off. ENAB must be high for the outputs to be active. When ENAB is held low for longer than the Sleep Mode Activation Time (t_{SLT}) then the A5929 will enter sleep mode.

Diagnostics

Several diagnostic features are integrated into the A5929 to provide indication of fault conditions. In addition to system wide faults such as under voltage and over temperature, the A5929 integrates individual monitors for each bootstrap capacitor voltage and each external MOSFET drain-source voltage.

The presence of a fault condition is indicated on the FAULT pin. This is an open drain output that should be pulled to any voltage up to 5.5 V by an external resistor, typically 10 kΩ to 47 kΩ. The definition of the individual fault states and the effect on the gate drive outputs (GHx, GLx) are shown in Table 2 and described below.

Table 2: Fault Definitions

FAULT	Fault Description	Outputs Disabled	Fault Latched
Low	No Fault	No	-
High	Overtemperature	No	No
High	VREG undervoltage	Yes ¹	No
High	VDS overvoltage	No	No
High	Bootstrap undervoltage	Yes ²	Yes

¹ All gate drives low (external MOSFETs off).

² High side drive of phase generating FAULT condition set low (external MOSFET off). Other outputs unaffected.

Fault States

It is recommended that any external control circuitry remaining active in the event of a fault state being flagged is configured to take appropriate action to prevent damage to the A5929 and associated motor drive components.

Overtemperature. If junction temperature exceeds the over-temperature warning threshold (T_{JF}) the A5929 enters the over-temperature warning state and FAULT goes high. The over-temperature warning state is cleared and the FAULT output returned to logic low when the junction temperature drops below recovery level $T_{JF} - T_{JFphys}$.

Whilst an over-temperature warning state is asserted no on-chip circuitry or functions are disabled.

VREG UNDERVOLTAGE

The charge pump generates V_{REG} to provide low-side gate driver and bootstrap charge current. It is necessary to ensure that this voltage is high enough prior to enabling any of the gate drive outputs. If the voltage at the VREG pin drops below the falling VREG Undervoltage Lockout Threshold ($V_{REGUoff}$) the A5929 enters the VREG undervoltage fault state, FAULT is set high, and all gate drive outputs (GHx, GLx) are disabled. The VREG undervoltage fault state is cleared and FAULT goes low when V_{REG} rises above the VREG undervoltage lockout threshold (rising), V_{REGUon} .

The VREG undervoltage monitor circuit is active during power-up and the A5929 remains in the VREG undervoltage fault state until V_{REG} is greater than the rising VREG undervoltage lockout threshold, V_{REGUon} .

VDS OVERVOLTAGE

When a gate drive output is commanded to turn on (GHx or GLx high) the drain-source voltage of the corresponding external MOSFET is monitored between VBRG and Sx or Sx and LSS as appropriate. If the measured voltage exceeds the threshold value programmed on the VDSTH pin the FAULT output is set high but none of the gate drive outputs is disabled. Propagation of any fault states to the FAULT output is disabled for the VDS Fault Blank Time (t_{BL}) at every external MOSFET turn-on event to avoid reporting spurious faults in response to switching transients. If a fault is reported on the FAULT pin it will be cleared as soon as the measured drain-source voltage drops below the programmed VDSTH level.

BOOTSTRAP CAPACITOR UNDERVOLTAGE

Each bootstrap capacitor is monitored to ensure sufficient high-side gate drive voltage is available to initiate and maintain external MOSFET turn-on.

High-side gate drive outputs only turn on if the relevant bootstrap capacitor voltage is higher than the bootstrap turn-on voltage threshold, $V_{BOOTUV} + V_{BOOTHYS}$. If the bootstrap voltage is below this threshold when turn on is command on xHI the corresponding gate drive, GHx, is not switched on and FAULT is set high. The output remains off and FAULT remains high until either the affected gate drive is commanded to turn off or the

FAULT pin is pulled low by external means (see FAULT pin disable description below).

After a high side gate drive has been successfully turned on the appropriate bootstrap capacitor voltage must remain above the Bootstrap Undervoltage threshold (V_{BOOTUV}). If the bootstrap capacitor voltage drops below V_{BOOTUV} the high side driver in question is switched off and FAULT goes high. The driver will remain off and FAULT will remain high until either the affected high-side gate drive turn on commanded is removed from xHI or the FAULT pin is pulled low by external means (see FAULT pin disable description below).

If a bootstrap capacitor fault condition is detected only the driver in question is disabled. All other gate drives continue to respond to control inputs on xHI, xLO.

If the FAULT pin is held low (below the Fault Disable Voltage (V_{FLTD}) by external means the bootstrap undervoltage monitor feature is disabled. In this condition, if bootstrap capacitor voltage fails to reach $V_{BOOTUV} + V_{BOOTHYS}$ for turn on or drops below V_{BOOTUV} after turn on the driver in question is not forced into the off state. As the FAULT pin is held low, a fault state is not flagged. Whilst the FAULT pin is held low to disable the bootstrap undervoltage monitor any other fault conditions that might arise are undetectable outside the A5929. However, internal fault actions are unaffected and gate drive outputs are still disabled in response to other faults in accordance with Table 2.

APPLICATIONS INFORMATION

Power Bridge Management Using PWM Control

The A5929 provides individual high-side and low-side controls for each phase through the four digital control inputs. The only restriction imposed by the A5929 is to prevent the high-side and low-side gate drive from a single phase being on at the same time to avoid cross-conduction. This allows all H bridge control schemes to be implemented. This includes fast and slow decay, synchronous rectification and diode rectification, and edge aligned and centre aligned PWM.

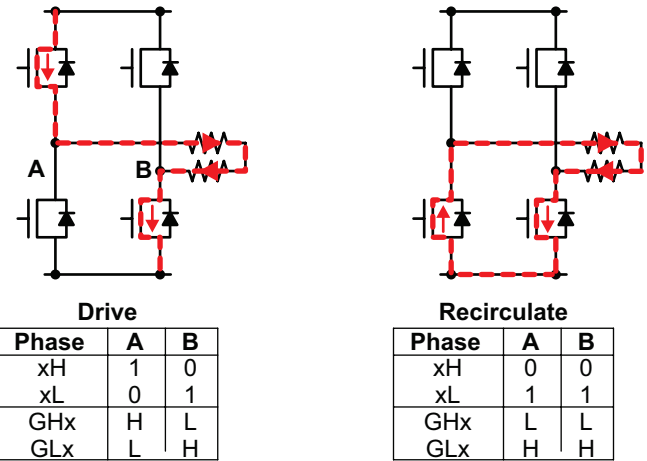
Figure 3(A) shows an example of the path of the bridge and load current. In this example the high-side MOSFETs are switched off during the current decay time (PWM-off time) and load current recirculates through the low-side MOSFETs. This is commonly referred to as high side chopping or high side PWM. During the PWM off-time the complementary MOSFETs are turned on to short the body diode and provide synchronous rectification. Figure 3(A) only shows current in one direction but the same principal applies to current in the opposite direction. The same principal also applies when the low-side MOSFETs are turned off during the PWM off-time and the load current recirculates through the high side MOSFETs as in figure 3(B). In this control scheme the microcontroller has full control over the current decay method, load current recirculation paths, braking and coasting.

The A5929 provides exceptional propagation delay matching from logic input to gate drive output for high performance motor control applications. These advanced applications usually require high-resolution PWM control on each phase. This must be provided by an external controller, which must also provide the necessary dead time to avoid shoot through in the power bridge.

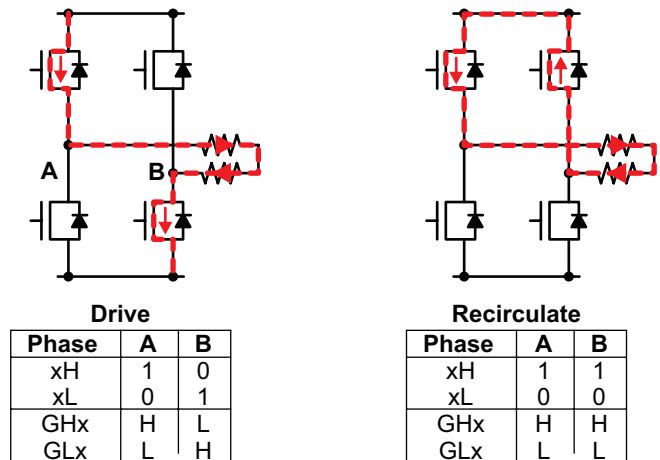
Bootstrap Capacitor Selection

C_{BOOT} must be correctly selected to ensure proper operation of the device. Too large and time will be wasted charging the capacitor resulting in a limit on the maximum duty cycle and PWM frequency. Too small and there can be a large voltage drop at the time the charge is transferred from C_{BOOT} to the MOSFET gate.

To keep the voltage drop, due to charge sharing, small, the charge in the bootstrap capacitor (Q_{BOOT}) should be much larger than Q_{GATE}.



(A) High-side PWM with slow decay and synchronous rectification.



(B) Low-side PWM with slow decay and synchronous rectification.

Figure 3: Power Bridge Control

The charge required by the gate:

$$Q_{BOOT} \gg Q_{GATE}$$

A factor of 20 is a reasonable value.

$$Q_{BOOT} = C_{BOOT} \times V_{BOOT} = Q_{GATE} \times 20$$

$$C_{BOOT} = \frac{Q_{GATE} \times 20}{V_{BOOT}}$$

where V_{BOOT} is the voltage across the bootstrap capacitor.

The voltage drop, ΔV , across the bootstrap capacitor as the MOSFET is being turned on can be approximated by:

$$\Delta V = \frac{Q_{GATE}}{C_{BOOT}}$$

so for a factor of 20, ΔV will be 5% of V_{BOOT} .

The maximum voltage across the bootstrap capacitor under normal operating conditions is VREG max. However in some circumstances the voltage may transiently reach 18 V, the clamp voltage of the Zener diode between the Cx terminal and the Sx terminal. In most applications with a good ceramic capacitor the working voltage can be limited to 16 V.

Bootstrap Charging

It is good practice to ensure the high side bootstrap capacitor is completely charged before a high side PWM cycle is requested. The time required to charge the capacitor (t_{CHARGE}) in μs , is approximated by:

$$t_{CHARGE} = \frac{C_{BOOT} \times \Delta V}{500}$$

Where C_{BOOT} is the value of the bootstrap capacitor in nF and ΔV is the required voltage of the bootstrap capacitor. At power up and when the drivers have been disabled for a long time, the bootstrap capacitor can be completely discharged. In this case ΔV can be considered to be the full high side drive voltage, 12 V. Else, ΔV is the amount of voltage dropped during the charge transfer, which should be 400 mV or less. The capacitor is charged whenever the Sx terminal is pulled low and current flows from VREG through the internal bootstrap diode circuit to C_{BOOT} .

Supply Decoupling

Since this is a switching circuit there will be current spikes from on VBB at the switching points. As with all such circuits the power supply connections should be decoupled with a ceramic capacitor, typically 220 nF, between the supply terminal and ground. These capacitors should be connected as close as possible to the VBB and ground terminal (GND).

VREG Capacitor Selection

The internal reference (VREG) supplies current for the low-side gate-drive circuits and the charging current for the bootstrap capacitors. When a low-side MOSFET is turned on, the gate-drive circuit will provide the high transient current to the gate that is necessary to turn the MOSFET on quickly. This current, which can be several hundred milliamperes, cannot be provided directly by the limited output of the VREG regulator but must be supplied by an external capacitor connected to VREG.

The turn on current for the high-side MOSFET is similar in value but is mainly supplied by the bootstrap capacitor. However the bootstrap capacitor must then be recharged from the VREG regulator output. Unfortunately the bootstrap recharge can occur a very short time after the low-side turn on occurs. This means that the value of the capacitor connected between VREG and GND should be high enough to minimize the transient voltage drop on VREG for the combination of a low-side MOSFET turn on and a bootstrap capacitor recharge. A value of $20 \times C_{BOOT}$ is a reasonable value. The maximum working voltage will never exceed VREG so can be set as low as 15 V. This capacitor should be placed as close as possible to the VREG terminal.

INPUT/OUTPUT STRUCTURES

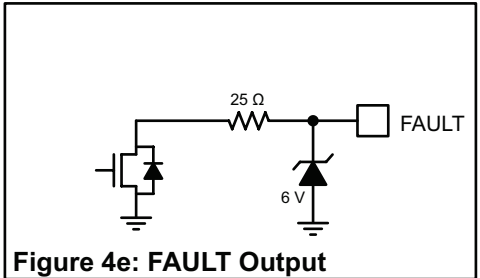
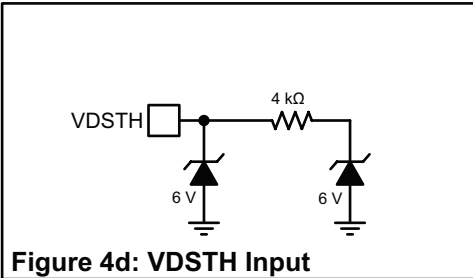
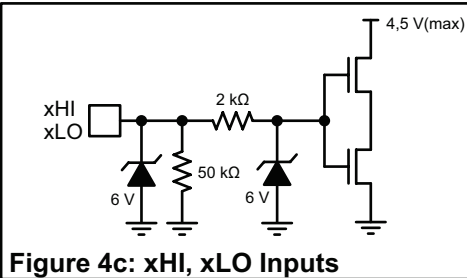
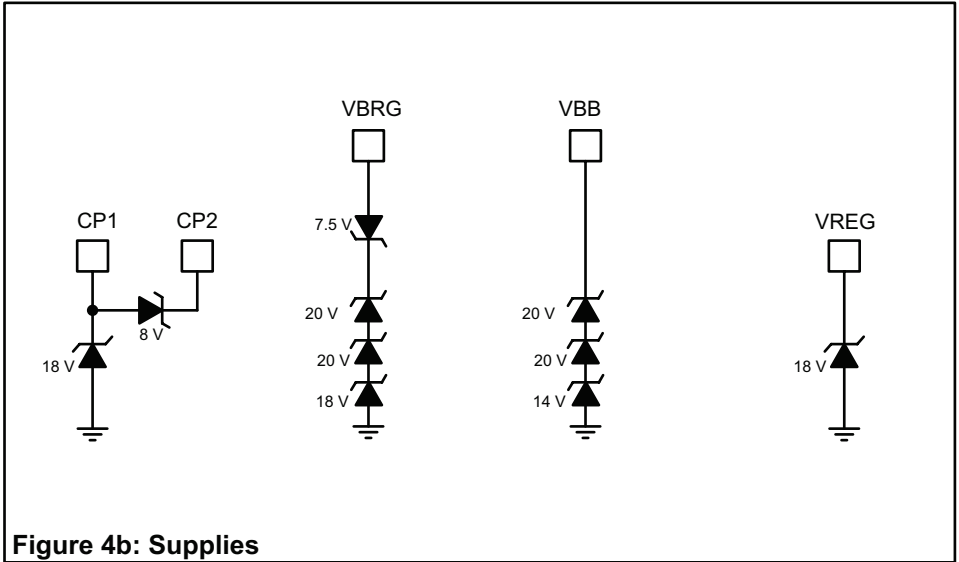
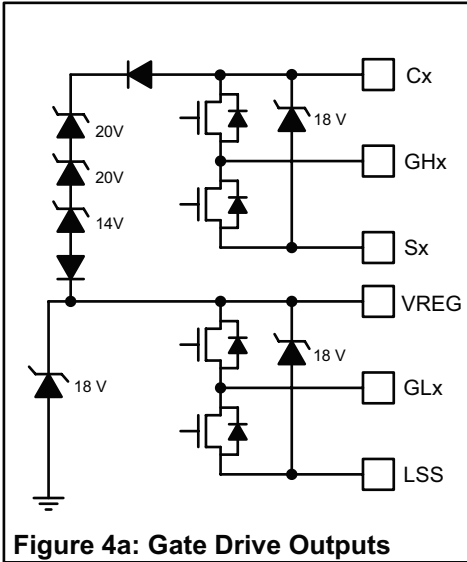


Figure 4c: xHI, xLO Inputs

Figure 4d: VDSTH Input

Figure 4e: FAULT Output

LAYOUT RECOMMENDATIONS

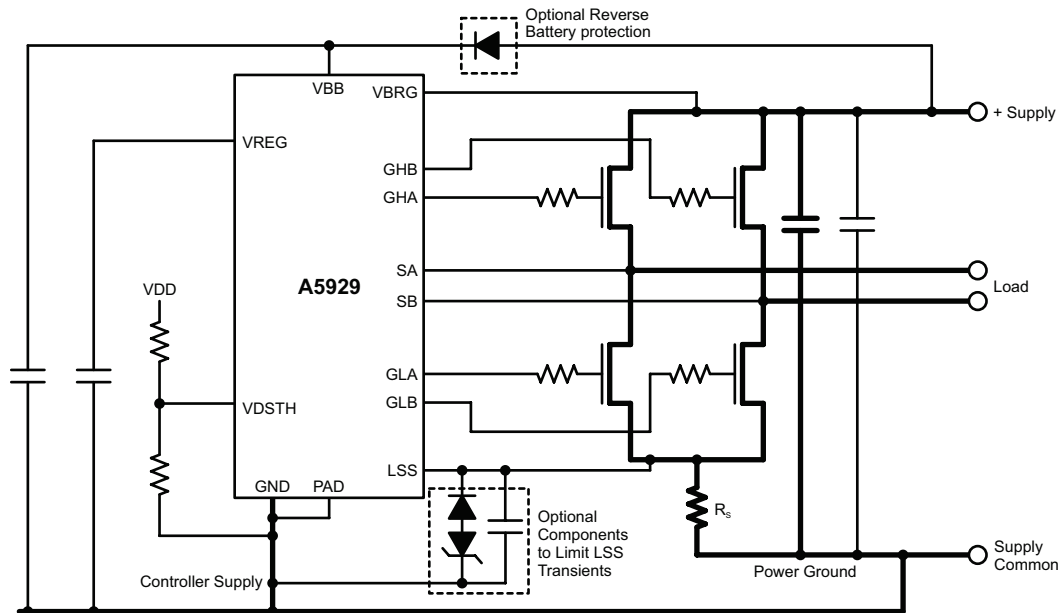


Figure 5: Supply Routing Suggestion

Careful consideration must be given to PCB layout when designing high frequency, fast-switching, high-current circuits:

The A5929 ground, GND, and the high-current return of the external MOSFETs should return separately to the negative side of the motor supply filtering (DC-link) capacitor. This will minimize the effect of bridge switching noise on the A5929.

The exposed thermal pad should be connected to GND.

Minimize stray inductance by using short, wide copper tracks at the drain and source terminals of all power MOSFETs. This includes motor lead connections, the input power bus, and the common source of the low-side power MOSFETs. This will minimize voltages induced by fast switching of large load currents.

Consider the use of small (100 nF) ceramic decoupling capacitors across the source and drain of the power MOSFETs to limit fast transient voltage spikes caused by track inductance.

Keep the gate discharge return connections Sx and LSS as short as possible. Any inductance on these tracks will cause negative transitions on the corresponding A5929 terminals, which may exceed the absolute maximum ratings. If this is likely, consider the use of clamping diodes to limit the negative excursion on these terminals with respect to GND.

The sensitive VDSTH input should be connected independently

close to the GND terminal. The decoupling capacitors should also be connected as close as possible to the relevant supply terminal.

Check the peak voltage excursion of the transients on the LSS terminal with reference to the GND terminal using a close-grounded (tip & barrel) probe. If the voltage at LSS exceeds the absolute maximum in the datasheet, add additional clamping and/or capacitance between the LSS terminal and the GND terminal as shown.

Gate charge drive paths and gate discharge return paths may carry a large transient current pulse. Therefore the traces from GHx, GLx, Sx (x = A or B) and LSS should be as short as possible to reduce the track inductance.

Provide an independent connection from LSS to the common point of the power bridge. It is not recommended to connect LSS directly to the GND terminal as this may inject noise into sensitive functions such as the various voltage monitors.

A low cost diode can be placed in the connection to VBB to provide reverse battery protection. In reverse battery conditions it is possible to use the body diodes of the power MOSFETs to clamp the reverse voltage to approximately 4 V. In this case the additional diode in the VBB connection will prevent damage to the A5929 and the VBRG terminal will survive the reverse voltage.

CUSTOMER PACKAGE DRAWING

For Reference Only – Not for Tooling Use

(Reference MO-153 ADT)
NOT TO SCALE

Dimensions in millimeters

Dimensions exclusive of mold flash, gate burrs, and dambar protrusions
Exact case and lead configuration at supplier discretion within limits shown

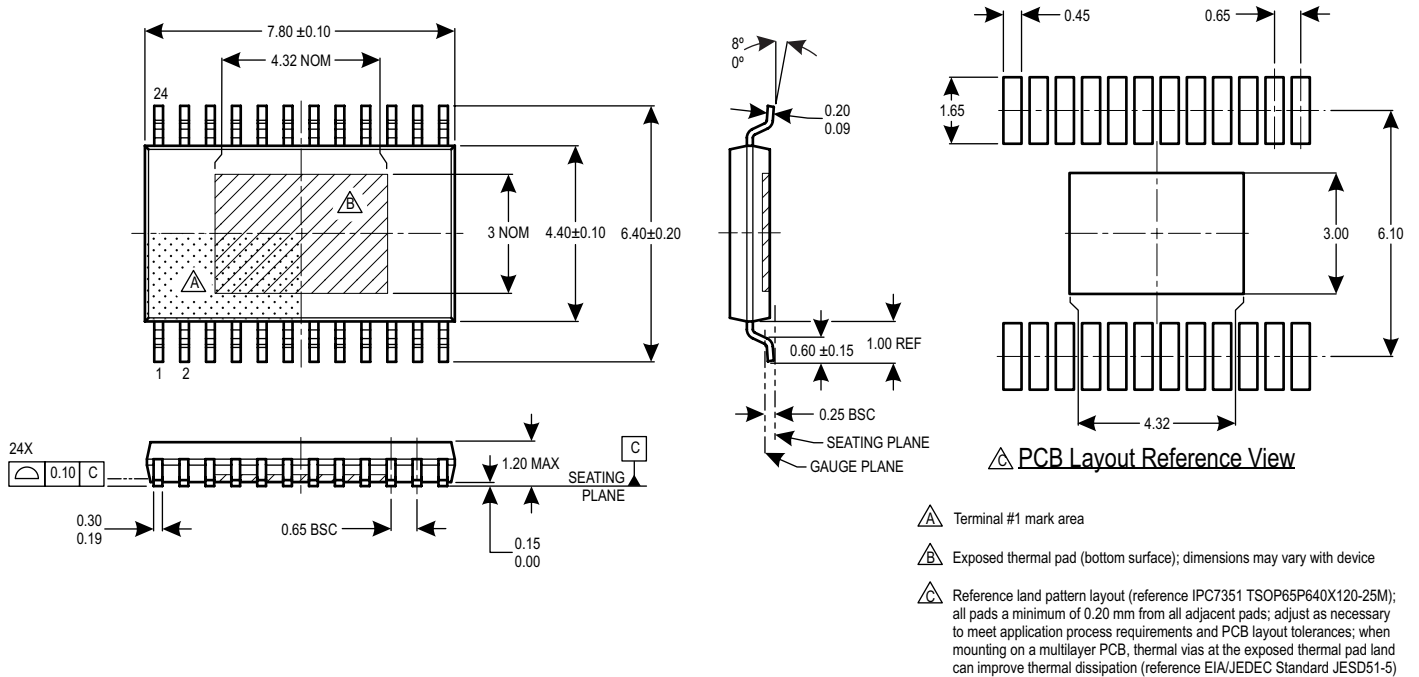


Figure 6: Package LP, 24-Pin eTSSOP with Exposed Thermal Pad

Revision History

Revision	Revision Date	Description of Revision
–	February 11, 2015	Initial Release
0.1	March 3, 2015	Corrected typos and revised I_{BBQ} and I_{BBS} values

Copyright ©2015, Allegro MicroSystems, LLC

Allegro MicroSystems, LLC reserves the right to make, from time to time, such departures from the detail specifications as may be required to permit improvements in the performance, reliability, or manufacturability of its products. Before placing an order, the user is cautioned to verify that the information being relied upon is current.

Allegro's products are not to be used in any devices or systems, including but not limited to life support devices or systems, in which a failure of Allegro's product can reasonably be expected to cause bodily harm.

The information included herein is believed to be accurate and reliable. However, Allegro MicroSystems, LLC assumes no responsibility for its use; nor for any infringement of patents or other rights of third parties which may result from its use.


For the latest version of this document, visit our website:

www.allegromicro.com



Looking for pricing, stock, or lifecycle information?

Click below to explore more details on WIN SOURCE:

-  [View A5929KLPTR-T on WIN SOURCE](#)
-  [Allegro MicroSystems, LLC Information](#)

Optimize Your Supply Chain with WIN SOURCE Solutions

-  Global Sourcing Solution
-  Obsolete Management
-  Cost Control Management
-  Shortage Management
-  Alternative Solution
-  Excess Inventory Management