

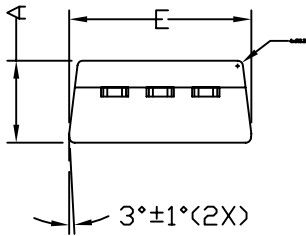
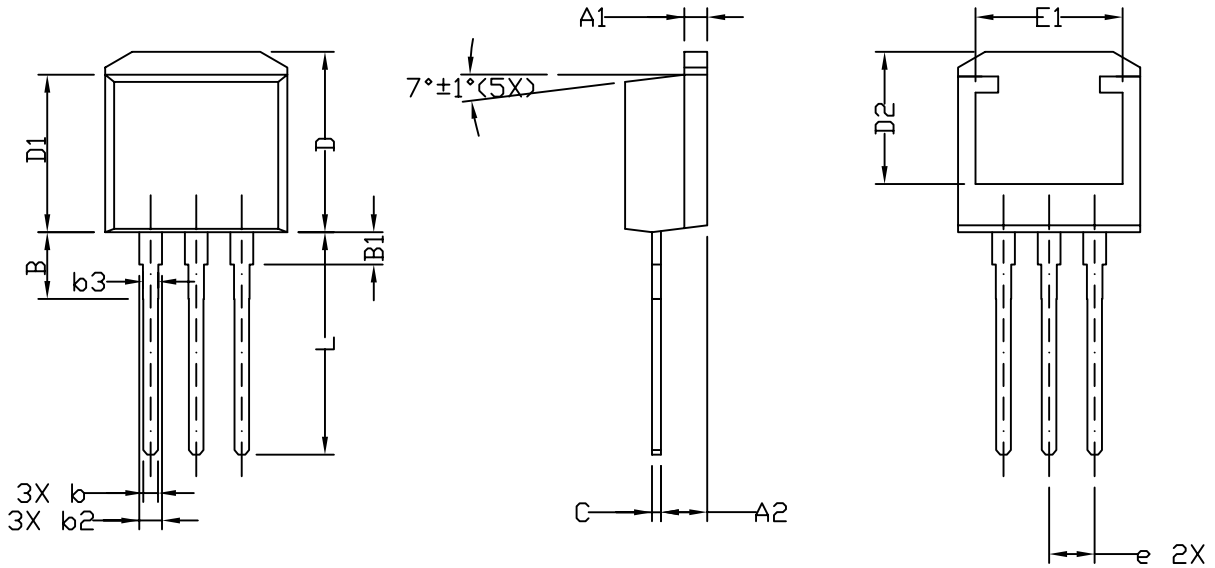


THE DATASHEET OF AOW480



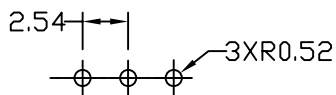


TO262 PACKAGE OUTLINE



| SYMBOL | DIMENSIONAL REQMTS | | | INCHES REQMTS | | |
|--------|--------------------|-------|-------|---------------|-------|-------|
| | MIN | NOM | MAX | MIN | NOM | MAX |
| A | 4.30 | 4.57 | 4.72 | 0.169 | 0.180 | 0.186 |
| A1 | 1.17 | 1.27 | 1.37 | 0.046 | 0.050 | 0.054 |
| A2 | 2.47 | 2.57 | 2.67 | 0.097 | 0.101 | 0.105 |
| B | 3.55 | 3.72 | 3.90 | 0.140 | 0.146 | 0.154 |
| B1 | 1.65 | 1.80 | 2.00 | 0.065 | 0.071 | 0.079 |
| b | 0.69 | 0.813 | 0.94 | 0.027 | 0.032 | 0.037 |
| b2 | 1.17 | 1.27 | 1.45 | 0.046 | 0.050 | 0.057 |
| b3 | 0.74 | 0.86 | 0.91 | 0.029 | 0.034 | 0.036 |
| c | 0.48 | 0.50 | 0.60 | 0.019 | 0.020 | 0.024 |
| D | 9.80 | 10.05 | 10.30 | 0.386 | 0.396 | 0.406 |
| D1 | 8.64 | 8.78 | 9.65 | 0.340 | 0.346 | 0.380 |
| D2 | 7.12 | 7.37 | 7.62 | 0.280 | 0.290 | 0.300 |
| e | 2.54 BSC | | | 0.100 BSC | | |
| E | 9.70 | 10.15 | 10.54 | 0.382 | 0.400 | 0.415 |
| E1 | 8.00 | 8.20 | 8.40 | 0.315 | 0.323 | 0.331 |
| L | 12.27 | 12.40 | 13.48 | 0.483 | 0.488 | 0.531 |

RECOMMENDED LAND PATTERN



NOTE

1. CONTROLLING DIMENSION IS MILLIMETER.
CONVERTED INCH DIMENSIONS ARE NOT NECESSARILY EXACT.

Looking for pricing, stock, or lifecycle information?

Click below to explore more details on WIN SOURCE:

- [View AOW480 on WIN SOURCE](#)
- [Alpha & Omega Semiconductor Inc. Information](#)

Optimize Your Supply Chain with WIN SOURCE Solutions

- ✓ Global Sourcing Solution
- ✓ Obsolete Management
- ✓ Cost Control Management
- ✓ Shortage Management
- ✓ Alternative Solution
- ✓ Excess Inventory Management