

General Description

The AOZ8819 is a transient voltage suppressor array designed to protect high speed data lines such as HDMI 1.4/2.0, USB 3.1, MDDI, SATA, and Gigabit Ethernet from damaging ESD events.

This device incorporates eight surge rated, low capacitance steering diodes and a TVS in a single package. During transient conditions, the steering diodes direct the transient to either the positive side of the power supply line or to ground.

The AOZ8819 provides a typical line-to-line capacitance of 0.3 pF and low insertion loss up to 6 GHz providing greater signal integrity making it ideally suited for HDMI 1.4/2.0 or USB 3.1 applications, such as Digital TVs, DVD players, computing, set-top boxes and MDDI applications in mobile computing devices.

The AOZ8819 comes in a RoHS compliant and Halogen Free 2.5 mm x 1.0 mm x 0.55 mm DFN-10 package and is rated for -40 °C to +85 °C junction temperature range.

Features

- ESD protection for high-speed data lines:
 - IEC 61000-4-2, level 4 (ESD) ±15 kV (air), ±13 kV (contact)
 - IEC61000-4-5 (Lightning) 7 A (8/20 μS)
 - Human Body Model (HBM) ±24 kV
- Array of surge rated diodes with internal TVS diode
- Protects four I/O lines
- Low capacitance between I/O lines: 0.3 pF
- Low clamping voltage
- Low operating voltage: 5.0 V

Applications

- HDMI 1.4/2.0, USB 3.1, MDDI, SATA ports
- Monitors and flat panel displays
- Set-top box
- Video graphics cards
- Digital Video Interface (DVI)
- Notebook computers



Typical Applications

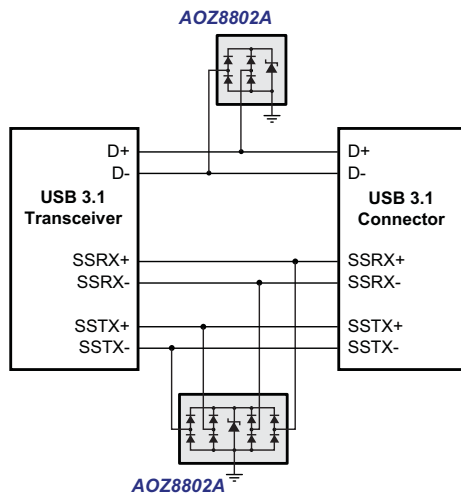


Figure 1. USB 3.1 Ports

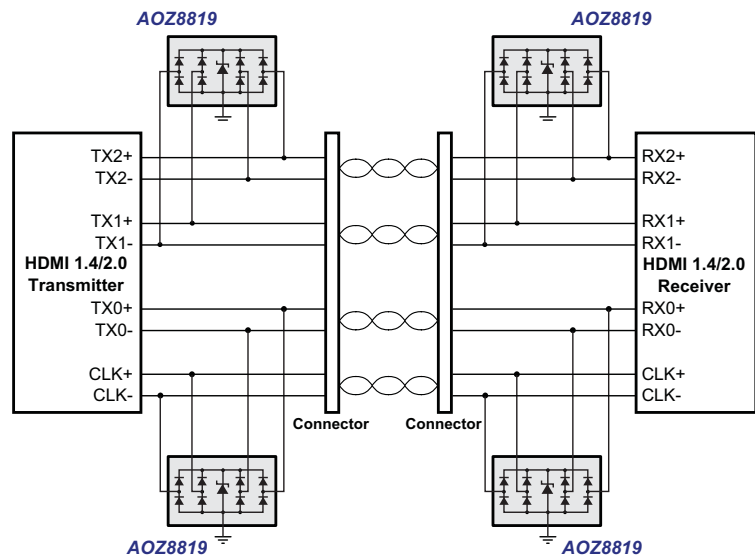


Figure 2. HDMI 1.4/2.0 Ports

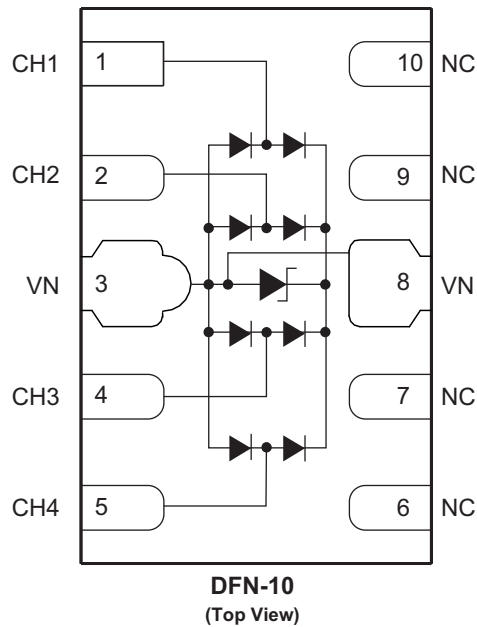
Ordering Information

| Part Number | Ambient Temperature Range | Package | Environmental |
|--------------|---------------------------|----------------------------------|---------------|
| AOZ8819DI-05 | -40 °C to +85 °C | 2.5 mm x 1.0 mm x 0.55 mm DFN-10 | Green Product |



AOS Green Products use reduced levels of Halogens, and are also RoHS compliant. Please visit www.aosmd.com/media/AOSGreenPolicy.pdf for additional information.

Pin Configuration



Absolute Maximum Ratings

Exceeding the Absolute Maximum ratings may damage the device.

| Parameter | Rating |
|--|-------------------|
| Storage Temperature (T_S) | -65 °C to +150 °C |
| ESD Rating per IEC61000-4-2, contact ⁽¹⁾⁽³⁾ | ±13 kV |
| ESD Rating per IEC61000-4-2, air ⁽¹⁾⁽³⁾ | ±15 kV |
| ESD Rating per Human Body Model ⁽²⁾⁽³⁾ | ±24 kV |

Notes:

- IEC 61000-4-2 discharge with $C_{Discharge} = 150\text{pF}$, $R_{Discharge} = 330\ \Omega$.
- Human Body Discharge per MIL-STD-883, Method 3015 $C_{Discharge} = 100\ \text{pF}$, $R_{Discharge} = 1.5\ \text{k}\Omega$.

Maximum Operating Ratings

| Parameter | Rating |
|--------------------------------|-------------------|
| Junction Temperature (T_J) | -40 °C to +125 °C |

Electrical Characteristics

$T_A = 25^\circ\text{C}$ unless otherwise specified.

| Symbol | Parameter | Diagram |
|-----------|---|---------|
| I_{PP} | Maximum Reverse Peak Pulse Current | |
| V_{CL} | Clamping Voltage @ I_{PP} 100ns Transmission Line Pulse (TLP) | |
| V_{RWM} | Working Peak Reverse Voltage | |
| I_R | Maximum Reverse Leakage Current | |
| V_{BR} | Breakdown Voltage | |
| I_T | Test Current | |
| V_F | Forward Voltage @ I_F | |
| C_J | Max. Capacitance @ $V_R = 0$ and $f = 1$ MHz | |

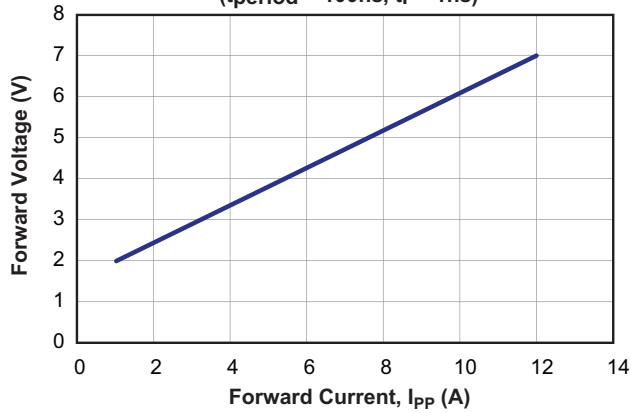
| Symbol | Parameter | Conditions | Min. | Typ. | Max | Units |
|-----------|--|--|------|------|-----|---------------|
| V_{RWM} | Reverse Working Voltage | I/O pin to ground | | | 5 | V |
| V_{BR} | Reverse Breakdown Voltage | $I_T = 100 \mu\text{A}$, I/O pin to ground | 6 | | | V |
| I_R | Reverse Leakage Current | $V_{RWM} = 5$ V, between I/O pin to ground | | | 1 | μA |
| V_{CL} | Channel Clamp Voltage ⁽³⁾ | $I_{PP} = 2$ A, $t_p = 100$ ns, I/O pin to ground | | | 4 | V |
| | | $I_{PP} = 12$ A, $t_p = 100$ ns, I/O pin to ground | | | 9 | V |
| C_J | Junction Capacitance ⁽³⁾⁽⁴⁾ | $V_R = 0$ V, $f = 1$ MHz, I/O pin to ground | | 0.6 | 0.8 | pF |
| | | $V_R = 0$ V, $f = 1$ GHz, I/O pin to ground | | 0.3 | 0.4 | |

Notes:

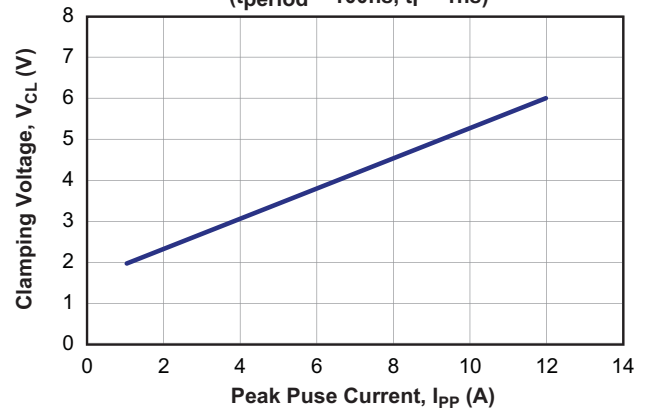
- These specifications are guaranteed by design and characterization.
- $V_{PIN\ 3,8} = 0\text{V}$, $V_{IN} = 2.5\text{V}$, $f = 1\text{MHz}$, $T = 25^\circ\text{C}$, any I/O pin to ground.

Typical Performance Characteristics

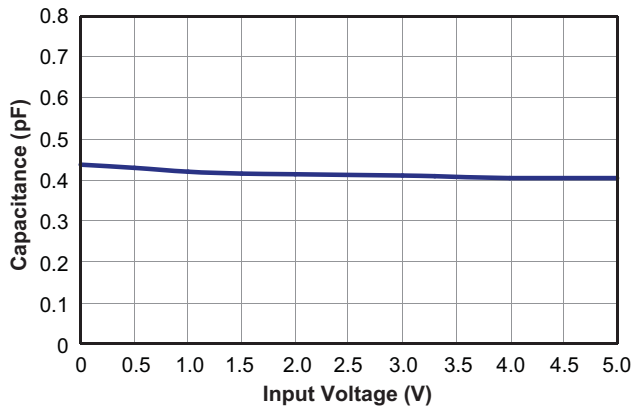
Forward Voltage vs. Forward Peak Pulse Current
($t_{period} = 100ns, t_r = 1ns$)



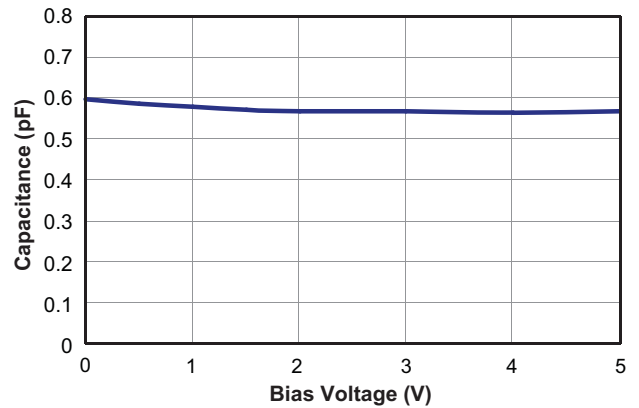
Clamping Voltage vs. Peak Pulse Current
($t_{period} = 100ns, t_r = 1ns$)



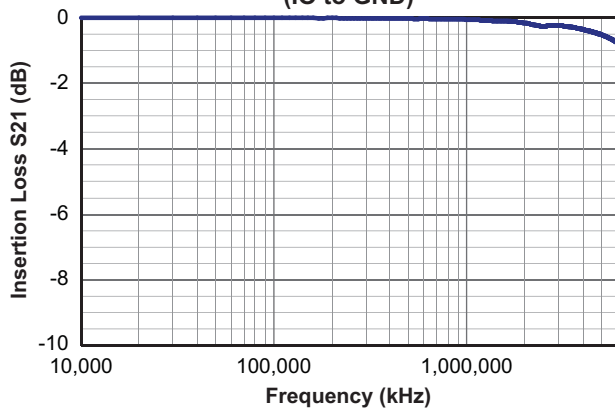
Typical Variation of C_{IN} vs. V_{IN}



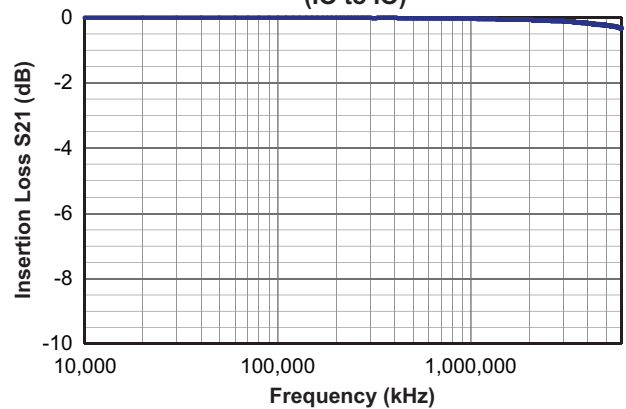
Capacitance vs. Bias Voltage



Insertion Loss vs. Frequency
(IO to GND)

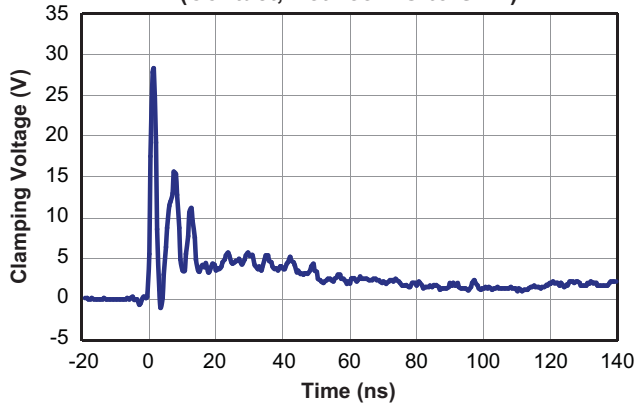


Insertion Loss vs. Frequency
(IO to IO)

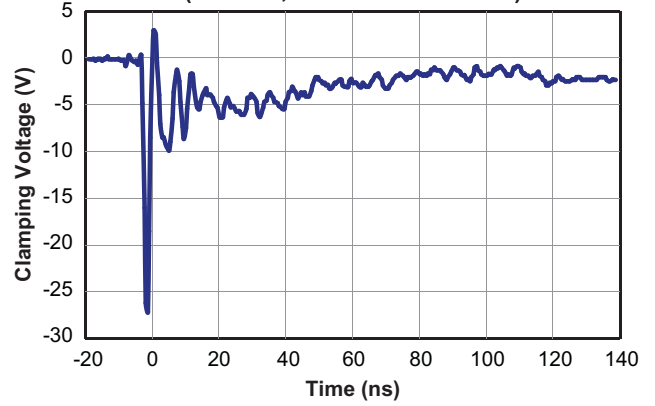


Typical Performance Characteristics (continued)

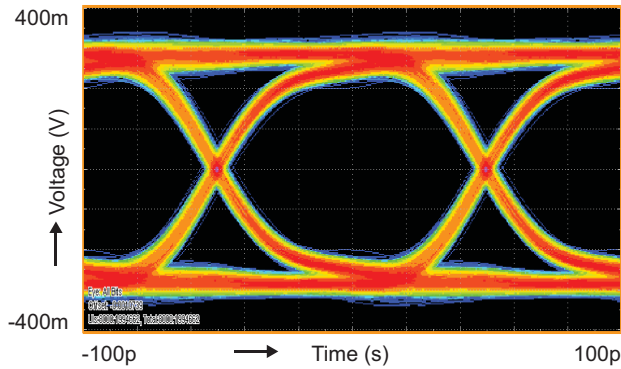
+8kV ESD Clamping Per IEC 61000-4-2
(Contact, Between IO to GND)



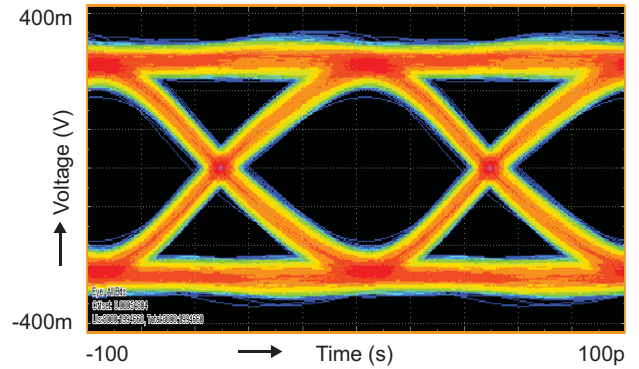
-8kV ESD Clamping Per IEC 61000-4-2
(Contact, Between IO to GND)



USB 3.1 Eye Diagram without TVS (10Gbps)



USB 3.1 Eye Diagram with AOZ8819 (10Gbps)



High Speed PCB Layout Guidelines

Printed circuit board layout is the key to achieving the highest level of surge immunity on power and data lines. The location of the protection devices on the PCB is the simplest and most important design rule to follow. The AOZ8819DI devices should be located as close as possible to the noise source. The AOZ8819DI device should be placed on all data and power lines that enter or exit the PCB at the I/O connector. In most systems, surge pulses occur on data and power lines that enter the PCB through the I/O connector. Placing the AOZ8819DI devices as close as possible to the noise source ensures that a surge voltage will be clamped before the pulse can be coupled into adjacent PCB traces. In addition, the PCB should use the shortest possible traces. A short trace length equates to low impedance, which ensures that the surge energy will be dissipated by the AOZ8819DI device. Long signal traces will act as antennas to receive energy from fields that are produced by the ESD pulse. By keeping line lengths as short as possible, the efficiency of the line to act as an antenna for ESD related fields is reduced. Minimize interconnecting line lengths by placing devices with the most interconnect as close together as possible. The protection circuits should shunt the surge voltage to either the reference or chassis ground. Shunting the surge voltage directly to the IC's signal ground can cause ground bounce. The clamping performance of TVS diodes on a single ground PCB can be improved by minimizing the impedance with

relatively short and wide ground traces. The PCB layout and IC package parasitic inductances can cause significant overshoot to the TVS's clamping voltage. The inductance of the PCB can be reduced by using short trace lengths and multiple layers with separate ground and power planes. One effective method to minimize loop problems is to incorporate a ground plane in the PCB design.

The AOZ8819DI ultra-low capacitance TVS is designed to protect four high speed data transmission lines from transient over-voltages by clamping them to a fixed reference. The low inductance and construction minimizes voltage overshoot during high current surges. When the voltage on the protected line exceeds the reference voltage the internal steering diodes are forward biased, conducting the transient current away from the sensitive circuitry. The AOZ8819DI is designed for ease of PCB layout by allowing the traces to run underneath the device. The pinout of the AOZ8819DI is designed to simply drop onto the IO lines of a High Definition Multimedia Interface (HDMI 1.4/2.0) or USB 3.1 design without having to divert the signal lines that may add more parasitic inductance. Pins 1, 2, 4 and 5 are connected to the internal TVS devices and pins 6, 7, 9 and 10 are no connects. The no connects was done so the package can be securely soldered onto the PCB surface.

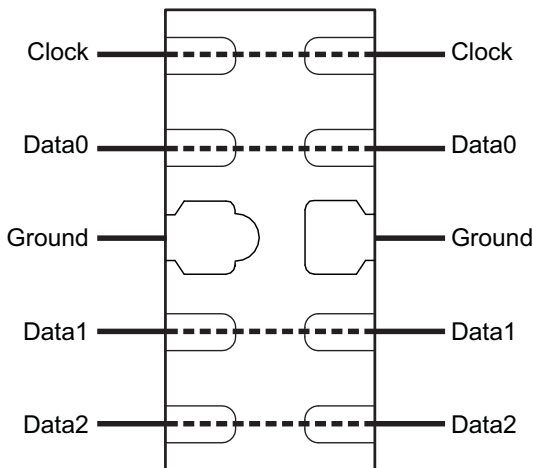


Figure 3. Flow Through Layout for HDMI 1.4/2.0

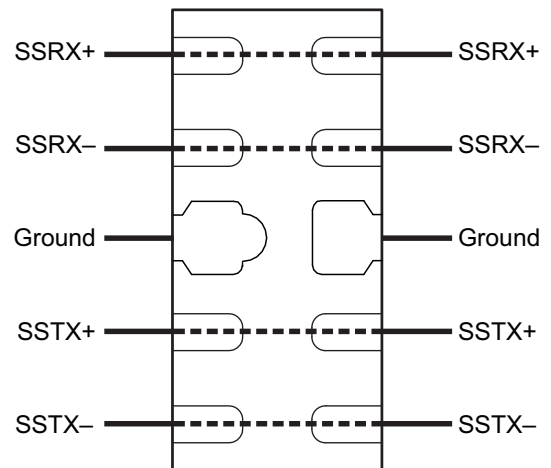
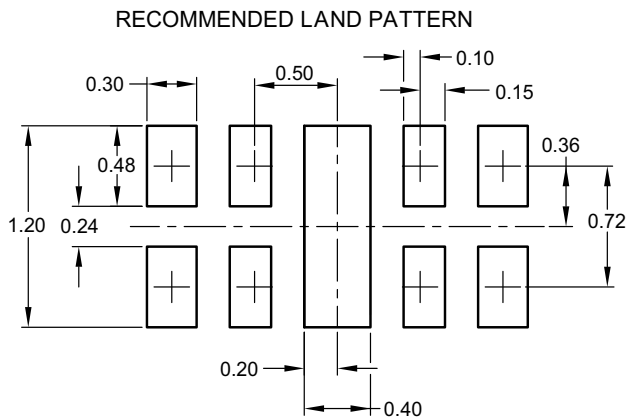
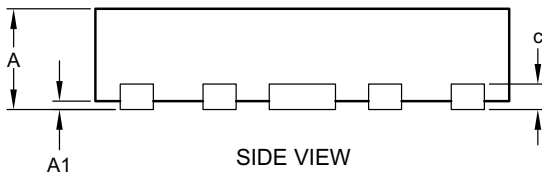
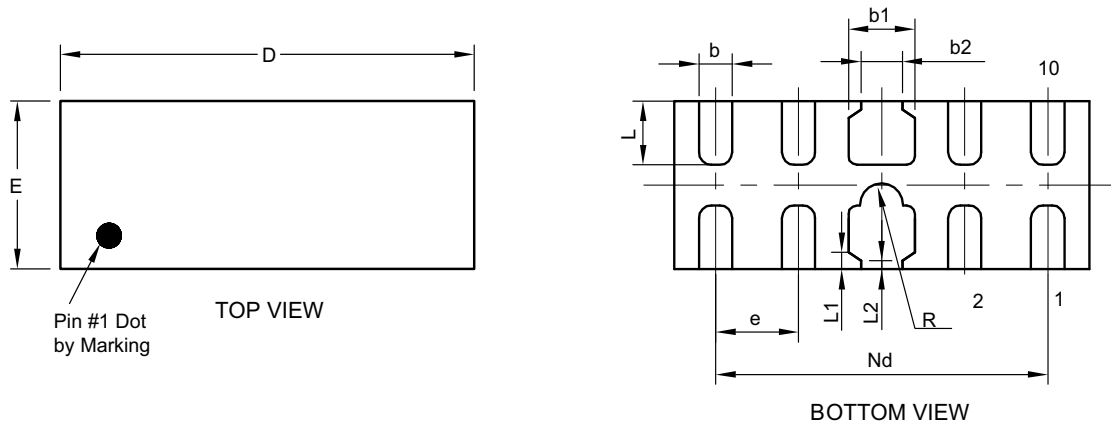


Figure 4. Flow Through Layout for USB 3.1

Package Dimensions, DFN 2.5mm x 1.0mm x 0.5mm, 10L



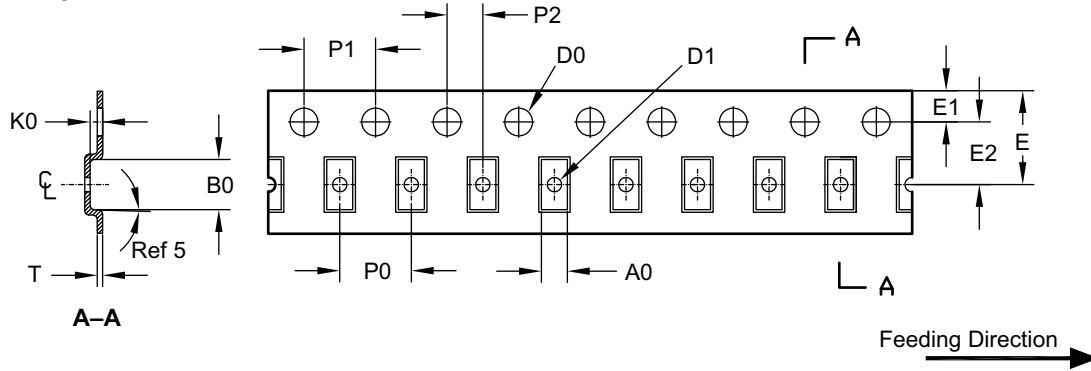
| Symbol | Dimensions in Millimeters | | | Dimensions in Inches | | |
|--------|---------------------------|------|------|----------------------|--------|--------|
| | Min. | Nom. | Max. | Min. | Nom. | Max. |
| A | 0.50 | 0.55 | 0.60 | 0.0196 | 0.0216 | 0.0236 |
| A1 | — | 0.02 | 0.05 | — | 0.0007 | 0.0019 |
| b | 0.15 | 0.20 | 0.25 | 0.0059 | 0.0078 | 0.0098 |
| b1 | 0.35 | 0.40 | 0.45 | 0.0137 | 0.0157 | 0.0177 |
| b2 | 0.20 | 0.25 | 0.30 | 0.0078 | 0.0098 | 0.0118 |
| c | 0.10 | 0.15 | 0.20 | 0.0039 | 0.0059 | 0.0078 |
| D | 2.45 | 2.50 | 2.55 | 0.0964 | 0.0984 | 0.1003 |
| e | 0.50BSC | | | 0.0196BSC | | |
| Nd | 2.00BSC | | | 0.0787BSC | | |
| E | 0.95 | 1.00 | 1.05 | 0.0374 | 0.0393 | 0.0413 |
| L | 0.33 | 0.38 | 0.43 | 0.0129 | 0.0150 | 0.0169 |
| L1 | 0.075REF | | | 0.0030REF | | |
| L2 | 0.05REF | | | 0.0020REF | | |
| R | 0.08 | 0.13 | 0.18 | 0.0031 | 0.0051 | 0.0071 |

Note:

4. Controlling dimension is millimeter. Converted inch dimensions are not necessarily exact.

Tape and Reel Dimensions, DFN 2.5mm x 1.0mm x 0.5mm, 10L

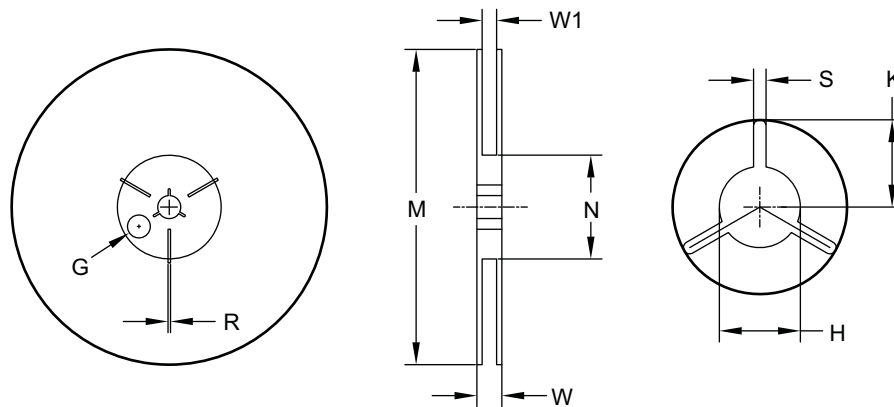
Carrier Tape



UNIT: mm

| Package | A0 | B0 | K0 | D0 | D1 | E | E1 | E2 | P0 | P1 | P2 | T |
|-------------|--------------|--------------|--------------|---------------|---------------|-------------------|-------------|--------------|--------------|-------------|-------------|--------------|
| DFN 2.5x1.0 | 1.12 0.05 | 2.62 0.05 | 0.70 0.05 | ø1.55 0.05 | ø0.55 0.05 | 8.00 +0.3/-0.1 | 1.75 0.1 | 3.50 0.05 | 4.00 0.10 | 4.0 0.10 | 2.0 0.05 | 0.25 0.05 |

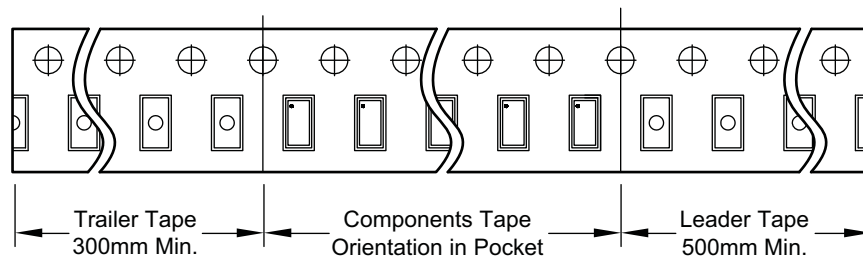
Reel



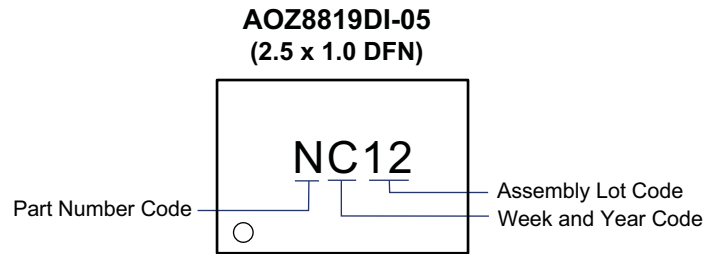
UNIT: mm

| Tape Size | Reel Size | M | N | W | W1 | H | S | K | E | R |
|-----------|-----------|---------------|--------------|--------------|------------|--------------------|--------------|--------------|------|---|
| 8mm | ø178 | ø178.0 1.0 | ø60.0 0.5 | 11.80 0.5 | 9.0 0.5 | ø13.0 +0.5/-0.2 | 2.40 0.10 | 10.25 0.2 | ø9.8 | — |

Leader / Trailer & Orientation



Part Marking



LEGAL DISCLAIMER

Applications or uses as critical components in life support devices or systems are not authorized. AOS does not assume any liability arising out of such applications or uses of its products. AOS reserves the right to make changes to product specifications without notice. It is the responsibility of the customer to evaluate suitability of the product for their intended application. Customer shall comply with applicable legal requirements, including all applicable export control rules, regulations and limitations.

AOS' products are provided subject to AOS' terms and conditions of sale which are set forth at:

http://www.aosmd.com/terms_and_conditions_of_sale

LIFE SUPPORT POLICY

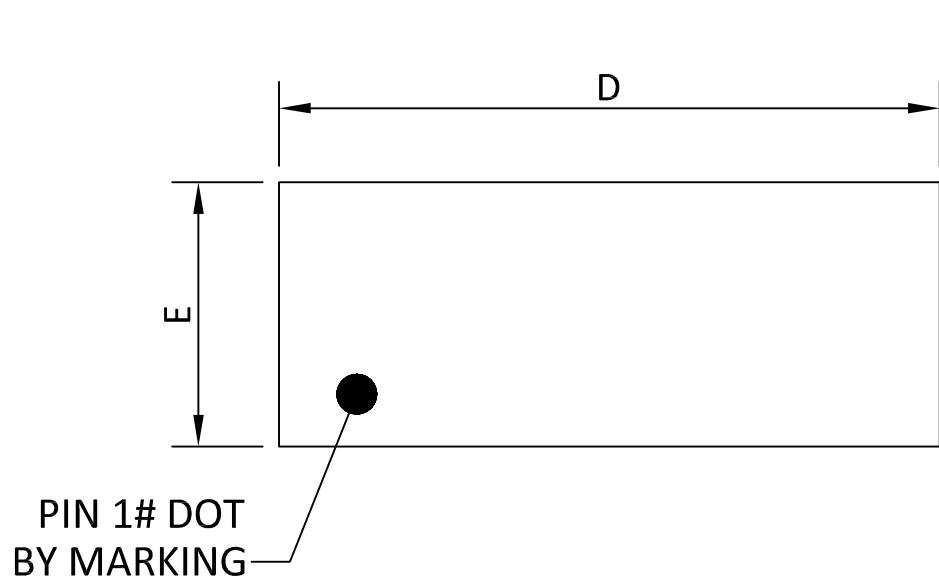
ALPHA AND OMEGA SEMICONDUCTOR PRODUCTS ARE NOT AUTHORIZED FOR USE AS CRITICAL COMPONENTS IN LIFE SUPPORT DEVICES OR SYSTEMS.

As used herein:

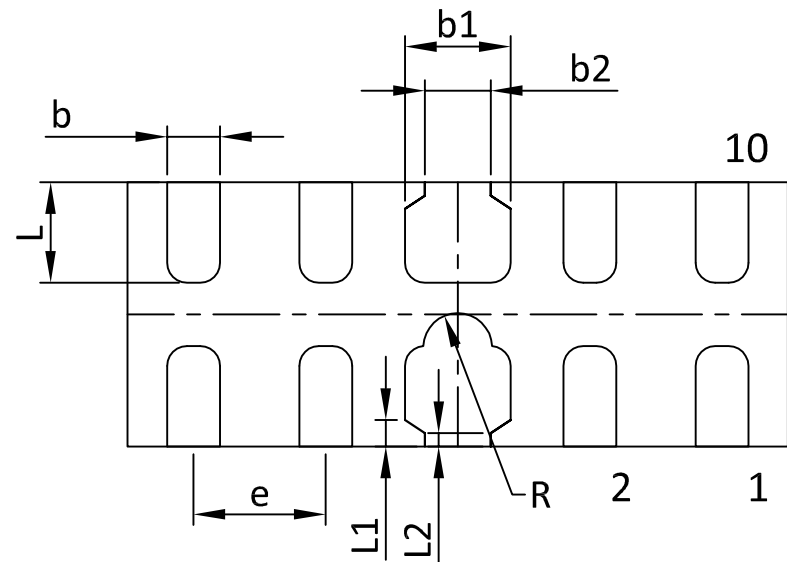
1. Life support devices or systems are devices or systems which, (a) are intended for surgical implant into the body or (b) support or sustain life, and (c) whose failure to perform when properly used in accordance with instructions for use provided in the labeling, can be reasonably expected to result in a significant injury of the user.
2. A critical component in any component of a life support, device, or system whose failure to perform can be reasonably expected to cause the failure of the life support device or system, or to affect its safety or effectiveness.



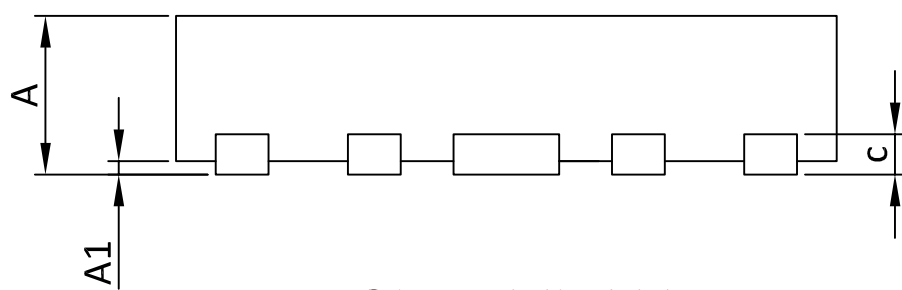
DFN2.5x1.0_10L_EP2_S PACKAGE OUTLINE



TOP VIEW

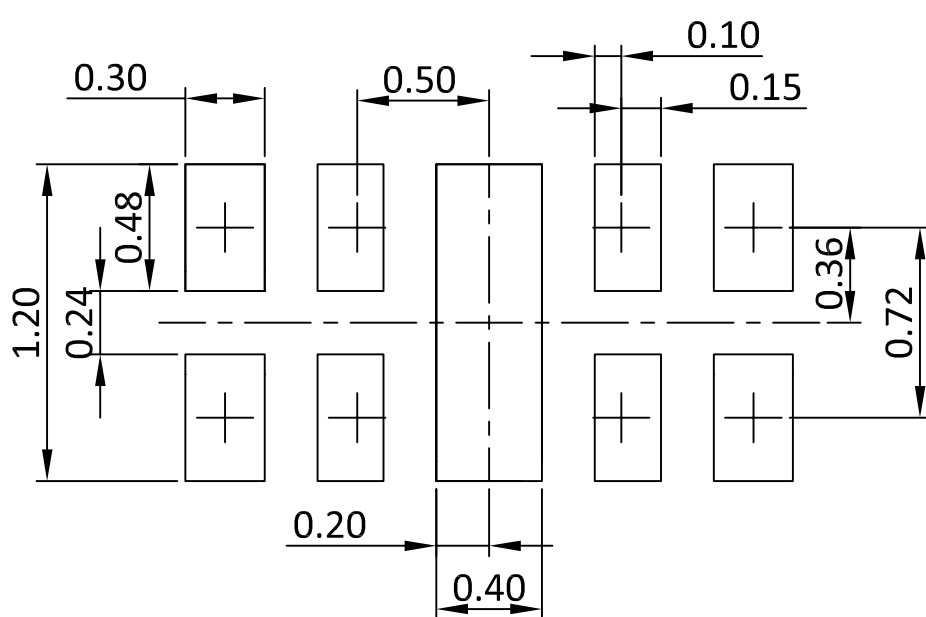


BOTTOM VIEW



SIDE VIEW

RECOMMENDED LAND PATTERN



UNIT: mm

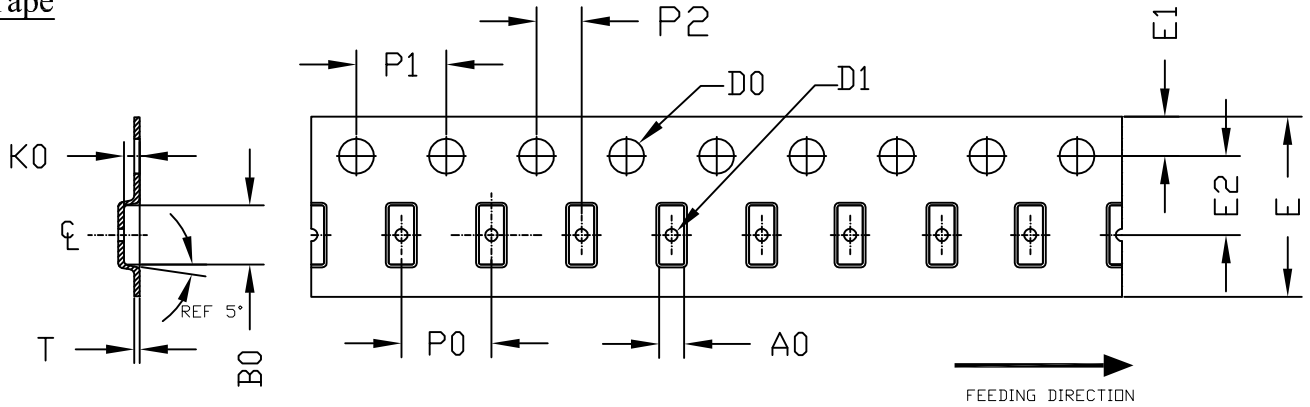
| SYMBOLS | DIMENSION IN MM | | | DIMENSION IN INCHES | | |
|---------|-----------------|------|------|---------------------|--------|--------|
| | MIN | NOM | MAX | MIN | NOM | MAX |
| A | 0.50 | 0.55 | 0.60 | 0.0197 | 0.0217 | 0.0236 |
| A1 | 0.00 | - | 0.05 | 0.0000 | - | 0.0020 |
| b | 0.15 | 0.20 | 0.25 | 0.0059 | 0.0079 | 0.0098 |
| b1 | 0.40 | | | 0.0157 | | |
| b2 | 0.25 | | | 0.0098 | | |
| c | 0.152 Ref. | | | 0.0060 Ref. | | |
| D | 2.45 | 2.50 | 2.55 | 0.0965 | 0.0984 | 0.1004 |
| e | 0.50 BSC | | | 0.0197 BSC | | |
| E | 0.95 | 1.00 | 1.05 | 0.0374 | 0.0394 | 0.0413 |
| L | 0.33 | 0.38 | 0.43 | 0.0130 | 0.0150 | 0.0169 |
| L1 | 0.075 Ref. | | | 0.0030 Ref. | | |
| L2 | 0.050 Ref. | | | 0.0020 Ref. | | |
| R | 0.08 | 0.13 | 0.18 | 0.0031 | 0.0051 | 0.0071 |

NOTE

1. CONTROLLING DIMENSION IS MILLIMETER.
CONVERTED INCH DIMENSIONS ARE NOT NECESSARILY EXACT.



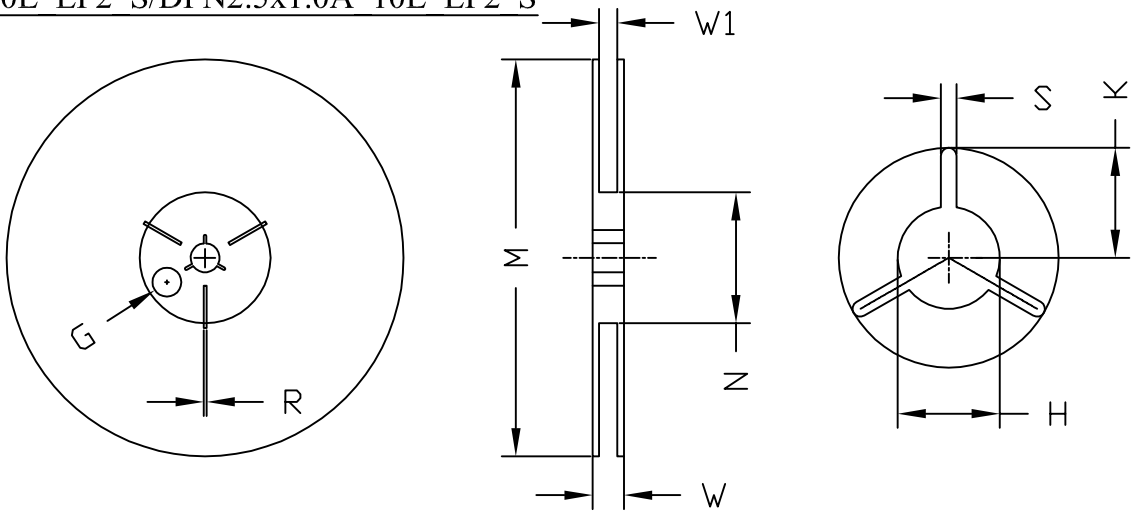
DFN2.5x1.0 10L EP2 S/DFN2.5x1.0A 10L EP2 S
Carrier Tape



UNIT: MM

| PACKAGE | A0 | B0 | K0 | D0 | D1 | E | E1 | E2 | P0 | P1 | P2 | T |
|---------------|---------------|---------------|---------------|----------------|----------------|---------------------------------|--------------|---------------|--------------|--------------|--------------|---------------|
| DFN2.5X1.0(A) | 1.12 ±0.05 | 2.62 ±0.05 | 0.70 ±0.05 | ∅1.55 ±0.05 | ∅0.55 ±0.05 | 8.00 ^{+0.3} -0.1 | 1.75 ±0.1 | 3.50 ±0.05 | 4.00 ±0.1 | 4.0 ±0.10 | 2.0 ±0.05 | 0.25 ±0.05 |

DFN2.5x1.0 10L EP2 S/DFN2.5x1.0A 10L EP2 S
REEL



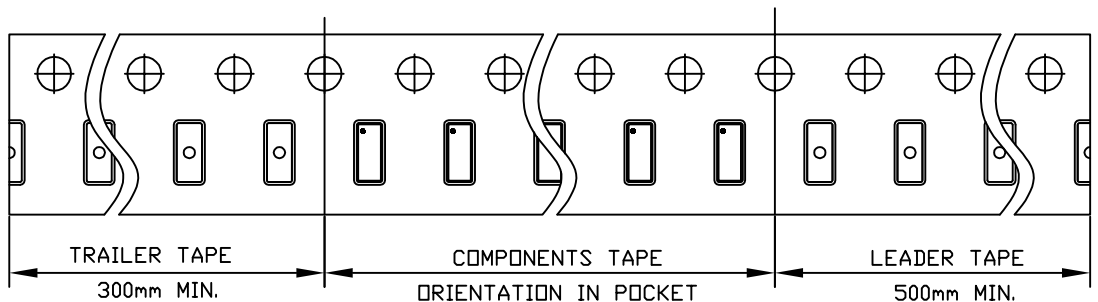
UNIT: MM

| TAPE SIZE | REEL SIZE | M | N | W | W1 | H | S | K | G | R |
|-----------|-----------|----------------|---------------|---------------|-------------|----------------------------------|---------------|---------------|------|-----|
| 8 | ∅178 | ∅178.0 ±1.0 | ∅60.0 ±1.0 | 11.80 ±0.5 | 9.0 ±0.5 | ∅13.0 ^{+0.5} -0.2 | 2.40 ±0.10 | 10.25 ±0.2 | ∅9.8 | --- |

DFN2.5x1.0 10L EP2 S/DFN2.5x1.0A 10L EP2 S TAPE

Leader / Trailer
& Orientation

Unit Per Reel:
3000pcs





AOS Semiconductor Product Reliability Report

AOZ8819DI-05, rev A

Plastic Encapsulated Device

ALPHA & OMEGA Semiconductor, Inc

www.aosmd.com

Nov, 2018

This AOS product reliability report summarizes the qualification result for AOZ8819DI-05. Accelerated environmental tests are performed on a specific sample size, and then followed by electrical test at end point. Review of final electrical test result confirms that AOZ8819DI-05 passes AOS quality and reliability requirements. The released product will be categorized by the process family and be routine monitored for continuously improving the product quality.

I. Reliability Stress Test Summary and Results

| Test Item | Test Condition | Time Point | Total Sample Size | Number of Failures | Reference Standard |
|--------------------------|--|---------------------------|-------------------|--------------------|--------------------|
| HTRB | Temp = 150°C , Vdd=100% of VRWMmax | 168 / 500 / 1000 hours | 462 pcs | 0 | JESD22-A108 |
| Precondition (Note A) | 168hr 85°C / 85%RH + 3 cycle reflow @260°C | - | 1386 pcs | 0 | JESD22-A113 |
| HAST | 130°C , 85%RH, 33.3 psia, Vdd = 80% of VRWMmax | 96 hours | 462 pcs | 0 | JESD22-A110 |
| Autoclave | 121°C , 29.7psia, RH=100% | 96 hours | 462 pcs | 0 | JESD22-A102 |
| Temperature Cycle | -65°C to 150°C , air to air | 250 / 500 cycles | 462 pcs | 0 | JESD22-A104 |

Note: The reliability data presents total of available generic data up to the published date.

Note A: MSL (Moisture Sensitivity Level) 1 based on J-STD-020

II. Reliability Evaluation

FIT rate (per billion): 7.63

MTTF = 14960 years

The presentation of FIT rate for the individual product reliability is restricted by the actual burn-in sample size. Failure Rate Determination is based on JEDEC Standard JESD 85. FIT means one failure per billion hours.

Failure Rate = $\text{Chi}^2 \times 10^9 / [2 (N) (H) (Af)] = 7.63$

MTTF = $10^9 / \text{FIT} = 14960$ years

Chi² = Chi Squared Distribution, determined by the number of failures and confidence interval

N = Total Number of units from burn-in tests

H = Duration of burn-in testing

Af = Acceleration Factor from Test to Use Conditions (Ea = 0.7eV and Tuse = 55°C)

Acceleration Factor [**Af**] = $\text{Exp} [Ea / k (1/Tj u - 1/Tj s)]$

Acceleration Factor ratio list:

| | 55 deg C | 70 deg C | 85 deg C | 100 deg C | 115 deg C | 130 deg C | 150 deg C |
|-----------|------------|-----------|-----------|-----------|-------------|-------------|-----------|
| Af | 259 | 87 | 32 | 13 | 5.64 | 2.59 | 1 |

Tj s = Stressed junction temperature in degree (Kelvin), K = C+273.16

Tj u = The use junction temperature in degree (Kelvin), K = C+273.16

k = Boltzmann's constant, $8.617164 \times 10^{-5} \text{eV} / \text{K}$

Looking for pricing, stock, or lifecycle information?

Click below to explore more details on WIN SOURCE:

- ⊖ [View AOZ8819DI-05 on WIN SOURCE](#)
- ⊖ [Alpha & Omega Semiconductor Inc. Information](#)

Optimize Your Supply Chain with WIN SOURCE Solutions

- ✓ Global Sourcing Solution
- ✓ Obsolete Management
- ✓ Cost Control Management
- ✓ Shortage Management
- ✓ Alternative Solution
- ✓ Excess Inventory Management