

Description

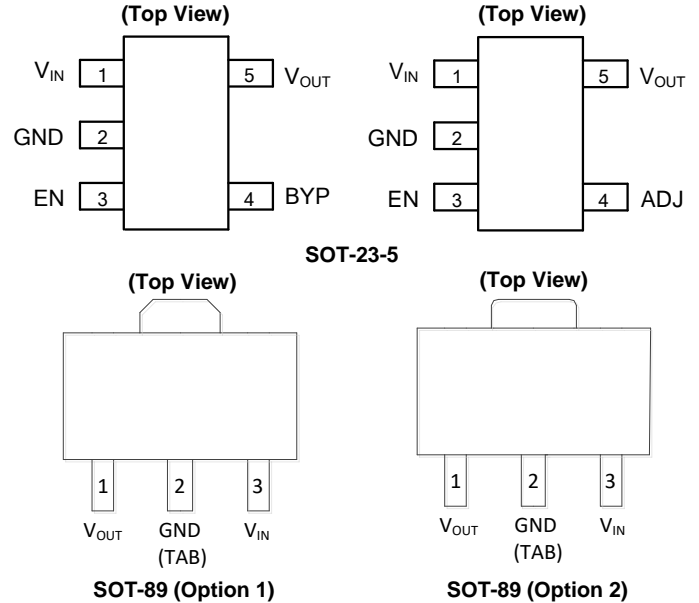
The DIODES™ AP2202 is a 150mA ULDO regulator which provides very low noise, ultra-low dropout voltage (typically 165mV at 150mA), very low standby current (1µA maximum), and excellent power supply ripple rejection (PSRR 75dB at 100Hz). This device is used in battery-powered applications, such as handsets and PDAs; and in noise-sensitive applications, such as RF electronics.

The AP2202 also features logic-compatible enable/shutdown control inputs, a low power shutdown mode for extended battery life, overcurrent protection, over temperature protection, and reversed current protection.

The AP2202 has adjustable 2.5V, 2.6V, 2.8V, 3.0V, and 3.3V versions.

The AP2202 is available in the space-saving SOT-23-5 and SOT-89 packages.

Pin Assignments



Features

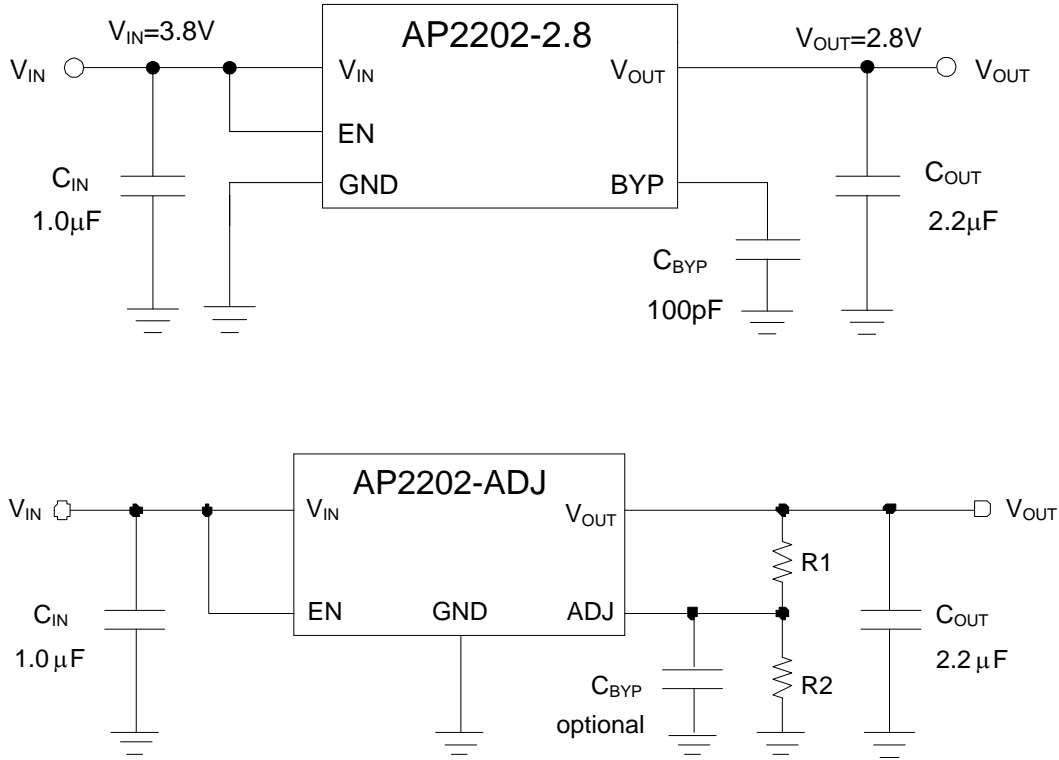
- Up to 150mA Output Current
- Low Standby Current
- Low Dropout Voltage: $V_{DROP} = 165\text{mV}$ at 150mA
- High Output Accuracy: $\pm 1\%$
- Good Ripple Rejection Ability: 75dB at 100Hz and $I_{OUT} = 100\mu\text{A}$
- Tight Load and Line Regulation
- Low Temperature Coefficient
- Overcurrent Protection
- Thermal Protection
- Reverse Current Protection
- Logic-Controlled Enable
- Lead-Free Packages: SOT-23-5, SOT-89
 - **Totally Lead-Free; RoHS Compliant (Notes 1 & 2)**
- Lead-Free Packages, Available in “Green” Molding Compound: SOT-23-5, SOT-89
 - **Totally Lead-Free & Fully RoHS Compliant (Notes 1 & 2)**
 - **Halogen- and Antimony-Free. “Green” Device (Note 3)**
- **For automotive applications requiring specific change control (i.e. parts qualified to AEC-Q100/101/104/200, PPAP capable, and manufactured in IATF 16949 certified facilities), please [contact us](https://www.diodes.com/quality/product-definitions/) or your local Diodes representative. <https://www.diodes.com/quality/product-definitions/>**

Applications

- Cellular phones
- Cordless phones
- Digital still cameras
- Wireless communicators
- PDAs/palmtops
- PC mother boards
- Consumer electronics

Notes: 1. No purposely added lead. Fully EU Directive 2002/95/EC (RoHS), 2011/65/EU (RoHS 2) & 2015/863/EU (RoHS 3) compliant.
 2. See <https://www.diodes.com/quality/lead-free/> for more information about Diodes Incorporated's definitions of Halogen- and Antimony-free, "Green" and Lead-free.
 3. Halogen- and Antimony-free "Green" products are defined as those which contain <900ppm bromine, <900ppm chlorine (<1500ppm total Br + Cl) and <1000ppm antimony compounds.

Typical Applications Circuit (Note 4)



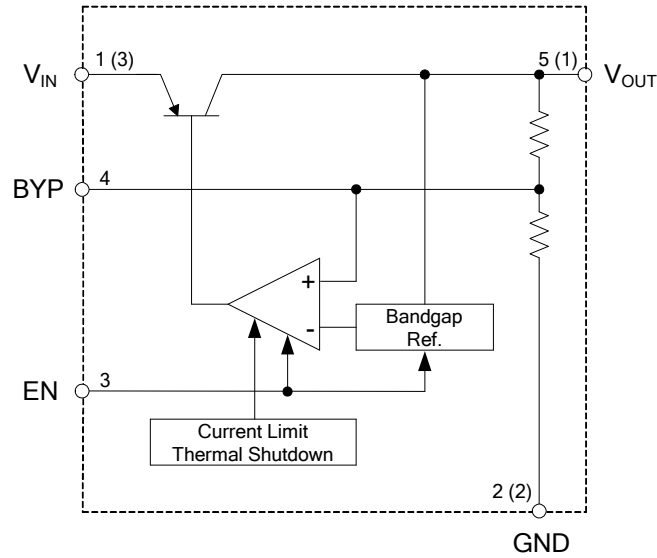
$$V_{OUT} = 1.25 * (1 + R2/R1)$$

Note: 4. Dropout voltage is 165mV when $T_A = +25^\circ\text{C}$. In order to obtain a normal output voltage, $V_{OUT} + 0.165\text{V}$ is the minimum input voltage which will result in a Low PSRR, imposing a bad influence on system. Therefore, the recommended input voltage is $V_{OUT} + 0.5\text{V}$ to 13.2V. For AP2202-2.8 version, its input voltage can be set from 3.3V ($V_{OUT} + 0.5\text{V}$) to 13.2V. For that of ADJ version, any value from $V_{OUT} + 0.5\text{V}$ to 13.2V is available. R1 and R2 must be correctly selected when setting the output voltage. For example, if 3.0V output voltage is required, R1 and R2 can be set to 10k Ω and 14k Ω respectively. For ADJ version, we recommend 2.3V as minimum output voltage.

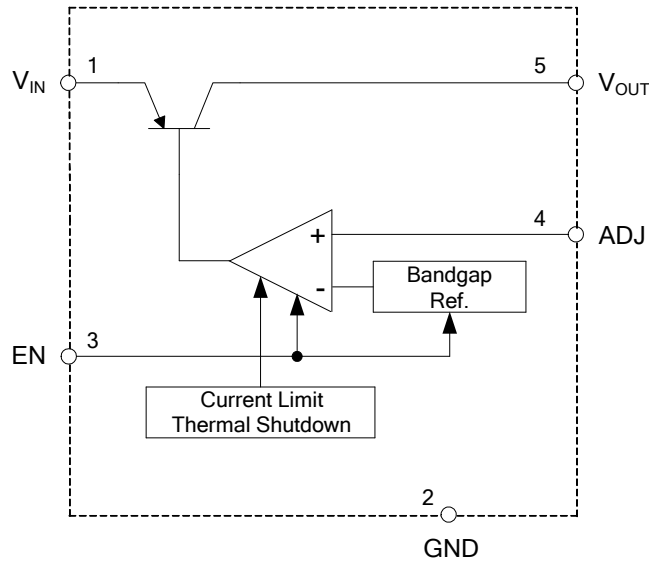
Pin Descriptions

Pin Number		Pin Name	Function
SOT-23-5	SOT-89		
1	3	V_{IN}	Input voltage
2	2	GND	Ground (TAB for SOT-89)
3	—	EN	Enable input: CMOS or TTL compatible input. Logic high = enable, logic low = shutdown
4	—	BYP/ADJ	Bypass capacitor for low noise operation/Adjust output
5	1	V_{OUT}	Regulated output voltage

Functional Block Diagram



A (B)
A for SOT-23-5
B for SOT-89



Absolute Maximum Ratings (Note 5)

Symbol	Parameter	Rating		Unit
V _{IN}	Supply Input Voltage	15		V
V _{EN}	Enable Input Voltage	15		V
P _D	Power Dissipation	Internally Limited (Thermal Protection)		W
T _{LEAD}	Lead Temperature (Soldering, 10sec)	+260		°C
T _J	Junction Temperature	+150		°C
T _{STG}	Storage Temperature	-65 to +150		°C
—	ESD (Machine Model)	200		V
θ _{JA}	Thermal Resistance (No Heatsink)	SOT-23-5	200	°C/W
		SOT-89	165	

Note: 5. Stresses greater than those listed under *Absolute Maximum Ratings* can cause permanent damage to the device. These are stress ratings only, and functional operation of the device at these or any other conditions beyond those indicated under *Recommended Operating Conditions* is not implied. Exposure to *Absolute Maximum Ratings* for extended periods can affect device reliability.

Recommended Operating Conditions

Symbol	Parameter	Min	Max	Unit
V _{IN}	Supply Input Voltage	2.5	13.2	V
V _{EN}	Enable Input Voltage	0	13.2	V
T _J	Operating Junction Temperature	-40	+125	°C

AP2202-ADJ Electrical Characteristics (@ $V_{IN} = V_{OUT} + 1V$, $I_{OUT} = 100\mu A$, $C_{IN} = 1.0\mu F$, $C_{OUT} = 2.2\mu F$, $V_{EN} \geq 2.0V$, $T_J = +25^\circ C$, **Bold** typeface applies over $-40^\circ C \leq T_J \leq +125^\circ C$ (Note 6), unless otherwise specified.)

Symbol	Parameter	Conditions	Min	Typ	Max	Unit
$\Delta V_{OUT}/V_{OUT}$	Output Voltage Accuracy	Variation from Specified V_{OUT}	-1	—	1	%
			-2	—	2	
$\Delta V_{OUT}/\Delta T$	Output Voltage Temperature Coefficient (Note 7)	—	—	120	—	$\mu V/^\circ C$
V_{RLINE}	Line Regulation	$V_{IN} = V_{OUT} + 1V$ to 13.2V	—	0.004	0.012	%V
			—	—	0.05	
V_{RLOAD}	Load Regulation (Note 8)	$I_{OUT} = 0.1mA$ to 150mA	—	0.02	0.2	%
			—	—	0.5	
V_{DROP}	Dropout Voltage (Note 9)	$I_{OUT} = 100\mu A$	—	15	50	mV
			—	—	70	
		$I_{OUT} = 50mA$	—	110	150	
			—	—	230	
		$I_{OUT} = 100mA$	—	140	250	
—	—	300				
I_{STD}	Standby Current	$V_{EN} \leq 0.4V$ (Shutdown)	—	0.01	1	μA
		$V_{EN} \leq 0.18V$ (Shutdown)	—	—	5	
I_{GND}	Ground Pin Current (Note 10)	$V_{EN} \geq 2.0V$, $I_{OUT} = 0\mu A$	—	95	130	μA
			—	—	150	
		$V_{EN} \geq 2.0V$, $I_{OUT} = 100\mu A$	—	98	140	
			—	—	160	
		$V_{EN} \geq 2.0V$, $I_{OUT} = 50mA$	—	350	600	
—	—		800			
$V_{EN} \geq 2.0V$, $I_{OUT} = 100mA$	—	600	1000			
	—	—	1500			
$V_{EN} \geq 2.0V$, $I_{OUT} = 150mA$	—	1300	1900			
	—	—	2500			
PSRR	Ripple Rejection	Frequency = 100Hz, $I_{OUT} = 100\mu A$	—	75	—	dB
I_{LIMIT}	Current Limit	$V_{OUT} = 0V$	—	320	550	mA
e_{no}	Output Noise	$I_{OUT} = 50mA$, $C_{OUT} = 2.2\mu F$ 100pF from BYP to GND	—	260	—	nV/\sqrt{Hz}

AP2202-ADJ Electrical Characteristics (continued) (@ $V_{IN} = V_{OUT} + 1V$, $I_{OUT} = 100\mu A$, $C_{IN} = 1.0\mu F$, $C_{OUT} = 2.2\mu F$, $V_{EN} \geq 2.0V$, $T_J = +25^\circ C$, **Bold** typeface applies over $-40^\circ C \leq T_J \leq +125^\circ C$ (Note 6), unless otherwise specified.)

Symbol	Parameter	Conditions	Min	Typ	Max	Unit
V _{IL}	Enable Input Logic-Low Voltage	Regulator Shutdown	—	—	0.4	V
			—	—	0.18	
V _{IH}	Enable Input Logic-High Voltage	Regulator Enabled	2.0	—	—	V
I _{IL}	Enable Input Logic-Low Current	V _{IL} ≤ 0.4V	—	0.01	1	μA
		V _{IL} ≤ 0.18V	—	—	2	
I _{IH}	Enable Input Logic-High Current	V _{IH} ≥ 2.0V	—	5	20	μA
		V _{IH} ≥ 2.0V	—	—	25	
θ _{JC}	Thermal Resistance	SOT-23-5	—	63.4	—	°C/W
		SOT-89	—	50	—	

- Notes:
- Specifications in bold type are limited to $-40^\circ C \leq T_J \leq +125^\circ C$. Limits over temperature are guaranteed by design, but not tested in production.
 - Output voltage temperature coefficient is defined as the worst case voltage change divided by the total temperature range.
 - Regulation is measured at constant junction temperature using low duty cycle pulse testing. Parts are tested for load regulation in the load range from 0.1mA to 150mA. Changes in output voltage due to heating effects are covered by the thermal regulation specification.
 - Dropout voltage is defined as the input to output differential at which the output voltage drops 1% ($T_J = +25^\circ C$) or 2% ($-40^\circ C \leq T_J \leq +125^\circ C$) below its nominal value measured at 1V differential.
 - Ground pin current is the regulator quiescent current plus pass transistor base current. The total current drawn from the supply is the sum of the load current plus the ground pin current.

AP2202-2.5 Electrical Characteristics (@ $V_{IN} = 3.5V$, $I_{OUT} = 100\mu A$, $C_{IN} = 1.0\mu F$, $C_{OUT} = 2.2\mu F$, $V_{EN} \geq 2.0V$, $T_J = +25^\circ C$, **Bold** typeface applies over $-40^\circ C \leq T_J \leq +125^\circ C$ (Note 6), unless otherwise specified.)

Symbol	Parameter	Conditions	Min	Typ	Max	Unit
$\Delta V_{OUT}/V_{OUT}$	Output Voltage Accuracy	Variation from Specified V_{OUT}	-1	—	1	%
			-2	—	2	
$\Delta V_{OUT}/\Delta T$	Output Voltage Temperature Coefficient (Note 7)	—	—	120	—	$\mu V/^\circ C$
$(\Delta V_{OUT}/V_{OUT})/\Delta T$		—	—	48	—	ppm/ $^\circ C$
V_{RLINE}	Line Regulation	$V_{IN} = 3.5V$ to $13.2V$	—	1	3	mV
			—	—	13	
V_{RLOAD}	Load Regulation (Note 8)	$I_{OUT} = 0.1mA$ to $150mA$	—	1	5	mV
			—	—	13	
V_{DROP}	Dropout Voltage (Note 9)	$I_{OUT} = 100\mu A$	—	15	50	mV
			—	—	70	
		$I_{OUT} = 50mA$	—	110	150	
			—	—	230	
		$I_{OUT} = 100mA$	—	140	250	
		—	—	300		
		$I_{OUT} = 150mA$	—	165	275	
			—	—	350	
I_{STD}	Standby Current	$V_{EN} \leq 0.4V$ (Shutdown)	—	0.01	1	μA
		$V_{EN} \leq 0.18V$ (Shutdown)	—	—	5	
I_{GND}	Ground Pin Current (Note 10)	$V_{EN} \geq 2.0V$, $I_{OUT} = 0\mu A$	—	95	130	μA
			—	—	150	
		$V_{EN} \geq 2.0V$, $I_{OUT} = 100\mu A$	—	98	140	
			—	—	160	
		$V_{EN} \geq 2.0V$, $I_{OUT} = 50mA$	—	350	600	
			—	—	800	
		$V_{EN} \geq 2.0V$, $I_{OUT} = 100mA$	—	600	1000	
			—	—	1500	
		$V_{EN} \geq 2.0V$, $I_{OUT} = 150mA$	—	1300	1900	
			—	—	2500	
PSRR	Ripple Rejection	Frequency = 100Hz, $I_{OUT} = 100\mu A$	—	75	—	dB
I_{LIMIT}	Current Limit	$V_{OUT} = 0V$	—	320	550	mA
e_{no}	Output Noise	$I_{OUT} = 50mA$, $C_{OUT} = 2.2\mu F$ 100pF from BYP to GND	—	260	—	nV/\sqrt{Hz}

AP2202-2.5 Electrical Characteristics (continued) (@ $V_{IN} = 3.5V$, $I_{OUT} = 100\mu A$, $C_{IN} = 1.0\mu F$, $C_{OUT} = 2.2\mu F$, $V_{EN} \geq 2.0V$, $T_J = +25^\circ C$, **Bold** typeface applies over $-40^\circ C \leq T_J \leq +125^\circ C$ (Note 6), unless otherwise specified.)

Symbol	Parameter	Conditions	Min	Typ	Max	Unit
V_{IL}	Enable Input Logic-Low Voltage	Regulator Shutdown	—	—	0.4	V
			—	—	0.18	
V_{IH}	Enable Input Logic-High Voltage	Regulator Enabled	2.0	—	—	V
I_{IL}	Enable Input Logic-Low Current	$V_{IL} \leq 0.4V$	—	0.01	1	μA
		$V_{IL} \leq 0.18V$	—	—	2	
I_{IH}	Enable Input Logic-High Current	$V_{IH} \geq 2.0V$	—	5	20	μA
		$V_{IH} \geq 2.0V$	—	—	25	
θ_{JC}	Thermal Resistance	SOT-23-5	—	63.4	—	$^\circ C/W$
		SOT-89	—	50	—	

- Notes:
6. Specifications in bold type are limited to $-40^\circ C \leq T_J \leq +125^\circ C$. Limits over temperature are guaranteed by design, but not tested in production.
 7. Output voltage temperature coefficient is defined as the worst case voltage change divided by the total temperature range.
 8. Regulation is measured at constant junction temperature using low duty cycle pulse testing. Parts are tested for load regulation in the load range from 0.1mA to 150mA. Changes in output voltage due to heating effects are covered by the thermal regulation specification.
 9. Dropout voltage is defined as the input to output differential at which the output voltage drops 1% ($T_J = +25^\circ C$) or 2% ($-40^\circ C \leq T_J \leq +125^\circ C$) below its nominal value measured at 1V differential.
 10. Ground pin current is the regulator quiescent current plus pass transistor base current. The total current drawn from the supply is the sum of the load current plus the ground pin current.

AP2202-2.6 Electrical Characteristics (@ $V_{IN} = 3.6V$, $I_{OUT} = 100\mu A$, $C_{IN} = 1.0\mu F$, $C_{OUT} = 2.2\mu F$, $V_{EN} \geq 2.0V$, $T_J = +25^\circ C$, **Bold** typeface applies over $-40^\circ C \leq T_J \leq +125^\circ C$ (Note 6), unless otherwise specified.)

Symbol	Parameter	Conditions	Min	Typ	Max	Unit
$\Delta V_{OUT}/V_{OUT}$	Output Voltage Accuracy	Variation from Specified V_{OUT}	-1	—	1	%
			-2	—	2	
$\Delta V_{OUT}/\Delta T$	Output Voltage Temperature Coefficient (Note 7)	—	—	120	—	$\mu V/^\circ C$
$(\Delta V_{OUT}/V_{OUT})/\Delta T$		—	—	46	—	ppm/ $^\circ C$
V_{RLINE}	Line Regulation	$V_{IN} = 3.6V$ to $13.2V$	—	1	3	mV
			—	—	13	
V_{RLOAD}	Load Regulation (Note 8)	$I_{OUT} = 0.1mA$ to $150mA$	—	1	6	mV
			—	—	14	
V_{DROP}	Dropout Voltage (Note 9)	$I_{OUT} = 100\mu A$	—	15	50	mV
			—	—	70	
		$I_{OUT} = 50mA$	—	110	150	
			—	—	230	
		$I_{OUT} = 100mA$	—	140	250	
		—	—	300		
		$I_{OUT} = 150mA$	—	165	275	
			—	—	350	
I_{STD}	Standby Current	$V_{EN} \leq 0.4V$ (Shutdown)	—	0.01	1	μA
		$V_{EN} \leq 0.18V$ (Shutdown)	—	—	5	
I_{GND}	Ground Pin Current (Note 10)	$V_{EN} \geq 2.0V$, $I_{OUT} = 0\mu A$	—	95	130	μA
			—	—	150	
		$V_{EN} \geq 2.0V$, $I_{OUT} = 100\mu A$	—	98	140	
			—	—	160	
		$V_{EN} \geq 2.0V$, $I_{OUT} = 50mA$	—	350	600	
			—	—	800	
		$V_{EN} \geq 2.0V$, $I_{OUT} = 100mA$	—	600	1000	
			—	—	1500	
		$V_{EN} \geq 2.0V$, $I_{OUT} = 150mA$	—	1300	1900	
			—	—	2500	
PSRR	Ripple Rejection	Frequency = 100Hz, $I_{OUT} = 100\mu A$	—	75	—	dB
I_{LIMIT}	Current Limit	$V_{OUT} = 0V$	—	320	550	mA
e_{no}	Output Noise	$I_{OUT} = 50mA$, $C_{OUT} = 2.2\mu F$ 100pF from BYP to GND	—	260	—	nV/\sqrt{Hz}

AP2202-2.6 Electrical Characteristics (continued) (@ $V_{IN} = 3.6V$, $I_{OUT} = 100\mu A$, $C_{IN} = 1.0\mu F$, $C_{OUT} = 2.2\mu F$, $V_{EN} \geq 2.0V$, $T_J = +25^\circ C$, **Bold** typeface applies over $-40^\circ C \leq T_J \leq +125^\circ C$ (Note 6), unless otherwise specified.)

Symbol	Parameter	Conditions	Min	Typ	Max	Unit
V_{IL}	Enable Input Logic-Low Voltage	Regulator Shutdown	—	—	0.4	V
			—	—	0.18	
V_{IH}	Enable Input Logic-High Voltage	Regulator Enabled	2.0	—	—	V
I_{IL}	Enable Input Logic-Low Current	$V_{IL} \leq 0.4V$	—	0.01	1	μA
		$V_{IL} \leq 0.18V$	—	—	2	
I_{IH}	Enable Input Logic-High Current	$V_{IH} \geq 2.0V$	—	5	20	μA
		$V_{IH} \geq 2.0V$	—	—	25	
θ_{JC}	Thermal Resistance	SOT-23-5	—	63.4	—	$^\circ C/W$
		SOT-89	—	50	—	

- Notes:
- Specifications in bold type are limited to $-40^\circ C \leq T_J \leq +125^\circ C$. Limits over temperature are guaranteed by design, but not tested in production.
 - Output voltage temperature coefficient is defined as the worst case voltage change divided by the total temperature range.
 - Regulation is measured at constant junction temperature using low duty cycle pulse testing. Parts are tested for load regulation in the load range from 0.1mA to 150mA. Changes in output voltage due to heating effects are covered by the thermal regulation specification.
 - Dropout voltage is defined as the input to output differential at which the output voltage drops 1% ($T_J = +25^\circ C$) or 2% ($-40^\circ C \leq T_J \leq +125^\circ C$) below its nominal value measured at 1V differential.
 - Ground pin current is the regulator quiescent current plus pass transistor base current. The total current drawn from the supply is the sum of the load current plus the ground pin current.

AP2202-2.8 Electrical Characteristics (@ $V_{IN} = 3.8V$, $I_{OUT} = 100\mu A$, $C_{IN} = 1.0\mu F$, $C_{OUT} = 2.2\mu F$, $V_{EN} \geq 2.0V$, $T_J = +25^\circ C$, **Bold** typeface applies over $-40^\circ C \leq T_J \leq +125^\circ C$ (Note 6), unless otherwise specified.)

Symbol	Parameter	Conditions	Min	Typ	Max	Unit
$\Delta V_{OUT}/V_{OUT}$	Output Voltage Accuracy	Variation from Specified V_{OUT}	-1	—	1	%
			-2	—	2	
$\Delta V_{OUT}/\Delta T$	Output Voltage Temperature Coefficient (Note 7)	—	—	120	—	$\mu V/^\circ C$
$(\Delta V_{OUT}/V_{OUT})/\Delta T$		—	—	42.8	—	ppm/ $^\circ C$
V_{RLINE}	Line Regulation	$V_{IN} = 3.8V$ to $13.2V$	—	1	4	mV
			—	—	14	
V_{RLOAD}	Load Regulation (Note 8)	$I_{OUT} = 0.1mA$ to $150mA$	—	1	6	mV
			—	—	14	
V_{DROP}	Dropout Voltage (Note 9)	$I_{OUT} = 100\mu A$	—	15	50	mV
			—	—	70	
		$I_{OUT} = 50mA$	—	110	150	
			—	—	230	
		$I_{OUT} = 100mA$	—	140	250	
		—	—	300		
		$I_{OUT} = 150mA$	—	165	275	
			—	—	350	
I_{STD}	Standby Current	$V_{EN} \leq 0.4V$ (Shutdown)	—	0.01	1	μA
		$V_{EN} \leq 0.18V$ (Shutdown)	—	—	5	
I_{GND}	Ground Pin Current (Note 10)	$V_{EN} \geq 2.0V$, $I_{OUT} = 0\mu A$	—	95	130	μA
			—	—	150	
		$V_{EN} \geq 2.0V$, $I_{OUT} = 100\mu A$	—	98	140	
			—	—	160	
		$V_{EN} \geq 2.0V$, $I_{OUT} = 50mA$	—	350	600	
			—	—	800	
		$V_{EN} \geq 2.0V$, $I_{OUT} = 100mA$	—	600	1000	
			—	—	1500	
		$V_{EN} \geq 2.0V$, $I_{OUT} = 150mA$	—	1300	1900	
			—	—	2500	
PSRR	Ripple Rejection	Frequency = 100Hz, $I_{OUT} = 100\mu A$	—	75	—	dB
I_{LIMIT}	Current Limit	$V_{OUT} = 0V$	—	320	550	mA
e_{no}	Output Noise	$I_{OUT} = 50mA$, $C_{OUT} = 2.2\mu F$ 100pF from BYP to GND	—	260	—	nV/\sqrt{Hz}

AP2202-2.8 Electrical Characteristics (continued) (@ $V_{IN} = 3.8V$, $I_{OUT} = 100\mu A$, $C_{IN} = 1.0\mu F$, $C_{OUT} = 2.2\mu F$, $V_{EN} \geq 2.0V$, $T_J = +25^\circ C$, **Bold** typeface applies over $-40^\circ C \leq T_J \leq +125^\circ C$ (Note 6), unless otherwise specified.)

Symbol	Parameter	Conditions	Min	Typ	Max	Unit
V_{IL}	Enable Input Logic-Low Voltage	Regulator Shutdown	—	—	0.4	V
			—	—	0.18	
V_{IH}	Enable Input Logic-High Voltage	Regulator Enabled	2.0	—	—	V
I_{IL}	Enable Input Logic-Low Current	$V_{IL} \leq 0.4V$	—	0.01	1	μA
		$V_{IL} \leq 0.18V$	—	—	2	
I_{IH}	Enable Input Logic-High Current	$V_{IH} \geq 2.0V$	—	5	20	μA
		$V_{IH} \geq 2.0V$	—	—	25	
θ_{JC}	Thermal Resistance	SOT-23-5	—	63.4	—	$^\circ C/W$
		SOT-89	—	50	—	

- Notes:
- Specifications in bold type are limited to $-40^\circ C \leq T_J \leq +125^\circ C$. Limits over temperature are guaranteed by design, but not tested in production.
 - Output voltage temperature coefficient is defined as the worst case voltage change divided by the total temperature range.
 - Regulation is measured at constant junction temperature using low duty cycle pulse testing. Parts are tested for load regulation in the load range from 0.1mA to 150mA. Changes in output voltage due to heating effects are covered by the thermal regulation specification.
 - Dropout voltage is defined as the input to output differential at which the output voltage drops 1% ($T_J = +25^\circ C$) or 2% ($-40^\circ C \leq T_J \leq +125^\circ C$) below its nominal value measured at 1V differential.
 - Ground pin current is the regulator quiescent current plus pass transistor base current. The total current drawn from the supply is the sum of the load current plus the ground pin current.

AP2202-3.0 Electrical Characteristics (@ $V_{IN} = 4V$, $I_{OUT} = 100\mu A$, $C_{IN} = 1.0\mu F$, $C_{OUT} = 2.2\mu F$, $V_{EN} \geq 2.0V$, $T_J = +25^\circ C$, **Bold** typeface applies over $-40^\circ C \leq T_J \leq +125^\circ C$ (Note 6), unless otherwise specified.)

Symbol	Parameter	Conditions	Min	Typ	Max	Unit
$\Delta V_{OUT}/V_{OUT}$	Output Voltage Accuracy	Variation from Specified V_{OUT}	-1	—	1	%
			-2	—	2	
$\Delta V_{OUT}/\Delta T$	Output Voltage Temperature Coefficient (Note 7)	—	—	120	—	$\mu V/^\circ C$
$(\Delta V_{OUT}/V_{OUT})/\Delta T$		—	—	40	—	ppm/ $^\circ C$
V_{RLINE}	Line Regulation	$V_{IN} = 4V$ to $13.2V$	—	1	4	mV
			—	—	14	
V_{RLOAD}	Load Regulation (Note 8)	$I_{OUT} = 0.1mA$ to $150mA$	—	1	7	mV
			—	—	15	
V_{DROP}	Dropout Voltage (Note 9)	$I_{OUT} = 100\mu A$	—	15	50	mV
			—	—	70	
		$I_{OUT} = 50mA$	—	110	150	
			—	—	230	
		$I_{OUT} = 100mA$	—	140	250	
		—	—	300		
		$I_{OUT} = 150mA$	—	165	275	
			—	—	350	
I_{STD}	Standby Current	$V_{EN} \leq 0.4V$ (Shutdown)	—	0.01	1	μA
		$V_{EN} \leq 0.18V$ (Shutdown)	—	—	5	
I_{GND}	Ground Pin Current (Note 10)	$V_{EN} \geq 2.0V$, $I_{OUT} = 0\mu A$	—	95	130	μA
			—	—	150	
		$V_{EN} \geq 2.0V$, $I_{OUT} = 100\mu A$	—	98	140	
			—	—	160	
		$V_{EN} \geq 2.0V$, $I_{OUT} = 50mA$	—	350	600	
			—	—	800	
		$V_{EN} \geq 2.0V$, $I_{OUT} = 100mA$	—	600	1000	
			—	—	1500	
		$V_{EN} \geq 2.0V$, $I_{OUT} = 150mA$	—	1300	1900	
			—	—	2500	
PSRR	Ripple Rejection	Frequency = 100Hz, $I_{OUT} = 100\mu A$	—	75	—	dB
I_{LIMIT}	Current Limit	$V_{OUT} = 0V$	—	320	550	mA
e_{no}	Output Noise	$I_{OUT} = 50mA$, $C_{OUT} = 2.2\mu F$ 100pF from BYP to GND	—	260	—	nV/\sqrt{Hz}

AP2202-3.0 Electrical Characteristics (continued) (@ $V_{IN} = 4V$, $I_{OUT} = 100\mu A$, $C_{IN} = 1.0\mu F$, $C_{OUT} = 2.2\mu F$, $V_{EN} \geq 2.0V$, $T_J = +25^\circ C$, **Bold** typeface applies over $-40^\circ C \leq T_J \leq +125^\circ C$ (Note 6), unless otherwise specified.)

Symbol	Parameter	Conditions	Min	Typ	Max	Unit
V_{IL}	Enable Input Logic-Low Voltage	Regulator Shutdown	—	—	0.4	V
			—	—	0.18	
V_{IH}	Enable Input Logic-High Voltage	Regulator Enabled	2.0	—	—	V
I_{IL}	Enable Input Logic-Low Current	$V_{IL} \leq 0.4V$	—	0.01	1	μA
		$V_{IL} \leq 0.18V$	—	—	2	
I_{IH}	Enable Input Logic-High Current	$V_{IH} \geq 2.0V$	—	5	20	μA
		$V_{IH} \geq 2.0V$	—	—	25	
θ_{JC}	Thermal Resistance	SOT-23-5	—	63.4	—	$^\circ C/W$
		SOT-89	—	50	—	

- Notes:
6. Specifications in bold type are limited to $-40^\circ C \leq T_J \leq +125^\circ C$. Limits over temperature are guaranteed by design, but not tested in production.
 7. Output voltage temperature coefficient is defined as the worst case voltage change divided by the total temperature range.
 8. Regulation is measured at constant junction temperature using low duty cycle pulse testing. Parts are tested for load regulation in the load range from 0.1mA to 150mA. Changes in output voltage due to heating effects are covered by the thermal regulation specification.
 9. Dropout voltage is defined as the input to output differential at which the output voltage drops 1% ($T_J = +25^\circ C$) or 2% ($-40^\circ C \leq T_J \leq +125^\circ C$) below its nominal value measured at 1V differential.
 10. Ground pin current is the regulator quiescent current plus pass transistor base current. The total current drawn from the supply is the sum of the load current plus the ground pin current.

AP2202-3.3 Electrical Characteristics (@ $V_{IN} = 4.3V$, $I_{OUT} = 100\mu A$, $C_{IN} = 1.0\mu F$, $C_{OUT} = 2.2\mu F$, $V_{EN} \geq 2.0V$, $T_J = +25^\circ C$, **Bold** typeface applies over $-40^\circ C \leq T_J \leq +125^\circ C$ (Note 6), unless otherwise specified.)

Symbol	Parameter	Conditions	Min	Typ	Max	Unit
$\Delta V_{OUT}/V_{OUT}$	Output Voltage Accuracy	Variation from Specified V_{OUT}	-1	—	1	%
			-2	—	2	
$\Delta V_{OUT}/\Delta T$	Output Voltage Temperature Coefficient (Note 7)	—	—	120	—	$\mu V/^\circ C$
$(\Delta V_{OUT}/V_{OUT})/\Delta T$		—	—	36.3	—	ppm/ $^\circ C$
V_{RLINE}	Line Regulation	$V_{IN} = 4.3V$ to $13.2V$	—	1	5	mV
			—	—	15	
V_{RLOAD}	Load Regulation (Note 8)	$I_{OUT} = 0.1mA$ to $150mA$	—	1	8	mV
			—	—	17	
V_{DROP}	Dropout Voltage (Note 9)	$I_{OUT} = 100\mu A$	—	15	50	mV
			—	—	70	
		$I_{OUT} = 50mA$	—	110	150	
			—	—	230	
		$I_{OUT} = 100mA$	—	140	250	
		—	—	300		
		$I_{OUT} = 150mA$	—	165	275	
			—	—	350	
I_{STD}	Standby Current	$V_{EN} \leq 0.4V$ (Shutdown)	—	0.01	1	μA
		$V_{EN} \leq 0.18V$ (Shutdown)	—	—	5	
I_{GND}	Ground Pin Current (Note 10)	$V_{EN} \geq 2.0V$, $I_{OUT} = 0\mu A$	—	95	130	μA
			—	—	150	
		$V_{EN} \geq 2.0V$, $I_{OUT} = 100\mu A$	—	98	140	
			—	—	160	
		$V_{EN} \geq 2.0V$, $I_{OUT} = 50mA$	—	350	600	
			—	—	800	
		$V_{EN} \geq 2.0V$, $I_{OUT} = 100mA$	—	600	1000	
			—	—	1500	
		$V_{EN} \geq 2.0V$, $I_{OUT} = 150mA$	—	1300	1900	
			—	—	2500	
PSRR	Ripple Rejection	Frequency = 100Hz, $I_{OUT} = 100\mu A$	—	75	—	dB
I_{LIMIT}	Current Limit	$V_{OUT} = 0V$	—	320	550	mA
e_{no}	Output Noise	$I_{OUT} = 50mA$, $C_{OUT} = 2.2\mu F$ 100pF from BYP to GND	—	260	—	nV/\sqrt{Hz}

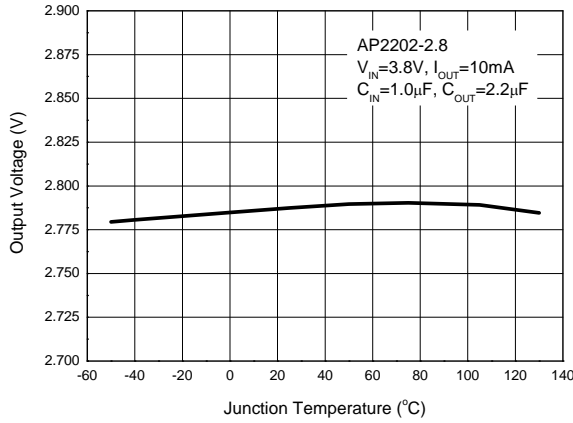
AP2202-3.3 Electrical Characteristics (continued) (@ $V_{IN} = 4.3V$, $I_{OUT} = 100\mu A$, $C_{IN} = 1.0\mu F$, $C_{OUT} = 2.2\mu F$, $V_{EN} \geq 2.0V$, $T_J = +25^\circ C$, **Bold** typeface applies over $-40^\circ C \leq T_J \leq +125^\circ C$ (Note 6), unless otherwise specified.)

Symbol	Parameter	Conditions	Min	Typ	Max	Unit
V_{IL}	Enable Input Logic-Low Voltage	Regulator Shutdown	—	—	0.4	V
			—	—	0.18	
V_{IH}	Enable Input Logic-High Voltage	Regulator Enabled	2.0	—	—	V
I_{IL}	Enable Input Logic-Low Current	$V_{IL} \leq 0.4V$	—	0.01	1	μA
		$V_{IL} \leq 0.18V$	—	—	2	
I_{IH}	Enable Input Logic-High Current	$V_{IH} \geq 2.0V$	—	5	20	μA
		$V_{IH} \geq 2.0V$	—	—	25	
θ_{JC}	Thermal Resistance	SOT-23-5	—	63.4	—	$^\circ C/W$
		SOT-89	—	50	—	

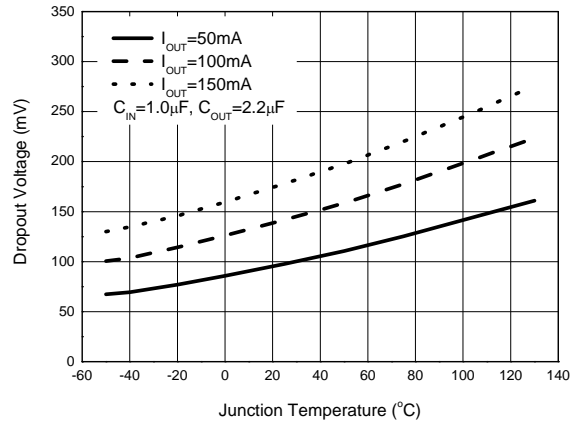
- Notes:
- Specifications in bold type are limited to $-40^\circ C \leq T_J \leq +125^\circ C$. Limits over temperature are guaranteed by design, but not tested in production.
 - Output voltage temperature coefficient is defined as the worst case voltage change divided by the total temperature range.
 - Regulation is measured at constant junction temperature using low duty cycle pulse testing. Parts are tested for load regulation in the load range from 0.1mA to 150mA. Changes in output voltage due to heating effects are covered by the thermal regulation specification.
 - Dropout voltage is defined as the input to output differential at which the output voltage drops 1% ($T_J = +25^\circ C$) or 2% ($-40^\circ C \leq T_J \leq +125^\circ C$) below its nominal value measured at 1V differential.
 - Ground pin current is the regulator quiescent current plus pass transistor base current. The total current drawn from the supply is the sum of the load current plus the ground pin current.

Performance Characteristics

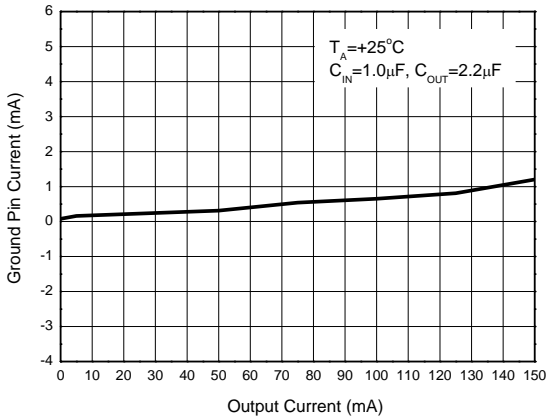
Output Voltage vs. Junction Temperature



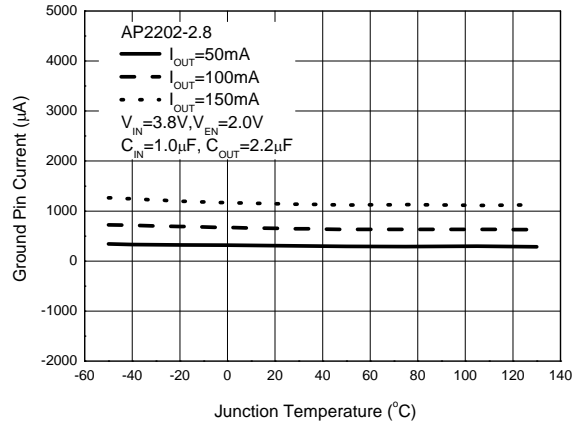
Dropout Voltage vs. Junction Temperature



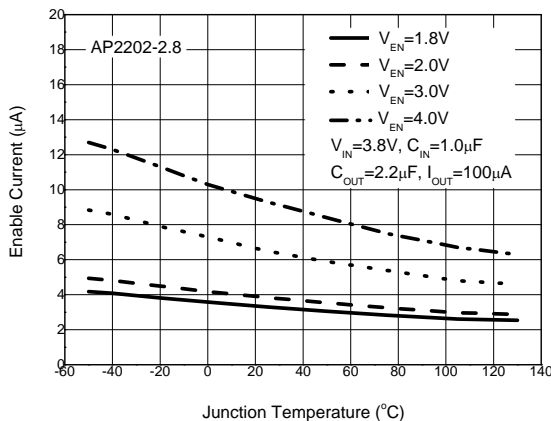
Ground Pin Current vs. Output Current



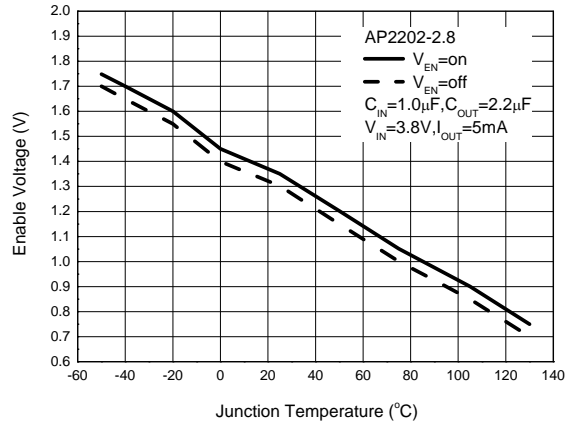
Ground Pin Current vs. Junction Temperature



Enable Current vs. Junction Temperature

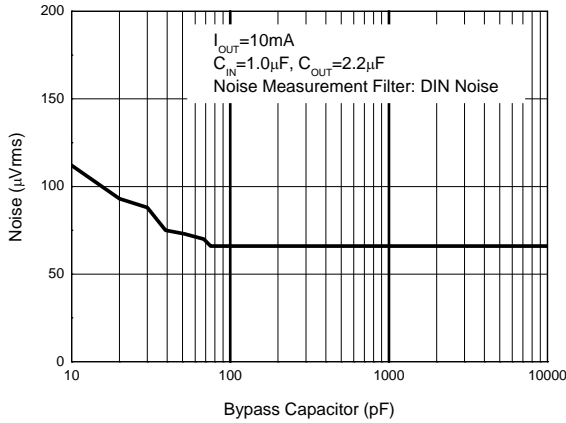


Enable Voltage vs. Junction Temperature

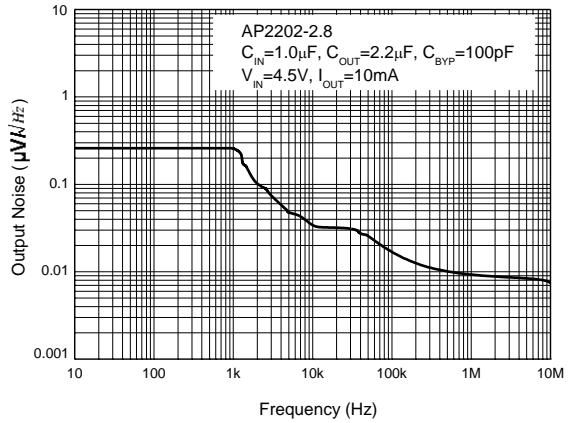


Performance Characteristics (continued)

Noise vs. Bypass Capacitor

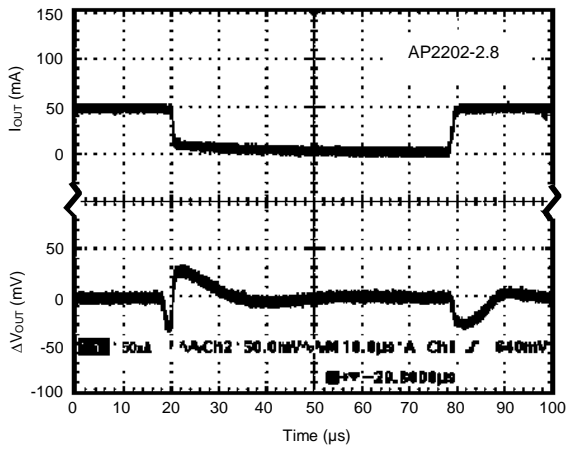


Output Noise vs. Frequency



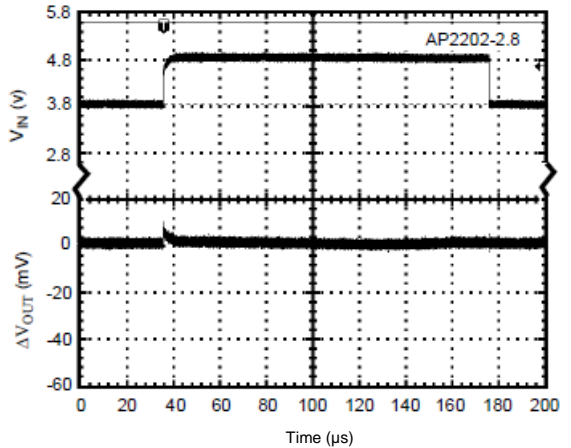
Load Transient

(Conditions: $V_{IN}=3.8V$, $C_{BYP}=100pF$, $V_{EN}=2V$, $I_{OUT}=5mA$ to $50mA$, $C_{IN}=1.0µF$, $C_{OUT}=2.2µF$)



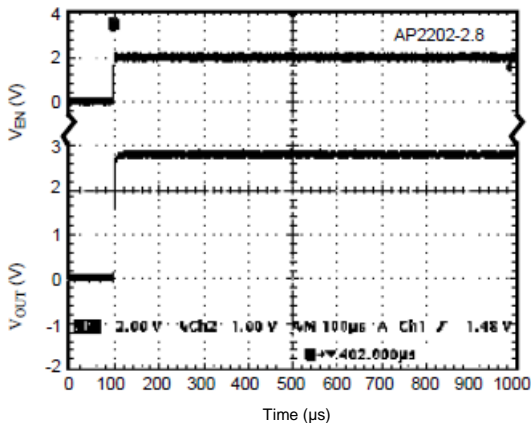
Line Transient

(Conditions: $V_{IN}=3.8V$ to $4.8V$, $V_{EN}=2V$, $I_{OUT}=100µA$, $C_{BYP}=100pF$, $C_{OUT}=10µF$)

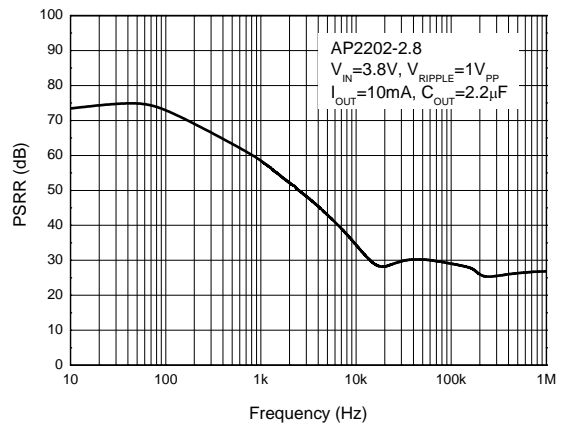


$V_{EN}(on)$ vs. V_{OUT}

(Conditions: $V_{EN}=0V$ to $2V$, $V_{IN}=3.8V$, $I_{OUT}=30mA$, $C_{BYP}=open$, $C_{IN}=1.0µF$, $C_{OUT}=2.2µF$)

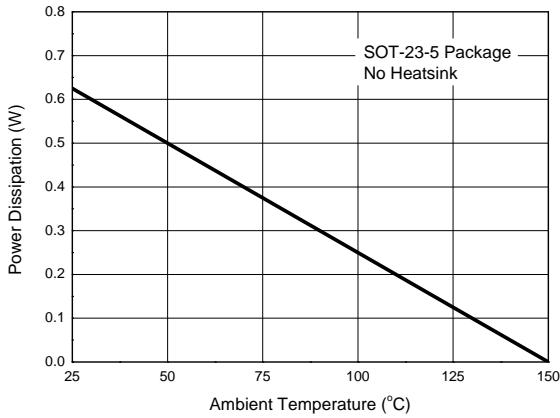


PSRR vs. Frequency

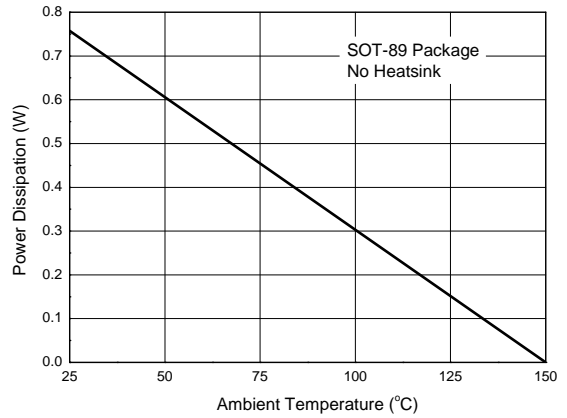


Performance Characteristics (continued)

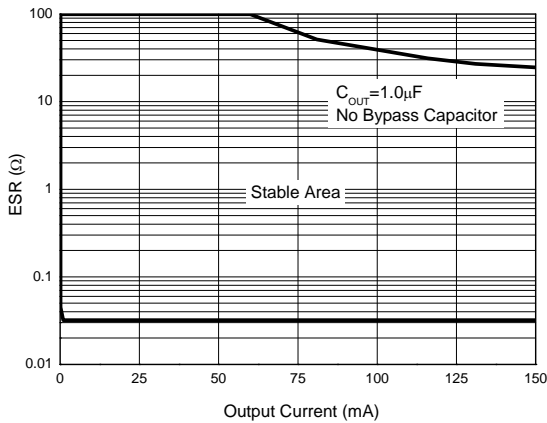
Power Dissipation vs. Ambient Temperature



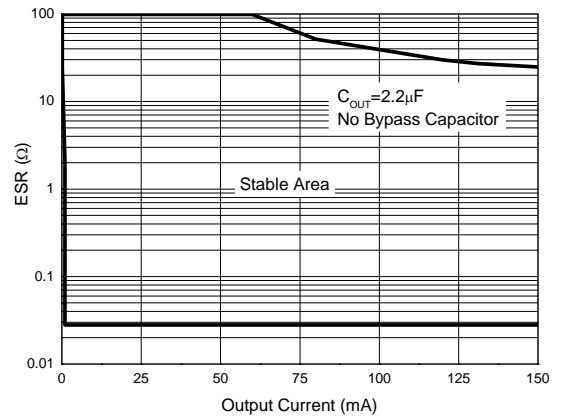
Power Dissipation vs. Ambient Temperature



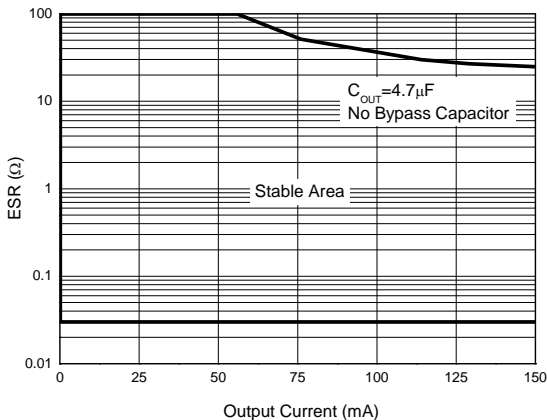
ESR vs. Output Current



ESR vs. Output Current



ESR vs. Output Current



Application Information

Input Capacitor

A 1μF minimum capacitor is recommended to be placed between V_{IN} and GND.

Output Capacitor

An output capacitor is required to prevent oscillation. A 1.0μF minimum is recommended when C_{BYP} is unused. A 2.2μF minimum is recommended when C_{BYP} is 100pF. The output capacitor may be increased to improve transient response.

Noise Bypass Capacitor

A bypass capacitor is connected to the internal voltage reference. A 100pF capacitor connected from BYP to GND makes this reference quiet, resulting in a significant reduction in output noise, but the ESR stable area will be narrowed.

The start-up speed of the AP2202 is inversely proportional to the value of the reference bypass capacitor. In some cases, if output noise is not a major concern and rapid turn-on is necessary, omit C_{BYP} and leave BYP open.

Power Dissipation

Thermal shutdown may take place if the maximum power dissipation is exceeded in application. Under all possible operating conditions, the junction temperature must be within the range specified under absolute maximum ratings to avoid thermal shutdown.

To determine if the power dissipated in the regulator reaches the maximum power dissipation (see Figures Power Dissipation vs. Ambient Temperature (SOT-23-5 package and SOT-89 package)), use:

$$T_J = P_D \cdot \theta_{JA} + T_A$$

$$P_D = (V_{IN} - V_{OUT}) \cdot I_{OUT} + V_{IN} \cdot I_{GND}$$

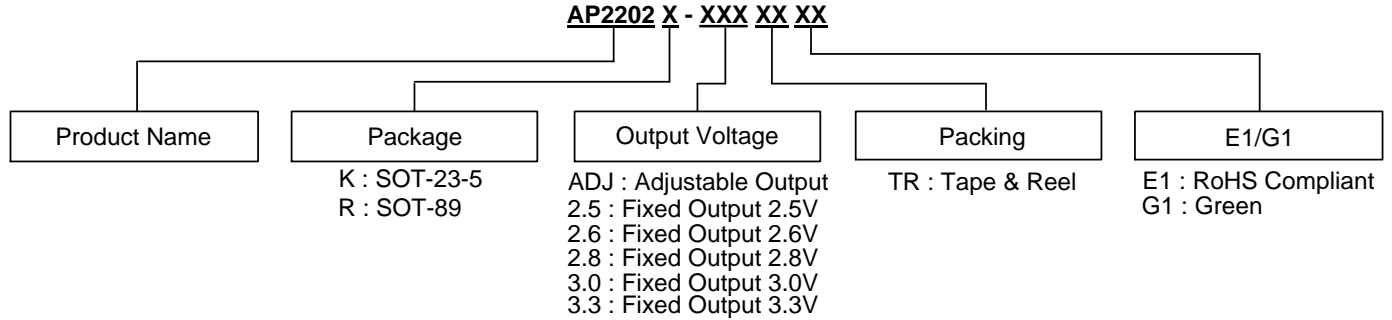
Where: $T_J \leq T_{J(max)}$, $T_{J(max)}$ is absolute maximum ratings for the junction temperature; $V_{IN} \cdot I_{GND}$ can be ignored due to its small value.

$T_{J(max)}$ is +150°C, θ_{JA} is 200°C/W for SOT-23-5 package; and 165°C/W for SOT-89 package. No heatsink is required since the package alone will dissipate enough heat to satisfy these requirements, unless the calculated value for power dissipation exceeds the limit.

Example: For 2.8V version packaged in SOT-23-5, $I_{OUT} = 150\text{mA}$, $T_A = +50^\circ\text{C}$, $V_{IN(Max)}$ is:
 $(150^\circ\text{C} - 50^\circ\text{C}) / (0.15\text{A} \cdot 200^\circ\text{C/W}) + 2.8\text{V} = 6.133\text{V}$

Therefore, for good performance, please make sure that input voltage is less than 6.133V without heatsink when $T_A = +50^\circ\text{C}$.

Ordering Information



Package	Temperature Range	Part Number		Marking ID		Packing	
		RoHS Compliant (Note 11)	Green	RoHS Compliant	Green	Qty.	Carrier
SOT-23-5	-40 to +125°C	AP2202K-ADJTRE1	AP2202K-ADJTRG1	E2C	G2C	3k	Tape & Reel
		AP2202K-2.5TRE1	AP2202K-2.5TRG1	E2D	G2D	3k	Tape & Reel
		AP2202K-2.6TRE1	AP2202K-2.6TRG1 (Note 11)	E2E	G2E	3k	Tape & Reel
		AP2202K-2.8TRE1	AP2202K-2.8TRG1 (Note 11)	E2G	G2G	3k	Tape & Reel
		AP2202K-3.0TRE1	AP2202K-3.0TRG1	E2I	G2I	3k	Tape & Reel
		AP2202K-3.3TRE1	AP2202K-3.3TRG1	E2L	G2L	3k	Tape & Reel
SOT-89	-40 to +125°C	AP2202R-3.3TRE1	AP2202R-3.3TRG1	E22B	G22B	3k	Tape & Reel

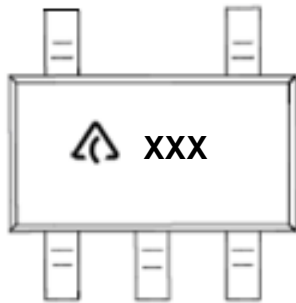


Note: 11. Not recommended for new design.

Marking Information

(1) SOT-23-5

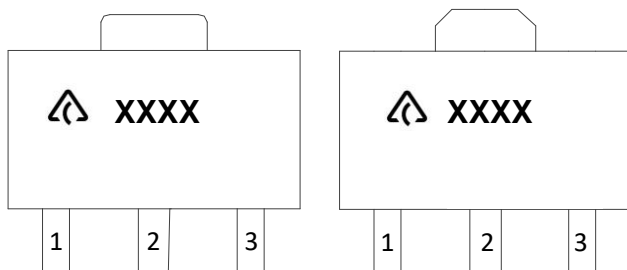
(Top View)



: Logo
XXX : Marking ID (See Ordering Information)

(2) SOT-89

(Top View)

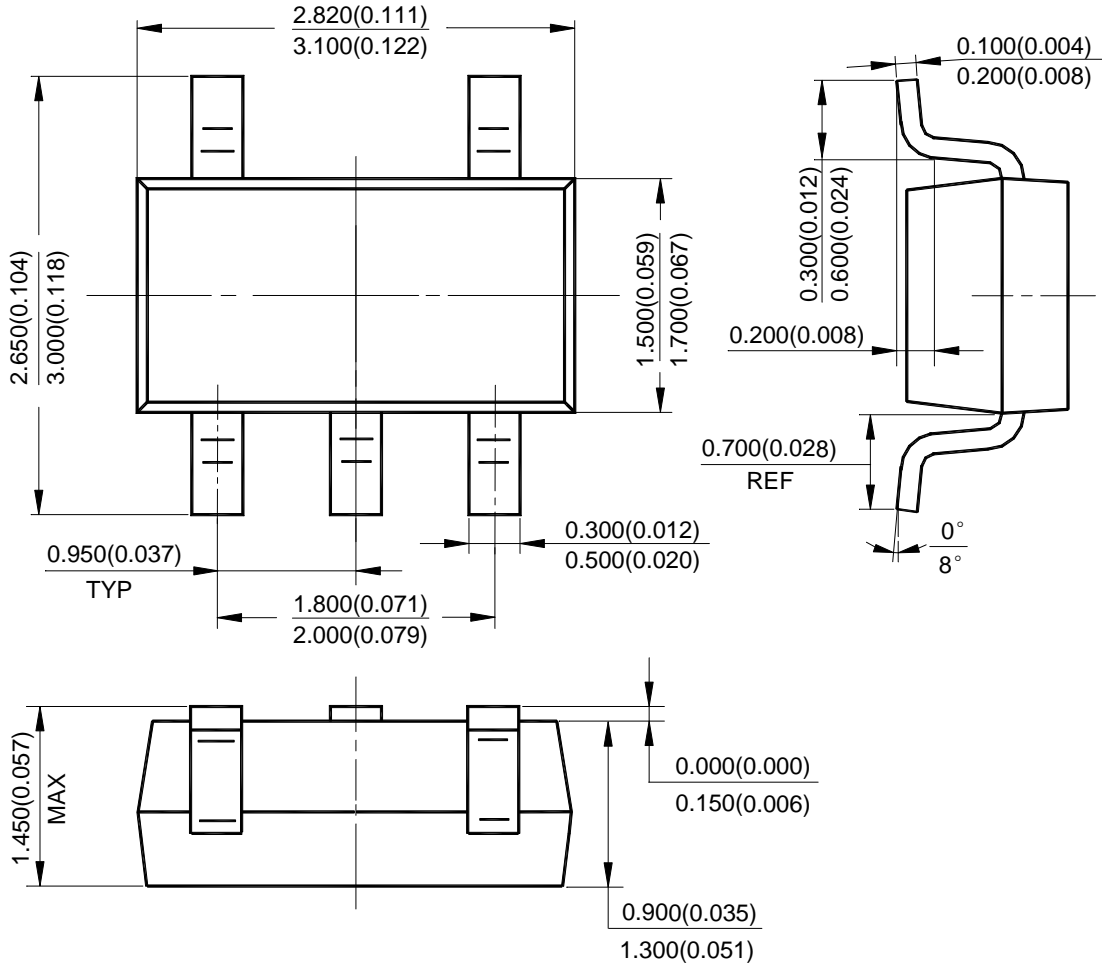


: Logo
XXXX : Marking ID (See Ordering Information)

Package Outline Dimensions (All dimensions in mm(inch).)

Please see <http://www.diodes.com/package-outlines.html> for the latest version.

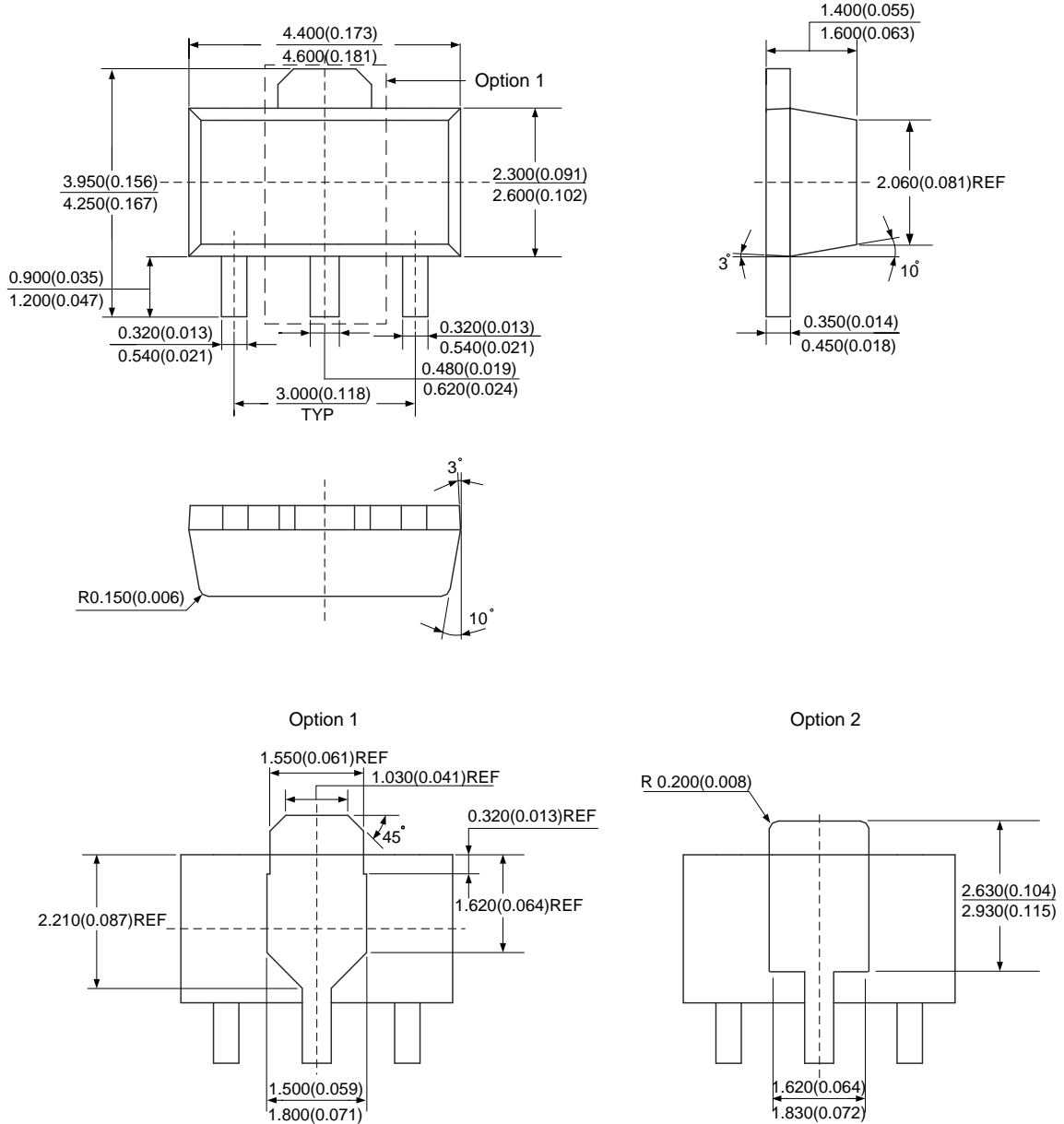
(1) Package Type: SOT-23-5



Package Outline Dimensions (continued) (All dimensions in mm(inch).)

Please see <http://www.diodes.com/package-outlines.html> for the latest version.

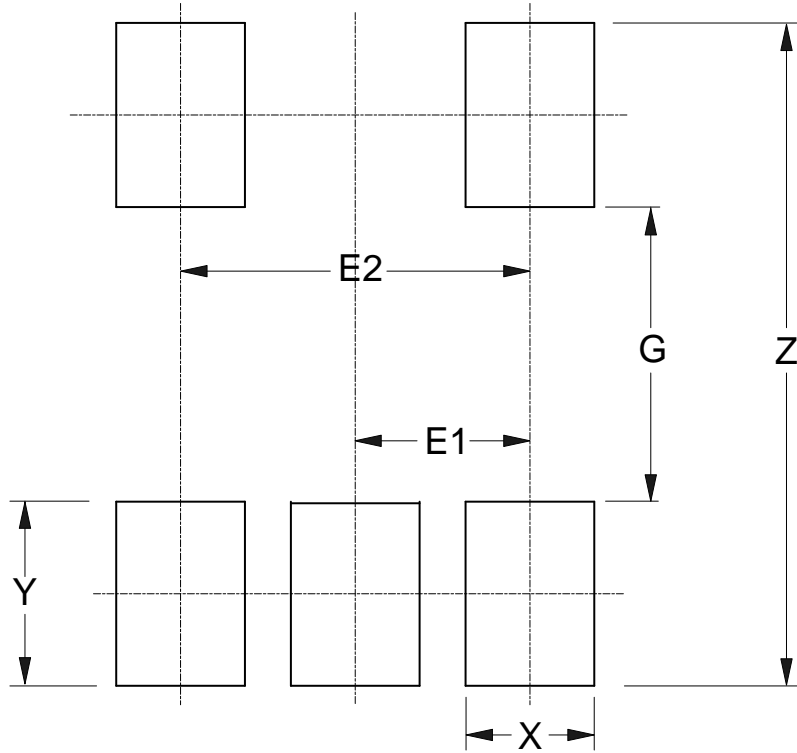
(2) Package Type: SOT-89



Suggested Pad Layout

Please see <http://www.diodes.com/package-outlines.html> for the latest version.

(1) Package Type: SOT-23-5

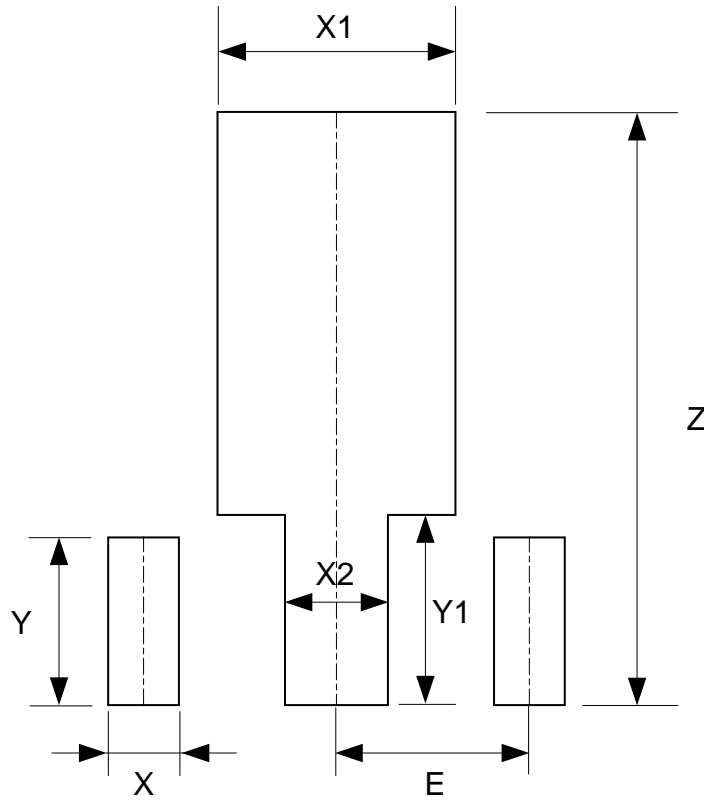


Dimensions	Z (mm)/(inch)	G (mm)/(inch)	X (mm)/(inch)	Y (mm)/(inch)	E1 (mm)/(inch)	E2 (mm)/(inch)
Value	3.600/0.142	1.600/0.063	0.700/0.028	1.000/0.039	0.950/0.037	1.900/0.075

Suggested Pad Layout (continued)

Please see <http://www.diodes.com/package-outlines.html> for the latest version.

(2) Package Type: SOT-89



Dimensions	Z (mm)/(inch)	X (mm)/(inch)	X1 (mm)/(inch)	X2 (mm)/(inch)	Y (mm)/(inch)	Y1 (mm)/(inch)	E (mm)/(inch)
Value	4.600/0.181	0.550/0.022	1.850/0.073	0.800/0.031	1.300/0.051	1.475/0.058	1.500/0.059

Mechanical Data

- Moisture Sensitivity: Level 3 Per J-STD-020
- Terminals: SOT-23-5/SOT-89 Finish—Matte Tin Plated Leads, Solderable per MIL-STD-202, Method 208 Ⓔ③
- Weight:
 - SOT-23-5: 0.015 grams (Approximate)
 - SOT-89: 0.055 grams (Approximate)

IMPORTANT NOTICE

1. DIODES INCORPORATED (Diodes) AND ITS SUBSIDIARIES MAKE NO WARRANTY OF ANY KIND, EXPRESS OR IMPLIED, WITH REGARDS TO ANY INFORMATION CONTAINED IN THIS DOCUMENT, INCLUDING, BUT NOT LIMITED TO, THE IMPLIED WARRANTIES OF MERCHANTABILITY, FITNESS FOR A PARTICULAR PURPOSE OR NON-INFRINGEMENT OF THIRD PARTY INTELLECTUAL PROPERTY RIGHTS (AND THEIR EQUIVALENTS UNDER THE LAWS OF ANY JURISDICTION).
2. The Information contained herein is for informational purpose only and is provided only to illustrate the operation of Diodes' products described herein and application examples. Diodes does not assume any liability arising out of the application or use of this document or any product described herein. This document is intended for skilled and technically trained engineering customers and users who design with Diodes' products. Diodes' products may be used to facilitate safety-related applications; however, in all instances customers and users are responsible for (a) selecting the appropriate Diodes products for their applications, (b) evaluating the suitability of Diodes' products for their intended applications, (c) ensuring their applications, which incorporate Diodes' products, comply the applicable legal and regulatory requirements as well as safety and functional-safety related standards, and (d) ensuring they design with appropriate safeguards (including testing, validation, quality control techniques, redundancy, malfunction prevention, and appropriate treatment for aging degradation) to minimize the risks associated with their applications.
3. Diodes assumes no liability for any application-related information, support, assistance or feedback that may be provided by Diodes from time to time. Any customer or user of this document or products described herein will assume all risks and liabilities associated with such use, and will hold Diodes and all companies whose products are represented herein or on Diodes' websites, harmless against all damages and liabilities.
4. Products described herein may be covered by one or more United States, international or foreign patents and pending patent applications. Product names and markings noted herein may also be covered by one or more United States, international or foreign trademarks and trademark applications. Diodes does not convey any license under any of its intellectual property rights or the rights of any third parties (including third parties whose products and services may be described in this document or on Diodes' website) under this document.
5. Diodes' products are provided subject to Diodes' Standard Terms and Conditions of Sale (<https://www.diodes.com/about/company/terms-and-conditions/terms-and-conditions-of-sales/>) or other applicable terms. This document does not alter or expand the applicable warranties provided by Diodes. Diodes does not warrant or accept any liability whatsoever in respect of any products purchased through unauthorized sales channel.
6. Diodes' products and technology may not be used for or incorporated into any products or systems whose manufacture, use or sale is prohibited under any applicable laws and regulations. Should customers or users use Diodes' products in contravention of any applicable laws or regulations, or for any unintended or unauthorized application, customers and users will (a) be solely responsible for any damages, losses or penalties arising in connection therewith or as a result thereof, and (b) indemnify and hold Diodes and its representatives and agents harmless against any and all claims, damages, expenses, and attorney fees arising out of, directly or indirectly, any claim relating to any noncompliance with the applicable laws and regulations, as well as any unintended or unauthorized application.
7. While efforts have been made to ensure the information contained in this document is accurate, complete and current, it may contain technical inaccuracies, omissions and typographical errors. Diodes does not warrant that information contained in this document is error-free and Diodes is under no obligation to update or otherwise correct this information. Notwithstanding the foregoing, Diodes reserves the right to make modifications, enhancements, improvements, corrections or other changes without further notice to this document and any product described herein. This document is written in English but may be translated into multiple languages for reference. Only the English version of this document is the final and determinative format released by Diodes.
8. Any unauthorized copying, modification, distribution, transmission, display or other use of this document (or any portion hereof) is prohibited. Diodes assumes no responsibility for any losses incurred by the customers or users or any third parties arising from any such unauthorized use.
9. This Notice may be periodically updated with the most recent version available at <https://www.diodes.com/about/company/terms-and-conditions/important-notice>

DIODES is a trademark of Diodes Incorporated in the United States and other countries.
The Diodes logo is a registered trademark of Diodes Incorporated in the United States and other countries.
© 2022 Diodes Incorporated. All Rights Reserved.

www.diodes.com

Looking for pricing, stock, or lifecycle information?

Click below to explore more details on WIN SOURCE:

 [View AP2202K-5.0TRG1 on WIN SOURCE](#)

 [Diodes Incorporated Information](#)

Optimize Your Supply Chain with WIN SOURCE Solutions

-  Global Sourcing Solution
-  Obsolete Management
-  Cost Control Management
-  Shortage Management
-  Alternative Solution
-  Excess Inventory Management