



**THE DATASHEET OF
APX803L20-35C3-7**



Description

The APX803L is brand new micro-power voltage detector series developed by Diodes Inc. with target to be used for microprocessor (μ P) supervisory circuits to monitor the power supplies in μ P and digital systems. It provides wide range of detection voltage level ranging from 1.2V to 5.0V with 0.1V per step options fixed internally from circuit design. As to supply current, APX803L series requires low supply current level of 1 μ A (typical) which gives no burden to power efficiency on systems requiring detection functions, such as smart phone, battery-powered devices, Internet equipments and so on.

These circuits perform the supervisory function by sending out a reset signal whenever it finds the monitored V_{CC} level falls below a chosen threshold voltage level and the reset signal will remain until V_{CC} recovers to a level higher than threshold voltage. The APX803L has an open-drain output with an active-low output pin and features several delay time options (0ms, 55ms, 220ms and 450ms) for system need.

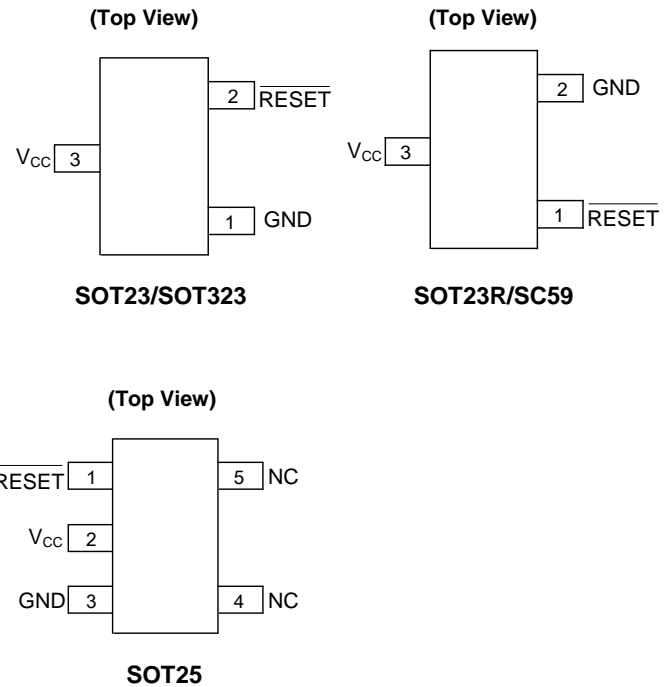
The APX803L is available in two pin out variants of the 3-pin SOT23, SOT323, SC59 and SOT25 packages.

Features

- Low Supply Current: 1.0 μ A (typ.), 2.5 μ A (max.)
- Internal Fixed 1.2V to 5.0V Threshold with 0.1V Step
- High Threshold Voltage Accuracy: $\pm 1.5\%$
- Quick Reset within 20 μ s
- Built-in Recovery Delay Time Options: 0ms, 55ms, 220ms and 450ms
- Open-Drain Output: Active Low
- No External Components Required
- SOT23, SOT323, SC59 and SOT25 Packages
- **Totally Lead-Free & Fully RoHS Compliant (Notes 1 & 2)**
- **Halogen and Antimony Free. "Green" Device (Note 3)**

- Notes:
1. No purposely added lead. Fully EU Directive 2002/95/EC (RoHS) & 2011/65/EU (RoHS 2) compliant.
 2. See http://www.diodes.com/quality/lead_free.html for more information about Diodes Incorporated's definitions of Halogen- and Antimony-free, "Green" and Lead-free.
 3. Halogen- and Antimony-free "Green" products are defined as those which contain <900ppm bromine, <900ppm chlorine (<1500ppm total Br + Cl) and <1000ppm antimony compounds.

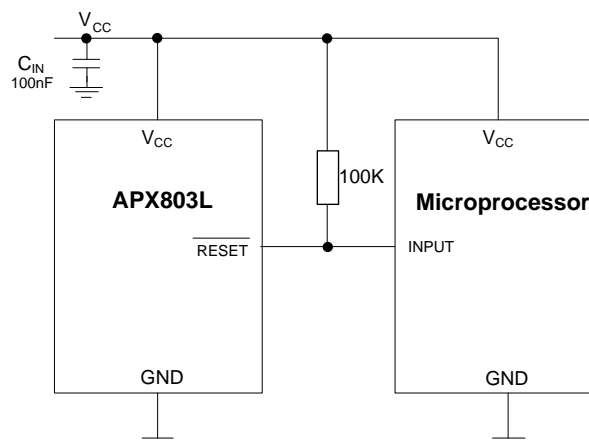
Pin Assignments



Applications

- Computers
- Controllers
- Intelligent Instruments
- Critical μ P and μ C Power Monitoring
- Portable/Battery Powered Equipment

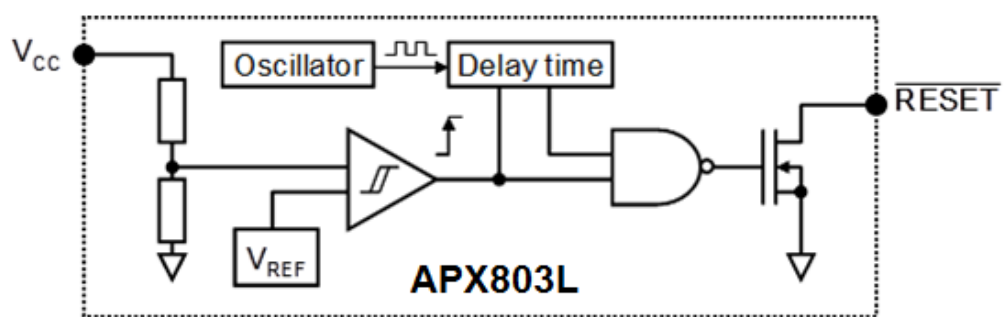
Typical Applications Circuit



Pin Descriptions

| Pin Number | | | | | Pin Name | Function |
|------------|--------|-------|--------|------|-----------------|---|
| SOT23 | SOT23R | SOT25 | SOT323 | SC59 | | |
| 3 | 3 | 2 | 3 | 3 | V _{CC} | Operating Voltage Input |
| 2 | 1 | 1 | 2 | 1 | RESET | Reset Output Pin, Open Drain Output: Active Low |
| 1 | 2 | 3 | 1 | 2 | GND | Ground |
| - | - | 4, 5 | - | - | NC | No Connection |

Functional Block Diagram



Absolute Maximum Ratings (@T_A = +25°C, unless otherwise specified. Note 4)

| Symbol | Parameter | Rating | Unit | |
|--------------------|--|---------------------|------|------|
| V _{CC} | Supply Voltage | -0.3 to 6.0 | V | |
| V _{RESET} | RESET Voltage (Open Drain) | -0.3 to 6.0 | V | |
| I _{CC} | Input Current | 20 | mA | |
| I _O | Output Current | 20 | mA | |
| θ _{JA} | Thermal Resistance Junction-to-Ambient | SOT23, SOT23R, SC59 | 200 | °C/W |
| | | SOT25 | 200 | |
| | | SOT323 | 275 | |
| θ _{JC} | Thermal Resistance Junction-to-Case | SOT23, SOT23R, SC59 | 60 | |
| | | SOT25 | 60 | |
| | | SOT323 | 90 | |
| ESD | HBM (Human Body Model) | ±4000 | V | |
| | MM (Machine Model) | ±200 | | |
| T _J | Junction Temperature Range | -40 to +150 | °C | |
| T _{STG} | Storage Temperature Range | -65 to +150 | °C | |

Note: 4. Stresses greater than those listed under "Absolute Maximum Ratings" may cause permanent damage to the device. These are stress ratings only, and functional operation of the device at these or any other conditions beyond those indicated under "Recommended Operating Conditions" is not implied. Exposure to "Absolute Maximum Ratings" for extended periods may affect device reliability.

Recommended Operating Conditions (@ $T_A = +25^\circ\text{C}$, unless otherwise specified.)

| Symbol | Parameter | Min | Max | Unit |
|--------------------|--|-----|-----|------------------|
| T_A | Operating Ambient Temperature Range | -40 | +85 | $^\circ\text{C}$ |
| V_{CC} | Supply Voltage | 0.9 | 5.5 | V |
| V_{RESET} | $\overline{\text{RESET}}$ Output Voltage | 0 | 5.5 | V |

Electrical Characteristics (@ $T_A = +25^\circ\text{C}$, unless otherwise specified.)

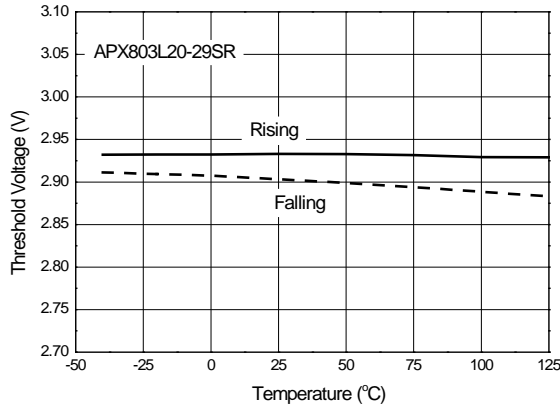
| Symbol | Parameter | Test Conditions | Min | Typ | Max | Unit | |
|--|--|--|----------------------------------|--------------|---------------|-----------------------|----|
| I_{CC} | Supply Current | $V_{TH} + 0.2\text{V}$ | - | 1 | 2.5 | μA | |
| V_{TH} | Reset Threshold | $T_A = +25^\circ\text{C}$ | - | 1.2 to 5.0 | - | V | |
| ΔV_{TH} | Threshold Voltage Accuracy | $T_A = +25^\circ\text{C}$ | -1.5 | - | 1.5 | % | |
| V_{HYS} | Reset Threshold Hysteresis | $V_{TH,H} - V_{TH,L}$ | - | $0.01V_{TH}$ | $0.016V_{TH}$ | mV | |
| $\frac{\Delta V_{TH}}{V_{TH} \times \Delta T}$ | Reset Threshold Voltage Temperature Coefficient | $T_A = -40 \text{ to } +85^\circ\text{C}$ | - | 50 | - | ppm/ $^\circ\text{C}$ | |
| t_s | V_{CC} Drop to $\overline{\text{RESET}}$ Delay | $V_{CC} = V_{TH}$ to $(V_{TH} - 100\text{mV})$ | - | 20 | - | μs | |
| t_{DELAY} | Reset Active Timeout Period | APX803L-XX | $V_{CC} \geq 1.02 \times V_{TH}$ | - | 0 | - | ms |
| | | APX803L05-XX | | 35 | 55 | 75 | |
| | | APX803L20-XX | | 143 | 220 | 297 | |
| | | APX803L40-XX | | 292 | 450 | 608 | |
| V_{OL} | $\overline{\text{RESET}}$ Output Voltage Low | $V_{CC} = V_{TH} - 0.2, I_{SINK} = 3.5\text{mA}$ | - | - | 0.4 | V | |

Timing Diagram

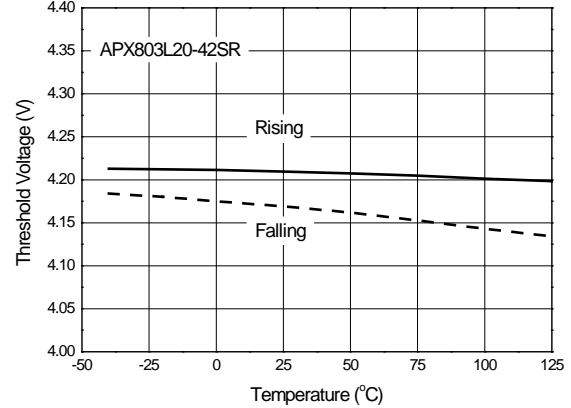


Performance Characteristics

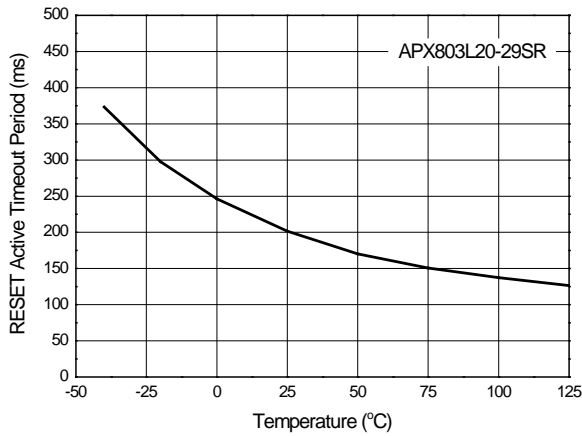
RESET Threshold Voltage vs. Temperature



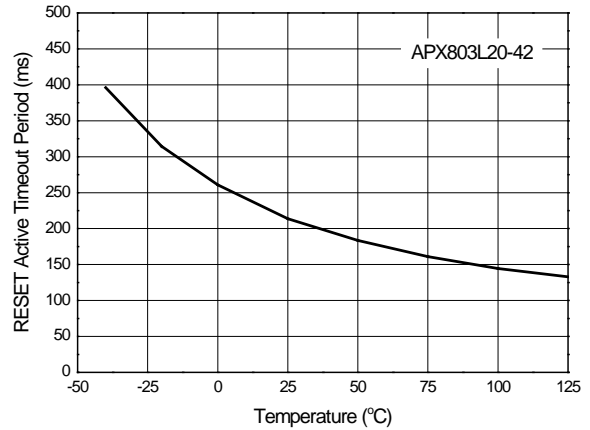
RESET Threshold Voltage vs. Temperature



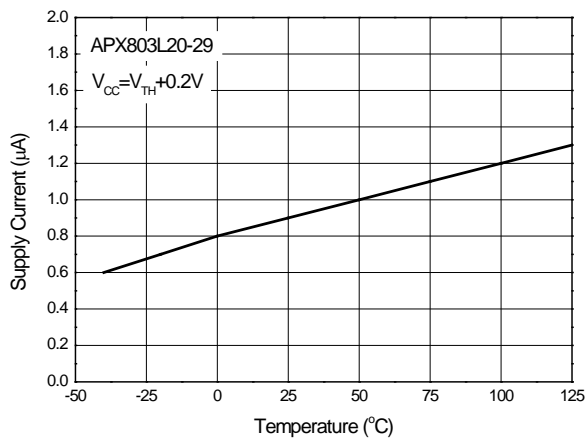
RESET Active Timeout Period vs. Temperature



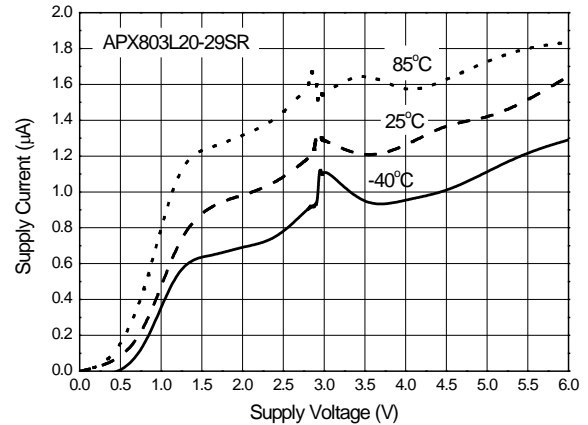
RESET Active Timeout Period vs. Temperature



Supply Current vs. Temperature



Supply Current vs. Supply Voltage

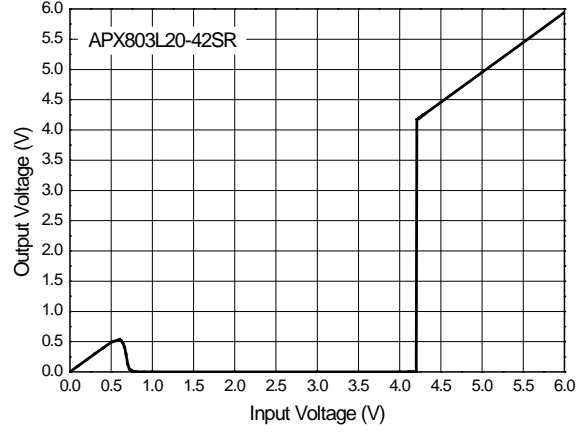


Performance Characteristics (Cont.)

Output Voltage vs. Input Voltage



Output Voltage vs. Input Voltage



Output Sink Current vs. Input Voltage



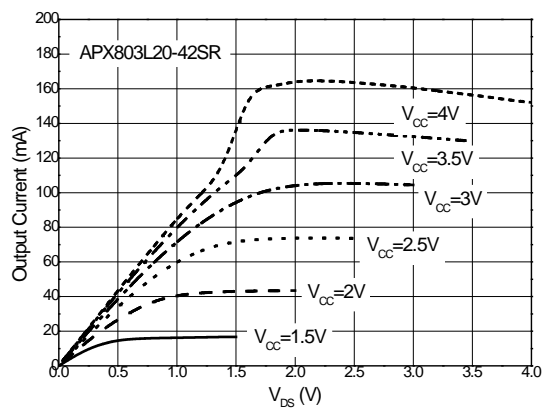
Output Sink Current vs. Input Voltage



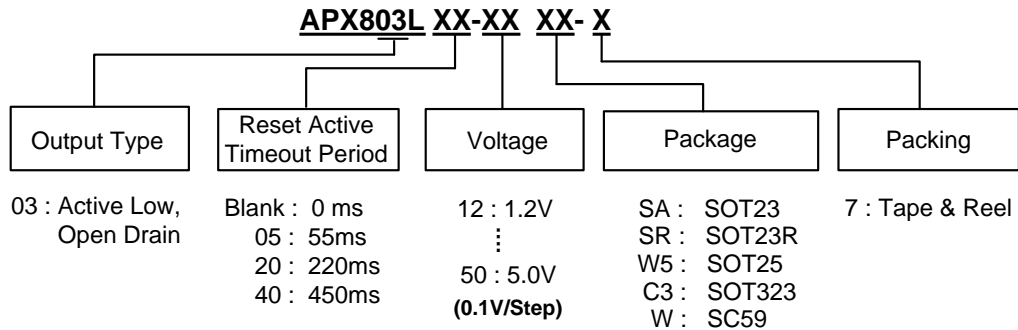
Output Current vs. V_{DS}



Output Current vs. V_{DS}



Ordering Information



| Part Number | Package Code | Packaging | 7" Tape and Reel | |
|------------------|--------------|-----------|------------------|--------------------|
| | | | Quantity | Part Number Suffix |
| APX803L-XXSA-7 | SA | SOT23 | 3000/Tape & Reel | -7 |
| APX803L05-XXSA-7 | SA | SOT23 | 3000/Tape & Reel | -7 |
| APX803L20-XXSA-7 | SA | SOT23 | 3000/Tape & Reel | -7 |
| APX803L40-XXSA-7 | SA | SOT23 | 3000/Tape & Reel | -7 |
| APX803L-XXSR-7 | SR | SOT23R | 3000/Tape & Reel | -7 |
| APX803L05-XXSR-7 | SR | SOT23R | 3000/Tape & Reel | -7 |
| APX803L20-XXSR-7 | SR | SOT23R | 3000/Tape & Reel | -7 |
| APX803L40-XXSR-7 | SR | SOT23R | 3000/Tape & Reel | -7 |
| APX803L-XXW5-7 | W5 | SOT25 | 3000/Tape & Reel | -7 |
| APX803L05-XXW5-7 | W5 | SOT25 | 3000/Tape & Reel | -7 |
| APX803L20-XXW5-7 | W5 | SOT25 | 3000/Tape & Reel | -7 |
| APX803L40-XXW5-7 | W5 | SOT25 | 3000/Tape & Reel | -7 |
| APX803L-XXC3-7 | C3 | SOT323 | 3000/Tape & Reel | -7 |
| APX803L05-XXC3-7 | C3 | SOT323 | 3000/Tape & Reel | -7 |
| APX803L20-XXC3-7 | C3 | SOT323 | 3000/Tape & Reel | -7 |
| APX803L40-XXC3-7 | C3 | SOT323 | 3000/Tape & Reel | -7 |
| APX803L-XXW-7 | W | SC59 | 3000/Tape & Reel | -7 |
| APX803L05-XXW-7 | W | SC59 | 3000/Tape & Reel | -7 |
| APX803L20-XXW-7 | W | SC59 | 3000/Tape & Reel | -7 |
| APX803L40-XXW-7 | W | SC59 | 3000/Tape & Reel | -7 |

NEW PRODUCT

Marking Information

1) SOT23/SOT23R/SC59

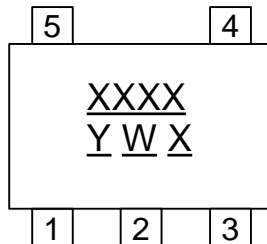
(Top View)



XXXX : Identification Code
Y : Year 0 to 9
W : Week : A to Z : 1 to 26 week;
a to z : 27 to 52 week; z represents
52 and 53 week
X : Internal Code

2) SOT25

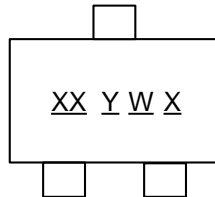
(Top View)



XXXX : Identification Code
Y : Year 0 to 9
W : Week : A to Z : 1 to 26 week;
a to z : 27 to 52 week; z represents
52 and 53 week
X : Internal Code

3) SOT323

(Top View)



XX : Identification Code
Y : Year 0 to 9
W : Week : A to Z : 1 to 26 week;
a to z : 27 to 52 week; z represents
52 and 53 week
X : Internal Code

Marking Information (Cont.)

| Device | Package | Identification Code | Device | Package | Identification Code |
|--------------|---------|---------------------|----------------|---------|---------------------|
| APX803L-12SA | SOT23 | A212 | APX803L05-12SA | SOT23 | A312 |
| APX803L-13SA | SOT23 | A213 | APX803L05-13SA | SOT23 | A313 |
| APX803L-14SA | SOT23 | A214 | APX803L05-14SA | SOT23 | A314 |
| APX803L-15SA | SOT23 | A215 | APX803L05-15SA | SOT23 | A315 |
| APX803L-16SA | SOT23 | A216 | APX803L05-16SA | SOT23 | A316 |
| APX803L-17SA | SOT23 | A217 | APX803L05-17SA | SOT23 | A317 |
| APX803L-18SA | SOT23 | A218 | APX803L05-18SA | SOT23 | A318 |
| APX803L-19SA | SOT23 | A219 | APX803L05-19SA | SOT23 | A319 |
| APX803L-20SA | SOT23 | A220 | APX803L05-20SA | SOT23 | A320 |
| APX803L-21SA | SOT23 | A221 | APX803L05-21SA | SOT23 | A321 |
| APX803L-22SA | SOT23 | A222 | APX803L05-22SA | SOT23 | A322 |
| APX803L-23SA | SOT23 | A223 | APX803L05-23SA | SOT23 | A323 |
| APX803L-24SA | SOT23 | A224 | APX803L05-24SA | SOT23 | A324 |
| APX803L-25SA | SOT23 | A225 | APX803L05-25SA | SOT23 | A325 |
| APX803L-26SA | SOT23 | A226 | APX803L05-26SA | SOT23 | A326 |
| APX803L-27SA | SOT23 | A227 | APX803L05-27SA | SOT23 | A327 |
| APX803L-28SA | SOT23 | A228 | APX803L05-28SA | SOT23 | A328 |
| APX803L-29SA | SOT23 | A229 | APX803L05-29SA | SOT23 | A329 |
| APX803L-30SA | SOT23 | A230 | APX803L05-30SA | SOT23 | A330 |
| APX803L-31SA | SOT23 | A231 | APX803L05-31SA | SOT23 | A331 |
| APX803L-32SA | SOT23 | A232 | APX803L05-32SA | SOT23 | A332 |
| APX803L-33SA | SOT23 | A233 | APX803L05-33SA | SOT23 | A333 |
| APX803L-34SA | SOT23 | A234 | APX803L05-34SA | SOT23 | A334 |
| APX803L-35SA | SOT23 | A235 | APX803L05-35SA | SOT23 | A335 |
| APX803L-36SA | SOT23 | A236 | APX803L05-36SA | SOT23 | A336 |
| APX803L-37SA | SOT23 | A237 | APX803L05-37SA | SOT23 | A337 |
| APX803L-38SA | SOT23 | A238 | APX803L05-38SA | SOT23 | A338 |
| APX803L-39SA | SOT23 | A239 | APX803L05-39SA | SOT23 | A339 |
| APX803L-40SA | SOT23 | A240 | APX803L05-40SA | SOT23 | A340 |
| APX803L-41SA | SOT23 | A241 | APX803L05-41SA | SOT23 | A341 |
| APX803L-42SA | SOT23 | A242 | APX803L05-42SA | SOT23 | A342 |
| APX803L-43SA | SOT23 | A243 | APX803L05-43SA | SOT23 | A343 |
| APX803L-44SA | SOT23 | A244 | APX803L05-44SA | SOT23 | A344 |
| APX803L-45SA | SOT23 | A245 | APX803L05-45SA | SOT23 | A345 |
| APX803L-46SA | SOT23 | A246 | APX803L05-46SA | SOT23 | A346 |
| APX803L-47SA | SOT23 | A247 | APX803L05-47SA | SOT23 | A347 |
| APX803L-48SA | SOT23 | A248 | APX803L05-48SA | SOT23 | A348 |
| APX803L-49SA | SOT23 | A249 | APX803L05-49SA | SOT23 | A349 |
| APX803L-50SA | SOT23 | A250 | APX803L05-50SA | SOT23 | A350 |

Marking Information (Cont.)

| Device | Package | Identification Code | Device | Package | Identification Code |
|----------------|---------|---------------------|----------------|---------|---------------------|
| APX803L20-12SA | SOT23 | A412 | APX803L40-12SA | SOT23 | A512 |
| APX803L20-13SA | SOT23 | A413 | APX803L40-13SA | SOT23 | A513 |
| APX803L20-14SA | SOT23 | A414 | APX803L40-14SA | SOT23 | A514 |
| APX803L20-15SA | SOT23 | A415 | APX803L40-15SA | SOT23 | A515 |
| APX803L20-16SA | SOT23 | A416 | APX803L40-16SA | SOT23 | A516 |
| APX803L20-17SA | SOT23 | A417 | APX803L40-17SA | SOT23 | A517 |
| APX803L20-18SA | SOT23 | A418 | APX803L40-18SA | SOT23 | A518 |
| APX803L20-19SA | SOT23 | A419 | APX803L40-19SA | SOT23 | A519 |
| APX803L20-20SA | SOT23 | A420 | APX803L40-20SA | SOT23 | A520 |
| APX803L20-21SA | SOT23 | A421 | APX803L40-21SA | SOT23 | A521 |
| APX803L20-22SA | SOT23 | A422 | APX803L40-22SA | SOT23 | A522 |
| APX803L20-23SA | SOT23 | A423 | APX803L40-23SA | SOT23 | A523 |
| APX803L20-24SA | SOT23 | A424 | APX803L40-24SA | SOT23 | A524 |
| APX803L20-25SA | SOT23 | A425 | APX803L40-25SA | SOT23 | A525 |
| APX803L20-26SA | SOT23 | A426 | APX803L40-26SA | SOT23 | A526 |
| APX803L20-27SA | SOT23 | A427 | APX803L40-27SA | SOT23 | A527 |
| APX803L20-28SA | SOT23 | A428 | APX803L40-28SA | SOT23 | A528 |
| APX803L20-29SA | SOT23 | A429 | APX803L40-29SA | SOT23 | A529 |
| APX803L20-30SA | SOT23 | A430 | APX803L40-30SA | SOT23 | A530 |
| APX803L20-31SA | SOT23 | A431 | APX803L40-31SA | SOT23 | A531 |
| APX803L20-32SA | SOT23 | A432 | APX803L40-32SA | SOT23 | A532 |
| APX803L20-33SA | SOT23 | A433 | APX803L40-33SA | SOT23 | A533 |
| APX803L20-34SA | SOT23 | A434 | APX803L40-34SA | SOT23 | A534 |
| APX803L20-35SA | SOT23 | A435 | APX803L40-35SA | SOT23 | A535 |
| APX803L20-36SA | SOT23 | A436 | APX803L40-36SA | SOT23 | A536 |
| APX803L20-37SA | SOT23 | A437 | APX803L40-37SA | SOT23 | A537 |
| APX803L20-38SA | SOT23 | A438 | APX803L40-38SA | SOT23 | A538 |
| APX803L20-39SA | SOT23 | A439 | APX803L40-39SA | SOT23 | A539 |
| APX803L20-40SA | SOT23 | A440 | APX803L40-40SA | SOT23 | A540 |
| APX803L20-41SA | SOT23 | A441 | APX803L40-41SA | SOT23 | A541 |
| APX803L20-42SA | SOT23 | A442 | APX803L40-42SA | SOT23 | A542 |
| APX803L20-43SA | SOT23 | A443 | APX803L40-43SA | SOT23 | A543 |
| APX803L20-44SA | SOT23 | A444 | APX803L40-44SA | SOT23 | A544 |
| APX803L20-45SA | SOT23 | A445 | APX803L40-45SA | SOT23 | A545 |
| APX803L20-46SA | SOT23 | A446 | APX803L40-46SA | SOT23 | A546 |
| APX803L20-47SA | SOT23 | A447 | APX803L40-47SA | SOT23 | A547 |
| APX803L20-48SA | SOT23 | A448 | APX803L40-48SA | SOT23 | A548 |
| APX803L20-49SA | SOT23 | A449 | APX803L40-49SA | SOT23 | A549 |
| APX803L20-50SA | SOT23 | A450 | APX803L40-50SA | SOT23 | A550 |

Marking Information (Cont.)

| Device | Package | Identification Code | Device | Package | Identification Code |
|--------------|---------|---------------------|----------------|---------|---------------------|
| APX803L-12SR | SOT23R | B212 | APX803L05-12SR | SOT23R | B312 |
| APX803L-13SR | SOT23R | B213 | APX803L05-13SR | SOT23R | B313 |
| APX803L-14SR | SOT23R | B214 | APX803L05-14SR | SOT23R | B314 |
| APX803L-15SR | SOT23R | B215 | APX803L05-15SR | SOT23R | B315 |
| APX803L-16SR | SOT23R | B216 | APX803L05-16SR | SOT23R | B316 |
| APX803L-17SR | SOT23R | B217 | APX803L05-17SR | SOT23R | B317 |
| APX803L-18SR | SOT23R | B218 | APX803L05-18SR | SOT23R | B318 |
| APX803L-19SR | SOT23R | B219 | APX803L05-19SR | SOT23R | B319 |
| APX803L-20SR | SOT23R | B220 | APX803L05-20SR | SOT23R | B320 |
| APX803L-21SR | SOT23R | B221 | APX803L05-21SR | SOT23R | B321 |
| APX803L-22SR | SOT23R | B222 | APX803L05-22SR | SOT23R | B322 |
| APX803L-23SR | SOT23R | B223 | APX803L05-23SR | SOT23R | B323 |
| APX803L-24SR | SOT23R | B224 | APX803L05-24SR | SOT23R | B324 |
| APX803L-25SR | SOT23R | B225 | APX803L05-25SR | SOT23R | B325 |
| APX803L-26SR | SOT23R | B226 | APX803L05-26SR | SOT23R | B326 |
| APX803L-27SR | SOT23R | B227 | APX803L05-27SR | SOT23R | B327 |
| APX803L-28SR | SOT23R | B228 | APX803L05-28SR | SOT23R | B328 |
| APX803L-29SR | SOT23R | B229 | APX803L05-29SR | SOT23R | B329 |
| APX803L-30SR | SOT23R | B230 | APX803L05-30SR | SOT23R | B330 |
| APX803L-31SR | SOT23R | B231 | APX803L05-31SR | SOT23R | B331 |
| APX803L-32SR | SOT23R | B232 | APX803L05-32SR | SOT23R | B332 |
| APX803L-33SR | SOT23R | B233 | APX803L05-33SR | SOT23R | B333 |
| APX803L-34SR | SOT23R | B234 | APX803L05-34SR | SOT23R | B334 |
| APX803L-35SR | SOT23R | B235 | APX803L05-35SR | SOT23R | B335 |
| APX803L-36SR | SOT23R | B236 | APX803L05-36SR | SOT23R | B336 |
| APX803L-37SR | SOT23R | B237 | APX803L05-37SR | SOT23R | B337 |
| APX803L-38SR | SOT23R | B238 | APX803L05-38SR | SOT23R | B338 |
| APX803L-39SR | SOT23R | B239 | APX803L05-39SR | SOT23R | B339 |
| APX803L-40SR | SOT23R | B240 | APX803L05-40SR | SOT23R | B340 |
| APX803L-41SR | SOT23R | B241 | APX803L05-41SR | SOT23R | B341 |
| APX803L-42SR | SOT23R | B242 | APX803L05-42SR | SOT23R | B342 |
| APX803L-43SR | SOT23R | B243 | APX803L05-43SR | SOT23R | B343 |
| APX803L-44SR | SOT23R | B244 | APX803L05-44SR | SOT23R | B344 |
| APX803L-45SR | SOT23R | B245 | APX803L05-45SR | SOT23R | B345 |
| APX803L-46SR | SOT23R | B246 | APX803L05-46SR | SOT23R | B346 |
| APX803L-47SR | SOT23R | B247 | APX803L05-47SR | SOT23R | B347 |
| APX803L-48SR | SOT23R | B248 | APX803L05-48SR | SOT23R | B348 |
| APX803L-49SR | SOT23R | B249 | APX803L05-49SR | SOT23R | B349 |
| APX803L-50SR | SOT23R | B250 | APX803L05-50SR | SOT23R | B350 |

NEW PRODUCT

Marking Information (Cont.)

| Device | Package | Identification Code | Device | Package | Identification Code |
|----------------|---------|---------------------|----------------|---------|---------------------|
| APX803L20-12SR | SOT23R | B412 | APX803L40-12SR | SOT23R | B512 |
| APX803L20-13SR | SOT23R | B413 | APX803L40-13SR | SOT23R | B513 |
| APX803L20-14SR | SOT23R | B414 | APX803L40-14SR | SOT23R | B514 |
| APX803L20-15SR | SOT23R | B415 | APX803L40-15SR | SOT23R | B515 |
| APX803L20-16SR | SOT23R | B416 | APX803L40-16SR | SOT23R | B516 |
| APX803L20-17SR | SOT23R | B417 | APX803L40-17SR | SOT23R | B517 |
| APX803L20-18SR | SOT23R | B418 | APX803L40-18SR | SOT23R | B518 |
| APX803L20-19SR | SOT23R | B419 | APX803L40-19SR | SOT23R | B519 |
| APX803L20-20SR | SOT23R | B420 | APX803L40-20SR | SOT23R | B520 |
| APX803L20-21SR | SOT23R | B421 | APX803L40-21SR | SOT23R | B521 |
| APX803L20-22SR | SOT23R | B422 | APX803L40-22SR | SOT23R | B522 |
| APX803L20-23SR | SOT23R | B423 | APX803L40-23SR | SOT23R | B523 |
| APX803L20-24SR | SOT23R | B424 | APX803L40-24SR | SOT23R | B524 |
| APX803L20-25SR | SOT23R | B425 | APX803L40-25SR | SOT23R | B525 |
| APX803L20-26SR | SOT23R | B426 | APX803L40-26SR | SOT23R | B526 |
| APX803L20-27SR | SOT23R | B427 | APX803L40-27SR | SOT23R | B527 |
| APX803L20-28SR | SOT23R | B428 | APX803L40-28SR | SOT23R | B528 |
| APX803L20-29SR | SOT23R | B429 | APX803L40-29SR | SOT23R | B529 |
| APX803L20-30SR | SOT23R | B430 | APX803L40-30SR | SOT23R | B530 |
| APX803L20-31SR | SOT23R | B431 | APX803L40-31SR | SOT23R | B531 |
| APX803L20-32SR | SOT23R | B432 | APX803L40-32SR | SOT23R | B532 |
| APX803L20-33SR | SOT23R | B433 | APX803L40-33SR | SOT23R | B533 |
| APX803L20-34SR | SOT23R | B434 | APX803L40-34SR | SOT23R | B534 |
| APX803L20-35SR | SOT23R | B435 | APX803L40-35SR | SOT23R | B535 |
| APX803L20-36SR | SOT23R | B436 | APX803L40-36SR | SOT23R | B536 |
| APX803L20-37SR | SOT23R | B437 | APX803L40-37SR | SOT23R | B537 |
| APX803L20-38SR | SOT23R | B438 | APX803L40-38SR | SOT23R | B538 |
| APX803L20-39SR | SOT23R | B439 | APX803L40-39SR | SOT23R | B539 |
| APX803L20-40SR | SOT23R | B440 | APX803L40-40SR | SOT23R | B540 |
| APX803L20-41SR | SOT23R | B441 | APX803L40-41SR | SOT23R | B541 |
| APX803L20-42SR | SOT23R | B442 | APX803L40-42SR | SOT23R | B542 |
| APX803L20-43SR | SOT23R | B443 | APX803L40-43SR | SOT23R | B543 |
| APX803L20-44SR | SOT23R | B444 | APX803L40-44SR | SOT23R | B544 |
| APX803L20-45SR | SOT23R | B445 | APX803L40-45SR | SOT23R | B545 |
| APX803L20-46SR | SOT23R | B446 | APX803L40-46SR | SOT23R | B546 |
| APX803L20-47SR | SOT23R | B447 | APX803L40-47SR | SOT23R | B547 |
| APX803L20-48SR | SOT23R | B448 | APX803L40-48SR | SOT23R | B548 |
| APX803L20-49SR | SOT23R | B449 | APX803L40-49SR | SOT23R | B549 |
| APX803L20-50SR | SOT23R | B450 | APX803L40-50SR | SOT23R | B550 |

Marking Information (Cont.)

| Device | Package | Identification Code | Device | Package | Identification Code |
|--------------|---------|---------------------|----------------|---------|---------------------|
| APX803L-12W5 | SOT25 | C212 | APX803L05-12W5 | SOT25 | C312 |
| APX803L-13W5 | SOT25 | C213 | APX803L05-13W5 | SOT25 | C313 |
| APX803L-14W5 | SOT25 | C214 | APX803L05-14W5 | SOT25 | C314 |
| APX803L-15W5 | SOT25 | C215 | APX803L05-15W5 | SOT25 | C315 |
| APX803L-16W5 | SOT25 | C216 | APX803L05-16W5 | SOT25 | C316 |
| APX803L-17W5 | SOT25 | C217 | APX803L05-17W5 | SOT25 | C317 |
| APX803L-18W5 | SOT25 | C218 | APX803L05-18W5 | SOT25 | C318 |
| APX803L-19W5 | SOT25 | C219 | APX803L05-19W5 | SOT25 | C319 |
| APX803L-20W5 | SOT25 | C220 | APX803L05-20W5 | SOT25 | C320 |
| APX803L-21W5 | SOT25 | C221 | APX803L05-21W5 | SOT25 | C321 |
| APX803L-22W5 | SOT25 | C222 | APX803L05-22W5 | SOT25 | C322 |
| APX803L-23W5 | SOT25 | C223 | APX803L05-23W5 | SOT25 | C323 |
| APX803L-24W5 | SOT25 | C224 | APX803L05-24W5 | SOT25 | C324 |
| APX803L-25W5 | SOT25 | C225 | APX803L05-25W5 | SOT25 | C325 |
| APX803L-26W5 | SOT25 | C226 | APX803L05-26W5 | SOT25 | C326 |
| APX803L-27W5 | SOT25 | C227 | APX803L05-27W5 | SOT25 | C327 |
| APX803L-28W5 | SOT25 | C228 | APX803L05-28W5 | SOT25 | C328 |
| APX803L-29W5 | SOT25 | C229 | APX803L05-29W5 | SOT25 | C329 |
| APX803L-30W5 | SOT25 | C230 | APX803L05-30W5 | SOT25 | C330 |
| APX803L-31W5 | SOT25 | C231 | APX803L05-31W5 | SOT25 | C331 |
| APX803L-32W5 | SOT25 | C232 | APX803L05-32W5 | SOT25 | C332 |
| APX803L-33W5 | SOT25 | C233 | APX803L05-33W5 | SOT25 | C333 |
| APX803L-34W5 | SOT25 | C234 | APX803L05-34W5 | SOT25 | C334 |
| APX803L-35W5 | SOT25 | C235 | APX803L05-35W5 | SOT25 | C335 |
| APX803L-36W5 | SOT25 | C236 | APX803L05-36W5 | SOT25 | C336 |
| APX803L-37W5 | SOT25 | C237 | APX803L05-37W5 | SOT25 | C337 |
| APX803L-38W5 | SOT25 | C238 | APX803L05-38W5 | SOT25 | C338 |
| APX803L-39W5 | SOT25 | C239 | APX803L05-39W5 | SOT25 | C339 |
| APX803L-40W5 | SOT25 | C240 | APX803L05-40W5 | SOT25 | C340 |
| APX803L-41W5 | SOT25 | C241 | APX803L05-41W5 | SOT25 | C341 |
| APX803L-42W5 | SOT25 | C242 | APX803L05-42W5 | SOT25 | C342 |
| APX803L-43W5 | SOT25 | C243 | APX803L05-43W5 | SOT25 | C343 |
| APX803L-44W5 | SOT25 | C244 | APX803L05-44W5 | SOT25 | C344 |
| APX803L-45W5 | SOT25 | C245 | APX803L05-45W5 | SOT25 | C345 |
| APX803L-46W5 | SOT25 | C246 | APX803L05-46W5 | SOT25 | C346 |
| APX803L-47W5 | SOT25 | C247 | APX803L05-47W5 | SOT25 | C347 |
| APX803L-48W5 | SOT25 | C248 | APX803L05-48W5 | SOT25 | C348 |
| APX803L-49W5 | SOT25 | C249 | APX803L05-49W5 | SOT25 | C349 |
| APX803L-50W5 | SOT25 | C250 | APX803L05-50W5 | SOT25 | C350 |

Marking Information (Cont.)

| Device | Package | Identification Code | Device | Package | Identification Code |
|----------------|---------|---------------------|----------------|---------|---------------------|
| APX803L20-12W5 | SOT25 | C412 | APX803L40-12W5 | SOT25 | C512 |
| APX803L20-13W5 | SOT25 | C413 | APX803L40-13W5 | SOT25 | C513 |
| APX803L20-14W5 | SOT25 | C414 | APX803L40-14W5 | SOT25 | C514 |
| APX803L20-15W5 | SOT25 | C415 | APX803L40-15W5 | SOT25 | C515 |
| APX803L20-16W5 | SOT25 | C416 | APX803L40-16W5 | SOT25 | C516 |
| APX803L20-17W5 | SOT25 | C417 | APX803L40-17W5 | SOT25 | C517 |
| APX803L20-18W5 | SOT25 | C418 | APX803L40-18W5 | SOT25 | C518 |
| APX803L20-19W5 | SOT25 | C419 | APX803L40-19W5 | SOT25 | C519 |
| APX803L20-20W5 | SOT25 | C420 | APX803L40-20W5 | SOT25 | C520 |
| APX803L20-21W5 | SOT25 | C421 | APX803L40-21W5 | SOT25 | C521 |
| APX803L20-22W5 | SOT25 | C422 | APX803L40-22W5 | SOT25 | C522 |
| APX803L20-23W5 | SOT25 | C423 | APX803L40-23W5 | SOT25 | C523 |
| APX803L20-24W5 | SOT25 | C424 | APX803L40-24W5 | SOT25 | C524 |
| APX803L20-25W5 | SOT25 | C425 | APX803L40-25W5 | SOT25 | C525 |
| APX803L20-26W5 | SOT25 | C426 | APX803L40-26W5 | SOT25 | C526 |
| APX803L20-27W5 | SOT25 | C427 | APX803L40-27W5 | SOT25 | C527 |
| APX803L20-28W5 | SOT25 | C428 | APX803L40-28W5 | SOT25 | C528 |
| APX803L20-29W5 | SOT25 | C429 | APX803L40-29W5 | SOT25 | C529 |
| APX803L20-30W5 | SOT25 | C430 | APX803L40-30W5 | SOT25 | C530 |
| APX803L20-31W5 | SOT25 | C431 | APX803L40-31W5 | SOT25 | C531 |
| APX803L20-32W5 | SOT25 | C432 | APX803L40-32W5 | SOT25 | C532 |
| APX803L20-33W5 | SOT25 | C433 | APX803L40-33W5 | SOT25 | C533 |
| APX803L20-34W5 | SOT25 | C434 | APX803L40-34W5 | SOT25 | C534 |
| APX803L20-35W5 | SOT25 | C435 | APX803L40-35W5 | SOT25 | C535 |
| APX803L20-36W5 | SOT25 | C436 | APX803L40-36W5 | SOT25 | C536 |
| APX803L20-37W5 | SOT25 | C437 | APX803L40-37W5 | SOT25 | C537 |
| APX803L20-38W5 | SOT25 | C438 | APX803L40-38W5 | SOT25 | C538 |
| APX803L20-39W5 | SOT25 | C439 | APX803L40-39W5 | SOT25 | C539 |
| APX803L20-40W5 | SOT25 | C440 | APX803L40-40W5 | SOT25 | C540 |
| APX803L20-41W5 | SOT25 | C441 | APX803L40-41W5 | SOT25 | C541 |
| APX803L20-42W5 | SOT25 | C442 | APX803L40-42W5 | SOT25 | C542 |
| APX803L20-43W5 | SOT25 | C443 | APX803L40-43W5 | SOT25 | C543 |
| APX803L20-44W5 | SOT25 | C444 | APX803L40-44W5 | SOT25 | C544 |
| APX803L20-45W5 | SOT25 | C445 | APX803L40-45W5 | SOT25 | C545 |
| APX803L20-46W5 | SOT25 | C446 | APX803L40-46W5 | SOT25 | C546 |
| APX803L20-47W5 | SOT25 | C447 | APX803L40-47W5 | SOT25 | C547 |
| APX803L20-48W5 | SOT25 | C448 | APX803L40-48W5 | SOT25 | C548 |
| APX803L20-49W5 | SOT25 | C449 | APX803L40-49W5 | SOT25 | C549 |
| APX803L20-50W5 | SOT25 | C450 | APX803L40-50W5 | SOT25 | C550 |

Marking Information (Cont.)

| Device | Package | Identification Code | Device | Package | Identification Code |
|--------------|---------|---------------------|----------------|---------|---------------------|
| APX803L-12C3 | SOT323 | 2A | APX803L05-12C3 | SOT323 | 4A |
| APX803L-13C3 | SOT323 | 2B | APX803L05-13C3 | SOT323 | 4B |
| APX803L-14C3 | SOT323 | 2C | APX803L05-14C3 | SOT323 | 4C |
| APX803L-15C3 | SOT323 | 2D | APX803L05-15C3 | SOT323 | 4D |
| APX803L-16C3 | SOT323 | 2E | APX803L05-16C3 | SOT323 | 4E |
| APX803L-17C3 | SOT323 | 2F | APX803L05-17C3 | SOT323 | 4F |
| APX803L-18C3 | SOT323 | 2G | APX803L05-18C3 | SOT323 | 4G |
| APX803L-19C3 | SOT323 | 2H | APX803L05-19C3 | SOT323 | 4H |
| APX803L-20C3 | SOT323 | 2J | APX803L05-20C3 | SOT323 | 4J |
| APX803L-21C3 | SOT323 | 2K | APX803L05-21C3 | SOT323 | 4K |
| APX803L-22C3 | SOT323 | 2M | APX803L05-22C3 | SOT323 | 4M |
| APX803L-23C3 | SOT323 | 2N | APX803L05-23C3 | SOT323 | 4N |
| APX803L-24C3 | SOT323 | 2P | APX803L05-24C3 | SOT323 | 4P |
| APX803L-25C3 | SOT323 | 2R | APX803L05-25C3 | SOT323 | 4R |
| APX803L-26C3 | SOT323 | 2S | APX803L05-26C3 | SOT323 | 4S |
| APX803L-27C3 | SOT323 | 2T | APX803L05-27C3 | SOT323 | 4T |
| APX803L-28C3 | SOT323 | 2U | APX803L05-28C3 | SOT323 | 4U |
| APX803L-29C3 | SOT323 | 2V | APX803L05-29C3 | SOT323 | 4V |
| APX803L-30C3 | SOT323 | 2W | APX803L05-30C3 | SOT323 | 4W |
| APX803L-31C3 | SOT323 | 2X | APX803L05-31C3 | SOT323 | 4X |
| APX803L-32C3 | SOT323 | 3A | APX803L05-32C3 | SOT323 | 5A |
| APX803L-33C3 | SOT323 | 3B | APX803L05-33C3 | SOT323 | 5B |
| APX803L-34C3 | SOT323 | 3C | APX803L05-34C3 | SOT323 | 5C |
| APX803L-35C3 | SOT323 | 3D | APX803L05-35C3 | SOT323 | 5D |
| APX803L-36C3 | SOT323 | 3E | APX803L05-36C3 | SOT323 | 5E |
| APX803L-37C3 | SOT323 | 3F | APX803L05-37C3 | SOT323 | 5F |
| APX803L-38C3 | SOT323 | 3G | APX803L05-38C3 | SOT323 | 5G |
| APX803L-39C3 | SOT323 | 3H | APX803L05-39C3 | SOT323 | 5H |
| APX803L-40C3 | SOT323 | 3J | APX803L05-40C3 | SOT323 | 5J |
| APX803L-41C3 | SOT323 | 3K | APX803L05-41C3 | SOT323 | 5K |
| APX803L-42C3 | SOT323 | 3M | APX803L05-42C3 | SOT323 | 5M |
| APX803L-43C3 | SOT323 | 3N | APX803L05-43C3 | SOT323 | 5N |
| APX803L-44C3 | SOT323 | 3P | APX803L05-44C3 | SOT323 | 5P |
| APX803L-45C3 | SOT323 | 3R | APX803L05-45C3 | SOT323 | 5R |
| APX803L-46C3 | SOT323 | 3S | APX803L05-46C3 | SOT323 | 5S |
| APX803L-47C3 | SOT323 | 3T | APX803L05-47C3 | SOT323 | 5T |
| APX803L-48C3 | SOT323 | 3U | APX803L05-48C3 | SOT323 | 5U |
| APX803L-49C3 | SOT323 | 3V | APX803L05-49C3 | SOT323 | 5V |
| APX803L-50C3 | SOT323 | 3W | APX803L05-50C3 | SOT323 | 5W |

Marking Information (Cont.)

| Device | Package | Identification Code | Device | Package | Identification Code |
|----------------|---------|---------------------|----------------|---------|---------------------|
| APX803L20-12C3 | SOT323 | 6A | APX803L40-12C3 | SOT323 | 8A |
| APX803L20-13C3 | SOT323 | 6B | APX803L40-13C3 | SOT323 | 8B |
| APX803L20-14C3 | SOT323 | 6C | APX803L40-14C3 | SOT323 | 8C |
| APX803L20-15C3 | SOT323 | 6D | APX803L40-15C3 | SOT323 | 8D |
| APX803L20-16C3 | SOT323 | 6E | APX803L40-16C3 | SOT323 | 8E |
| APX803L20-17C3 | SOT323 | 6F | APX803L40-17C3 | SOT323 | 8F |
| APX803L20-18C3 | SOT323 | 6G | APX803L40-18C3 | SOT323 | 8G |
| APX803L20-19C3 | SOT323 | 6H | APX803L40-19C3 | SOT323 | 8H |
| APX803L20-20C3 | SOT323 | 6J | APX803L40-20C3 | SOT323 | 8J |
| APX803L20-21C3 | SOT323 | 6K | APX803L40-21C3 | SOT323 | 8K |
| APX803L20-22C3 | SOT323 | 6M | APX803L40-22C3 | SOT323 | 8M |
| APX803L20-23C3 | SOT323 | 6N | APX803L40-23C3 | SOT323 | 8N |
| APX803L20-24C3 | SOT323 | 6P | APX803L40-24C3 | SOT323 | 8P |
| APX803L20-25C3 | SOT323 | 6R | APX803L40-25C3 | SOT323 | 8R |
| APX803L20-26C3 | SOT323 | 6S | APX803L40-26C3 | SOT323 | 8S |
| APX803L20-27C3 | SOT323 | 6T | APX803L40-27C3 | SOT323 | 8T |
| APX803L20-28C3 | SOT323 | 6U | APX803L40-28C3 | SOT323 | 8U |
| APX803L20-29C3 | SOT323 | 6V | APX803L40-29C3 | SOT323 | 8V |
| APX803L20-30C3 | SOT323 | 6W | APX803L40-30C3 | SOT323 | 8W |
| APX803L20-31C3 | SOT323 | 6X | APX803L40-31C3 | SOT323 | 8X |
| APX803L20-32C3 | SOT323 | 7A | APX803L40-32C3 | SOT323 | 9A |
| APX803L20-33C3 | SOT323 | 7B | APX803L40-33C3 | SOT323 | 9B |
| APX803L20-34C3 | SOT323 | 7C | APX803L40-34C3 | SOT323 | 9C |
| APX803L20-35C3 | SOT323 | 7D | APX803L40-35C3 | SOT323 | 9D |
| APX803L20-36C3 | SOT323 | 7E | APX803L40-36C3 | SOT323 | 9E |
| APX803L20-37C3 | SOT323 | 7F | APX803L40-37C3 | SOT323 | 9F |
| APX803L20-38C3 | SOT323 | 7G | APX803L40-38C3 | SOT323 | 9G |
| APX803L20-39C3 | SOT323 | 7H | APX803L40-39C3 | SOT323 | 9H |
| APX803L20-40C3 | SOT323 | 7J | APX803L40-40C3 | SOT323 | 9J |
| APX803L20-41C3 | SOT323 | 7K | APX803L40-41C3 | SOT323 | 9K |
| APX803L20-42C3 | SOT323 | 7M | APX803L40-42C3 | SOT323 | 9M |
| APX803L20-43C3 | SOT323 | 7N | APX803L40-43C3 | SOT323 | 9N |
| APX803L20-44C3 | SOT323 | 7P | APX803L40-44C3 | SOT323 | 9P |
| APX803L20-45C3 | SOT323 | 7R | APX803L40-45C3 | SOT323 | 9R |
| APX803L20-46C3 | SOT323 | 7S | APX803L40-46C3 | SOT323 | 9S |
| APX803L20-47C3 | SOT323 | 7T | APX803L40-47C3 | SOT323 | 9T |
| APX803L20-48C3 | SOT323 | 7U | APX803L40-48C3 | SOT323 | 9U |
| APX803L20-49C3 | SOT323 | 7V | APX803L40-49C3 | SOT323 | 9V |
| APX803L20-50C3 | SOT323 | 7W | APX803L40-50C3 | SOT323 | 9W |

Marking Information (Cont.)

| Device | Package | Identification Code | Device | Package | Identification Code |
|-------------|---------|---------------------|---------------|---------|---------------------|
| APX803L-12W | SC59 | D212 | APX803L05-12W | SC59 | D312 |
| APX803L-13W | SC59 | D213 | APX803L05-13W | SC59 | D313 |
| APX803L-14W | SC59 | D214 | APX803L05-14W | SC59 | D314 |
| APX803L-15W | SC59 | D215 | APX803L05-15W | SC59 | D315 |
| APX803L-16W | SC59 | D216 | APX803L05-16W | SC59 | D316 |
| APX803L-17W | SC59 | D217 | APX803L05-17W | SC59 | D317 |
| APX803L-18W | SC59 | D218 | APX803L05-18W | SC59 | D318 |
| APX803L-19W | SC59 | D219 | APX803L05-19W | SC59 | D319 |
| APX803L-20W | SC59 | D220 | APX803L05-20W | SC59 | D320 |
| APX803L-21W | SC59 | D221 | APX803L05-21W | SC59 | D321 |
| APX803L-22W | SC59 | D222 | APX803L05-22W | SC59 | D322 |
| APX803L-23W | SC59 | D223 | APX803L05-23W | SC59 | D323 |
| APX803L-24W | SC59 | D224 | APX803L05-24W | SC59 | D324 |
| APX803L-25W | SC59 | D225 | APX803L05-25W | SC59 | D325 |
| APX803L-26W | SC59 | D226 | APX803L05-26W | SC59 | D326 |
| APX803L-27W | SC59 | D227 | APX803L05-27W | SC59 | D327 |
| APX803L-28W | SC59 | D228 | APX803L05-28W | SC59 | D328 |
| APX803L-29W | SC59 | D229 | APX803L05-29W | SC59 | D329 |
| APX803L-30W | SC59 | D230 | APX803L05-30W | SC59 | D330 |
| APX803L-31W | SC59 | D231 | APX803L05-31W | SC59 | D331 |
| APX803L-32W | SC59 | D232 | APX803L05-32W | SC59 | D332 |
| APX803L-33W | SC59 | D233 | APX803L05-33W | SC59 | D333 |
| APX803L-34W | SC59 | D234 | APX803L05-34W | SC59 | D334 |
| APX803L-35W | SC59 | D235 | APX803L05-35W | SC59 | D335 |
| APX803L-36W | SC59 | D236 | APX803L05-36W | SC59 | D336 |
| APX803L-37W | SC59 | D237 | APX803L05-37W | SC59 | D337 |
| APX803L-38W | SC59 | D238 | APX803L05-38W | SC59 | D338 |
| APX803L-39W | SC59 | D239 | APX803L05-39W | SC59 | D339 |
| APX803L-40W | SC59 | D240 | APX803L05-40W | SC59 | D340 |
| APX803L-41W | SC59 | D241 | APX803L05-41W | SC59 | D341 |
| APX803L-42W | SC59 | D242 | APX803L05-42W | SC59 | D342 |
| APX803L-43W | SC59 | D243 | APX803L05-43W | SC59 | D343 |
| APX803L-44W | SC59 | D244 | APX803L05-44W | SC59 | D344 |
| APX803L-45W | SC59 | D245 | APX803L05-45W | SC59 | D345 |
| APX803L-46W | SC59 | D246 | APX803L05-46W | SC59 | D346 |
| APX803L-47W | SC59 | D247 | APX803L05-47W | SC59 | D347 |
| APX803L-48W | SC59 | D248 | APX803L05-48W | SC59 | D348 |
| APX803L-49W | SC59 | D249 | APX803L05-49W | SC59 | D349 |
| APX803L-50W | SC59 | D250 | APX803L05-50W | SC59 | D350 |

NEW PRODUCT

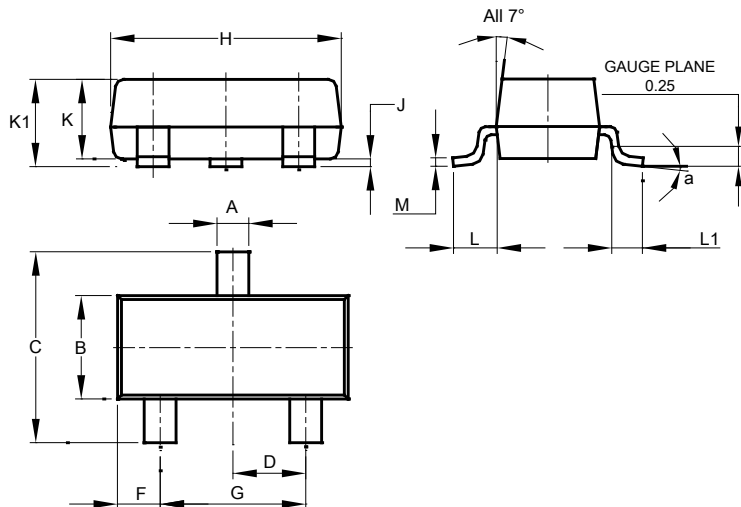
Marking Information (Cont.)

| Device | Package | Identification Code | Device | Package | Identification Code |
|---------------|---------|---------------------|---------------|---------|---------------------|
| APX803L20-12W | SC59 | D412 | APX803L40-12W | SC59 | D512 |
| APX803L20-13W | SC59 | D413 | APX803L40-13W | SC59 | D513 |
| APX803L20-14W | SC59 | D414 | APX803L40-14W | SC59 | D514 |
| APX803L20-15W | SC59 | D415 | APX803L40-15W | SC59 | D515 |
| APX803L20-16W | SC59 | D416 | APX803L40-16W | SC59 | D516 |
| APX803L20-17W | SC59 | D417 | APX803L40-17W | SC59 | D517 |
| APX803L20-18W | SC59 | D418 | APX803L40-18W | SC59 | D518 |
| APX803L20-19W | SC59 | D419 | APX803L40-19W | SC59 | D519 |
| APX803L20-20W | SC59 | D420 | APX803L40-20W | SC59 | D520 |
| APX803L20-21W | SC59 | D421 | APX803L40-21W | SC59 | D521 |
| APX803L20-22W | SC59 | D422 | APX803L40-22W | SC59 | D522 |
| APX803L20-23W | SC59 | D423 | APX803L40-23W | SC59 | D523 |
| APX803L20-24W | SC59 | D424 | APX803L40-24W | SC59 | D524 |
| APX803L20-25W | SC59 | D425 | APX803L40-25W | SC59 | D525 |
| APX803L20-26W | SC59 | D426 | APX803L40-26W | SC59 | D526 |
| APX803L20-27W | SC59 | D427 | APX803L40-27W | SC59 | D527 |
| APX803L20-28W | SC59 | D428 | APX803L40-28W | SC59 | D528 |
| APX803L20-29W | SC59 | D429 | APX803L40-29W | SC59 | D529 |
| APX803L20-30W | SC59 | D430 | APX803L40-30W | SC59 | D530 |
| APX803L20-31W | SC59 | D431 | APX803L40-31W | SC59 | D531 |
| APX803L20-32W | SC59 | D432 | APX803L40-32W | SC59 | D532 |
| APX803L20-33W | SC59 | D433 | APX803L40-33W | SC59 | D533 |
| APX803L20-34W | SC59 | D434 | APX803L40-34W | SC59 | D534 |
| APX803L20-35W | SC59 | D435 | APX803L40-35W | SC59 | D535 |
| APX803L20-36W | SC59 | D436 | APX803L40-36W | SC59 | D536 |
| APX803L20-37W | SC59 | D437 | APX803L40-37W | SC59 | D537 |
| APX803L20-38W | SC59 | D438 | APX803L40-38W | SC59 | D538 |
| APX803L20-39W | SC59 | D439 | APX803L40-39W | SC59 | D539 |
| APX803L20-40W | SC59 | D440 | APX803L40-40W | SC59 | D540 |
| APX803L20-41W | SC59 | D441 | APX803L40-41W | SC59 | D541 |
| APX803L20-42W | SC59 | D442 | APX803L40-42W | SC59 | D542 |
| APX803L20-43W | SC59 | D443 | APX803L40-43W | SC59 | D543 |
| APX803L20-44W | SC59 | D444 | APX803L40-44W | SC59 | D544 |
| APX803L20-45W | SC59 | D445 | APX803L40-45W | SC59 | D545 |
| APX803L20-46W | SC59 | D446 | APX803L40-46W | SC59 | D546 |
| APX803L20-47W | SC59 | D447 | APX803L40-47W | SC59 | D547 |
| APX803L20-48W | SC59 | D448 | APX803L40-48W | SC59 | D548 |
| APX803L20-49W | SC59 | D449 | APX803L40-49W | SC59 | D549 |
| APX803L20-50W | SC59 | D450 | APX803L40-50W | SC59 | D550 |

Package Outline Dimensions

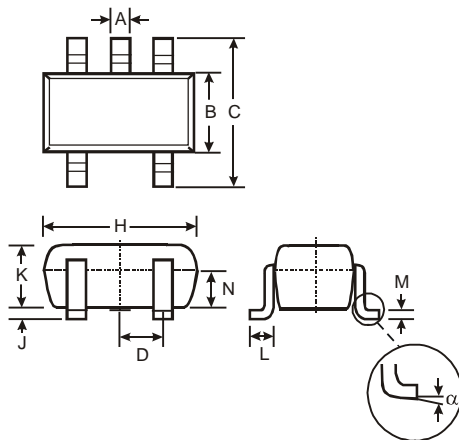
Please see <http://www.diodes.com/package-outlines.html> for the latest version.

(1) Package Type: SOT23



| SOT23 | | | |
|----------------------|-------|-------|-------|
| Dim | Min | Max | Typ |
| A | 0.37 | 0.51 | 0.40 |
| B | 1.20 | 1.40 | 1.30 |
| C | 2.30 | 2.50 | 2.40 |
| D | 0.89 | 1.03 | 0.915 |
| F | 0.45 | 0.60 | 0.535 |
| G | 1.78 | 2.05 | 1.83 |
| H | 2.80 | 3.00 | 2.90 |
| J | 0.013 | 0.10 | 0.05 |
| K | 0.890 | 1.00 | 0.975 |
| K1 | 0.903 | 1.10 | 1.025 |
| L | 0.45 | 0.61 | 0.55 |
| L1 | 0.25 | 0.55 | 0.40 |
| M | 0.085 | 0.150 | 0.110 |
| a | 0° | 8° | -- |
| All Dimensions in mm | | | |

(2) Package Type: SOT25



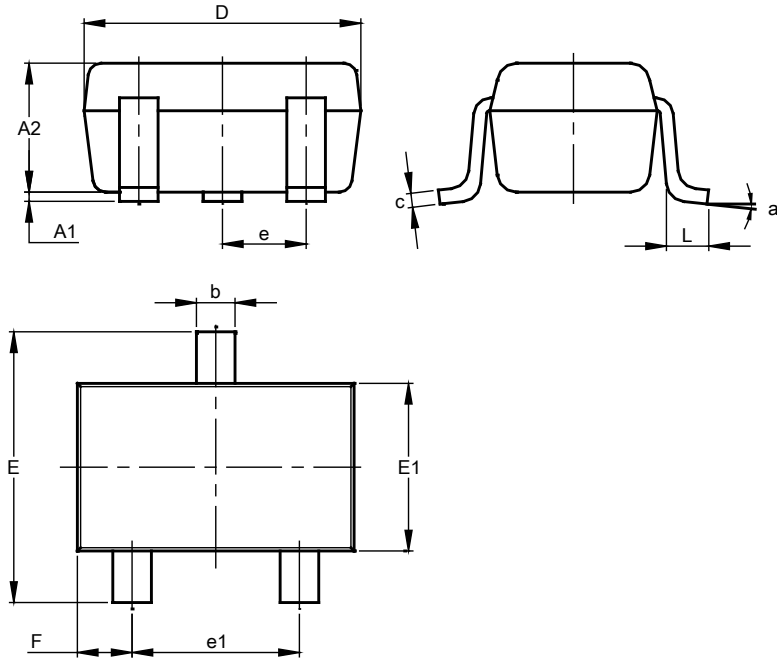
| SOT25 | | | |
|----------------------|-------|------|------|
| Dim | Min | Max | Typ |
| A | 0.35 | 0.50 | 0.38 |
| B | 1.50 | 1.70 | 1.60 |
| C | 2.70 | 3.00 | 2.80 |
| D | - | - | 0.95 |
| H | 2.90 | 3.10 | 3.00 |
| J | 0.013 | 0.10 | 0.05 |
| K | 1.00 | 1.30 | 1.10 |
| L | 0.35 | 0.55 | 0.40 |
| M | 0.10 | 0.20 | 0.15 |
| N | 0.70 | 0.80 | 0.75 |
| α | 0° | 8° | - |
| All Dimensions in mm | | | |

NEW PRODUCT

Package Outline Dimensions (Cont.)

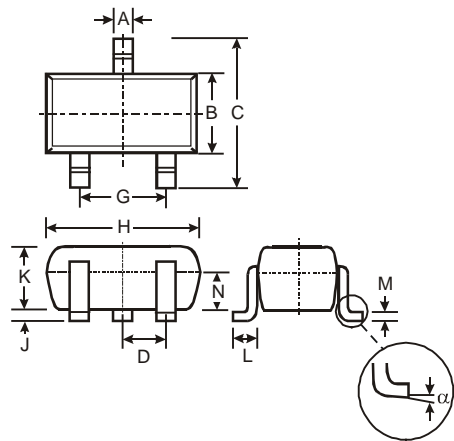
Please see <http://www.diodes.com/package-outlines.html> for the latest version.

(3) Package Type: SOT323



| SOT323 | | | |
|----------------------|-----------|-------|-------|
| Dim | Min | Max | Typ |
| A1 | 0.00 | 0.10 | 0.05 |
| A2 | 0.90 | 1.00 | 0.95 |
| b | 0.25 | 0.40 | 0.30 |
| c | 0.10 | 0.18 | 0.11 |
| D | 1.80 | 2.20 | 2.15 |
| E | 2.00 | 2.20 | 2.10 |
| E1 | 1.15 | 1.35 | 1.30 |
| e | 0.650 BSC | | |
| e1 | 1.20 | 1.40 | 1.30 |
| F | 0.375 | 0.475 | 0.425 |
| L | 0.25 | 0.40 | 0.30 |
| a | 0° | 8° | -- |
| All Dimensions in mm | | | |

(4) Package Type: SC59



| SC59 | | | |
|----------------------|-------|------|------|
| Dim | Min | Max | Typ |
| A | 0.35 | 0.50 | 0.38 |
| B | 1.50 | 1.70 | 1.60 |
| C | 2.70 | 3.00 | 2.80 |
| D | - | - | 0.95 |
| G | - | - | 1.90 |
| H | 2.90 | 3.10 | 3.00 |
| J | 0.013 | 0.10 | 0.05 |
| K | 1.00 | 1.30 | 1.10 |
| L | 0.35 | 0.55 | 0.40 |
| M | 0.10 | 0.20 | 0.15 |
| N | 0.70 | 0.80 | 0.75 |
| α | 0° | 8° | - |
| All Dimensions in mm | | | |

NEW PRODUCT

Suggested Pad Layout

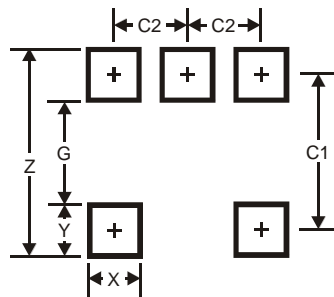
Please see <http://www.diodes.com/package-outlines.html> for the latest version.

(1) Package Type: SOT23



| Dimensions | Value (in mm) |
|------------|---------------|
| C | 2.0 |
| X | 0.8 |
| X1 | 1.35 |
| Y | 0.9 |
| Y1 | 2.9 |

(2) Package Type: SOT25



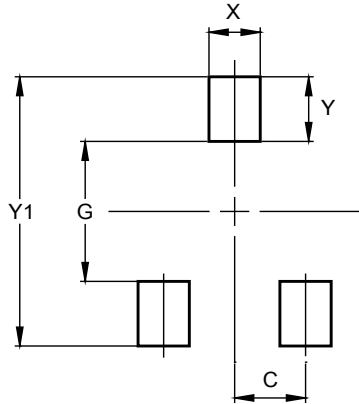
| Dimensions | Value (in mm) |
|------------|---------------|
| Z | 3.20 |
| G | 1.60 |
| X | 0.55 |
| Y | 0.80 |
| C1 | 2.40 |
| C2 | 0.95 |

NEW PRODUCT

Suggested Pad Layout (Cont.)

Please see <http://www.diodes.com/package-outlines.html> for the latest version.

(3) Package Type: SOT323



| Dimensions | Value (in mm) |
|------------|---------------|
| C | 0.650 |
| G | 1.300 |
| X | 0.470 |
| Y | 0.600 |
| Y1 | 2.500 |

(4) Package Type: SC59



| Dimensions | Value (in mm) |
|------------|---------------|
| Z | 3.4 |
| X | 0.8 |
| Y | 1.0 |
| C | 2.4 |
| E | 1.35 |

NEW PRODUCT

IMPORTANT NOTICE

DIODES INCORPORATED MAKES NO WARRANTY OF ANY KIND, EXPRESS OR IMPLIED, WITH REGARDS TO THIS DOCUMENT, INCLUDING, BUT NOT LIMITED TO, THE IMPLIED WARRANTIES OF MERCHANTABILITY AND FITNESS FOR A PARTICULAR PURPOSE (AND THEIR EQUIVALENTS UNDER THE LAWS OF ANY JURISDICTION).

Diodes Incorporated and its subsidiaries reserve the right to make modifications, enhancements, improvements, corrections or other changes without further notice to this document and any product described herein. Diodes Incorporated does not assume any liability arising out of the application or use of this document or any product described herein; neither does Diodes Incorporated convey any license under its patent or trademark rights, nor the rights of others. Any Customer or user of this document or products described herein in such applications shall assume all risks of such use and will agree to hold Diodes Incorporated and all the companies whose products are represented on Diodes Incorporated website, harmless against all damages.

Diodes Incorporated does not warrant or accept any liability whatsoever in respect of any products purchased through unauthorized sales channel. Should Customers purchase or use Diodes Incorporated products for any unintended or unauthorized application, Customers shall indemnify and hold Diodes Incorporated and its representatives harmless against all claims, damages, expenses, and attorney fees arising out of, directly or indirectly, any claim of personal injury or death associated with such unintended or unauthorized application.

Products described herein may be covered by one or more United States, international or foreign patents pending. Product names and markings noted herein may also be covered by one or more United States, international or foreign trademarks.

This document is written in English but may be translated into multiple languages for reference. Only the English version of this document is the final and determinative format released by Diodes Incorporated.

LIFE SUPPORT

Diodes Incorporated products are specifically not authorized for use as critical components in life support devices or systems without the express written approval of the Chief Executive Officer of Diodes Incorporated. As used herein:

A. Life support devices or systems are devices or systems which:

1. are intended to implant into the body, or
2. support or sustain life and whose failure to perform when properly used in accordance with instructions for use provided in the labeling can be reasonably expected to result in significant injury to the user.

B. A critical component is any component in a life support device or system whose failure to perform can be reasonably expected to cause the failure of the life support device or to affect its safety or effectiveness.

Customers represent that they have all necessary expertise in the safety and regulatory ramifications of their life support devices or systems, and acknowledge and agree that they are solely responsible for all legal, regulatory and safety-related requirements concerning their products and any use of Diodes Incorporated products in such safety-critical, life support devices or systems, notwithstanding any devices- or systems-related information or support that may be provided by Diodes Incorporated. Further, Customers must fully indemnify Diodes Incorporated and its representatives against any damages arising out of the use of Diodes Incorporated products in such safety-critical, life support devices or systems.

Copyright © 2016, Diodes Incorporated

www.diodes.com

Looking for pricing, stock, or lifecycle information?

Click below to explore more details on WIN SOURCE:

 [View APX803L20-35C3-7 on WIN SOURCE](#)

 [Diodes Incorporated Information](#)

Optimize Your Supply Chain with WIN SOURCE Solutions

-  Global Sourcing Solution
-  Obsolete Management
-  Cost Control Management
-  Shortage Management
-  Alternative Solution
-  Excess Inventory Management