



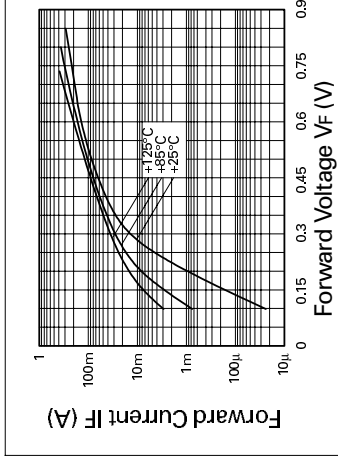
# THE DATASHEET OF BAT54TA



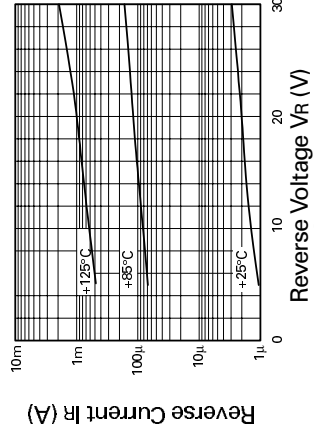
# BAT54 SERIES

SOT23 SILICON EPITAXIAL SCHOTTKY BARRIER DIODE  
 ISSUE 1 - SEPTEMBER 1995

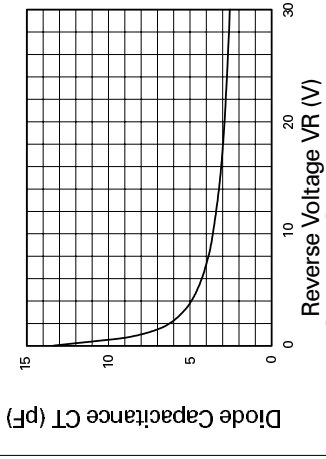
## TYPICAL CHARACTERISTICS



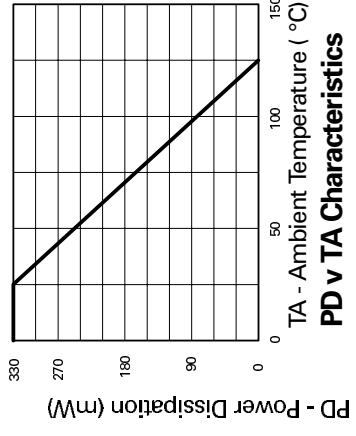
**IF v VF Characteristics**



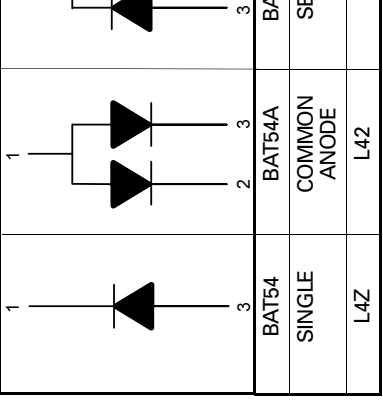
**IR v VR Characteristics**



**CT v VR Characteristics**



**PD v TA Characteristics**



**FEATURES:** Low  $V_F$  & High Current  
**APPLICATIONS:** PSU, Mobile Telecom

**ABSOLUTE MAXIMUM RATINGS**

PARAMETER	SYMBOL
Continuous Reverse Voltage	$V_{(BR)}$
Forward Current	$I_F$
Forward Voltage @ $I_F = 10\text{mA}$	$V_F$
Repetitive Peak Forward Current	$I_{F,REP}$
Non Repetitive Forward Current	$I_{F,NR}$
Power Dissipation at $T_{amb} = 25^\circ\text{C}$	$P_D$
Storage Temperature Range	$T_{STG}$
Junction Temperature	$T_J$

**ELECTRICAL CHARACTERISTICS**

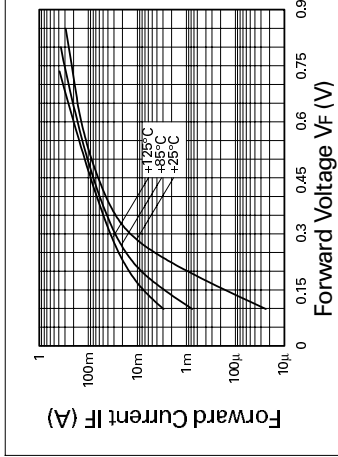
PARAMETER	SYMBOL
Reverse Breakdown Voltage	$V_{(BR)}$
Forward Voltage	$V_F$
Reverse Current	$I_R$
Diode Capacitance	$C_D$
Reverse Recover Time	$t_{rr}$

▫ Dual Device; For simultaneous continuous

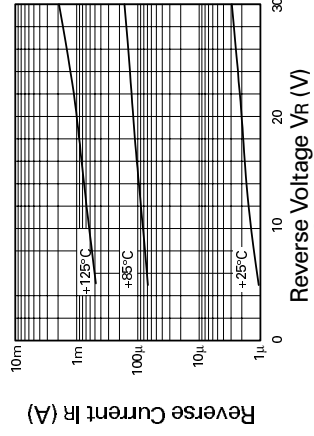
# BAT54 SERIES

SOT23 SILICON EPITAXIAL SCHOTTKY BARRIER DIODE  
 ISSUE 1 - SEPTEMBER 1995

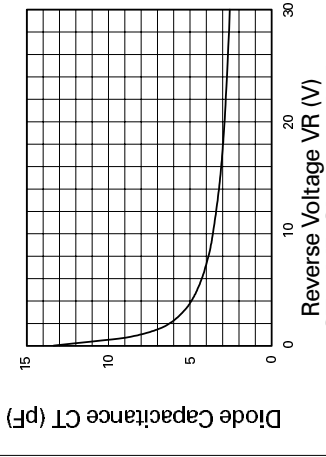
## TYPICAL CHARACTERISTICS



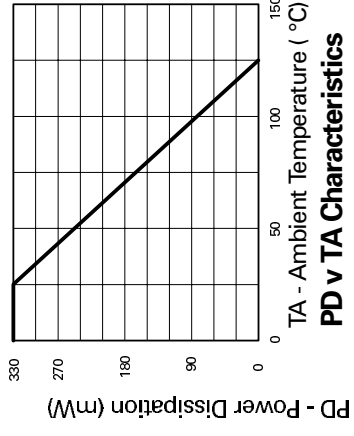
**IF v VF Characteristics**



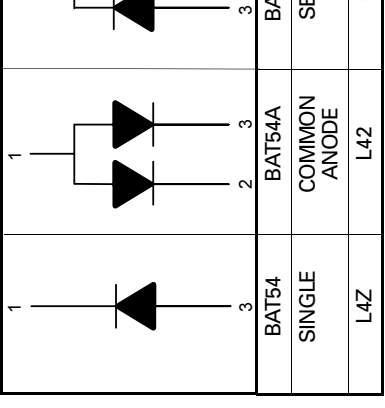
**IR v VR Characteristics**



**CT v VR Characteristics**



**PD v TA Characteristics**



**FEATURES:** Low  $V_F$  & High Current  
**APPLICATIONS:** PSU, Mobile Telecom



PARAMETER	SYMBOL
Continuous Reverse Voltage	$V_{(BR)}$
Forward Current	$I_F$
Forward Voltage @ $I_F = 10\text{mA}$	$V_F$
Repetitive Peak Forward Current	$I_{FPM}$
Non Repetitive Forward Current	$I_{FNM}$
Power Dissipation at $T_{amb} = 25^\circ\text{C}$	$P_D$
Storage Temperature Range	$T_{STG}$
Junction Temperature	$T_J$

PARAMETER	SYMBOL
Reverse Breakdown Voltage	$V_{(BR)}$
Forward Voltage	$V_F$
Reverse Current	$I_R$
Diode Capacitance	$C_D$
Reverse Recover Time	$t_{rr}$

□ Dual Device; For simultaneous continuous

## Looking for pricing, stock, or lifecycle information?

Click below to explore more details on WIN SOURCE:

-  [View BAT54TA on WIN SOURCE](#)
-  [Diodes Incorporated Information](#)

## Optimize Your Supply Chain with WIN SOURCE Solutions

-  Global Sourcing Solution
-  Obsolete Management
-  Cost Control Management
-  Shortage Management
-  Alternative Solution
-  Excess Inventory Management