



**THE DATASHEET OF
BLL6H0514L-130,112**



BLL6H0514L-130; BLL6H0514LS-130

LDMOS driver transistor

Rev. 3 — 1 September 2015

AMPLEON

Product data sheet

1. Product profile

1.1 General description

130 W LDMOS transistor intended for pulsed applications in the 0.5 GHz to 1.4 GHz range.

Table 1. Application information

Typical RF performance at $T_{case} = 25\text{ °C}$; $I_{DQ} = 50\text{ mA}$; in a class-AB application circuit.

| Mode of operation | f (MHz) | t_p (μs) | δ (%) | V_{DS} (V) | P_L (W) | G_p (dB) | RL_{in} (dB) | η_D (%) | $P_{droop(pulse)}$ (dB) | t_r (ns) | t_f (ns) |
|-------------------|--------------|----------------------------|-----------------|-----------------|--------------|---------------|-------------------|-----------------|----------------------------|---------------|---------------|
| pulsed RF | 960 to 1215 | 128 | 10 | 50 | 130 | 19 | 10 | 54 | 0 | 15 | 8 |
| | 1200 to 1400 | 300 | 10 | 50 | 130 | 17 | 10 | 50 | 0 | 15 | 8 |

1.2 Features and benefits

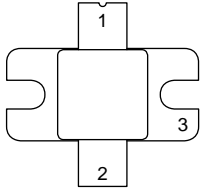
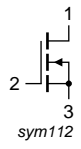
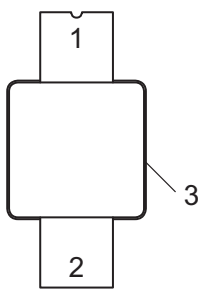
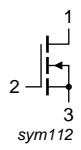
- Easy power control
- Integrated ESD protection
- High flexibility with respect to pulse formats
- Excellent ruggedness
- High efficiency
- Excellent thermal stability
- Designed for broadband operation (0.5 GHz to 1.4 GHz)
- Compliant to Directive 2002/95/EC, regarding Restriction of Hazardous Substances (RoHS)

1.3 Applications

- Amplifiers for pulsed applications in the 0.5 GHz to 1.4 GHz frequency range

2. Pinning information

Table 2. Pinning

| Pin | Description | Simplified outline | Graphic symbol |
|-----------------------------------|-------------|---|---|
| BLL6H0514L-130 (SOT1135A) | | | |
| 1 | drain |  |  sym112 |
| 2 | gate | | |
| 3 | source | | |
| BLL6H0514LS-130 (SOT1135B) | | | |
| 1 | drain |  |  sym112 |
| 2 | gate | | |
| 3 | source | | |

[1] Connected to flange.

3. Ordering information

Table 3. Ordering information

| Type number | Package | | |
|-----------------|---------|--|----------|
| | Name | Description | Version |
| BLL6H0514L-130 | - | flanged ceramic package; 2 mounting holes; 2 leads | SOT1135A |
| BLL6H0514LS-130 | - | earless flanged ceramic package; 2 leads | SOT1135B |

4. Limiting values

Table 4. Limiting values

In accordance with the Absolute Maximum Rating System (IEC 60134).

| Symbol | Parameter | Conditions | Min | Max | Unit |
|-----------|----------------------|------------|------|------|------|
| V_{DS} | drain-source voltage | | - | 100 | V |
| V_{GS} | gate-source voltage | | -0.5 | +13 | V |
| I_D | drain current | | - | 18 | A |
| T_{stg} | storage temperature | | -65 | +150 | °C |
| T_j | junction temperature | | - | 200 | °C |

5. Thermal characteristics

Table 5. Thermal characteristics

| Symbol | Parameter | Conditions | Typ | Unit |
|---------------|---|---|------|------|
| $Z_{th(j-c)}$ | transient thermal impedance from junction to case | $T_{case} = 85\text{ °C}; P_L = 130\text{ W}$ | | |
| | | $t_p = 100\text{ }\mu\text{s}; \delta = 10\text{ }\%$ | 0.17 | K/W |
| | | $t_p = 200\text{ }\mu\text{s}; \delta = 10\text{ }\%$ | 0.22 | K/W |
| | | $t_p = 300\text{ }\mu\text{s}; \delta = 10\text{ }\%$ | 0.25 | K/W |
| | | $t_p = 100\text{ }\mu\text{s}; \delta = 20\text{ }\%$ | 0.23 | K/W |
| | | $t_p = 1\text{ ms}; \delta = 10\text{ }\%$ | 0.36 | K/W |

6. Characteristics

Table 6. DC characteristics

$T_j = 25\text{ °C}$; per section unless otherwise specified.

| Symbol | Parameter | Conditions | Min | Typ | Max | Unit |
|---------------|----------------------------------|---|------|-----|------|---------------|
| $V_{(BR)DSS}$ | drain-source breakdown voltage | $V_{GS} = 0\text{ V}; I_D = 630\text{ mA}$ | 100 | - | - | V |
| $V_{GS(th)}$ | gate-source threshold voltage | $V_{DS} = 10\text{ V}; I_D = 135\text{ mA}$ | 1.3 | 1.8 | 2.25 | V |
| I_{DSS} | drain leakage current | $V_{GS} = 0\text{ V}; V_{DS} = 50\text{ V}$ | - | - | 1.4 | μA |
| I_{DSX} | drain cut-off current | $V_{GS} = V_{GS(th)} + 3.75\text{ V}; V_{DS} = 10\text{ V}$ | 15.8 | 18 | - | A |
| I_{GSS} | gate leakage current | $V_{GS} = 11\text{ V}; V_{DS} = 0\text{ V}$ | - | - | 140 | nA |
| g_{fs} | forward transconductance | $V_{DS} = 10\text{ V}; I_D = 135\text{ mA}$ | 806 | - | 1578 | mS |
| $R_{DS(on)}$ | drain-source on-state resistance | $V_{GS} = V_{GS(th)} + 6.25\text{ V}; I_D = 135\text{ mA}$ | - | 200 | 275 | m Ω |

Table 7. RF characteristics

Mode of operation: pulsed RF; $t_p = 300\text{ }\mu\text{s}; \delta = 10\text{ }\%$; RF performance at $V_{DS} = 50\text{ V}; I_{Dq} = 50\text{ mA}$; $f = 1.2\text{ GHz to }1.4\text{ GHz}; T_{case} = 25\text{ °C}$; unless otherwise specified, in a class-AB production test circuit.

| Symbol | Parameter | Conditions | Min | Typ | Max | Unit |
|--------------------|----------------------|----------------------|-----|-----|-----|------|
| P_L | output power | | 130 | - | - | W |
| V_{DS} | drain-source voltage | $P_L = 130\text{ W}$ | - | - | 50 | V |
| G_p | power gain | $P_L = 130\text{ W}$ | 15 | 17 | - | dB |
| RL_{in} | input return loss | $P_L = 130\text{ W}$ | 7 | 10 | - | dB |
| η_D | drain efficiency | $P_L = 130\text{ W}$ | 45 | 50 | - | % |
| $P_{droop(pulse)}$ | pulse droop power | $P_L = 130\text{ W}$ | - | 0 | 0.3 | dB |
| t_r | rise time | $P_L = 130\text{ W}$ | - | 20 | 50 | ns |
| t_f | fall time | $P_L = 130\text{ W}$ | - | 6 | 50 | ns |

6.1 Ruggedness in class-AB operation

The BLL6H0514L-130 and BLL6H0514LS-130 are capable of withstanding a load mismatch corresponding to VSWR = 5 : 1 through all phases under the following conditions: $V_{DS} = 50\text{ V}$; $I_{DQ} = 50\text{ mA}$; $P_L = 130\text{ W}$; $f = 1.2\text{ GHz to }1.4\text{ GHz}$; $t_p = 300\text{ }\mu\text{s}$; $\delta = 10\text{ \%}$.

7. Application information

7.1 Impedance information

Table 8. Typical impedance

| f MHz | Z_S Ω | Z_L Ω |
|----------|-------------------|-------------------|
| 1200 | 1.21 – j3.44 | 2.40 – j0.63 |
| 1300 | 1.56 – j4.49 | 2.30 – j0.87 |
| 1400 | 2.21 – j4.86 | 2.00 – j1.71 |

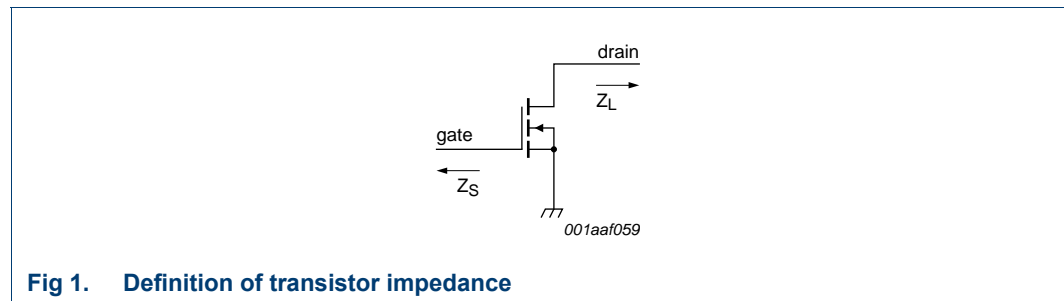
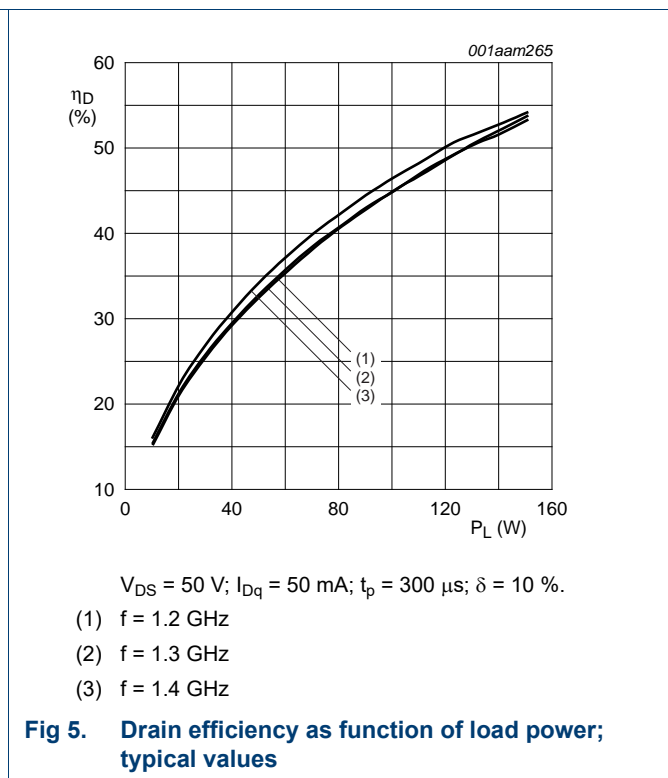
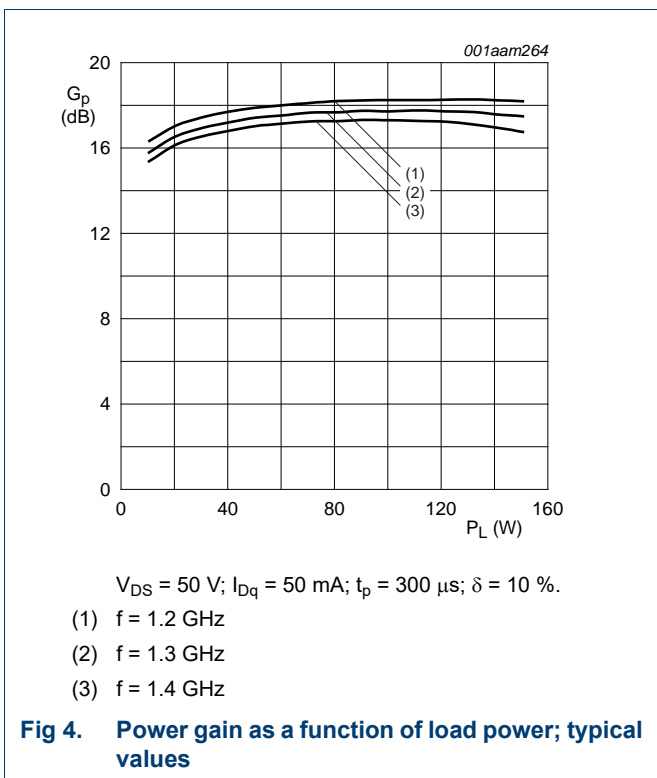
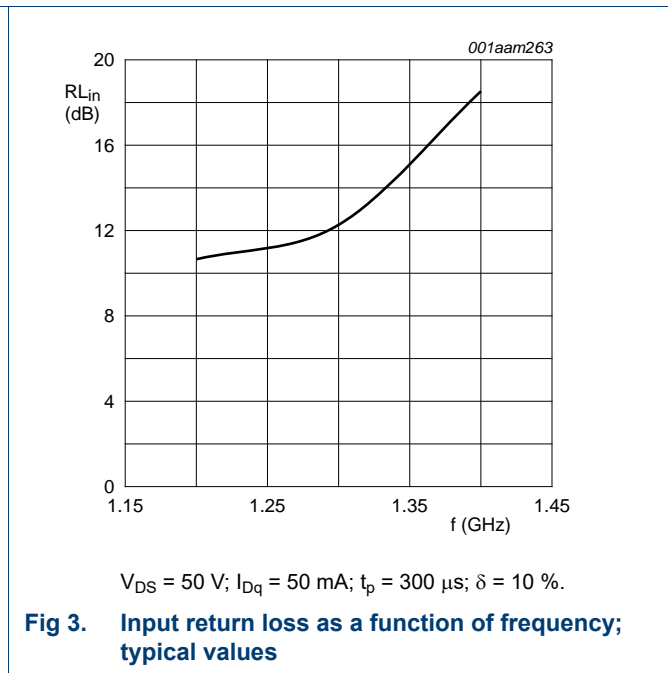
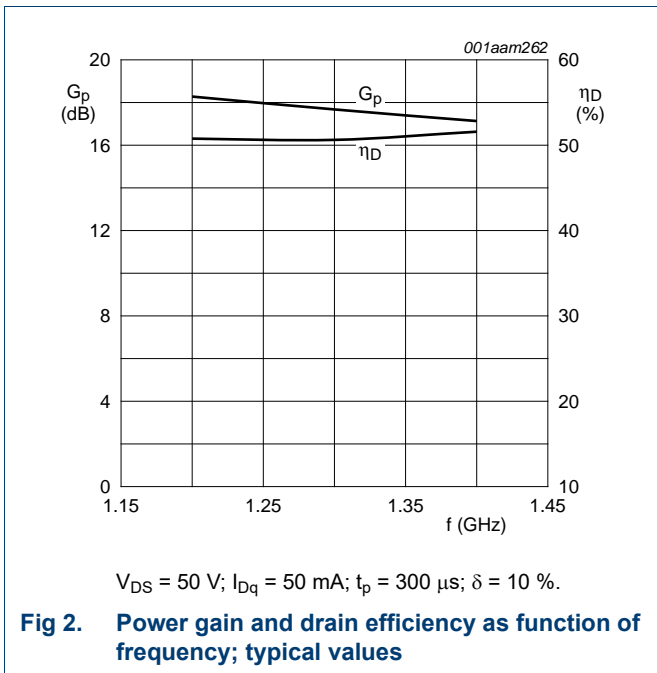
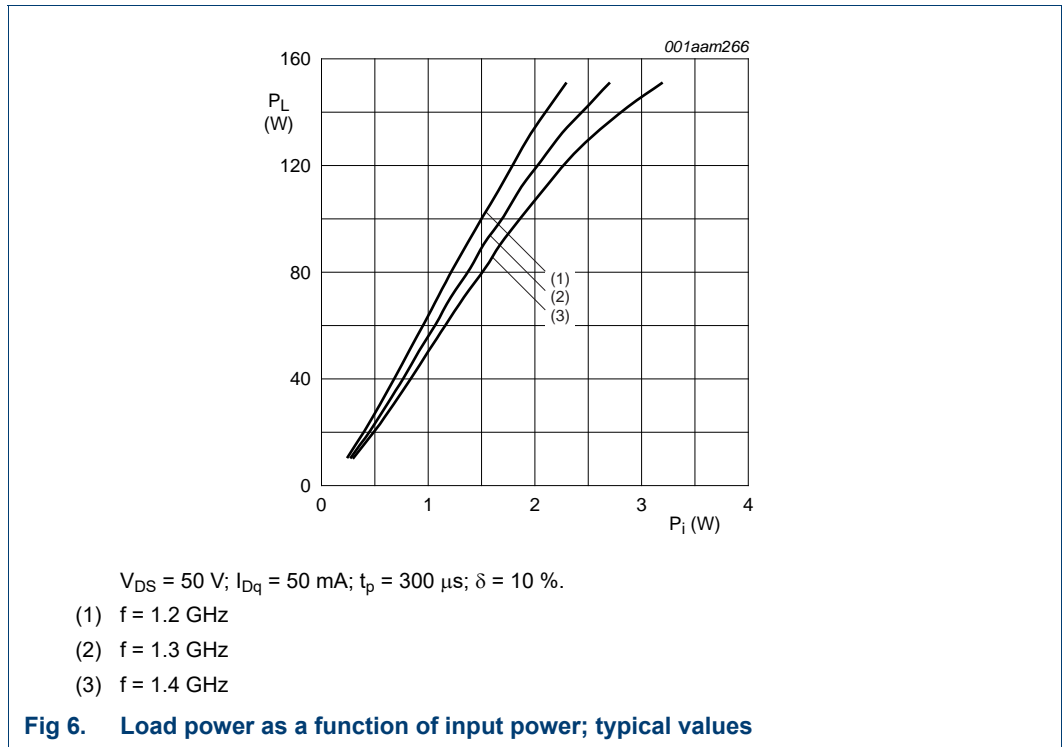


Fig 1. Definition of transistor impedance

7.2 Performance curves





8. Test information

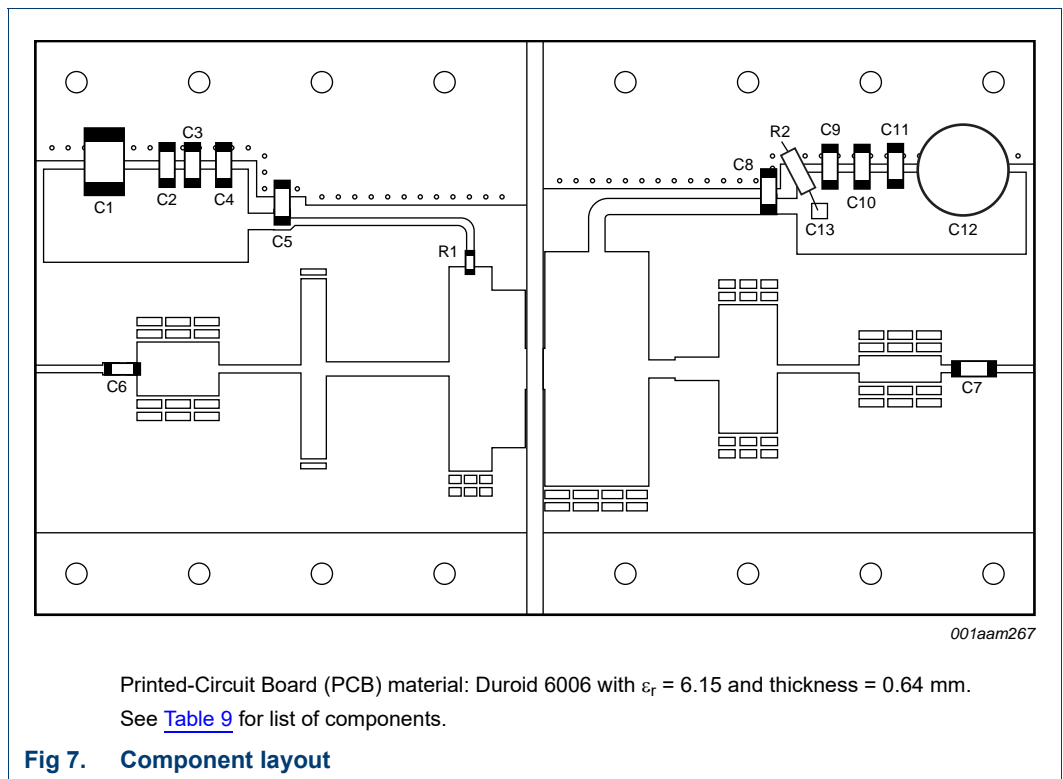


Table 9. List of components

See [Figure 7](#) for component layout.

| Component | Description | Value | Remarks |
|---------------------|-----------------------------------|------------------------|---|
| C1 | multilayer ceramic chip capacitor | 10 μ F; 50 V | |
| C2, C11 | multilayer ceramic chip capacitor | 1 nF | [1] |
| C3, C4, C6, C9, C10 | multilayer ceramic chip capacitor | 100 pF | [2] |
| C5, C7, C8 | multilayer ceramic chip capacitor | 43 pF | [2] |
| C12 | electrolytic capacitor | 220 μ F; 63 V | |
| C13 | multilayer ceramic chip capacitor | 1 nF | [3] fitted vertically in series with R2 |
| R1 | SMD resistor | 10 Ω | SMD 0603 |
| R2 | wirewound lead resistor | 2.61 Ω ; 0.25 W | fitted in series with C13 |

[1] American Technical Ceramics type 700A or capacitor of same quality.

[2] American Technical Ceramics type 100A or capacitor of same quality.

[3] American Technical Ceramics type 100B or capacitor of same quality.

9. Package outline

Flanged ceramic package; 2 mounting holes; 2 leads

SOT1135A

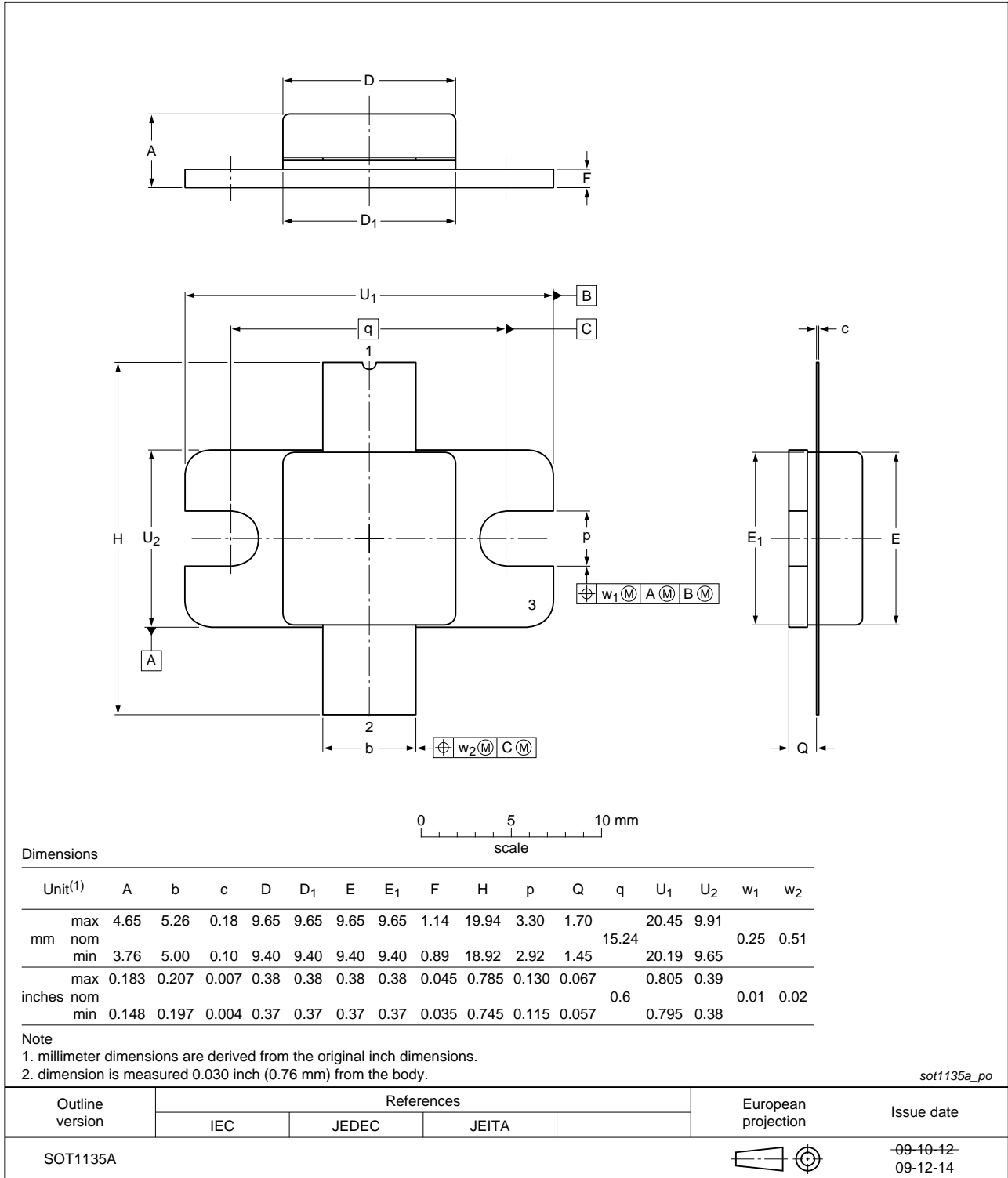
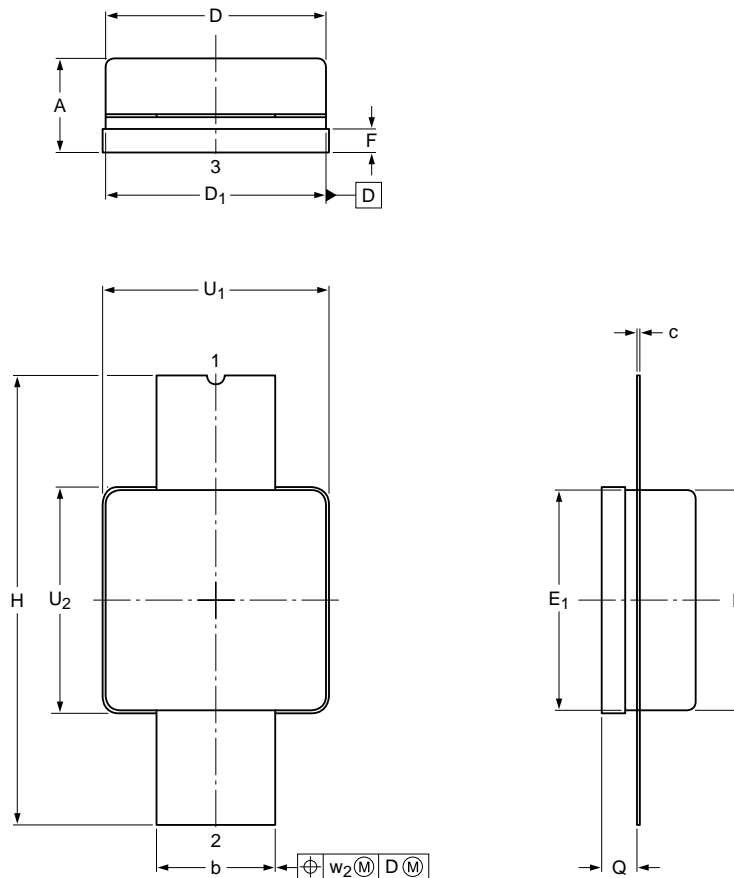


Fig 8. Package outline SOT1135A

Earless flanged ceramic package; 2 leads

SOT1135B



Dimensions

| Unit ⁽¹⁾ | A | b | c | D | D ₁ | E | E ₁ | F | H | Q | U ₁ | U ₂ | w ₂ |
|---------------------|-----|-------|-------|-------|----------------|------|----------------|-------|-------|-------|----------------|----------------|----------------|
| mm | max | 4.65 | 5.26 | 0.18 | 9.65 | 9.65 | 9.65 | 1.14 | 19.94 | 1.70 | 9.91 | 9.91 | 0.51 |
| | nom | | | | | | | | | | | | |
| | min | 3.76 | 5.00 | 0.10 | 9.40 | 9.40 | 9.40 | 9.40 | 0.89 | 18.92 | 1.45 | 9.65 | |
| inches | max | 0.183 | 0.207 | 0.007 | 0.38 | 0.38 | 0.38 | 0.045 | 0.785 | 0.067 | 0.39 | 0.39 | 0.02 |
| | nom | | | | | | | | | | | | |
| | min | 0.148 | 0.197 | 0.004 | 0.37 | 0.37 | 0.37 | 0.37 | 0.035 | 0.745 | 0.057 | 0.38 | |

Note

1. millimeter dimensions are derived from the original inch dimensions.
2. dimension is measured 0.030 inch (0.76 mm) from the body.

sot1135b_po

| Outline version | References | | | European projection | Issue date |
|-----------------|------------|-------|-------|---------------------|------------------------|
| | IEC | JEDEC | JEITA | | |
| SOT1135B | | | | | -09-10-12- 09-12-14 |

Fig 9. Package outline SOT1135B

10. Handling information

CAUTION



This device is sensitive to ElectroStatic Discharge (ESD). Observe precautions for handling electrostatic sensitive devices.

Such precautions are described in the *ANSI/ESD S20.20*, *IEC/ST 61340-5*, *JESD625-A* or equivalent standards.

11. Abbreviations

Table 10. Abbreviations

| Acronym | Description |
|---------|--|
| LDMOS | Laterally Diffused Metal-Oxide Semiconductor |
| RF | Radio Frequency |
| SMD | Surface Mounted Device |
| VSWR | Voltage Standing-Wave Ratio |

12. Revision history

Table 11. Revision history

| Document ID | Release date | Data sheet status | Change notice | Supersedes |
|-------------------------------|--|------------------------|---------------|-------------------------------|
| BLL6H0514L-130_0514LS-130#3 | 20150901 | Product data sheet | | BLL6H0514L-130_0514LS-130 v.2 |
| Modifications: | <ul style="list-style-type: none"> The format of this document has been redesigned to comply with the new identity guidelines of Ampleon. Legal texts have been adapted to the new company name where appropriate. | | | |
| BLL6H0514L-130_0514LS-130 v.2 | 20100913 | Product data sheet | - | BLL6H0514L-130_0514LS-130 v.1 |
| BLL6H0514L-130_0514LS-130 v.1 | 20100809 | Preliminary data sheet | - | - |

13. Legal information

13.1 Data sheet status

| Document status ^{[1][2]} | Product status ^[3] | Definition |
|-----------------------------------|-------------------------------|---|
| Objective [short] data sheet | Development | This document contains data from the objective specification for product development. |
| Preliminary [short] data sheet | Qualification | This document contains data from the preliminary specification. |
| Product [short] data sheet | Production | This document contains the product specification. |

[1] Please consult the most recently issued document before initiating or completing a design.

[2] The term 'short data sheet' is explained in section "Definitions".

[3] The product status of device(s) described in this document may have changed since this document was published and may differ in case of multiple devices. The latest product status information is available on the Internet at URL <http://www.ampleon.com>.

13.2 Definitions

Draft — The document is a draft version only. The content is still under internal review and subject to formal approval, which may result in modifications or additions. Ampleon does not give any representations or warranties as to the accuracy or completeness of information included herein and shall have no liability for the consequences of use of such information.

Short data sheet — A short data sheet is an extract from a full data sheet with the same product type number(s) and title. A short data sheet is intended for quick reference only and should not be relied upon to contain detailed and full information. For detailed and full information see the relevant full data sheet, which is available on request via the local Ampleon sales office. In case of any inconsistency or conflict with the short data sheet, the full data sheet shall prevail.

Product specification — The information and data provided in a Product data sheet shall define the specification of the product as agreed between Ampleon and its customer, unless Ampleon and customer have explicitly agreed otherwise in writing. In no event however, shall an agreement be valid in which the Ampleon product is deemed to offer functions and qualities beyond those described in the Product data sheet.

Ampleon product can reasonably be expected to result in personal injury, death or severe property or environmental damage. Ampleon and its suppliers accept no liability for inclusion and/or use of Ampleon products in such equipment or applications and therefore such inclusion and/or use is at the customer's own risk.

Applications — Applications that are described herein for any of these products are for illustrative purposes only. Ampleon makes no representation or warranty that such applications will be suitable for the specified use without further testing or modification.

Customers are responsible for the design and operation of their applications and products using Ampleon products, and Ampleon accepts no liability for any assistance with applications or customer product design. It is customer's sole responsibility to determine whether the Ampleon product is suitable and fit for the customer's applications and products planned, as well as for the planned application and use of customer's third party customer(s). Customers should provide appropriate design and operating safeguards to minimize the risks associated with their applications and products.

Ampleon does not accept any liability related to any default, damage, costs or problem which is based on any weakness or default in the customer's applications or products, or the application or use by customer's third party customer(s). Customer is responsible for doing all necessary testing for the customer's applications and products using Ampleon products in order to avoid a default of the applications and the products or of the application or use by customer's third party customer(s). Ampleon does not accept any liability in this respect.

Limiting values — Stress above one or more limiting values (as defined in the Absolute Maximum Ratings System of IEC 60134) will cause permanent damage to the device. Limiting values are stress ratings only and (proper) operation of the device at these or any other conditions above those given in the Recommended operating conditions section (if present) or the Characteristics sections of this document is not warranted. Constant or repeated exposure to limiting values will permanently and irreversibly affect the quality and reliability of the device.

Terms and conditions of commercial sale — Ampleon products are sold subject to the general terms and conditions of commercial sale, as published at <http://www.ampleon.com/terms>, unless otherwise agreed in a valid written individual agreement. In case an individual agreement is concluded only the terms and conditions of the respective agreement shall apply. Ampleon hereby expressly objects to applying the customer's general terms and conditions with regard to the purchase of Ampleon products by customer.

No offer to sell or license — Nothing in this document may be interpreted or construed as an offer to sell products that is open for acceptance or the grant, conveyance or implication of any license under any copyrights, patents or other industrial or intellectual property rights.

Export control — This document as well as the item(s) described herein may be subject to export control regulations. Export might require a prior authorization from competent authorities.

13.3 Disclaimers

Limited warranty and liability — Information in this document is believed to be accurate and reliable. However, Ampleon does not give any representations or warranties, expressed or implied, as to the accuracy or completeness of such information and shall have no liability for the consequences of use of such information. Ampleon takes no responsibility for the content in this document if provided by an information source outside of Ampleon.

In no event shall Ampleon be liable for any indirect, incidental, punitive, special or consequential damages (including - without limitation - lost profits, lost savings, business interruption, costs related to the removal or replacement of any products or rework charges) whether or not such damages are based on tort (including negligence), warranty, breach of contract or any other legal theory.

Notwithstanding any damages that customer might incur for any reason whatsoever, Ampleon' aggregate and cumulative liability towards customer for the products described herein shall be limited in accordance with the *Terms and conditions of commercial sale* of Ampleon.

Right to make changes — Ampleon reserves the right to make changes to information published in this document, including without limitation specifications and product descriptions, at any time and without notice. This document supersedes and replaces all information supplied prior to the publication hereof.

Suitability for use — Ampleon products are not designed, authorized or warranted to be suitable for use in life support, life-critical or safety-critical systems or equipment, nor in applications where failure or malfunction of an

Non-automotive qualified products — Unless this data sheet expressly states that this specific Ampleon product is automotive qualified, the product is not suitable for automotive use. It is neither qualified nor tested in accordance with automotive testing or application requirements. Ampleon accepts no liability for inclusion and/or use of non-automotive qualified products in automotive equipment or applications.

In the event that customer uses the product for design-in and use in automotive applications to automotive specifications and standards, customer (a) shall use the product without Ampleon' warranty of the product for such automotive applications, use and specifications, and (b) whenever customer uses the product for automotive applications beyond Ampleon' specifications such use shall be solely at customer's own risk, and (c) customer fully indemnifies Ampleon for any liability, damages or failed product claims resulting from customer design and use of the product for automotive applications beyond Ampleon' standard warranty and Ampleon' product specifications.

14. Contact information

For more information, please visit:

<http://www.ampleon.com>

13.4 Trademarks

Notice: All referenced brands, product names, service names and trademarks are the property of their respective owners.

Any reference or use of any 'NXP' trademark in this document or in or on the surface of Ampleon products does not result in any claim, liability or entitlement vis-à-vis the owner of this trademark. Ampleon is no longer part of the NXP group of companies and any reference to or use of the 'NXP' trademarks will be replaced by reference to or use of Ampleon's own Any reference or use of any 'NXP' trademark in this document or in or on the surface of Ampleon products does not result in any claim, liability or entitlement vis-à-vis the owner of this trademark. Ampleon is no longer part of the NXP group of companies and any reference to or use of the 'NXP' trademarks will be replaced by reference to or use of Ampleon's own trademarks.

For sales office addresses, please visit:

<http://www.ampleon.com/sales>

15. Contents

| | | |
|-----------|--|-----------|
| 1 | Product profile | 1 |
| 1.1 | General description | 1 |
| 1.2 | Features and benefits | 1 |
| 1.3 | Applications | 1 |
| 2 | Pinning information | 2 |
| 3 | Ordering information | 2 |
| 4 | Limiting values | 2 |
| 5 | Thermal characteristics | 3 |
| 6 | Characteristics | 3 |
| 6.1 | Ruggedness in class-AB operation | 4 |
| 7 | Application information | 4 |
| 7.1 | Impedance information | 4 |
| 7.2 | Performance curves | 5 |
| 8 | Test information | 6 |
| 9 | Package outline | 8 |
| 10 | Handling information | 10 |
| 11 | Abbreviations | 10 |
| 12 | Revision history | 10 |
| 13 | Legal information | 11 |
| 13.1 | Data sheet status | 11 |
| 13.2 | Definitions | 11 |
| 13.3 | Disclaimers | 11 |
| 13.4 | Trademarks | 12 |
| 14 | Contact information | 12 |
| 15 | Contents | 13 |

Please be aware that important notices concerning this document and the product(s) described herein, have been included in section 'Legal information'.

© Ampleon The Netherlands B.V. 2015. All rights reserved.

For more information, please visit: <http://www.ampleon.com>
 For sales office addresses, please visit: <http://www.ampleon.com/sales>

Date of release: 1 September 2015

Document identifier: BLL6H0514L-130_0514LS-130#3

Looking for pricing, stock, or lifecycle information?

Click below to explore more details on WIN SOURCE:

- ⊖ [View BLL6H0514L-130,112 on WIN SOURCE](#)
- ⊖ [Ampleon USA Inc. Information](#)

Optimize Your Supply Chain with WIN SOURCE Solutions

- ✓ Global Sourcing Solution
- ✓ Obsolete Management
- ✓ Cost Control Management
- ✓ Shortage Management
- ✓ Alternative Solution
- ✓ Excess Inventory Management