



THE DATASHEET OF BUY69A





BUY69A

HIGH VOLTAGE NPN SILICON TRANSISTOR

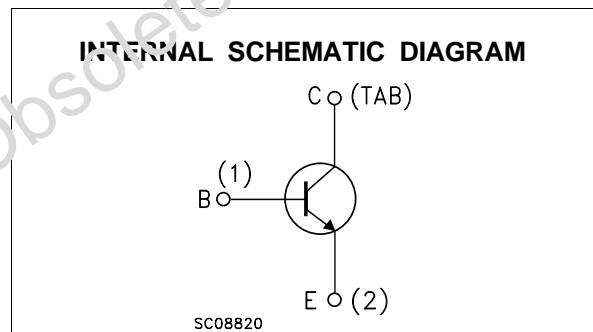
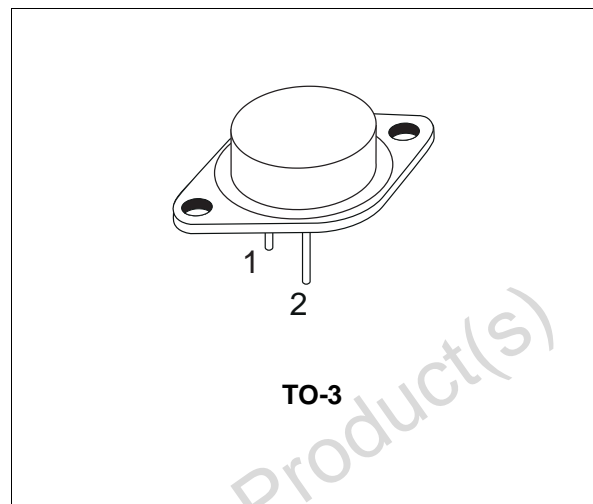
- STM PREFERRED SALESTYPE
- NPN TRANSISTOR
- HIGH VOLTAGE CAPABILITY
- HIGH CURRENT CAPABILITY
- FAST SWITCHING SPEED
- HIGH POWER TO-3 PACKAGE

APPLICATIONS:

- HORIZONTAL DEFLECTION FOR COLOUR TV
- SWITCHING REGULATORS

DESCRIPTION

The BUY69A is a silicon Multi-Epitaxial mesa NPN transistor in Jedec TO-3 metal case. It is intended for horizontal deflection output stage of CTV receivers and high voltage, fast switching and industrial applications.



ABSOLUTE MAXIMUM RATINGS

Symbol	Parameter	Value	Unit
V_{CES}	Collector-Emitter Voltage ($V_{BE} = 0$)	1000	V
V_{CEO}	Collector-Emitter Voltage ($I_B = 0$)	400	V
V_{EBO}	Emitter-Base Voltage ($I_C = 0$)	8	V
I_C	Collector Current	10	A
I_{CM}	Collector Peak Current ($t_p \leq 10$ ms)	15	A
I_B	Base Current	3	A
P_{tot}	Total Dissipation at $T_c \leq 25$ °C	100	W
T_{stg}	Storage Temperature	-65 to 200	°C
T_j	Max. Operating Junction Temperature	200	°C

BUY69A

THERMAL DATA

$R_{thj-case}$	Thermal Resistance Junction-case	Max	1.75	$^{\circ}C/W$
----------------	----------------------------------	-----	------	---------------

ELECTRICAL CHARACTERISTICS ($T_{case} = 25^{\circ}C$ unless otherwise specified)

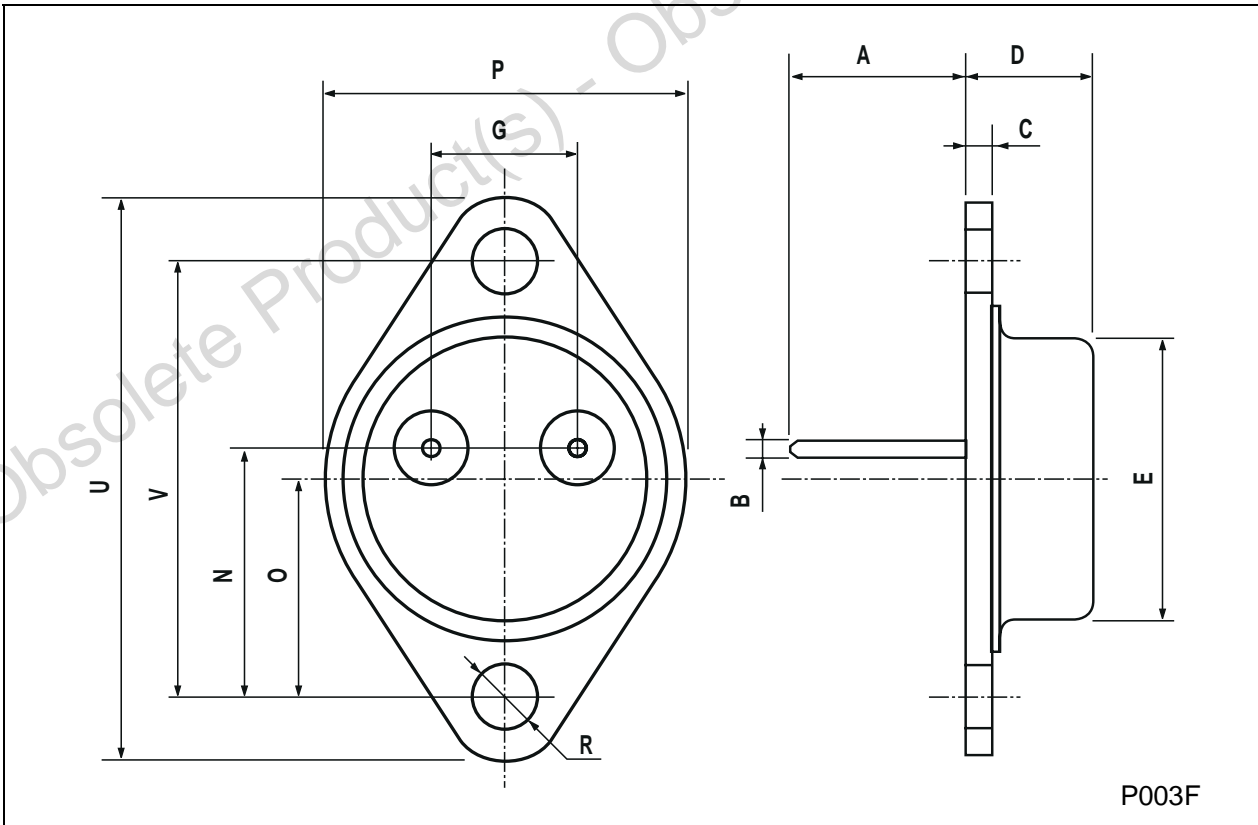
Symbol	Parameter	Test Conditions	Min.	Typ.	Max.	Unit
I_{CES}	Collector Cut-off Current ($V_{BE} = 0$)	$V_{CE} = 1000 V$			1	mA
I_{EBO}	Emitter Cut-off Current ($I_C = 0$)	$V_{EB} = 8 V$			1	mA
$V_{CEO(sus)}$	Collector-Emitter Sustaining Voltage ($I_B = 0$)	$I_C = 100 mA$	400			V
$V_{CE(sat)*}$	Collector-Emitter Saturation Voltage	$I_C = 8 A$ $I_B = 2.5 A$			3.3	V
$V_{BE(sat)*}$	Base-Emitter Saturation Voltage	$I_C = 8 A$ $I_B = 2.5 A$			2.2	V
h_{FE*}	DC Current Gain	$I_C = 2.5 A$ $V_{CE} = 10 V$	15			
f_T	Transition Frequency	$I_C = 0.5 A$ $V_{CE} = 10 V$		10		MHz
$I_{s/b}^{**}$	Second Breakdown Collector Current	$V_{CE} = 25 V$	4			A
t_{on}	Turn on Time	$I_C = 5 A$ $V_{CE} = 250 V$ $I_{B1} = 1 A$		0.2		μs
t_s t_s	Storage Time Fall Time	$I_C = 5 A$ $V_{CE} = 250 V$ $I_{B1} = - I_{B2} = 1 A$			1.7 0.3	μs μs
t_f	Fall Time	$I_C = 8 A$ $V_{CE} = 40 V$ $I_{B1} = - I_{B2} = 2.5 A$			1	μs

* Pulsed: Pulse duration = 300 μs , duty cycle 1.5 %

** Pulsed: 1s, non repetitive pulse.

TO-3 MECHANICAL DATA

DIM.	mm			inch		
	MIN.	TYP.	MAX.	MIN.	TYP.	MAX.
A	11.00		13.10	0.433		0.516
B	0.97		1.15	0.038		0.045
C	1.50		1.65	0.059		0.065
D	8.32		8.92	0.327		0.351
E	19.00		20.00	0.748		0.787
G	10.70		11.10	0.421		0.437
N	16.50		17.20	0.649		0.677
P	25.00		26.00	0.984		1.023
R	4.00		4.09	0.157		0.161
U	38.50		39.30	1.515		1.547
V	30.00		30.30	1.187		1.193



Obsolete Product(s) - Obsolete Product(s)

Information furnished is believed to be accurate and reliable. However, STMicroelectronics assumes no responsibility for the consequences of use of such information nor for any infringement of patents or other rights of third parties which may result from its use. No license is granted by implication or otherwise under any patent or patent rights of STMicroelectronics. Specification mentioned in this publication are subject to change without notice. This publication supersedes and replaces all information previously supplied. STMicroelectronics products are not authorized for use as critical components in life support devices or systems without express written approval of STMicroelectronics.

The ST logo is a trademark of STMicroelectronics.

All other names are the property of their respective owners.

© 2003 STMicroelectronics – All Rights reserved



STMicroelectronics GROUP OF COMPANIES

Australia - Belgium - Brazil - Canada - China - Czech Republic - Finland - France - Germany - Hong Kong - India - Israel - Italy - Japan - Malaysia - Malta - Morocco - Singapore - Spain - Sweden - Switzerland - United Kingdom - United States.

<http://www.st.com>

Looking for pricing, stock, or lifecycle information?

Click below to explore more details on WIN SOURCE:

-  [View BUY69A](#) on WIN SOURCE
-  [STMicroelectronics](#) Information

Optimize Your Supply Chain with WIN SOURCE Solutions

-  Global Sourcing Solution
-  Obsolete Management
-  Cost Control Management
-  Shortage Management
-  Alternative Solution
-  Excess Inventory Management