



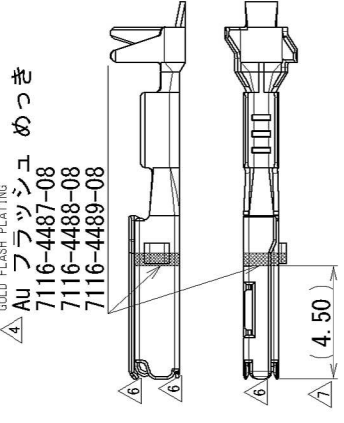
**THE DATASHEET OF**  
**121M31**



TABLE 1 WIRE CRIMP SIZE		PART NO. AND CH. CODE	△ C	△ V	W1	W2	△ H1	△ H2	△ 3 (INSULATION DIAMETER: φ0.91~φ1.90)
S	7116-4415-02, C	ETC.	3.0	1.9	1.49	2.82	1.82	2.84	△ 3 (JASO) 0.3 △ 3 (ISO) 0.22~0.35
M	7116-4416-02, C	△ (7B16-4416-02, G)	3.0	1.9	1.82	2.94	2.20	3.13	△ 3 (JASO) 0.5 △ 3 (ISO) 0.5
L	7116-4417-02, C	ETC.	△ SEE DWG	1.65	△ 1.96	3.10	2.55	3.53	△ 3 (JASO) 0.85 △ 3 (ISO) 0.75

△ 2. DETAIL OF CONDUCTOR BARREL  
(7116-4417-02)  
(7116-4417-08)  
(7116-4489-08)

△ 4. GOLD FLASH PLATING  
Au フラッシュ めっき  
7116-4487-08  
7116-4488-08  
7116-4489-08



NOTES

1. MALE TERMINAL PART NO. : 7114-4415-02, -4416-02, -4417-02
2. APPLICABLE WIRE SEAL PART NO. : 7158-3165-90, -3166-60, -3167-80, -3168-80, -3182-20
3. PART NUMBERS IN PARENTHESIS SHALL BE USED FOR AIR BAG(A/B) CIRCUITS AND OTHER CIRCUITS DESIGNATED FOR SPECIAL CONTROL.

注記

1. かん合端子品番 : 7114-4415-02, -4416-02, -4417-02
2. 適用ゴム栓品番 : 7158-3165-90, -3166-60, -3167-80, -3168-80, -3182-20
3. ( )内の品番はA/B回路及び特別管理回路に使用すること。

△	2015/11/25	CHANGED DIMENSION	C15-Z542	S, P
△ 6	2006/03/30	CHANGE FORM. ETC., C	C06-Z314	S, K
△ 6	2004/11/22	ADDED TOLERANCE	C04-ZF29	Y, I
△ 4	2003/12/11	ADDED GOLD PLATING ETC., A	C03-X787	H, Y
△ 3	2002/09/23	ADDED PART NO. ETC.	C02-Y003	H, Y
△ 2	2002/06/05	REVISED FORM. ETC., A	C02-X502	T, Y
△ 1	2001/10/30	CHANGED DIMENSION	C01-Y113	H, Y
△ 1	2001/09/04	NEW	C01-X871	H, Y

LET	DATE	REVISION RECORD	NO.	CHKD	REVISION RECORD	NO.	CHKD

GENERAL TOLERANCE		10MAX	50MAX	100MAX	250MAX	250OVR	ANGLE	ECCENT
A	±0.15	±0.2	±0.3	±0.5	±0.75	±30'	±30'	O, 1
B	±0.2	±0.3	±0.55	±0.95	±1.4	±30'	±30'	O, 1
C	±0.3	±0.5	±0.8	±1.4	±2	±30'	±30'	O, 15

△ 6. GENERAL TOLERANCE										
10 MAX	50 MAX	100 MAX	250 MAX	250 OVR	R5 MAX	R10 MAX	R20 MAX	R20 OVR	ANGLE	ECCENT
A	±0.15	±0.2	±0.3	±0.5	±0.75	±0.2	±0.3	±0.5	±3°	0.1
B	±0.2	±0.3	±0.55	±0.95	±1.4	±0.2	±0.3	±0.5	±3°	0.1
C	±0.3	±0.5	±0.8	±1.4	±2	±0.2	±0.3	±0.5	±3°	0.15


MATL. SPEC.	COPPER ALLOY (t=0.2)	TREAT.	SEE TABLE 2
NAME	RH TYPE TERMINAL FEMALE		

PART NO.	7116-4415-02 ETC.
CH. CODE	
DWG NO.	7116-4415-02:R
DESIGN	MURAKAMI YOSHIDA
DRAWN	S. PEREZ
DATE	2001/08/06
DATE	2015/11/25

YAZAKI CORPORATION

## Looking for pricing, stock, or lifecycle information?

Click below to explore more details on WIN SOURCE:

 [View π121M31](#) on WIN SOURCE

 [2Pai Semiconductor](#) Information

## Optimize Your Supply Chain with WIN SOURCE Solutions

-  Global Sourcing Solution
-  Obsolete Management
-  Cost Control Management
-  Shortage Management
-  Alternative Solution
-  Excess Inventory Management