

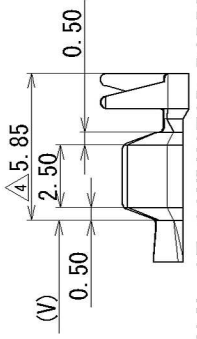


**THE DATASHEET OF
TMB12A12**

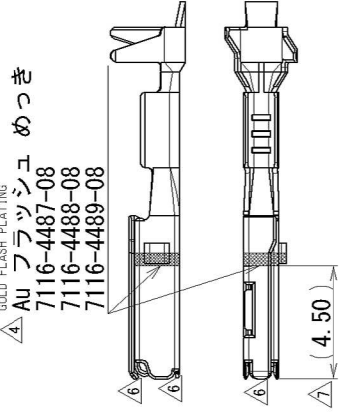


TABLE 1 WIRE CRIMP SIZE		PART NO. AND CH. CODE	C	V	W1	W2	H1	H2	APPLICABLE WIRE SIZE (INSULATION DIAMETER: φ0.91~φ1.90)
S	7116-4415-02, C	ETC.	3.0	1.9	1.49	2.82	1.82	2.84	(JASO) 0.3 (ISO) 0.22~0.35
M	7116-4416-02, C	(7B16-4416-02, C)	3.0	1.9	1.82	2.94	2.20	3.13	(JASO) 0.5 (ISO) 0.5
L	7116-4417-02, C	ETC.	SEE DWG	1.65	1.96	3.10	2.55	3.53	(JASO) 0.85 (ISO) 0.75

△ **DETAIL OF CONDUCTOR BARREL**
(7116-4417-02)
(7116-4417-08)
(7116-4489-08)



△ **GOLD FLASH PLATING**
Au フラッシュ めっき
7116-4487-08
7116-4488-08
7116-4489-08



△ **TABLE 2**
SIZE

SIZE	PART NO.	PLATING
S	7116-4415-02, C	Sn
M	7116-4415-08, C	Au (0.38 μm)
	7116-4487-08, C	Au (1.27 μm)
L	7116-4416-02, C (7B16-4416-02, C)	Sn
	7116-4416-08, C	Au (0.38 μm)
L	7116-4488-08, C	Au (1.27 μm)
	7116-4417-02, C	Sn
L	7116-4417-08, C	Au (0.38 μm)
	7116-4489-08, C	Au (1.27 μm)

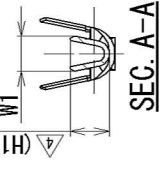
NOTES

- MALE TERMINAL PART NO. : 7114-4415-02, -4416-02, -4417-02
- APPLICABLE WIRE SEAL PART NO. : 7158-3165-90, -3166-60, -3167-80, -3168-80, -3182-20
- PART NUMBERS IN PARENTHESIS SHALL BE USED FOR AIR BAG(A/B) CIRCUITS AND OTHER CIRCUITS DESIGNATED FOR SPECIAL CONTROL.

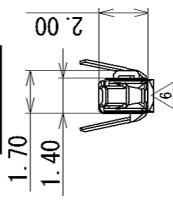
注記

- かん合端子品番 : 7114-4415-02, -4416-02, -4417-02
- 適用ゴム栓品番 : 7158-3165-90, -3166-60, -3167-80, -3168-80, -3182-20
- ()内の品番はA/B回路及び特別管理回路に使用すること。

△ **SEC. A-A**



△ **SEC. B-B**



DATE	REVISION RECORD	NO.	CHKD	REVISION
2015/11/25	CHANGED DIMENSION	C15-Z542	S. P	
2006/03/30	CHANGE FORM. ETC.	C06-Z314	S. K	
2004/11/22	ADDED TOLERANCE	C04-ZF29	Y. I	
2003/12/11	ADDED GOLD PLATING ETC.	C03-X787	H. Y	
2002/09/23	ADDED PART NO. ETC.	C02-Y003	H. Y	
2002/06/05	REVISED FORM. ETC.	C02-X502	T. Y	
2001/10/30	CHANGED DIMENSION	C01-Y113	H. Y	
2001/09/04	NEW	C01-X871	H. Y	

GENERAL TOLERANCE

ITEM	50MAX	100MAX	250OVR	500OVR	ANGLE	ECCENT
A	±0.15	±0.2	±0.3	±0.5	±0.75	±30'
B	±0.2	±0.3	±0.55	±0.95	±1.4	±30'
C	±0.3	±0.5	±0.8	±1.4	±2	±30'

GENERAL TOLERANCE							
10 MAX	50 MAX	100 MAX	250 OVR	R5 MAX	R10 MAX	R20 MAX	R20 OVR
A	±0.15	±0.2	±0.3	±0.5	±0.75	±0.3	±0.5
B	±0.2	±0.3	±0.55	±0.95	±1.4	±0.2	±0.3
C	±0.3	±0.5	±0.8	±1.4	±2	±0.2	±0.3

CUSTOMER

CUSTOMER PART NO. _____
CUSTOMER DWG NO. _____
OFFICE _____
VENDOR _____

MATL. SPEC.

COPPER ALLOY (t=0.2) & FIN. SEE TABLE 2

NAME

RH TYPE TERMINAL FEMALE

LET	DATE	REVISION RECORD	NO.	CHKD	REVISION
A	2015/11/25	CHANGED DIMENSION	C15-Z542	S. P	
B	2006/03/30	CHANGE FORM. ETC.	C06-Z314	S. K	
C	2004/11/22	ADDED TOLERANCE	C04-ZF29	Y. I	
D	2003/12/11	ADDED GOLD PLATING ETC.	C03-X787	H. Y	
E	2002/09/23	ADDED PART NO. ETC.	C02-Y003	H. Y	
F	2002/06/05	REVISED FORM. ETC.	C02-X502	T. Y	
G	2001/10/30	CHANGED DIMENSION	C01-Y113	H. Y	
H	2001/09/04	NEW	C01-X871	H. Y	

GENERAL TOLERANCE		UNIT	SCALE	ANGLE
10MAX	50MAX	mm	5:1	3
A	±0.15	mm	5:1	3
B	±0.2	mm	5:1	3
C	±0.3	mm	5:1	3

PART NO.	CH. CODE	DWG NO.	SET DRW NO.
7116-4415-02 ETC.			
7116-4415-02:R			
YAZAKI CORPORATION			

Looking for pricing, stock, or lifecycle information?

Click below to explore more details on WIN SOURCE:

- ⊖ [View TMB12A12 on WIN SOURCE](#)
- ⊖ [Jiangsu HUAWHA Electronics Co., Ltd. Information](#)

Optimize Your Supply Chain with WIN SOURCE Solutions

- ✓ Global Sourcing Solution
- ✓ Obsolete Management
- ✓ Cost Control Management
- ✓ Shortage Management
- ✓ Alternative Solution
- ✓ Excess Inventory Management