



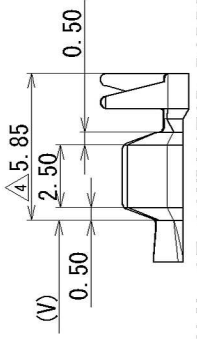
**THE DATASHEET OF
TMI6030C-33**



TABLE 1 WIRE CRIMP SIZE		PART NO. AND CH. CODE	△ C	△ V	W1	W2	△ H1	△ H2	△ 3 (INSULATION DIAMETER: φ0.91~φ1.90)
S	7116-4415-02, C	ETC.	3.0	1.9	1.49	2.82	1.82	2.84	△ 3 (JASO) 0.3 △ 3 (ISO) 0.22~0.35
M	7116-4416-02, C	△ (7B16-4416-02, C)	3.0	1.9	1.82	2.94	2.20	3.13	△ 3 (JASO) 0.5 △ 3 (ISO) 0.5
L	7116-4417-02, C	ETC.	△ SEE DWG	1.65	△ 1.96	3.10	2.55	3.53	△ 3 (JASO) 0.85 △ 3 (ISO) 0.75

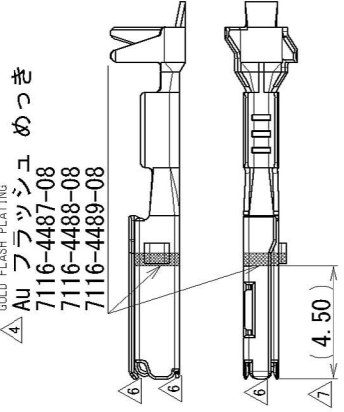
△ 2. DETAIL OF CONDUCTOR BARREL

- △ (7116-4417-02)
- △ (7116-4417-08)
- △ (7116-4489-08)



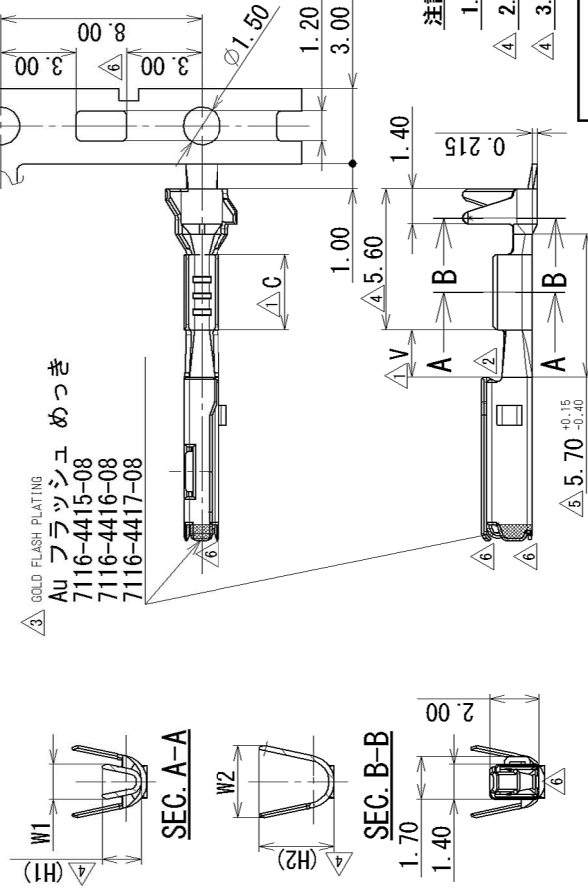
△ 4. GOLD FLASH PLATING

- △ Au フラッシュ めっき
- 7116-4487-08
- 7116-4488-08
- 7116-4489-08



△ 3. GOLD FLASH PLATING

- △ Au フラッシュ めっき
- 7116-4415-08
- 7116-4416-08
- 7116-4417-08



SEC. A-A

SEC. B-B

NOTES

1. MALE TERMINAL PART NO. : 7114-4415-02, -4416-02, -4417-02
2. APPLICABLE WIRE SEAL PART NO. : 7158-3165-90, -3166-60, -3167-80, -3168-80, -3182-20
3. PART NUMBERS IN PARENTHESIS SHALL BE USED FOR AIR BAG(A/B) CIRCUITS AND OTHER CIRCUITS DESIGNATED FOR SPECIAL CONTROL.

注記

1. かん合端子品番 : 7114-4415-02, -4416-02, -4417-02
2. 適用ゴム栓品番 : 7158-3165-90, -3166-60, -3167-80, -3168-80, -3182-20
3. ()内の品番はA/B回路及び特別管理回路に使用すること。

△	2015/11/25	CHANGED DIMENSION	C15-Z542	S, P
△ 6	2006/03/30	CHANGE FORM. ETC., C	C06-Z314	S, K
△ 6	2004/11/22	ADDED TOLERANCE	C04-ZF29	Y, I
△ 4	2003/12/11	ADDED GOLD PLATING ETC., A	C03-X787	H, Y
△ 3	2002/09/23	ADDED PART NO. ETC.	C02-Y003	H, Y
△ 2	2002/06/05	REVISED FORM. ETC., A	C02-X502	T, Y
△ 1	2001/10/30	CHANGED DIMENSION	C01-Y113	H, Y
△ 1	2001/09/04	NEW	C01-X871	H, Y

LET	DATE	REVISION RECORD	NO.	CHKD

GENERAL TOLERANCE			
10 MAX	50 MAX	100 MAX	250 OVR
A ±0.15	±0.2	±0.3	±0.5
B ±0.2	±0.3	±0.55	±0.95
C ±0.3	±0.5	±0.8	±1.4
			±2

GENERAL TOLERANCE			
R5 MAX	R10 MAX	R20 MAX	R20 OVR
±0.2	±0.3	±0.5	±2.5
			±3°
			±3°
			0.15

MATERIAL SPEC.	
COPPER ALLOY (t=0.2)	TREAT. SEE TABLE 2

NAME	
RH TYPE TERMINAL FEMALE	

CUSTOMER PART NO.	
CUSTOMER DWG NO.	

OFFICE	
VENDOR	

VENDOR NO.	
DWG TYPE	

APPROVED	
DESIGN	

DWG DATE	
UNIT	

DWG SOURCE	
CHECKED	

CHECKED	
DRAWN	

PART NO.	
CH. CODE	

DWG NO.	
SET DRW NO.	



7116-4415-02 ETC.

7116-4415-02:R

YAZAKI CORPORATION

Looking for pricing, stock, or lifecycle information?

Click below to explore more details on WIN SOURCE:

-  [View TMI6030C-33 on WIN SOURCE](#)
-  [Toll Microelectronic Co., Ltd. Information](#)

Optimize Your Supply Chain with WIN SOURCE Solutions

-  Global Sourcing Solution
-  Obsolete Management
-  Cost Control Management
-  Shortage Management
-  Alternative Solution
-  Excess Inventory Management