

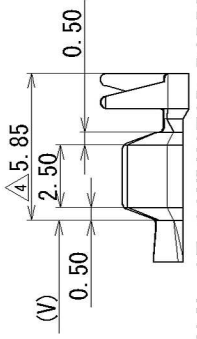


**THE DATASHEET OF
X2510WV-02-N0SN**

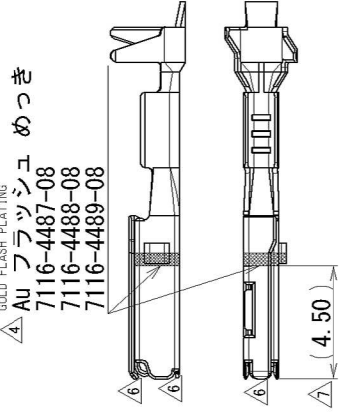


TABLE 1 WIRE CRIMP SIZE		PART NO. AND CH. CODE	C	V	W1	W2	H1	H2	APPLICABLE WIRE SIZE (INSULATION DIAMETER: φ0.91~φ1.90)
S		7116-4415-02, C ETC.	3.0	1.9	1.49	2.82	1.82	2.84	(JASO) 0.3 (ISO) 0.22~0.35
M		7116-4416-02, C A(7B16-4416-02, C) ETC.	3.0	1.9	1.82	2.94	2.20	3.13	(JASO) 0.5 (ISO) 0.5
L		7116-4417-02, C A(7116-4417-02, C) ETC.	SEE DWG	1.65	1.96	3.10	2.55	3.53	(JASO) 0.85 (ISO) 0.75

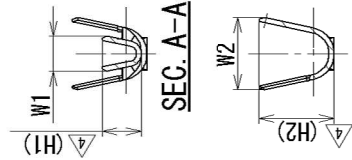
△ **DETAIL OF CONDUCTOR BARREL**
(7116-4417-02)
(7116-4417-08)
(7116-4489-08)



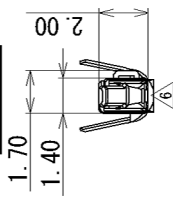
△ **GOLD FLASH PLATING**
Au フラッシュ めっき
7116-4487-08
7116-4488-08
7116-4489-08



SEC. A-A



SEC. B-B



NOTES

- MALE TERMINAL PART NO. : 7114-4415-02, -4416-02, -4417-02
- APPLICABLE WIRE SEAL PART NO. : 7158-3165-90, -3166-60, -3167-80, -3168-80, -3182-20
- PART NUMBERS IN PARENTHESIS SHALL BE USED FOR AIR BAG(A/B) CIRCUITS AND OTHER CIRCUITS DESIGNATED FOR SPECIAL CONTROL.

注記

- かん合端子品番 : 7114-4415-02, -4416-02, -4417-02
- 適用ゴム栓品番 : 7158-3165-90, -3166-60, -3167-80, -3168-80, -3182-20
- ()内の品番はA/B回路及び特別管理回路に使用すること。

DATE	REVISION RECORD	NO.	CHKD	REVISION
2015/11/25	CHANGED DIMENSION	C15-Z542	S. P	
2006/03/30	CHANGE FORM. ETC.	C06-Z314	S. K	
2004/11/22	ADDED TOLERANCE	C04-ZF29	Y. I	
2003/12/11	ADDED GOLD PLATING ETC.	C03-X787	H. Y	
2002/09/23	ADDED PART NO. ETC.	C02-Y003	H. Y	
2002/06/05	REVISED FORM. ETC.	C02-X502	T. Y	
2001/10/30	CHANGED DIMENSION	C01-Y113	H. Y	
2001/09/04	NEW	C01-X871	H. Y	

△ GENERAL TOLERANCE											
	10 MAX	50 MAX	100 MAX	250 MAX	250 OVR	R5 MAX	R10 MAX	R20 MAX	R20 OVR	ANGLE	ECCENT
A	±0.15	±0.2	±0.3	±0.5	±0.75	±0.2	±0.3	±0.5	±2.5	±3°	0.1
B	±0.2	±0.3	±0.55	±0.95	±1.4	±0.2	±0.3	±0.5	±2.5	±3°	0.1
C	±0.3	±0.5	±0.8	±1.4	±2	±0.3	±0.5	±1.0	±2.5	±3°	0.15

LET	DATE	REVISION RECORD	NO.	CHKD	REVISION	MASS	UNIT	APPROVED	CHECKED	DESIGN	DRAWN	DWG NO.	SET DRW NO.
A	±0.15	±0.2	±0.3	±0.5	±0.75	±0.1	mm	T. YAMAWAKI		MURAKAMI	S. PEREZ	7116-4415-02 ETC.	
B	±0.2	±0.3	±0.55	±0.95	±1.4	±0.1	mm			YOSHIDA		7116-4415-02:R	
C	±0.3	±0.5	±0.8	±1.4	±2	±0.15	mm						
SPECIFIED													
GENERAL TOLERANCE													
CUSTOMER PART NO.													
CUSTOMER DWG NO.													
OFFICE													
VENDOR													
VENDOR NO.													
DWG TYPE													
DWG SOURCE													
DWG DATE													
UNIT													
SQ. ANGLE													
PART NO.													
CH. CODE													
DWG NO.													
NAME													
MATERIAL SPEC.													
COPPER ALLOY (t=0.2) & FIN.													
TREAT.													
SEE TABLE 2													
RH TYPE TERMINAL FEMALE													
PART NO.													
7116-4415-02 ETC.													
CH. CODE													
7116-4415-02:R													
DWG NO.													
YAZAKI CORPORATION													

Looking for pricing, stock, or lifecycle information?

Click below to explore more details on WIN SOURCE:

 [View X2510WV-02-N0SN on WIN SOURCE](#)

 [XKB Connection](#) Information

Optimize Your Supply Chain with WIN SOURCE Solutions

-  Global Sourcing Solution
-  Obsolete Management
-  Cost Control Management
-  Shortage Management
-  Alternative Solution
-  Excess Inventory Management