

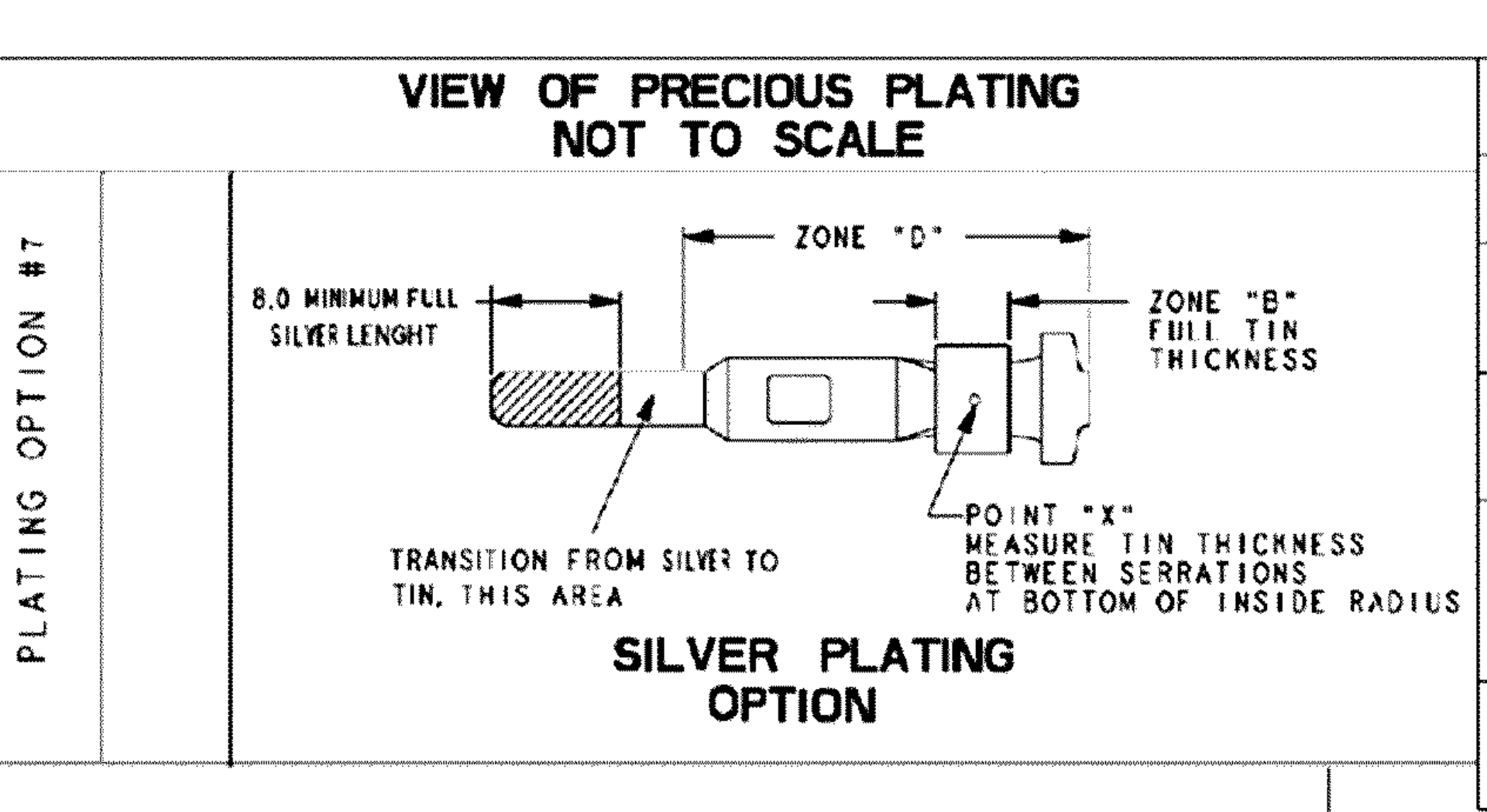


**THE DATASHEET OF
XTPS7A2018-XC**



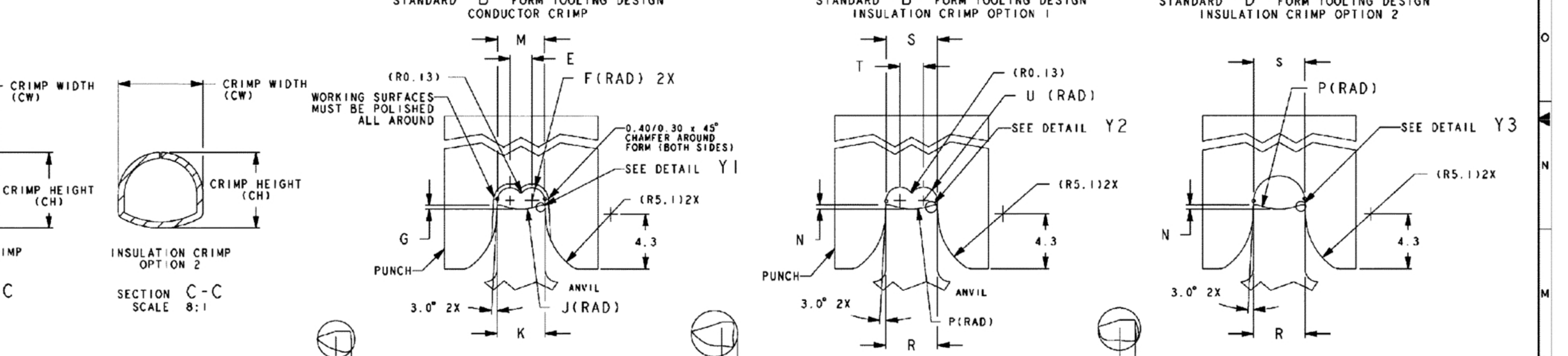
REV	DATE	BY	CHKD	DESCRIPTION
10/12	4.06.0	4.31.0		...
12	2.53.0	3.43.0		...
14/16	1.57.5	3.07.0		...
21/18/20/21	212.271.4	212.271.4		...
18/20	1.07.5	2.21.4		...
22	0.35	1.01.7		...

WIRE SIZE	WIRE TYPE	WIRE SPEC	WIRE METRIC	CONDUCTOR CRIMP HEIGHT	CONDUCTOR CRIMP HEIGHT METRIC	CONDUCTOR CRIMP WIDTH	CONDUCTOR CRIMP WIDTH METRIC	INSULATION CRIMP HEIGHT	INSULATION CRIMP HEIGHT METRIC	INSULATION CRIMP WIDTH	INSULATION CRIMP WIDTH METRIC	INSULATION CRIMP PUNCH OPTION	INSULATION CRIMP PUNCH TYPE	INSULATION CRIMP PUNCH SECT
US 22		0.35	1.40	1.30	2.05	1.95	1.95	2.60	2.60	2.40	2.40	2	2.40	CONDUCTOR
CS 18		0.75/1.20	1.50	1.30/1.50		4.20	4.15/4.20	4.10	4.10	2	2	2.80	INSULATION	INSULATION



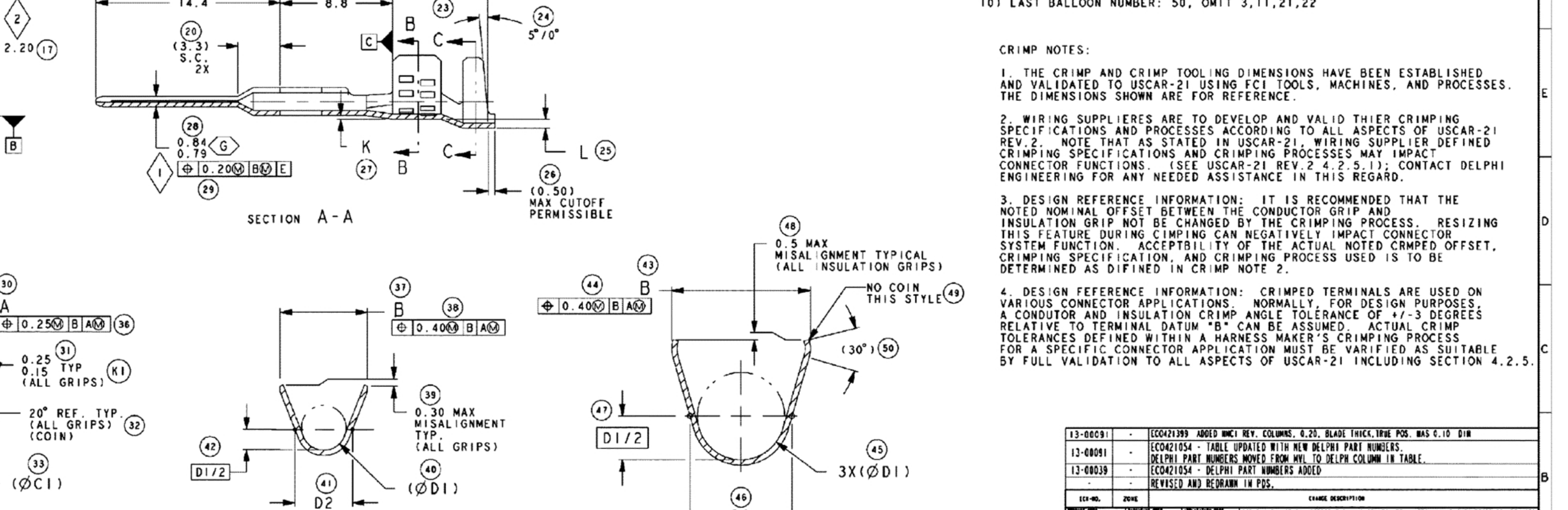
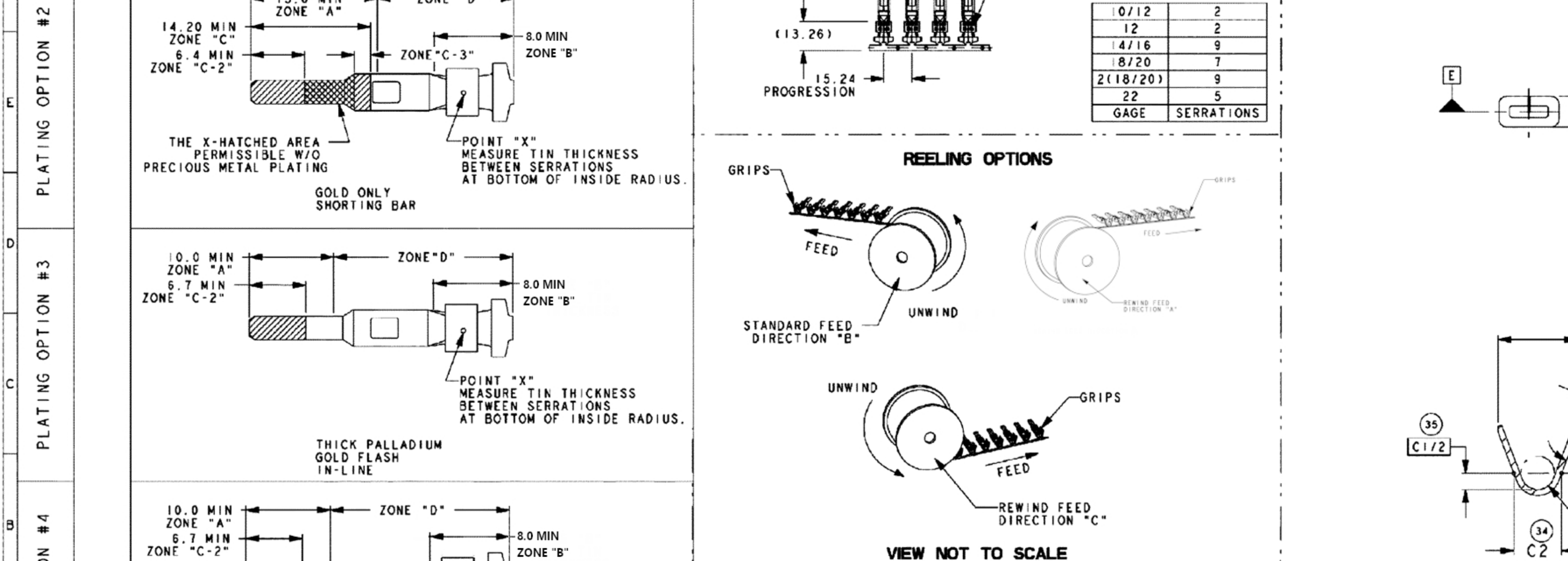
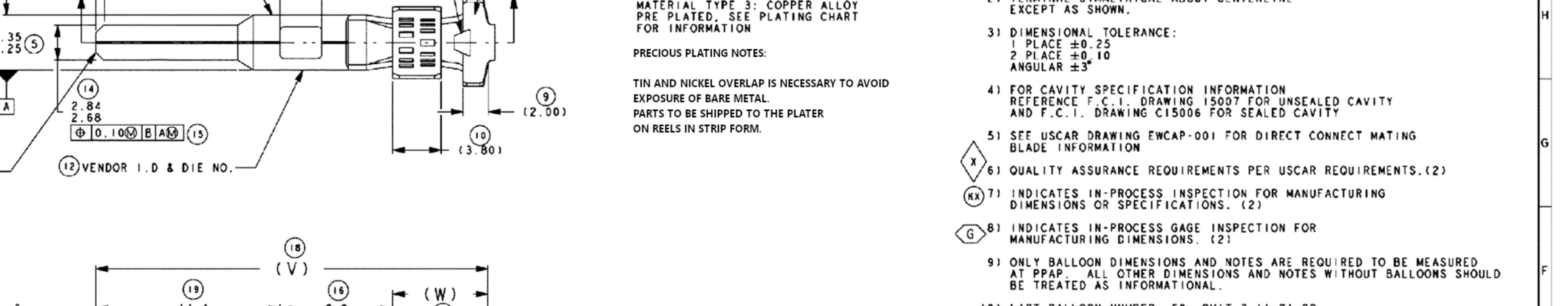
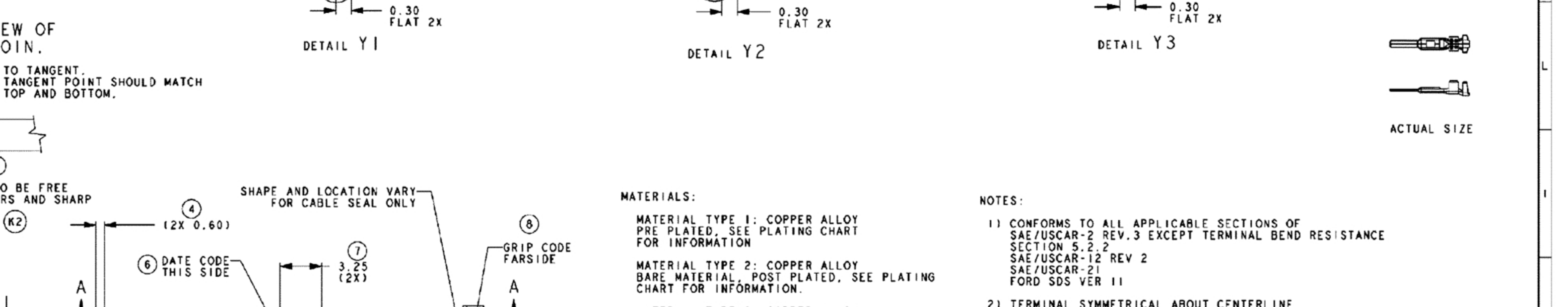
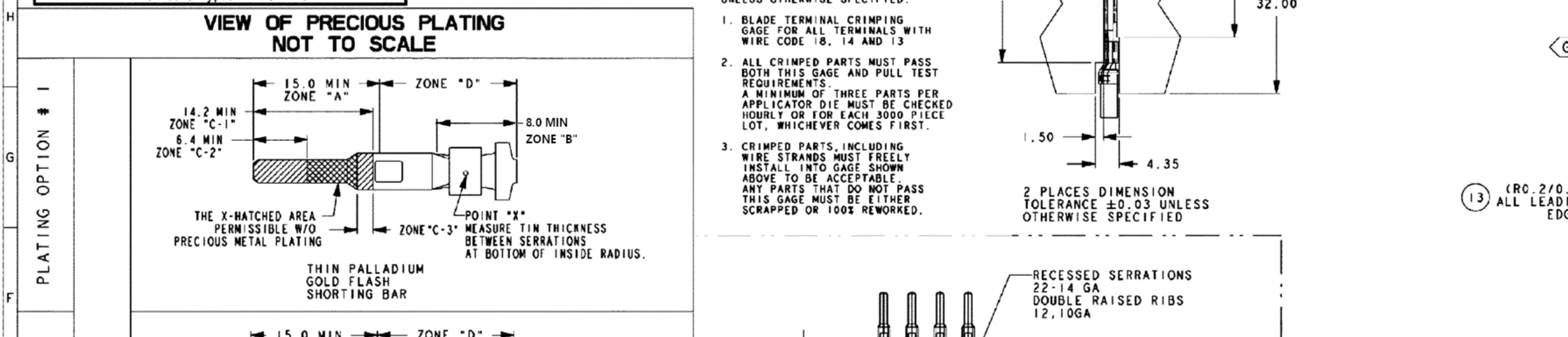
MATERIAL TYPE	PLATING OPT.	TYPE 2 OPTION #	TYPE 2 OPTION # 7
ZONE 'A'	ELECTRO DEPOSITED PURE SILVER	POST GOLD FLASH	POST PALLADIUM
ZONE 'B'	ELECTRO MATT TIN PLATE	ELECTRO MATT TIN PLATE	ELECTRO MATT TIN PLATE
ZONE 'C'
ZONE 'D'	ELECTRO MATT TIN PLATE

CRIMP TOOL INFORMATION (REF. ONLY)
STANDARD "B" FORM TOOLING DESIGN CONDUCTOR CRIMP
STANDARD "B" FORM TOOLING DESIGN INSULATION CRIMP OPTION 1
STANDARD "D" FORM TOOLING DESIGN INSULATION CRIMP OPTION 2



WIRE SIZE	WIRE TYPE	WIRE SPEC	WIRE METRIC	CONDUCTOR CRIMP HEIGHT	CONDUCTOR CRIMP HEIGHT METRIC	CONDUCTOR CRIMP WIDTH	CONDUCTOR CRIMP WIDTH METRIC	INSULATION CRIMP HEIGHT	INSULATION CRIMP HEIGHT METRIC	INSULATION CRIMP WIDTH	INSULATION CRIMP WIDTH METRIC	INSULATION CRIMP PUNCH OPTION	INSULATION CRIMP PUNCH TYPE	INSULATION CRIMP PUNCH SECT
US 22		0.35	1.40	1.30	2.05	1.95	1.95	2.60	2.60	2.40	2.40	2	2.40	CONDUCTOR

GAUGE REQUIREMENTS
1. BLADE TERMINAL CRIMPING...
2. ALL OTHER PARTS MUST PASS...
3. CRIMPED PARTS INCLUDING...



VIEW NOT TO SCALE
TERMINALS TO FEED AS SHOWN AFTER BEING REELED OFF PRODUCTION TOOL...
DO NOT USE MVL PART NUMBERS FOR NEW ORDERS...
WHEN USING DELPHI PART NUMBERS, ORDER 'DELPHI REWOUND PART NUMBER'...
IF DELPHI PART NUMBER IS NOT AVAILABLE, REQUEST DELPHI PART NUMBER...

SECTION A-A	SECTION B-B	SECTION C-C
CONDUCTOR CRIMP	CONDUCTOR CRIMP	CONDUCTOR CRIMP
INSULATION CRIMP OPTION 1	INSULATION CRIMP OPTION 1	INSULATION CRIMP OPTION 1
INSULATION CRIMP OPTION 2	INSULATION CRIMP OPTION 2	INSULATION CRIMP OPTION 2

PLATING OPTION #	DATE	REV	N/P	CHG	ZONE	REVISION HISTORY	AUTH	DR	APPROV
05PE13	R	01	-	-		ALL PARTS - REVISION AND REDAWN IN PDS SYSTEM, ADDED DELPHI PART NUMBERS AND UPDATED MVL CHART	421054	JED	JAA/DAB
15PE13	R	02	-	-		ALL PARTS - ADDED MNCI COLUMN ON MVL CHART AND BLADE THICK TRUE POSITION WAS 0.10	421399	JED	JAA/DAB
14M13	R	03	-	-		33400512, 15512730, 10762774 & 15519823 - D1M 'L' WAS 1.00; ALL PARTS - UPDATED MVL PASTE UP DWS TO REV LEVEL 17 DUE TO ORIGINAL PEAR AND ADDED DELPHI FORMAT & CHMTR. 33511829-44 - RELEASED	421737	JED	JAA/DAB
100C13	R	04	-	-		33111005 - RELEASED	423999	CGD	JAA/DAB
05N013	R	05	-	-		15548841 - RELEASED	425941	CGD	JAA/DAB
18M14	R	06	-	-		ALL PARTS - INSPECTION SYMBOL BALLOON #31 WAS 0.34/2 TYP; 10757692, 13969900, 15524903, 33400514-15 & 33511841-42 - UPDATED 'WIRE SIZE' & 'INSULATION DIAMETER' INFO ON CHART FOR 14/16 GAGE	425921	CGD	JAA/BC
24L17	R	07	-	-		13969981, 15520891, 15520916-17, 15519823, 15512730, 33400512-16, 33511841-42 - UPDATED PART AVAILABILITY	437251	BDH	JWA/JOG
09L18	R	08	-	-		33400512-14, 33400516, 33511840-41 & 33511843-44 - ADDED 'PLATING OPTION #' VIEW	440242	DAV	JAA/JOG
04DE18	R	09	-	-		35270385-86 - RELEASED; 15520974, 15522734 - WIRE SIZE WAS 2.5	441331	AHG	AH/LES
05PE19	R	10	-	-		35270385 & 35270386 - CORRECTED PART AVAILABILITY IN PASTE UP	442276	JOO	JAA/JIE
05AP19	R	11	-	-		35270385 - UPDATED MVL PASTE UP DWS, 'L' WAS 1.4 & ADDED 'M' VALUE; 35270386 - UPDATED MVL PASTE UP DWS, 'WIRE SIZE METRIC' WAS 0.5-1, 'C1' WAS 1, 'C2' WAS 2-3, 'L' WAS 1.1 & ADDED 'M' VALUE; 35318916 - RELEASED	442505	ODL	JAA/JIE
22AP19	R	12	-	-		13969981 - UPDATED PART AVAILABILITY	442649	JOO	JOO/DMS
060C20	R	13	-	-		13681974, 13895590, 13971791, 15425613, 15425614, 15509074, 15512730, 15513859, 15516296-97, 15520899, 15520916, 15522631, 33400515 & 33501642 - ADDED PRECIOUS PLATING NOTE AND UPDATED REWIND FEED 'A' VIEW ON REELING OPTIONS, PLATING OPTION CHART & VIEWS ON PASTE UP DWS; 15520890 - UPDATED PART AVAILABILITY	452649	LVD	CGD/JIE

PLATING OPTION #	DATE	REV	N/P	CHG	ZONE	REVISION HISTORY	AUTH	DR	APPROV					
54001001	T	N				75318946	01	-	M6565J00	5	-	-	-	-
54001001RWA	T	N				35270385	01	AB	M6565J00	5	-	-	-	-
54001001RWC	T	N				10762774	03	AH	M6565J00	5	-	-	-	-
54001020	T	N				15512730	01	AE	15519823	3	15519823	01	AD	M6564J00
54001027	T	N				33400512	01	AE	33511843	7	33511843	01	AC	M6564J00
54001027RWA	T	N				15516298	01	AB	M6565J00	5	-	-	-	-
54001027RWC	T	N				33111005	01	AA	15516298	-	-	-	-	-
54001041	T	N				33400513	01	AD	33511844	7	33511844	01	AB	M6564J00
54001041RWA	T	N				15509074	01	AC	M6565J00	5	-	-	-	-
54001041RWC	T	N				15512734	01	AC	15509074	5	-	-	-	-
54001044	T	N				33400514	01	AD	33511841	7	33511841	01	AC	M6564J00
54001044RWA	T	N				13681974	01	AC	15519825	3	15519825	01	AB	M6564J00
54001044RWC	T	N				15522351	01	AC	13681974	-	-	-	-	-
54001047	T	N				10757692	03	AG	M6565J00	5	-	-	-	-
54001047RWA	T	N				15524503	01	AB	10757692	-	-	-	-	-
54001047RWC	T	N				13969900	01	AB	10757692	-	-	-	-	-
54001301	T	N				10757693	03	AG	M6565J00	5	-	-	-	-
54001301RWA	T	N				15524504	01	AB	10757693	-	-	-	-	-
54001301RWC	T	N				33400516	01	AD	33511840	7	33511840	01	AC	M6564J00
54001819	T	N				15509076	01	AC	15520221	4	15520221	01	AB	M6564J00
54001819RWA	T	N				15425613	02	AC	15519829	2	15519829	01	AB	M6564J00
54001819RWC	T	N				15512733	01	AC	15425613	-	-	-	-	-
54001819RWA	T	N				15513652	01	AC	15425613	-	-	-	-	-
54001819RWC	T	N				15435215	01	AC	15519827	3	15519827	01	AB	M6564J00
54001819RWA	T	N				15516296	01	AC	15435215	-	-	-	-	-
54001819RWC	T	N				13971791	01	AC	15435215	-	-	-	-	-
54001804	T	N				13895590	01	AC	15519824	1	15519824	01	AB	M6564J00
54001804RWA	T	N				15512732	01	AC	13895590	-	-	-	-	-
54001804RWC	T	N				15516297	01	AC	13895590	-	-	-	-	-
54001801	T	N				10762775	03	AG	M6565J00	5	-	-	-	-
54001801RWA	T	N				15516294	01	AB	10762775	-	-	-	-	-
54001801RWC	T	N				13751022	01	AB	10762775	-	-	-	-	-
54002200	T	N				15520917	01	AD	15520917	4	15520917	01	AC	M6564J00
54002200RWA	T	N				33501642	01	AC	33511839	3	33511839	01	AA	M6564J00
54002200RWC	T	N				15520229	01	AC	15520229	2	15520229	01	AB	M6564J00
54002201	T	N				10762776	03	AG	M6565J00	5	-	-	-	-
54002201RWA	T	N				15512725	01	AB	10762776	-	-	-	-	-
54002201RWC	T	N				13969981	01	AD	10762776	-	-	-	-	-

PLATING OPTION #	DATE	REV	N/P	CHG	ZONE	REVISION HISTORY	AUTH	DR	APPROV
MVL						SEALING			
						PLATED			
						APTIV			

PLATING OPTION #	DATE	REV	N/P	CHG	ZONE	REVISION HISTORY	AUTH	DR	APPROV
05PE13	R	01	-	-		ALL PARTS - REVISION AND REDAWN IN PDS SYSTEM, ADDED DELPHI PART NUMBERS AND UPDATED MVL CHART	421054	JED	JAA/DAB
15PE13	R	02	-	-		ALL PARTS - ADDED MNCI COLUMN ON MVL CHART AND BLADE THICK TRUE POSITION WAS 0.10	421399	JED	JAA/DAB
14M13	R	03	-	-		33400512, 15512730, 10762774 & 15519823 - D1M 'L' WAS 1.00; ALL PARTS - UPDATED MVL PASTE UP DWS TO REV LEVEL 17 DUE TO ORIGINAL PEAR AND ADDED DELPHI FORMAT & CHMTR. 33511829-44 - RELEASED	421737	JED	JAA/DAB
100C13	R	04	-	-		33111005 - RELEASED	423999	CGD	JAA/DAB
05N013	R	05	-	-		15548841 - RELEASED	425941	CGD	JAA/DAB
18M14	R	06	-	-		ALL PARTS - INSPECTION SYMBOL BALLOON #31 WAS 0.34/2 TYP; 10757692, 13969900, 15524903, 33400514-15 & 33511841-42 - UPDATED 'WIRE SIZE' & 'INSULATION DIAMETER' INFO ON CHART FOR 14/16 GAGE	425921	CGD	JAA/BC
24L17	R	07	-	-		13969981, 15520891, 15520916-17, 15519823, 15512730, 33400512-16, 33511841-42 - UPDATED PART AVAILABILITY	437251	BDH	JWA/JOG
09L18	R	08	-	-		33400512-14, 33400516, 33511840-41 & 33511843-44 - ADDED 'PLATING OPTION #' VIEW	440242	DAV	JAA/JOG
04DE18	R	09	-	-		35270385-86 - RELEASED; 15520974, 15522734 - WIRE SIZE WAS 2.5	441331	AHG	AH/LES
05PE19	R	10	-	-		35270385 & 35270386 - CORRECTED PART AVAILABILITY IN PASTE UP	442276	JOO	JAA/JIE
05AP19	R	11	-	-		35270385 - UPDATED MVL PASTE UP DWS, 'L' WAS 1.4 & ADDED 'M' VALUE; 35270386 - UPDATED MVL PASTE UP DWS, 'WIRE SIZE METRIC' WAS 0.5-1, 'C1' WAS 1, 'C2' WAS 2-3, 'L' WAS 1.1 & ADDED 'M' VALUE; 35318916 - RELEASED	442505	ODL	JAA/JIE
22AP19	R	12	-	-		13969981 - UPDATED PART AVAILABILITY	442649	JOO	JOO/DMS
060C20	R	13	-	-		13681974, 13895590, 13971791, 15425613, 15425614, 15509074, 15512730, 15513859, 15516296-97, 15520899, 15520916, 15522631, 33400515 & 33501642 - ADDED PRECIOUS PL			

Looking for pricing, stock, or lifecycle information?

Click below to explore more details on WIN SOURCE:

- ⊖ [View XTPS7A2018-XC on WIN SOURCE](#)
- ⊖ [Wuhan SiChange Technology Co., Ltd. Information](#)

Optimize Your Supply Chain with WIN SOURCE Solutions

- ✓ Global Sourcing Solution
- ✓ Obsolete Management
- ✓ Cost Control Management
- ✓ Shortage Management
- ✓ Alternative Solution
- ✓ Excess Inventory Management