

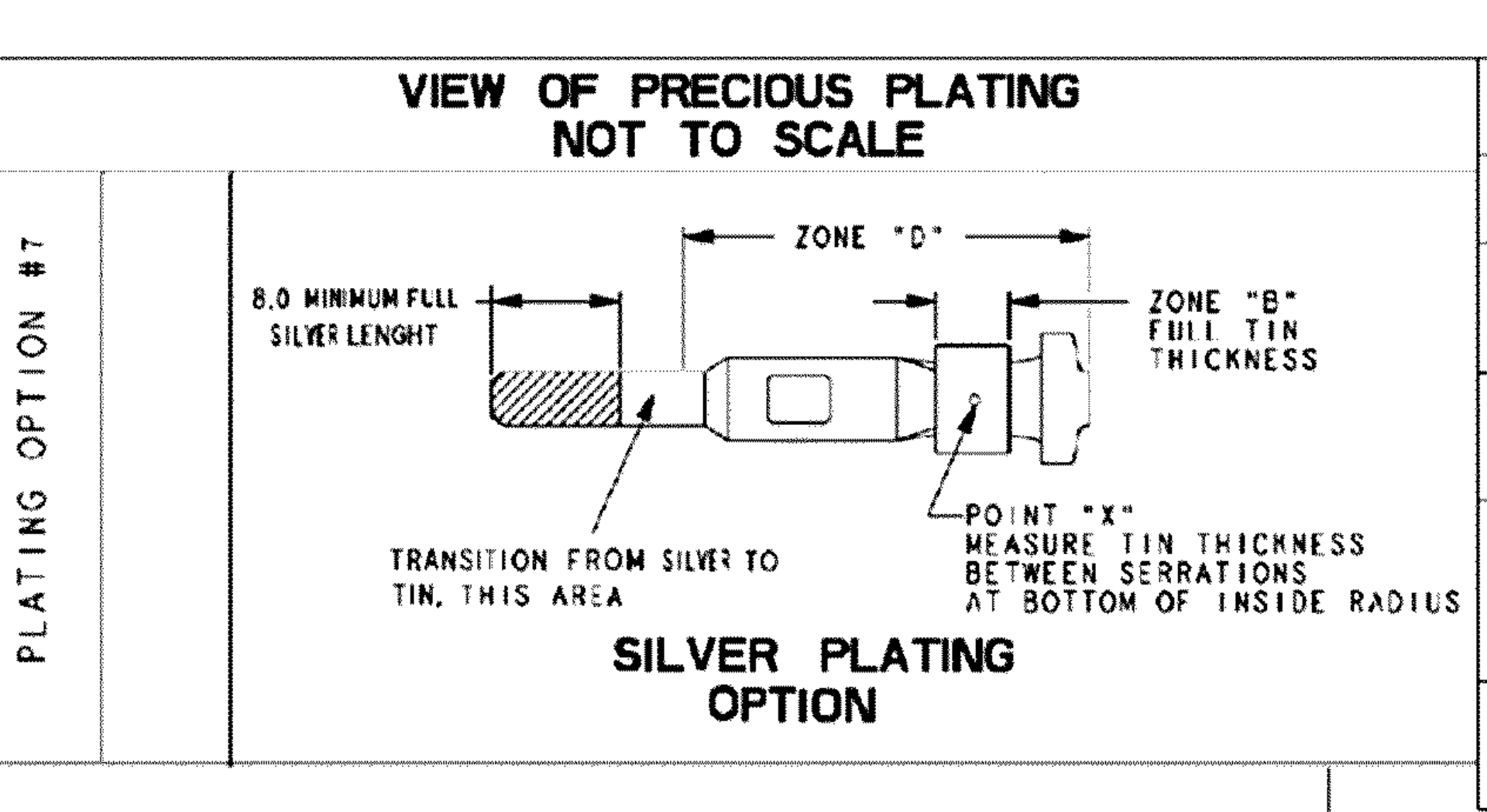


**THE DATASHEET OF  
WRB2405S-3WR3**



REV	DATE	BY	CHKD	DESCRIPTION
10/12	4.06.0	4.31.0		...
12	2.51.0	3.41.0		...
14/16	1.57.5	3.07.0		...
21/18/20/21	217.271.1	217.271.4		...
18/20	1.07.5	2.71.4		...
22	0.35	1.01.7		...

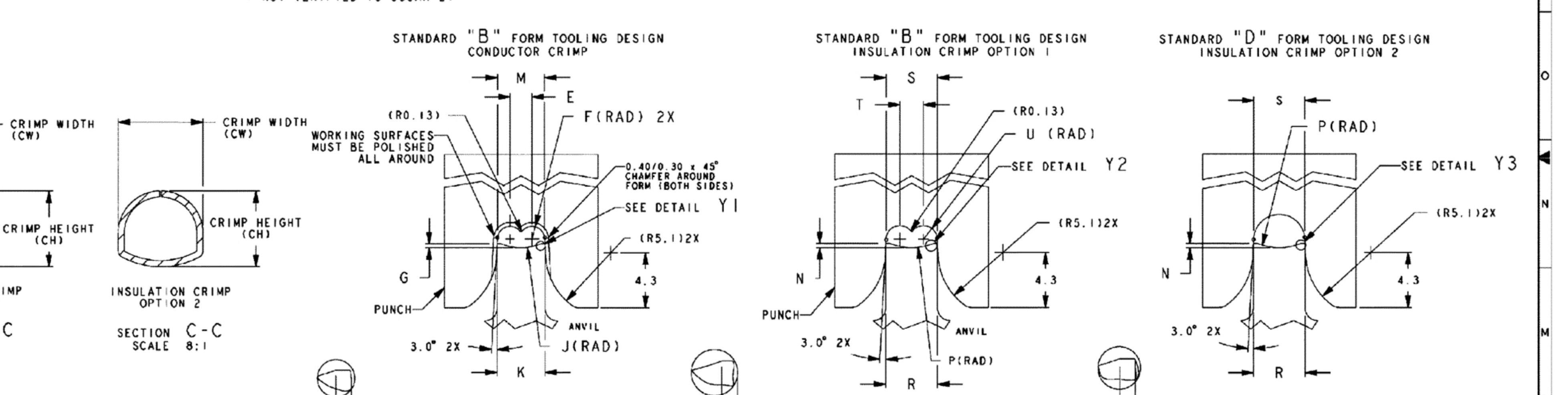
WIRE SIZE	WIRE TYPE	WIRE SPEC	WIRE METRIC	CONDUCTOR CRIMP HEIGHT	CONDUCTOR CRIMP HEIGHT METRIC	CONDUCTOR CRIMP WIDTH	CONDUCTOR CRIMP WIDTH METRIC	INSULATION CRIMP HEIGHT	INSULATION CRIMP HEIGHT METRIC	INSULATION CRIMP WIDTH	INSULATION CRIMP WIDTH METRIC	INSULATION CRIMP PUNCH OPTION	INSULATION CRIMP PUNCH TYPE	INSULATION CRIMP PUNCH SECT
US 22		0.35	1.40	1.30	2.05	1.95	1.95	2.60	2.60	2.40	2.40	2	2.80	CONDUCTOR
CS 18		0.75/1.20	1.50	1.30/1.50		4.20	4.15/4.20	4.10	4.10	2	2	2.80	INSULATION	INSULATION



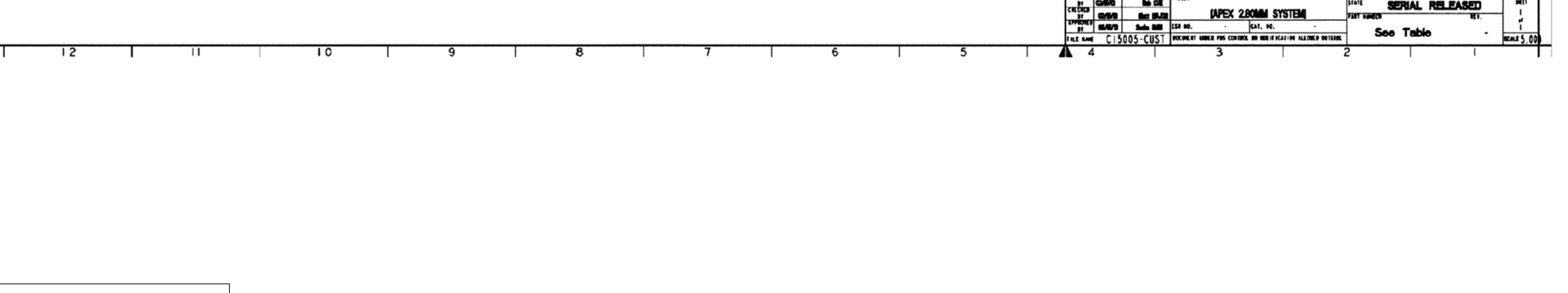
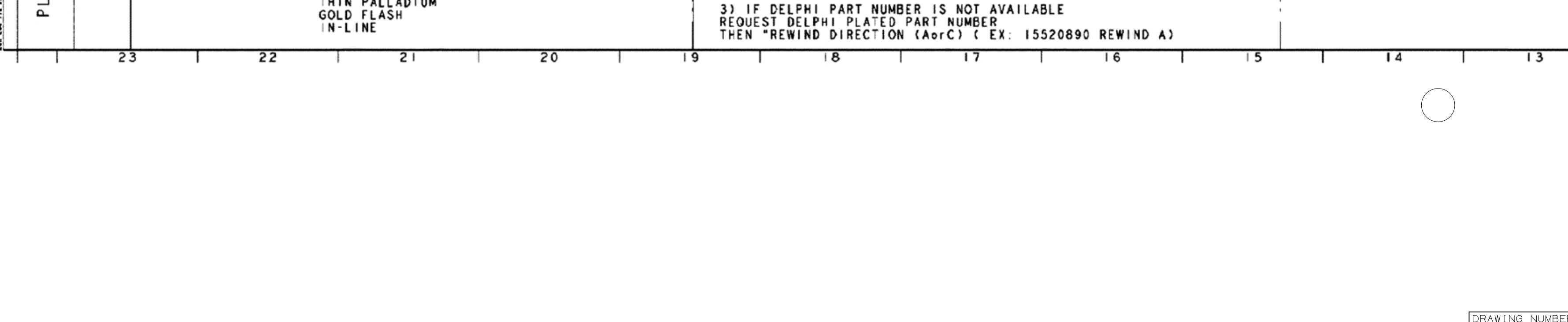
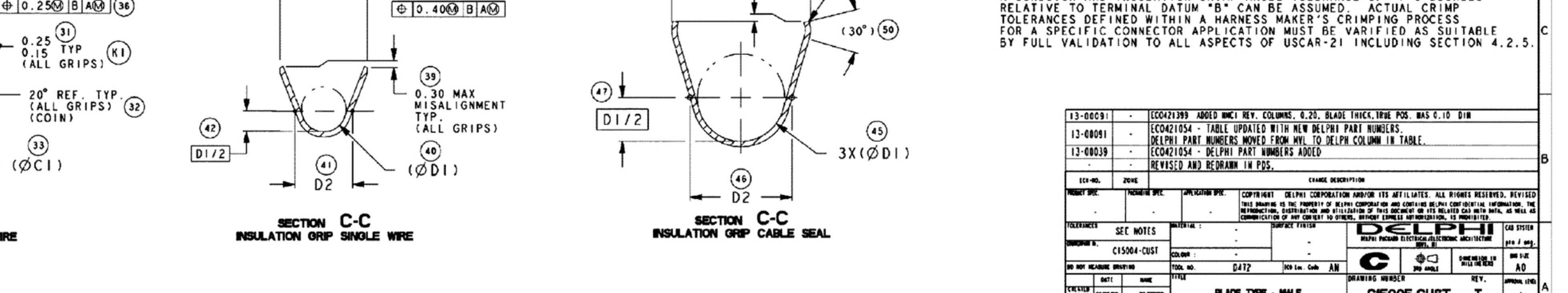
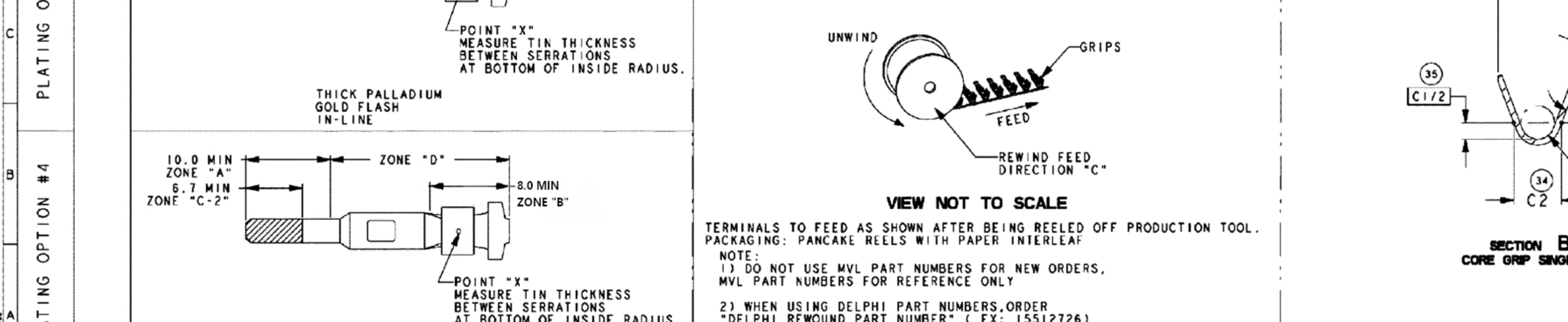
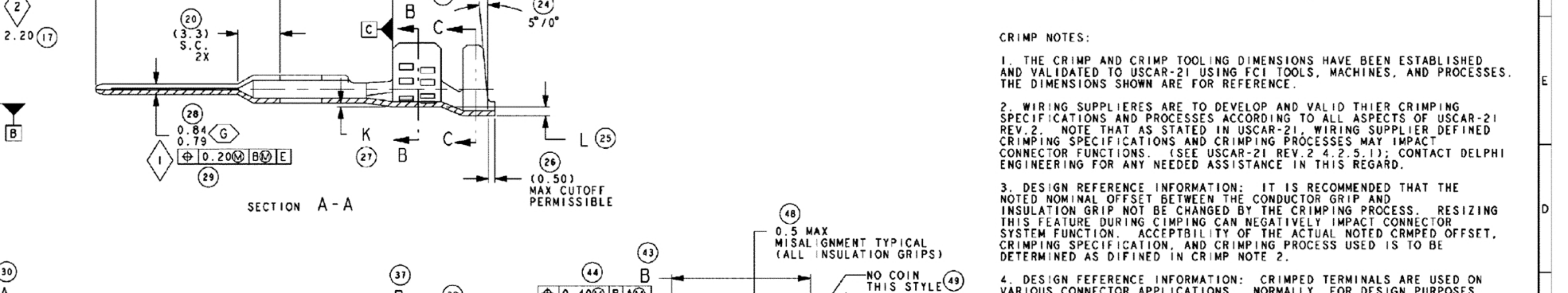
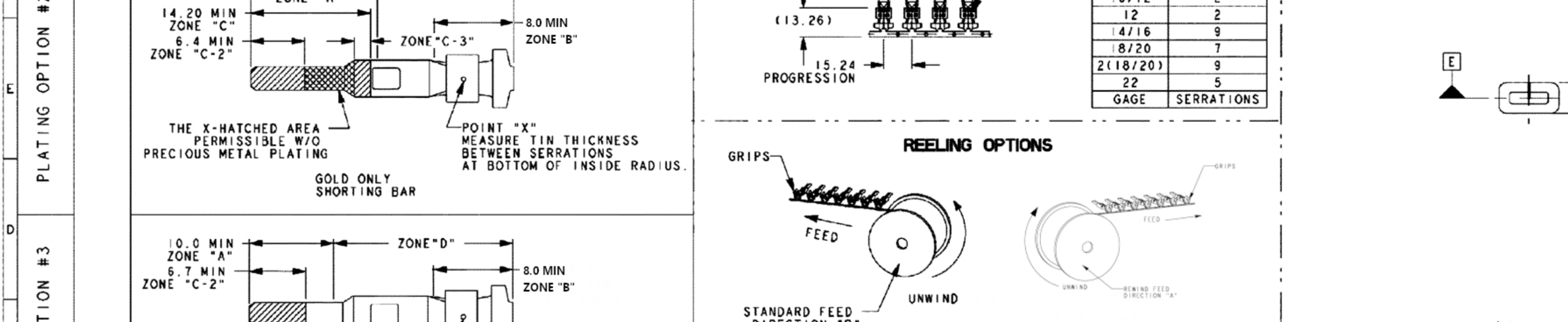
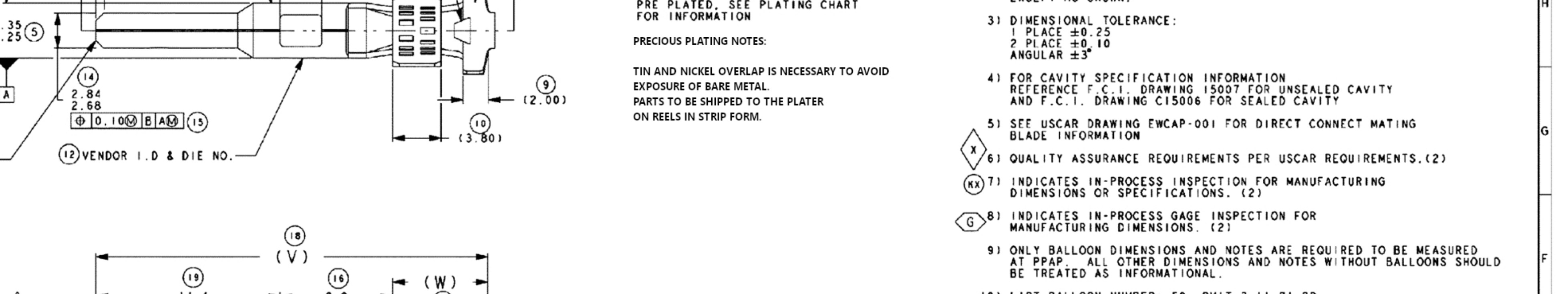
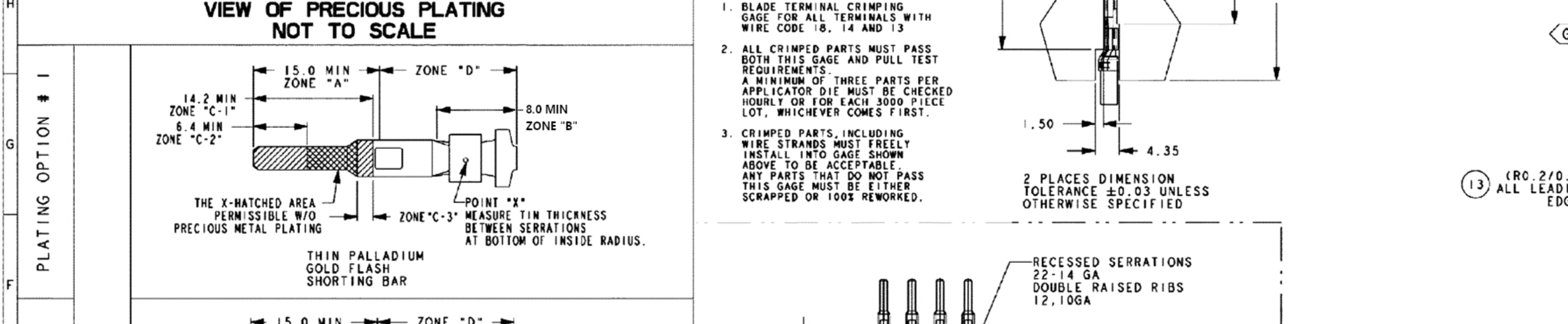
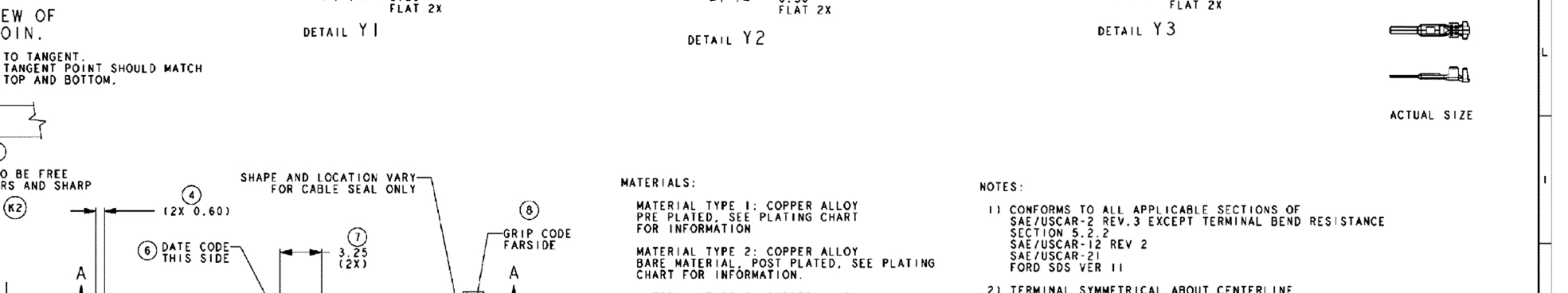
MATERIAL TYPE	PLATING OPT.	TYPE 2 OPTION # 7
ZONE 'A'	ELECTRO DEPOSITED PURE SILVER, RIFLE UNIFORMITY NOT REQ. (NE5564710.0020.003MM)	
ZONE 'B'	ELECTRO MATT TIN PLATE (NE50827210.0015/0.0025MM)	
ZONE 'C'	...	
ZONE 'D'	ELECTRO MATT TIN PLATE 0.002MM MINIMUM	

DWG STATUS	DATE	REV	BY	CHKD	DESCRIPTION
05PE13	R 01	-	-	-	ALL PARTS - REVISION AND REDAWN IN PDS SYSTEM. ADDED DELPHI PART NUMBERS AND UPDATED MVL CHART
15PE13	R 02	-	-	-	ALL PARTS - ADDED MNCI COLUMN ON MVL CHART AND BLADE THICK TRUE POSITION WAS 0.10
14MR13	R 03	-	-	-	33400512, 15512730, 10762774 & 15519823 - D1M 'L' WAS 1.10; ALL PARTS - UPDATED MVL PASTE UP DWS TO REV LEVEL. 'L' DUE TO ORIGINAL PEAR AND ADDED DELPHI FORMAT & CHART. 335118944 - RELEASED
100C13	R 04	-	-	-	33111005 - RELEASED
05N013	R 05	-	-	-	15549841 - RELEASED
18MR14	R 06	-	-	-	ALL PARTS - INSPECTION SYMBOL BALLOON #31 WAS 0.34/2 TYP; 10757692, 13969900, 15524903, 33400514 & 33511841-42 - UPDATED 'WIRE SIZE' & 'INSULATION DIAMETER' INFO ON CHART FOR 14/16 GAGE
24L17	R 07	-	-	-	13969981, 15520916, 15520916-17, 15519823, 15512730, 33400512 & 33511841 - UPDATED PART AVAILABILITY
09L18	R 08	-	-	-	33400512-14, 33400516, 33511840-41 & 33511843-44 - ADDED 'PLATING OPTION #7' VIEW
04DE18	R 09	-	-	-	35270385, 86 - RELEASED; 15520974, 15521234 - WIRE SIZE WAS 2.5
05PE19	R 10	-	-	-	35270385 & 35270386 - CORRECTED PART AVAILABILITY IN PASTE UP
05AP19	R 11	-	-	-	35270385 - UPDATED MVL PASTE UP DWS. 'L' WAS 1.4 & ADDED 'M' VALUE; 35270386 - UPDATED MVL PASTE UP DWS. 'WIRE SIZE METRIC' WAS 0.5-1, 'C1' WAS 1, 'C2' WAS 2-3, 'L' WAS 1.1 & ADDED 'M' VALUE; 35318916 - RELEASED
22AP19	R 12	-	-	-	13969981 - UPDATED PART AVAILABILITY
060C20	R 13	-	-	-	13681974, 13895590, 13971791, 15425613, 15425614, 15509074, 15512731, 15513650, 15516296, 15516297, 15520916, 15520917, 33400515 & 33501642 - ADDED PRECIOUS PLATING NOTE AND UPDATED REWIND FEED 'A' VIEW ON REELING OPTIONS, PLATING OPTION CHART & VIEWS ON PASTE UP DWS; 15520890 - UPDATED PART AVAILABILITY

WIRE SIZE	WIRE TYPE	WIRE SPEC	WIRE METRIC	CONDUCTOR CRIMP HEIGHT	CONDUCTOR CRIMP HEIGHT METRIC	CONDUCTOR CRIMP WIDTH	CONDUCTOR CRIMP WIDTH METRIC	INSULATION CRIMP HEIGHT	INSULATION CRIMP HEIGHT METRIC	INSULATION CRIMP WIDTH	INSULATION CRIMP WIDTH METRIC	INSULATION CRIMP PUNCH OPTION	INSULATION CRIMP PUNCH TYPE	INSULATION CRIMP PUNCH SECT
US 22		0.35	1.40	1.30	2.05	1.95	1.95	2.60	2.60	2.40	2.40	2	2.80	CONDUCTOR
CS 18		0.75/1.20	1.50	1.30/1.50		4.20	4.15/4.20	4.10	4.10	2	2	2.80	INSULATION	INSULATION



WIRE SIZE	WIRE TYPE	WIRE SPEC	WIRE METRIC	CONDUCTOR CRIMP HEIGHT	CONDUCTOR CRIMP HEIGHT METRIC	CONDUCTOR CRIMP WIDTH	CONDUCTOR CRIMP WIDTH METRIC	INSULATION CRIMP HEIGHT	INSULATION CRIMP HEIGHT METRIC	INSULATION CRIMP WIDTH	INSULATION CRIMP WIDTH METRIC	INSULATION CRIMP PUNCH OPTION	INSULATION CRIMP PUNCH TYPE	INSULATION CRIMP PUNCH SECT
US 22		0.35	1.40	1.30	2.05	1.95	1.95	2.60	2.60	2.40	2.40	2	2.80	CONDUCTOR
CS 18		0.75/1.20	1.50	1.30/1.50		4.20	4.15/4.20	4.10	4.10	2	2	2.80	INSULATION	INSULATION



WIRE SIZE	WIRE TYPE	WIRE SPEC	WIRE METRIC	CONDUCTOR CRIMP HEIGHT	CONDUCTOR CRIMP HEIGHT METRIC	CONDUCTOR CRIMP WIDTH	CONDUCTOR CRIMP WIDTH METRIC	INSULATION CRIMP HEIGHT	INSULATION CRIMP HEIGHT METRIC	INSULATION CRIMP WIDTH	INSULATION CRIMP WIDTH METRIC	INSULATION CRIMP PUNCH OPTION	INSULATION CRIMP PUNCH TYPE	INSULATION CRIMP PUNCH SECT
US 22		0.35	1.40	1.30	2.05	1.95	1.95	2.60	2.60	2.40	2.40	2	2.80	CONDUCTOR
CS 18		0.75/1.20	1.50	1.30/1.50		4.20	4.15/4.20	4.10	4.10	2	2	2.80	INSULATION	INSULATION

WIRE SIZE	WIRE TYPE	WIRE SPEC	WIRE METRIC	CONDUCTOR CRIMP HEIGHT	CONDUCTOR CRIMP HEIGHT METRIC	CONDUCTOR CRIMP WIDTH	CONDUCTOR CRIMP WIDTH METRIC	INSULATION CRIMP HEIGHT	INSULATION CRIMP HEIGHT METRIC	INSULATION CRIMP WIDTH	INSULATION CRIMP WIDTH METRIC	INSULATION CRIMP PUNCH OPTION	INSULATION CRIMP PUNCH TYPE	INSULATION CRIMP PUNCH SECT
US 22		0.35	1.40	1.30	2.05	1.95	1.95	2.60	2.60	2.40	2.40	2	2.80	CONDUCTOR
CS 18		0.75/1.20	1.50	1.30/1.50		4.20	4.15/4.20	4.10	4.10	2	2	2.80	INSULATION	INSULATION

WIRE SIZE	WIRE TYPE	WIRE SPEC	WIRE METRIC	CONDUCTOR CRIMP HEIGHT	CONDUCTOR CRIMP HEIGHT METRIC	CONDUCTOR CRIMP WIDTH	CONDUCTOR CRIMP WIDTH METRIC	INSULATION CRIMP HEIGHT	INSULATION CRIMP HEIGHT METRIC	INSULATION CRIMP WIDTH	INSULATION CRIMP WIDTH METRIC	INSULATION CRIMP PUNCH OPTION	INSULATION CRIMP PUNCH TYPE	INSULATION CRIMP PUNCH SECT
US 22		0.35	1.40	1.30	2.05	1.95	1.95	2.60	2.60	2.40	2.40	2	2.80	CONDUCTOR
CS 18		0.75/1.20	1.50	1.30/1.50		4.20	4.15/4.20	4.10	4.10	2	2	2.80	INSULATION	INSULATION

WIRE SIZE	WIRE TYPE	WIRE SPEC	WIRE METRIC	CONDUCTOR CRIMP HEIGHT	CONDUCTOR CRIMP HEIGHT METRIC	CONDUCTOR CRIMP WIDTH	CONDUCTOR CRIMP WIDTH METRIC	INSULATION CRIMP HEIGHT	INSULATION CRIMP HEIGHT METRIC	INSULATION CRIMP WIDTH	INSULATION CRIMP WIDTH METRIC	INSULATION CRIMP PUNCH OPTION	INSULATION CRIMP PUNCH TYPE	INSULATION CRIMP PUNCH SECT
US 22		0.35	1.40	1.30	2.05	1.95	1.95	2.60	2.60	2.40	2.40	2	2.80	CONDUCTOR
CS 18		0.75/1.20	1.50	1.30/1.50		4.20	4.15/4.20	4.10	4.10	2	2	2.80	INSULATION	INSULATION

WIRE SIZE	WIRE TYPE	WIRE SPEC	WIRE METRIC	CONDUCTOR CRIMP HEIGHT	CONDUCTOR CRIMP HEIGHT METRIC	CONDUCTOR CRIMP WIDTH	CONDUCTOR CRIMP WIDTH METRIC	INSULATION CRIMP HEIGHT	INSULATION CRIMP HEIGHT METRIC	INSULATION CRIMP WIDTH	INSULATION CRIMP WIDTH METRIC	INSULATION CRIMP PUNCH OPTION	INSULATION CRIMP PUNCH TYPE	INSULATION CRIMP PUNCH SECT
US 22		0.35	1.40	1.30	2.05	1.95	1.95	2.60	2.60	2.40	2.40	2	2.80	CONDUCTOR
CS 18		0.75/1.20	1.50	1.30/1.50		4.20	4.15/4.20	4.10	4.10	2	2	2.80	INSULATION	INSULATION

WIRE SIZE	WIRE TYPE	WIRE SPEC	WIRE METRIC	CONDUCTOR CRIMP HEIGHT	CONDUCTOR CRIMP HEIGHT METRIC	CONDUCTOR CRIMP WIDTH	CONDUCTOR CRIMP WIDTH METRIC	INSULATION CRIMP HEIGHT	INSULATION CRIMP HEIGHT METRIC	INSULATION CRIMP WIDTH	INSULATION CRIMP WIDTH METRIC	INSULATION CRIMP PUNCH OPTION	INSULATION CRIMP PUNCH TYPE	INSULATION CRIMP PUNCH SECT
US 22		0.35	1.40	1.30	2.05	1.95	1.95	2.60	2.60	2.40	2.40	2	2.80	CONDUCTOR
CS 18		0.75/1.20	1.50	1.30/1.50		4.20	4.15/4.20	4.10	4.10	2	2	2.80	INSULATION	INSULATION

## Looking for pricing, stock, or lifecycle information?

Click below to explore more details on WIN SOURCE:

- ⊖ [View WRB2405S-3WR3 on WIN SOURCE](#)
- ⊖ [Shenzhen Hi-Link Electronics Co., Ltd. Information](#)

## Optimize Your Supply Chain with WIN SOURCE Solutions

- ✓ Global Sourcing Solution
- ✓ Obsolete Management
- ✓ Cost Control Management
- ✓ Shortage Management
- ✓ Alternative Solution
- ✓ Excess Inventory Management