



**THE DATASHEET OF
GP.1575.18.4.A.02**



SPECIFICATION

Part No. : GP.1575.18.4.A.02

Product Name : Miniature GPS/GALILEO Patch Antenna

Features : 18mm*18mm*4mm

ROHS Compliant

:



1. Introduction

This ceramic GPS/GALILEO patch antenna is based on smart *XtremeGain*™ technology. It is mounted via pin and double-sided adhesive and has been selected as optimal solution for the 50x50mm ground plane.

2. Specification Table

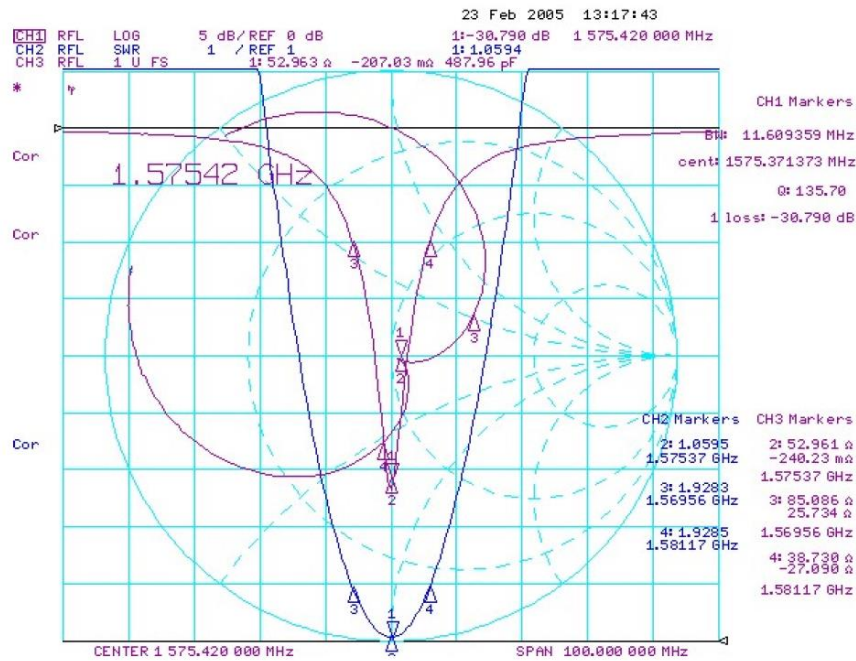
Original Patch Specification tested on 50*50mm ground plane

No	Parameter	Specification
1	Center Frequency	1575MHz +/- 3MHz**
2	Impedance	50Ω
3	Bandwidth	8MHz min Return Loss <-10dB
4	VSWR	1.5 max
5	Gain toward Zenith	+2.5 dBic typ.
6	Gain at 10°Elevation	-4.5 dBic typ.
7	Axial Ratio	3dB Max. Center Frequency
8	Polarization	Right Hand Circular Polarization
9	Frequency Temperature Coefficient (τf)	0 ± 20ppm/°C
10	Operating Temperature	-40°C to +85°C

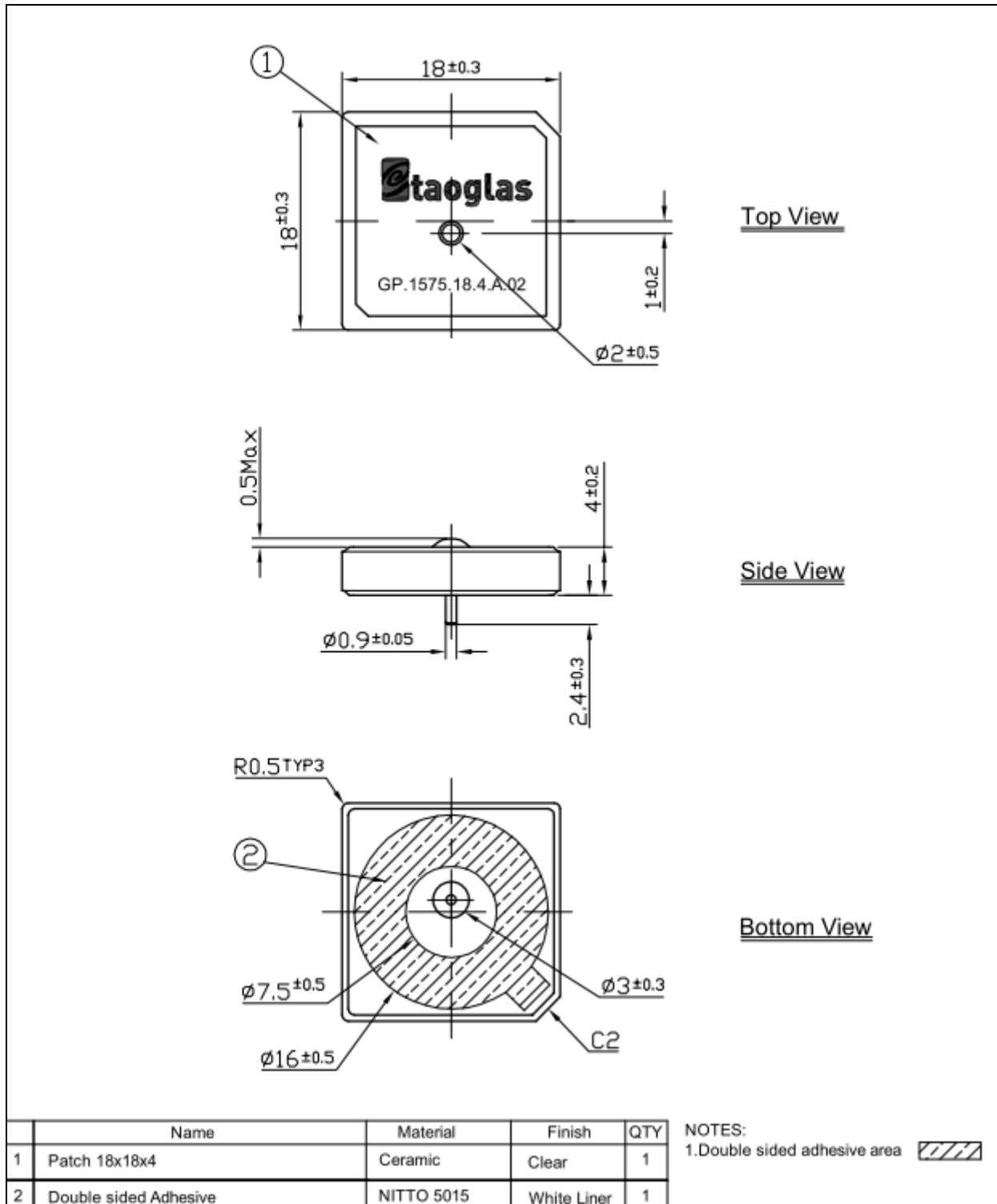
**Changes in user groundplane and environment will offset centre frequency

Electrical Specification

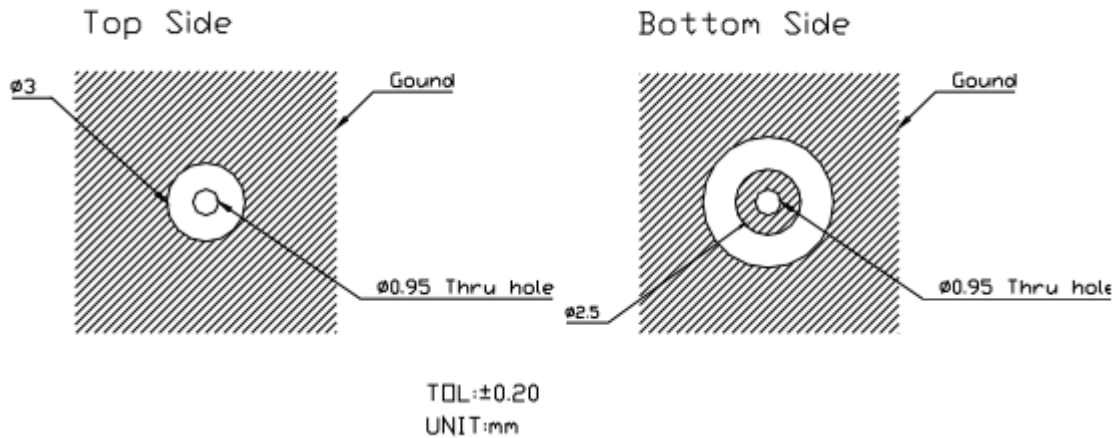
2.1. Smith Chart



3. Dimensions and Drawing

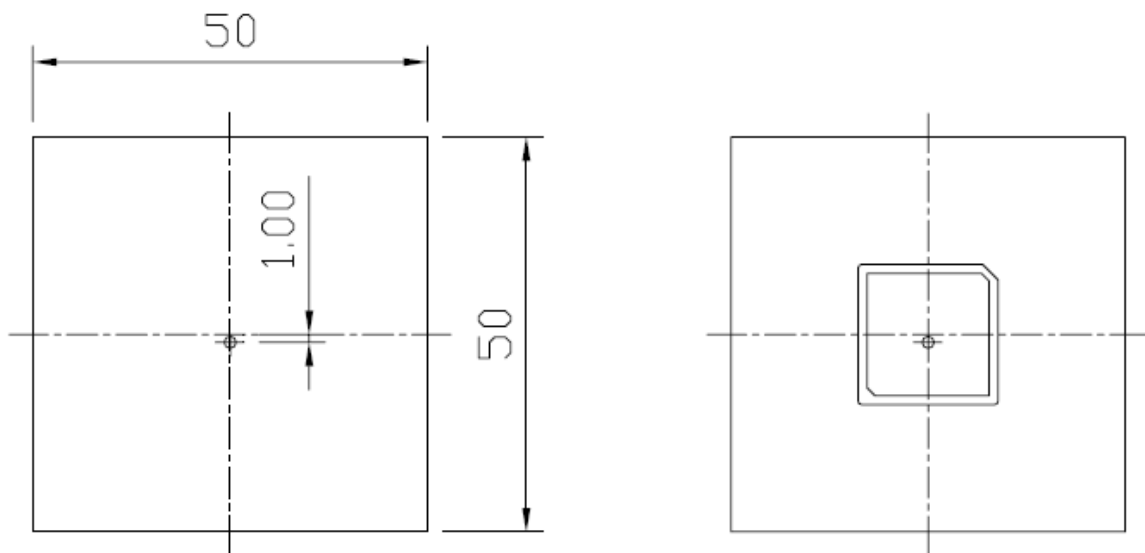


3.1. Layout Dimension

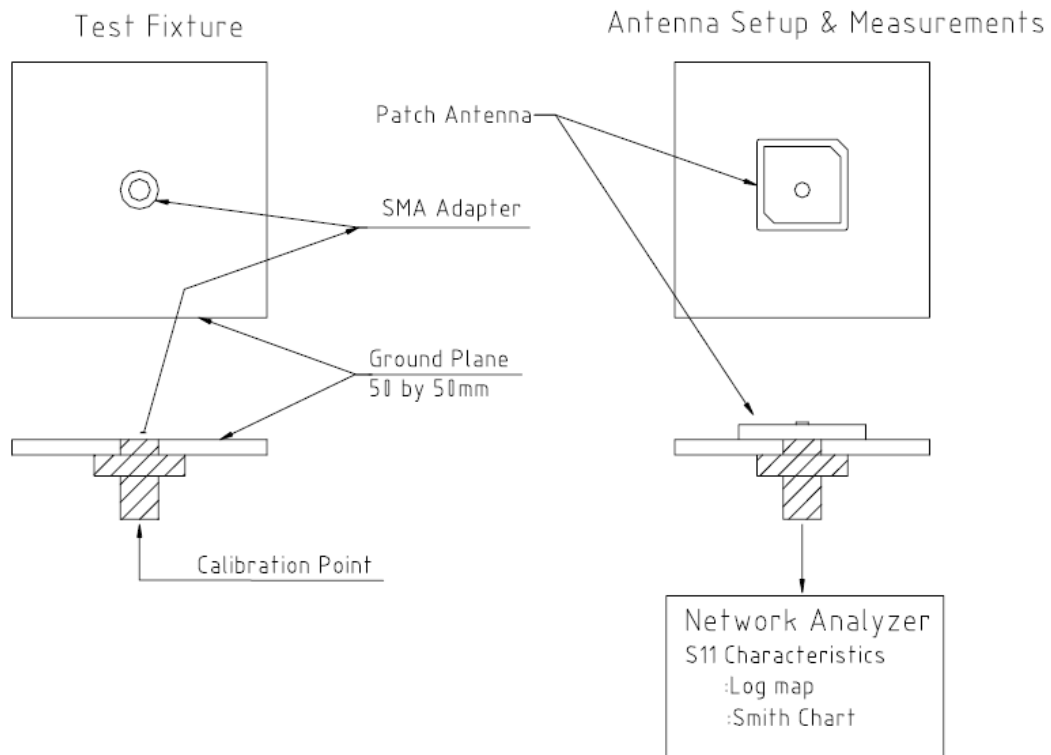


*Note Layout Dimensions may be affected by the thickness of the PCB

4. Test Jig and Dimensions

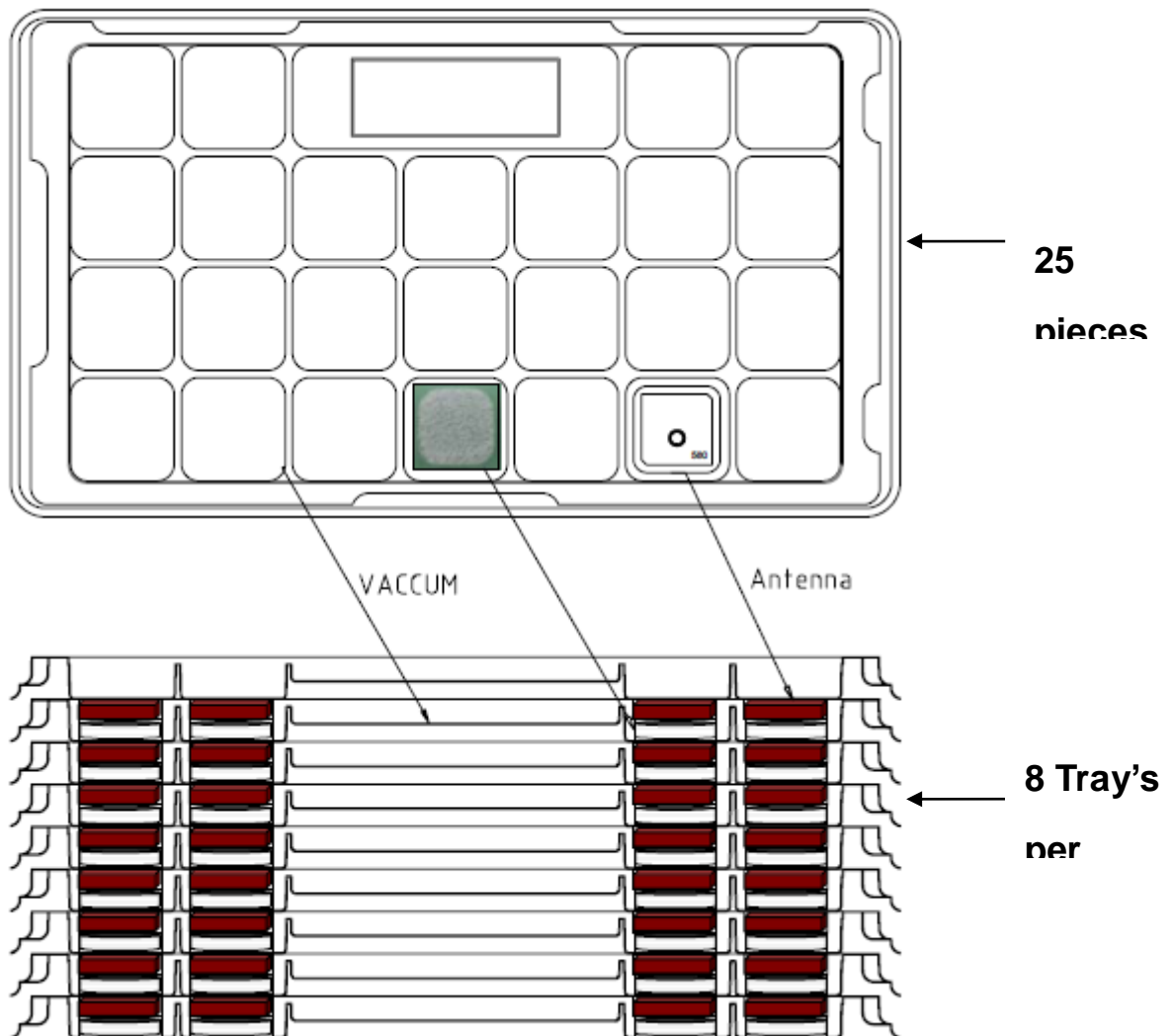


4.1. Test Fixture Antenna Setup & Measurements

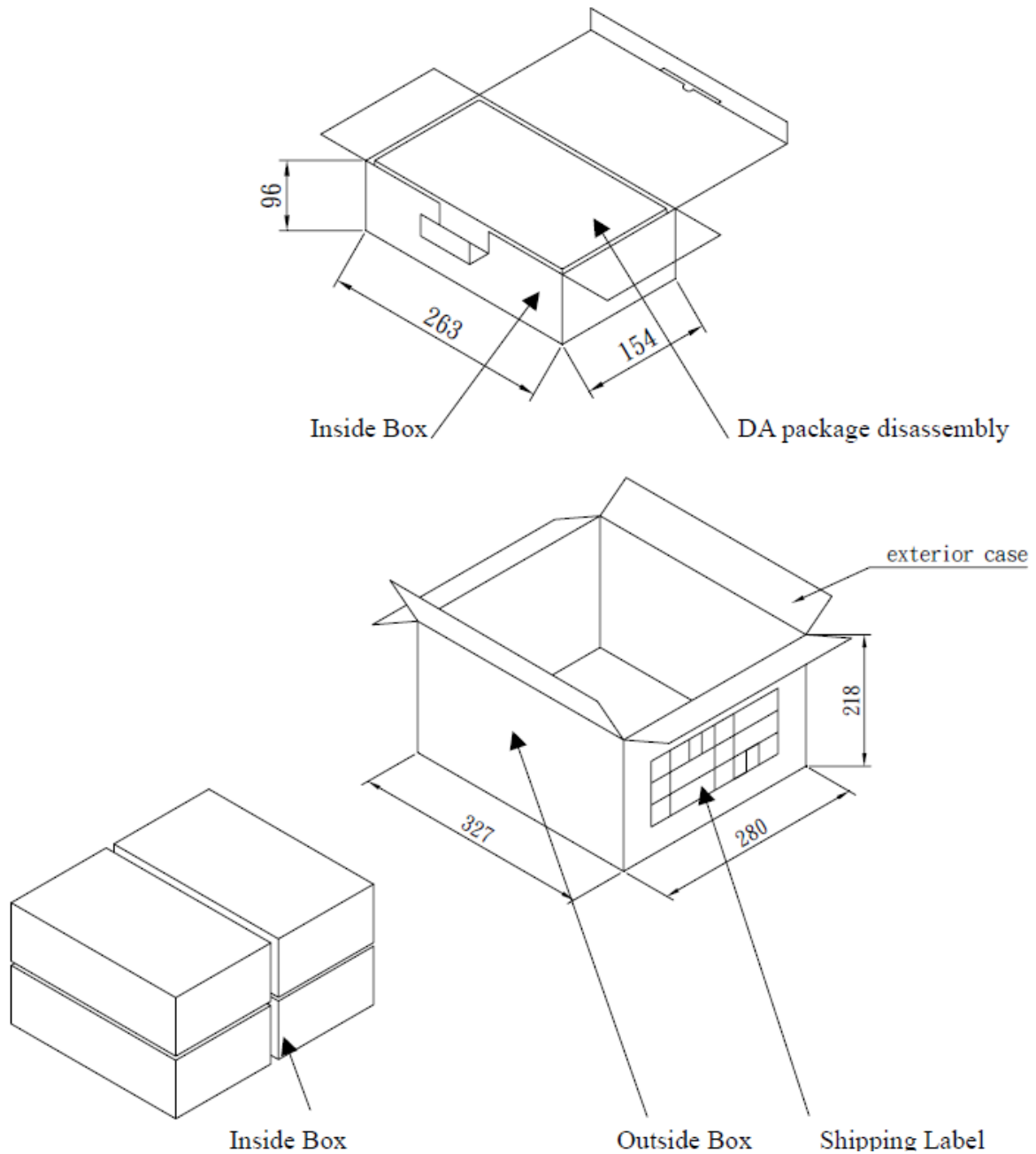


5. Packaging

- Per Tray: 25 pieces
- Per Carton(Inside Box) – 8 Trays = 200 pieces
- Outer Carton (Outside Box)– 4 Cartons = 800 pieces



Packing



Taoglas makes no warranties based on the accuracy or completeness of the contents of this document and reserves the right to make changes to specifications and product descriptions at any time without notice. Taoglas reserves all rights to this document and the information contained herein.

Reproduction, use or disclosure to third parties without express permission is strictly prohibited.

Copyright © Taoglas Ltd.

Looking for pricing, stock, or lifecycle information?

Click below to explore more details on WIN SOURCE:

- ⊖ [View GP.1575.18.4.A.02 on WIN SOURCE](#)
- ⊖ [Taoglas Limited Information](#)

Optimize Your Supply Chain with WIN SOURCE Solutions

- ✓ Global Sourcing Solution
- ✓ Obsolete Management
- ✓ Cost Control Management
- ✓ Shortage Management
- ✓ Alternative Solution
- ✓ Excess Inventory Management