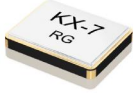




THE DATASHEET OF
12.60208



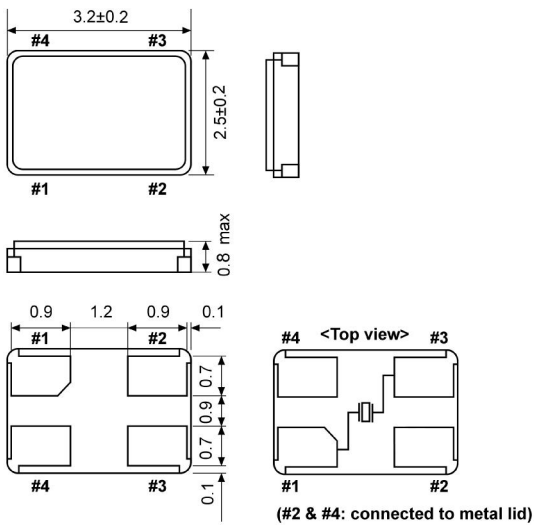


Quartz Crystal

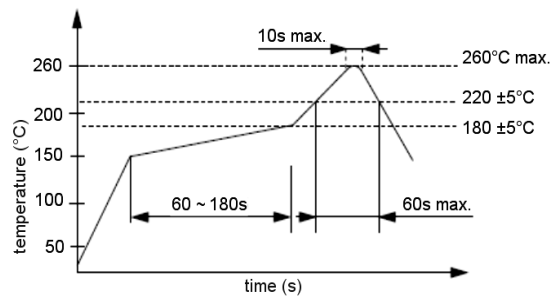
SMD-version

| | |
|----------------------------------|---------------|
| part no. | 12.60208 |
| model | KX – 7T |
| frequency | 26.0 MHz |
| mode | fundamental |
| operating temperature | -40° ~ +85°C |
| storage temperature | -40° ~ +125°C |
| frequency tolerance at +25°C | ±10 ppm |
| temperature tolerance | ±20 ppm |
| load capacitance C_L | 8 pF |
| series resistance R1 max. | 60 Ohm |
| aging at +25°C (first year) max. | ±2 ppm |
| shunt capacitance C_O max. | 3.5 pF |
| drive level max. | 200 µW |
| AEC-Q200 | yes |
| TPMS | yes |
| contents of reel | 1000 pcs. |

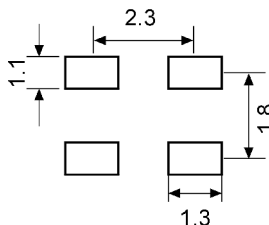
Dimensions (mm):



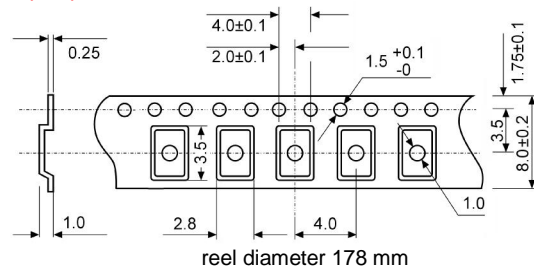
Reflow soldering condition:



Suggested soldering pad:



Tape specification:



Looking for pricing, stock, or lifecycle information?

Click below to explore more details on WIN SOURCE:

- [View 12.60208 on WIN SOURCE](#)
- [Geyer Electronic America, Inc. Information](#)

Optimize Your Supply Chain with WIN SOURCE Solutions

- ✓ Global Sourcing Solution
- ✓ Obsolete Management
- ✓ Cost Control Management
- ✓ Shortage Management
- ✓ Alternative Solution
- ✓ Excess Inventory Management