



# THE DATASHEET OF LM3812M-1.0/NOPB



# LM3812/LM3813 Precision Current Gauge IC with Ultra Low Loss Sense Element and PWM Output

Check for Samples: [LM3812](#), [LM3813](#)

## FEATURES

- No External Sense Element Required
- PWM Output Indicates the Current Magnitude and Direction
- PWM Output can be Interfaced with Microprocessors
- Precision  $\Delta\Sigma$  Current-Sense Technique
- Low Temperature Sensitivity
- Internal Filtering Rejects False Trips
- Internal Power-On-Reset (POR)

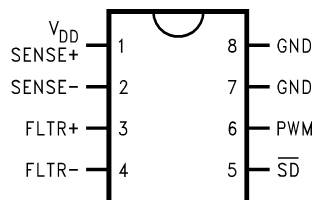
## APPLICATIONS

- Battery Charge/Discharge Gauge
- Motion Control Diagnostics
- Power Supply Load Monitoring and Management
- Resettable Smart Fuse

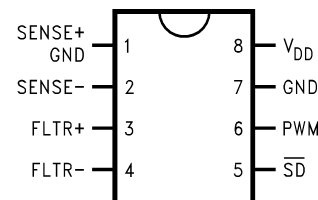
## KEY SPECIFICATIONS

- Ultra Low Insertion Loss (Typically 0.004 $\Omega$ )
- 2V to 5.25V Supply Range
- $\pm 2\%$  Accuracy at Room Temperature (Includes Accuracy of the Internal Sense Element) (LM3812-1.0, LM3813-1.0)
- Low Quiescent Current In Shutdown Mode (Typically 2.5  $\mu\text{A}$ )
- 50 msec Sampling Interval

## Connection Diagrams



**Figure 1. LM3812 (Top View) for High-Side Sensing**



**Figure 2. LM3813 (Top View) for Low-Side Sensing**

## DESCRIPTION

The LM3812/LM3813 Current Gauges provide easy to use precision current measurement with virtually zero insertion loss (typically 0.004 $\Omega$ ). The LM3812 is used for high-side sensing and the LM3813 is used for low-side sensing.

A Delta Sigma analog to digital converter is incorporated to precisely measure the current and to provide a current averaging function. Current is averaged over 50 msec time periods in order to provide immunity to current spikes. The ICs have a pulse-width modulated (PWM) output which indicates the current magnitude and direction. The shutdown pin can be used to inhibit false triggering during start-up, or to enter a low quiescent current mode.

The LM3812 and LM3813 are factory-set in two different current options. The sense range is  $-1\text{A}$  to  $+1\text{A}$  or  $-7\text{A}$  to  $+7\text{A}$ . The sampling interval for these parts is 50ms. If faster sampling is desired, please refer to the data sheets for the part numbers LM3814 and LM3815.



Please be aware that an important notice concerning availability, standard warranty, and use in critical applications of Texas Instruments semiconductor products and disclaimers thereto appears at the end of this data sheet.

All trademarks are the property of their respective owners.

**PIN DESCRIPTIONS (High-Side, LM3812)**

Pin	Name	Function
1	SENSE+, $V_{DD}$	High side of internal current sense, also supply voltage.
2	SENSE-	Low side of internal current sense.
3	FLTR+	Filter input — provides anti-aliasing for delta sigma modulator.
4	FLTR-	Filter input.
5	$\overline{SD}$	Shutdown pin. Connected to $V_{DD}$ through a pull up resistor for normal operation. When low, the IC goes into a low current mode (typically 3 $\mu A$ ).
6	PWM	PWM output indicates the current magnitude and direction.
7	GND	Ground
8	GND	Ground

**PIN DESCRIPTIONS (Low-Side, LM3813)**

Pin	Name	Function
1	SENSE+, GND	High side of internal current sense, also ground.
2	SENSE-	Low side of internal current sense.
3	FLTR+	Filter input – provides anti-aliasing for delta sigma modulator.
4	FLTR-	Filter input.
5	$\overline{SD}$	Shutdown pin. Connected to $V_{DD}$ through a pull up resistor for normal operation. When low, the IC goes into a low current mode (typically 3 $\mu A$ ).
6	PWM	PWM output indicates the current magnitude and direction.
7	GND	Ground
8	$V_{DD}$	$V_{DD}$ (supply)



These devices have limited built-in ESD protection. The leads should be shorted together or the device placed in conductive foam during storage or handling to prevent electrostatic damage to the MOS gates.

**ABSOLUTE MAXIMUM RATINGS** <sup>(1) (2)</sup>

Absolute Maximum Supply Voltage	5.5V
Power Dissipation	See <sup>(3)</sup>
ESD Susceptibility <sup>(4)</sup>	1.5 kV
Sense Current (peak, for 200 msec) <sup>(5)</sup>	10A
Sink Current for PWM pin	1mA
Voltage on Pin 5	5.25V
Maximum Junction Temperature	150°C
Storage Temperature	-65°C to +150°C
Lead Temperature (Soldering, 10 sec)	260°C

- (1) If Military/Aerospace specified devices are required, please contact the Texas Instruments Sales Office/ Distributors for availability and specification
- (2) Absolute Maximum Ratings indicate limits beyond which damage to the device may occur. Operating Ratings indicate conditions for which the device is intended to be functional, but do not ensure specific performance limits. For ensured specifications and test conditions, see Electrical Characteristics. The ensured specifications apply only for the test conditions listed. Some performance characteristics may degrade when the device is not operated under the listed test conditions.
- (3) At elevated temperatures, devices must be derated based on package thermal resistance. The device in the surface-mount package must be derated at  $\theta_{JA} = 150^{\circ}\text{C/W}$  (typically), junction-to-ambient.
- (4) The human body model is a 100 pF capacitor discharged through a 1.5 k $\Omega$  resistor into each pin.
- (5) The absolute maximum peak and continuous currents specified are not tested. These specifications are dependent on the  $\theta_{JA}$ , which is 150°C/W for the D0008A package.

**OPERATING RATINGS** <sup>(1)</sup>

Input Voltage	2.0V to 5.25V
Sense Current (continuous) <sup>(2)</sup>	7A
Junction Temperature Range	-40°C to +125°C

- (1) Absolute Maximum Ratings indicate limits beyond which damage to the device may occur. Operating Ratings indicate conditions for which the device is intended to be functional, but do not ensure specific performance limits. For ensured specifications and test conditions, see Electrical Characteristics. The ensured specifications apply only for the test conditions listed. Some performance characteristics may degrade when the device is not operated under the listed test conditions.
- (2) The absolute maximum peak and continuous currents specified are not tested. These specifications are dependent on the  $\theta_{JA}$ , which is 150°C/W for the D0008A package.

**ELECTRICAL CHARACTERISTICS**  
**LM3812-1.0, LM3813-1.0**

$V_{DD} = 5.0\text{V}$  for the following specifications. Supply bypass capacitor is 1  $\mu\text{F}$  and filter capacitor is 0.1  $\mu\text{F}$ .

Symbol	Parameter	Conditions	Typ <sup>(1)</sup>	Limit <sup>(2)</sup>	Units
$I_{ACC}$	Average Current Accuracy <sup>(3)</sup>	at 0.9A current	0.9	0.882 / <b>0.864</b> 0.918 / <b>0.936</b>	A A (min) A (max)
$e_n$	Effective Output Noise (rms)		2		mA

- (1) Typical numbers are at 25°C and represent the most likely parametric norm. Specifications in standard type face are for  $T_J = 25^{\circ}\text{C}$  and those with **boldface type** apply over **full operating temperature ranges**.
- (2) Limits are 100% production tested at 25°C. Limits over the operating temperature range are ensured through correlation using Statistical Quality Control (SQC) methods. The limits are used to calculate Averaging Outgoing Quality Level (AOQL).
- (3) There is a variation in accuracy over time due to thermal effects. Please refer to the [PWM OUTPUT AND CURRENT ACCURACY](#) section for more information.

**LM3812-7.0, LM3813-7.0**

$V_{DD} = 5.0V$  for the following specifications. Supply bypass capacitor is 1  $\mu F$  and filter capacitor is 0.1  $\mu F$ .

Symbol	Parameter	Conditions	Typ <sup>(1)</sup>	Limit <sup>(2)</sup>	Units
$I_{ACC}$	Average Current Accuracy <sup>(3)</sup>	at 2.5A current <sup>(4)</sup>	2.5	2.400 / <b>2.350</b> 2.600 / <b>2.650</b>	A A (min) A (max)
$e_n$	Effective Output Noise (rms)		20		mA

- (1) Typical numbers are at 25°C and represent the most likely parametric norm. Specifications in standard type face are for  $T_j = 25^\circ C$  and those with **boldface type** apply over **full operating temperature ranges**.
- (2) Limits are 100% production tested at 25°C. Limits over the operating temperature range are ensured through correlation using Statistical Quality Control (SQC) methods. The limits are used to calculate Averaging Outgoing Quality Level (AOQL).
- (3) There is a variation in accuracy over time due to thermal effects. Please refer to the [PWM OUTPUT AND CURRENT ACCURACY](#) section for more information.
- (4) The PWM accuracy for LM3812-7.0 and LM3813-7.0 depends on the amount of copper area under pins 1 and 2, and the layout. Please refer to the [PWM OUTPUT AND CURRENT ACCURACY](#) section for more information.

**COMMON DEVICE PARAMETERS**

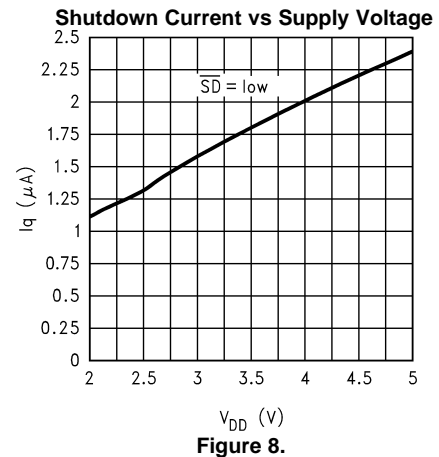
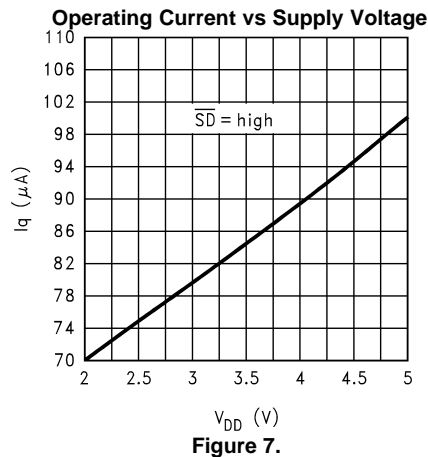
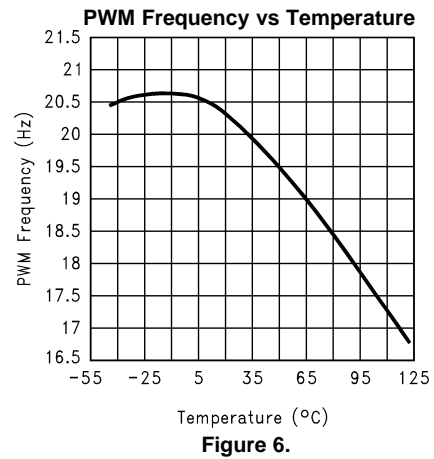
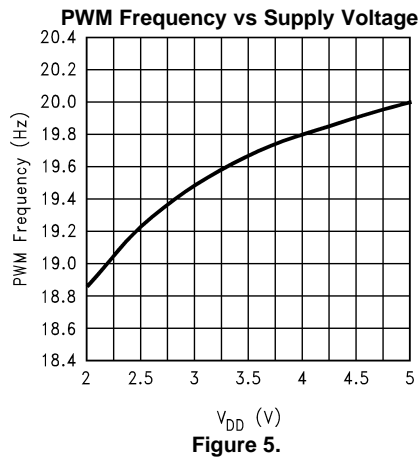
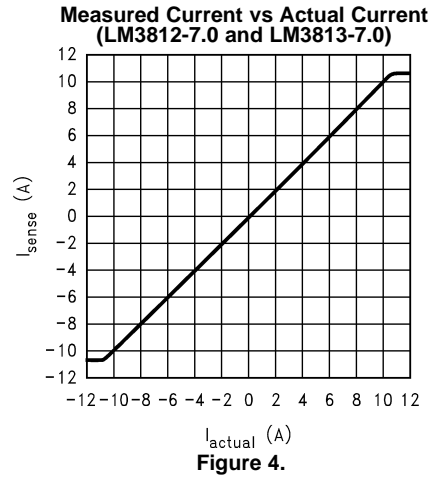
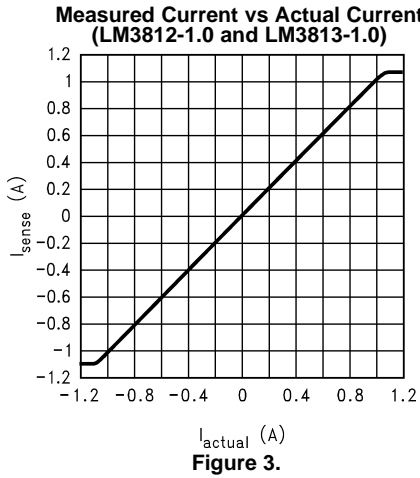
Unless otherwise specified,  $V_{DD} = 5.0V$  for the following specifications. Supply bypass capacitor is 1  $\mu F$  and filter capacitor is 0.1  $\mu F$ .

Symbol	Parameter	Conditions	Typ <sup>(1)</sup>	Limit <sup>(2)</sup>	Units
$I_{Q1}$	Quiescent Current	Normal Mode, $\overline{SD} = \text{high}$	100	<b>160</b>	$\mu A$ $\mu A$ (max)
$I_{Q2}$	Quiescent Current	Shutdown Mode, $\overline{SD} = \text{low}$	2.5	<b>10</b>	$\mu A$ $\mu A$ (max)
$D_{RES}$	PWM Resolution		0.1		%
$t_S$	Sampling Time		52	<b>40</b> <b>80</b>	ms ms (min) ms (max)
$f_P$	Frequency of PWM Waveform		20	<b>12.5</b> <b>25</b>	Hz Hz (min) Hz (max)
$V_{TH}$	Threshold High Level for $\overline{SD}$		1.2	<b>1.8</b>	V V (min)
$V_{TL}$	Threshold Low Level for $\overline{SD}$		1.3	<b>0.7</b>	V V (max)
$V_{OH}$	Logic High Level for PWM	Load current = 1 mA, $2V \leq V_{DD} \leq 5.25V$	$V_{DD} - 0.05$	$V_{DD} - 0.2$	V V (min)
$V_{OL}$	Logic Low Level for PWM	Sink current = 1 mA, $2V \leq V_{DD} \leq 5.25V$	0.04	0.2	V V (max)
$P_I$	Insertion Loss	$I_{SENSE} = 1A$ <sup>(3)</sup>	0.004		$\Omega$

- (1) Typical numbers are at 25°C and represent the most likely parametric norm. Specifications in standard type face are for  $T_j = 25^\circ C$  and those with **boldface type** apply over **full operating temperature ranges**.
- (2) Limits are 100% production tested at 25°C. Limits over the operating temperature range are ensured through correlation using Statistical Quality Control (SQC) methods. The limits are used to calculate Averaging Outgoing Quality Level (AOQL).
- (3) The tolerance of the internal lead frame resistor is corrected internally. The temperature coefficient of this resistor is 2600 ppm/°C.

**TYPICAL PERFORMANCE CHARACTERISTICS**

Supply bypass capacitor is 0.1  $\mu$ F and filter capacitor is 0.1  $\mu$ F.



**TYPICAL PERFORMANCE CHARACTERISTICS (continued)**

Supply bypass capacitor is 0.1  $\mu\text{F}$  and filter capacitor is 0.1  $\mu\text{F}$ .

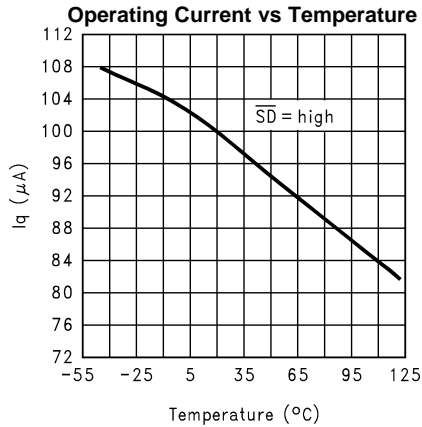


Figure 9.

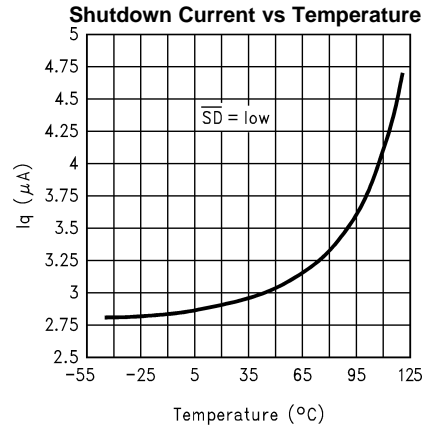


Figure 10.

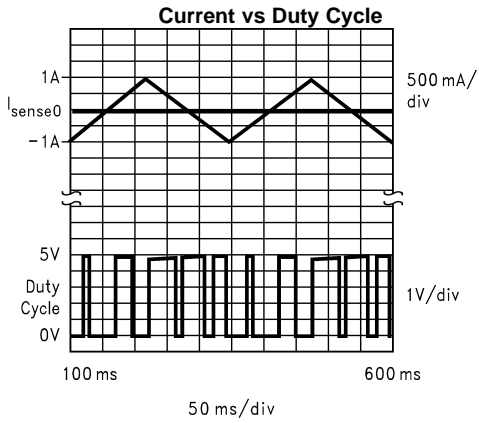


Figure 11.

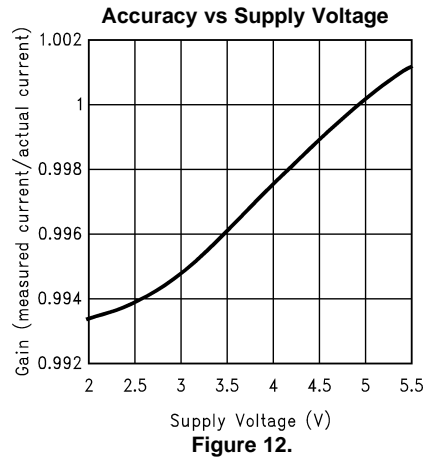


Figure 12.

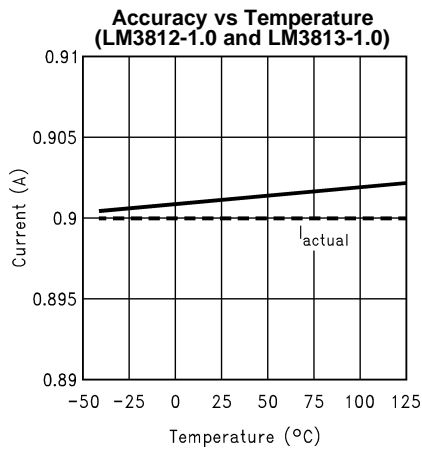


Figure 13.

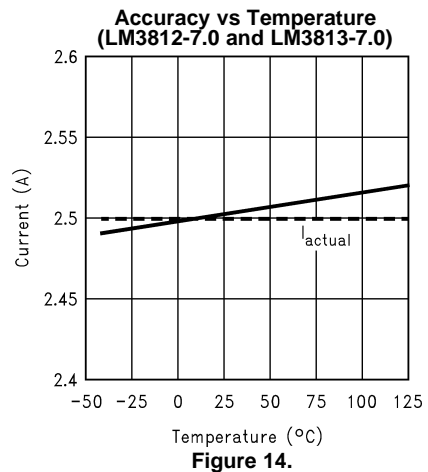
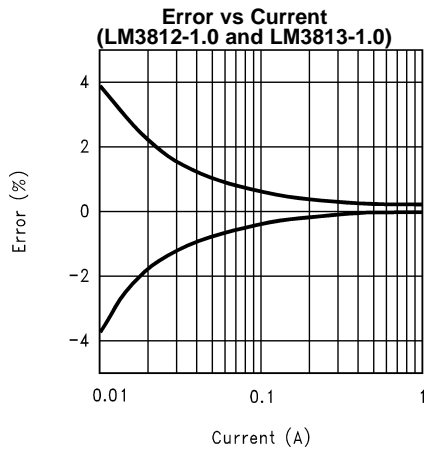


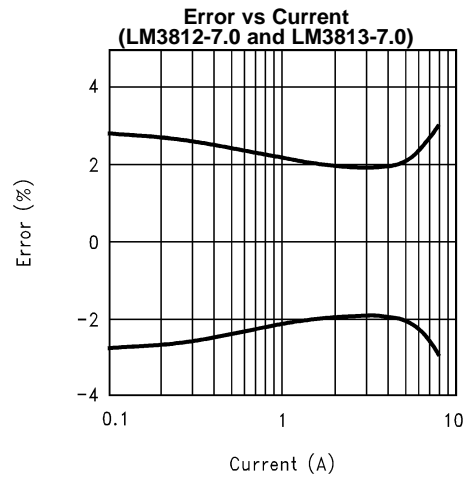
Figure 14.

**TYPICAL PERFORMANCE CHARACTERISTICS (continued)**

Supply bypass capacitor is 0.1  $\mu$ F and filter capacitor is 0.1  $\mu$ F.



**Figure 15.**

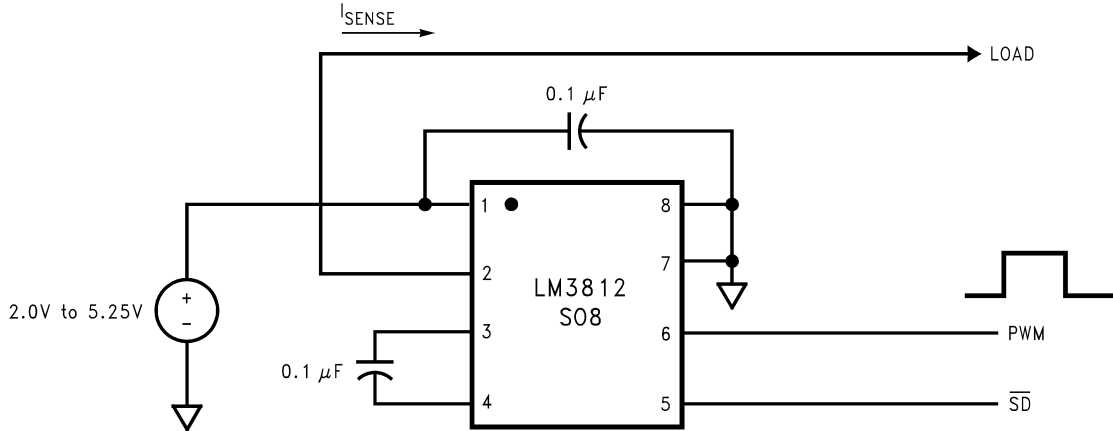


**Figure 16.**

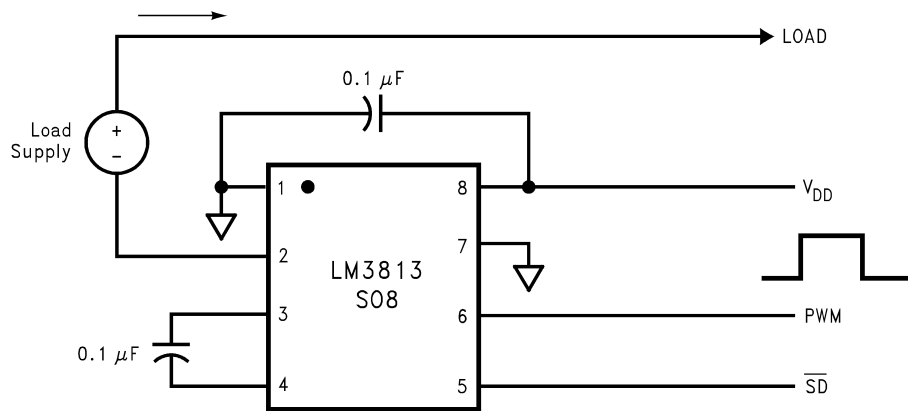
These curves represent a statistical average such that the noise is insignificant.

**TYPICAL APPLICATION CIRCUITS**

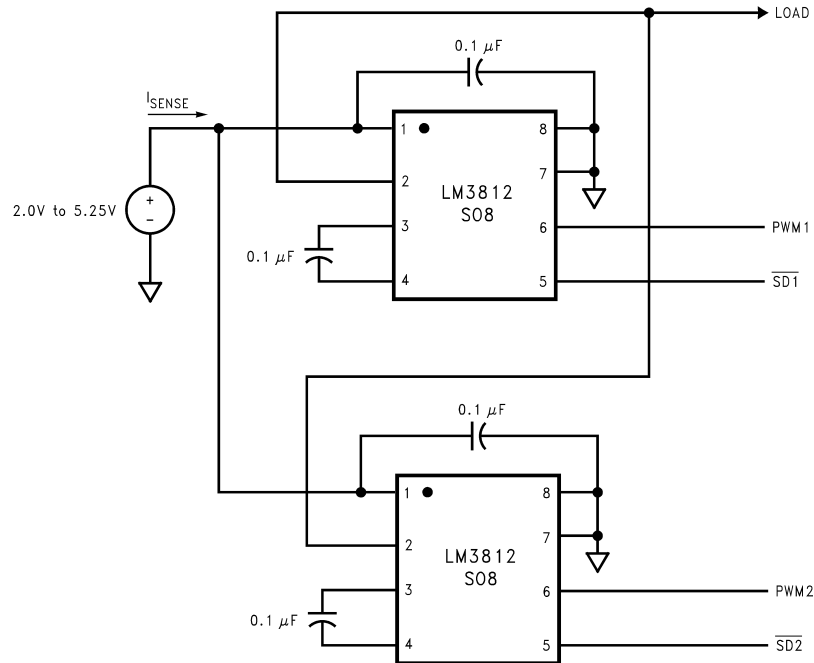
In the application circuits, the 0.1  $\mu\text{F}$  ceramic capacitor between pins 1 and 8 is used for bypassing, and the 0.1  $\mu\text{F}$  ceramic capacitor between pins 3 and 4 is used for filtering. Shutdown ( $\overline{\text{SD}}$ ) is tied to  $V_{\text{DD}}$  through a 10 k $\Omega$  resistor.



**Figure 17. High Side Sense**



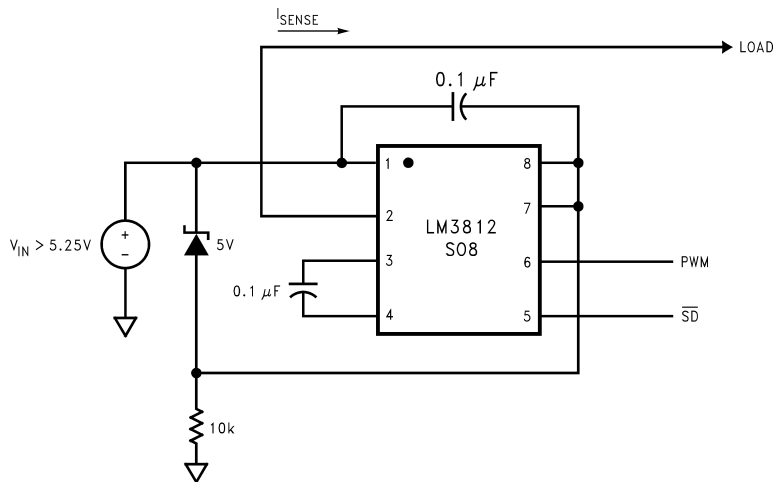
**Figure 18. Low Side Sense**



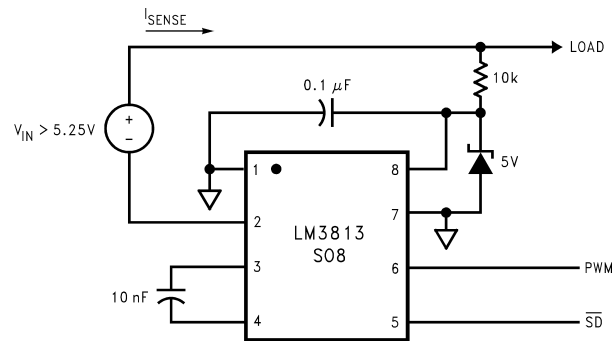
$$I_{TOTAL} = 2.2(D_1 - 0.5)I_{MAX} + 2.2(D_2 - 0.5)I_{MAX}$$
 where  $D_1$  is the duty cycle of PWM1 and  $D_2$  is the duty cycle of PWM2.

**Figure 19. Paralleling LM3812 for Higher Load Current**

Please refer to the [PRODUCT OPERATION](#) section for more information.



**Figure 20. High Voltage Operation —  $V_{IN}$  Greater Than 5.25V (High Side Sense) (PWM output is referred to Pin 7)**



**Figure 21. High Voltage Operation —  $V_{IN}$  Greater Than 5.25V (Low Side Sense)**

## PRODUCT OPERATION

The current is sampled by the delta-sigma modulator, as illustrated in Figure 22. The pulse density output of the delta-sigma modulator is digitally filtered. The digital output is then compared to the output of a digital ramp generator. This produces a PWM output. The duty cycle of the PWM output is proportional to the amount of current flowing. A duty cycle of 50% indicates zero current flow. If the current is flowing in positive direction, the duty cycle will be greater than 50%. Conversely, the duty cycle will be less than 50% for currents flowing in the negative direction. A duty cycle of 95.5% (4.5%) indicates the current is at  $I_{MAX}$  ( $-I_{MAX}$ ). The IC can sense currents from  $-I_{MAX}$  to  $+I_{MAX}$ . Options for  $I_{MAX}$  are 1A or 10A. The sense current is given by:

$$I_{SENSE} = 2.2 (D-0.5)(I_{MAX})$$

where

- D is the duty cycle of the PWM waveform.
- $I_{MAX}$  is the full scale current (1A or 10A).

Similarly, the duty cycle is given by:

$$D = [I_{SENSE}/(2.2 I_{MAX})] + 0.5$$

For quick reference, see the Conversion Tables in Table 1 and Table 2.

**The user should note that, while the LM3812-7.0/ LM3813-7.0 will read 10A full scale, it is rated for 10A operation for a duration of no more than 200 msec, and 7A operation continuously.**

In this IC, the current is averaged over 50 msec time slots. Hence, momentary current surges of less than 50 msec are tolerated.

This is a sampled data system which requires an anti-aliasing filter, provided by the filter capacitor.

The delta-sigma modulator converts the sensed current to the digital domain. This allows digital filtering, and provides immunity to current and noise spikes. This type of filtering would be difficult or impossible to accomplish on an IC with analog components.

When ordering, the user has to specify whether the part is being used for low-side or high-side sense. The user also needs to specify the full scale value.

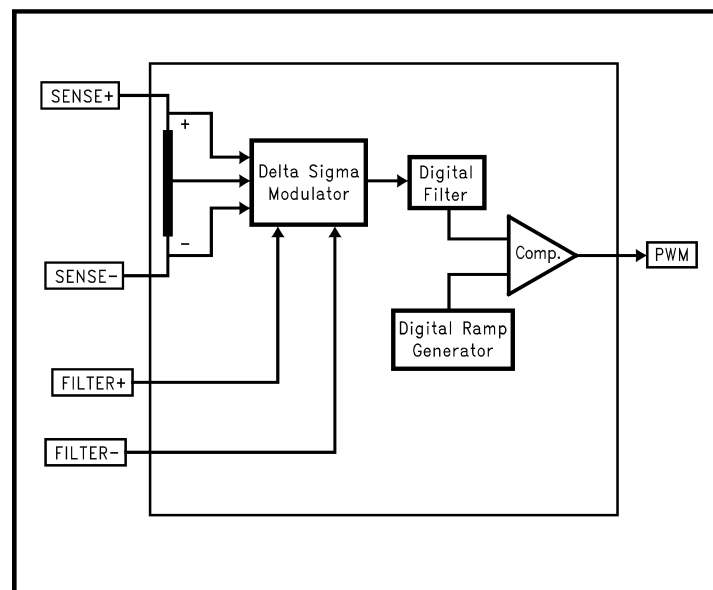


Figure 22. Functional Block Diagram of LM3812 and LM3813

## PWM OUTPUT AND CURRENT ACCURACY

### Offset

The PWM output is quantized to 1024 levels. Therefore, the duty cycle can change only in increments of 1/1024.

There is a one-half (0.5) quantization cycle delay in the output of the PWM circuitry. That is to say that instead of a duty cycle of  $N/1024$ , the duty cycle actually is  $(N+1/2)/1024$ .

The quantization error can be corrected for if a more precise result is desired. To correct for this error, simply subtract 1/2048 from the measured duty cycle.

The extra half cycle delay will show up as a DC offset of 1/2 bit if it is not corrected for. This is approximately 1.1 mA for 1 Amp parts, and 11 mA for 7 Amp parts.

### Jitter

In addition to quantization, the duty cycle will contain some jitter. The jitter is quite small (for example, the standard deviation of jitter is only 0.1% for the LM3812/13-1.0). Statistically the jitter can cause an error in a current sample. Because the jitter is a random variable, the mean and standard deviation are used. The mean, or average value, of the jitter is zero. The standard deviation (0.1%) can be used to define the peak error caused from jitter.

The “crest factor” has often been used to define the maximum error caused by jitter. The crest factor defines a limit within which 99.7% of the samples fall. The crest factor is defined as  $\pm 0.3\%$  error in the duty cycle.

Since the jitter is a random variable, averaging multiple outputs will reduce the effective jitter. Obeying statistical laws, the jitter is reduced by the square root of the number of readings that are averaged. For example, if four readings of the duty cycle are averaged, the resulting jitter (and crest factor) are reduced by a factor of two.

### Jitter and Noise

Jitter in the PWM output appears as noise in the current measurement. The Electrical Characteristics show noise measured in current RMS (root mean square). Arbitrarily one could specify PWM jitter, as opposed to noise. In either case the effect results in a random error in an individual current measurement.

Noise, just like jitter, can be reduced by averaging many readings. The RMS value of the noise corresponds to one standard deviation. The “crest factor” can be calculated in terms of current, and is equal to  $\pm 3$  sigma (RMS value of the noise).

Noise will also be reduced by averaging multiple readings, and follows the statistical laws of a random variable.

### Accuracy of 7A Versions

The graph of [Figure 23](#) shows two possible responses to a 7A current step. The flat response shows basically a 7A level with some noise. This is what is possible with a good thick trace and a good thermal connection to the IC on the sense pins.

The second trace that asymptotically approaches a higher value shows what can happen under extremely poor thermal conditions. Here a very small wire connects the IC to the current source. The very small wire does not allow heat in the sense resistor to dissipate. Hence, as the sense resistor heats up, a temperature difference between the sense element and the die gets larger, and an error develops. Eventually the temperature difference reaches steady state, which accounts for the under-damped exponential response.

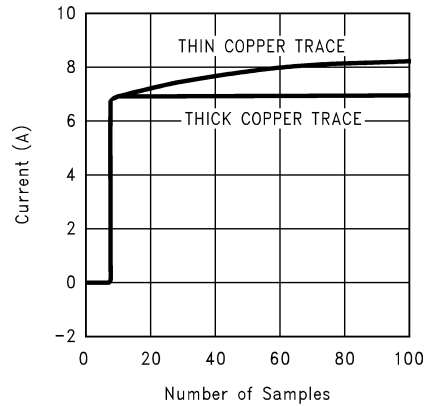


Figure 23. Transient Response to 7 Amp Step Current

### Accuracy Versus Noise

The graph shown in Figure 24 illustrates the typical response of  $\pm 1$  Ampere current gauges. In this graph, the horizontal axis indicates time, and the vertical axis indicates measured current (the PWM duty cycle has been converted to current). The graph was generated for an actual current of 500 mA.

The difference between successive readings manifests itself as jitter in the PWM output or noise in the current measurement (when duty cycle of the PWM output is converted to current).

The accuracy of the measurement depends on the noise in the current waveform. The accuracy can be improved by averaging several outputs. Although there is variation in successive readings, a very accurate measurement can be obtained by averaging the readings. For example, on averaging the readings shown in this example, the average current measurement is 502.3 mA (Figure 24). This value is very close to the actual value of 500 mA. Moreover, the accuracy depends on the number of readings that are averaged.

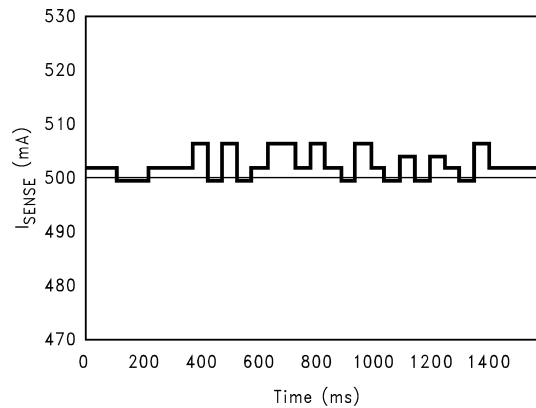


Figure 24. Typical Response of LM3812-1.0/LM3813-1.0

## LOOK-UP TABLES

The following tables show how to convert the duty cycle of the PWM output to a current value, and vice versa. The quantization error of ½ bit is not shown in these tables. Please see the [PWM OUTPUT AND CURRENT ACCURACY](#) section for more details.

**Table 1. Current to Duty Cycle Conversion Table**

Sense Current (Amps) <sup>(1)</sup>	Duty Cycle (%)		Sense Current (Amps) <sup>(1)</sup>	Duty Cycle (%)
1.00	95.5		-1.00	4.5
0.95	93.2		-0.95	6.8
0.90	90.9		-0.90	9.1
0.85	88.6		-0.85	11.4
0.80	86.4		-0.80	13.6
0.75	84.1		-0.75	15.9
0.70	81.8		-0.70	18.2
0.65	79.5		-0.65	20.5
0.60	77.3		-0.60	22.7
0.55	75.0		-0.55	25.0
0.50	72.7		-0.50	27.3
0.45	70.5		-0.45	29.5
0.40	68.2		-0.40	31.8
0.35	65.9		-0.35	34.1
0.30	63.6		-0.30	36.4
0.25	61.4		-0.25	38.6
0.20	59.1		-0.20	40.9
0.15	56.8		-0.15	43.2
0.10	54.5		-0.10	45.5
0.05	52.3		-0.05	47.7
0.00	50.0		-0.00	50.0

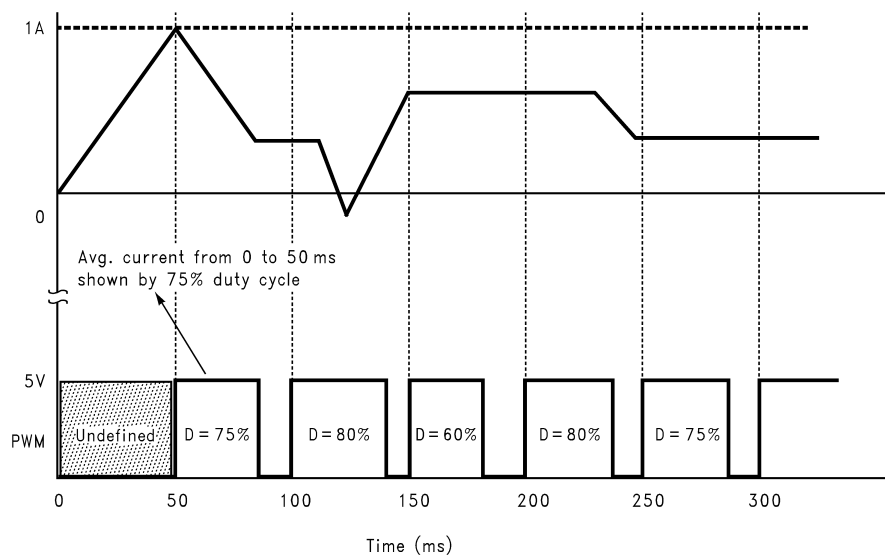
- (1) Maximum Sense Current = 1.0 Amps for LM3812-1.0 and LM3813-1.0.  
The sense current should be multiplied by 10 for LM3812-7.0 and LM3813-7.0.

**Table 2. Duty Cycle to Current Conversion Table**

Duty Cycle (%)	Sense Current (Amps) <sup>(1)</sup>		Duty Cycle (%)	Sense Current (Amps) <sup>(1)</sup>
95.5	0.990		50.0	-0.000
92.5	0.935		47.5	-0.055
90.0	0.880		45.0	-0.110
87.5	0.825		42.5	-0.165
85.0	0.770		40.0	-0.220
82.5	0.715		37.5	-0.275
80.0	0.660		35.0	-0.330
77.5	0.605		32.5	-0.385
75.0	0.550		30.0	-0.440
72.5	0.495		27.5	-0.495
70.0	0.440		25.0	-0.550
67.5	0.385		22.5	-0.605
65.0	0.330		20.0	-0.660
62.5	0.275		17.5	-0.715
60.0	0.220		15.0	-0.770
57.5	0.165		12.5	-0.825
55.0	0.110		10.0	-0.880
52.5	0.055		7.5	-0.935
50.0	0.000		5.0	-0.990

(1) Maximum Sense Current = 1.0 Amps for LM3812-1.0 and LM3813-1.0.  
The sense current should be multiplied by 10 for LM3812-7.0 and LM3813-7.0.

**TIMING DIAGRAM**



Duty cycle of the PWM waveform during any sampling interval indicates the current magnitude (average) and direction during the previous sampling interval.

**Figure 25. Typical Timing Diagram for Mostly Positive Current**

## REVISION HISTORY

Changes from Revision C (April 2013) to Revision D	Page
• Changed layout of National Data Sheet to TI format .....	<a href="#">15</a>

## IMPORTANT NOTICE

Texas Instruments Incorporated and its subsidiaries (TI) reserve the right to make corrections, enhancements, improvements and other changes to its semiconductor products and services per JESD46, latest issue, and to discontinue any product or service per JESD48, latest issue. Buyers should obtain the latest relevant information before placing orders and should verify that such information is current and complete. All semiconductor products (also referred to herein as "components") are sold subject to TI's terms and conditions of sale supplied at the time of order acknowledgment.

TI warrants performance of its components to the specifications applicable at the time of sale, in accordance with the warranty in TI's terms and conditions of sale of semiconductor products. Testing and other quality control techniques are used to the extent TI deems necessary to support this warranty. Except where mandated by applicable law, testing of all parameters of each component is not necessarily performed.

TI assumes no liability for applications assistance or the design of Buyers' products. Buyers are responsible for their products and applications using TI components. To minimize the risks associated with Buyers' products and applications, Buyers should provide adequate design and operating safeguards.

TI does not warrant or represent that any license, either express or implied, is granted under any patent right, copyright, mask work right, or other intellectual property right relating to any combination, machine, or process in which TI components or services are used. Information published by TI regarding third-party products or services does not constitute a license to use such products or services or a warranty or endorsement thereof. Use of such information may require a license from a third party under the patents or other intellectual property of the third party, or a license from TI under the patents or other intellectual property of TI.

Reproduction of significant portions of TI information in TI data books or data sheets is permissible only if reproduction is without alteration and is accompanied by all associated warranties, conditions, limitations, and notices. TI is not responsible or liable for such altered documentation. Information of third parties may be subject to additional restrictions.

Resale of TI components or services with statements different from or beyond the parameters stated by TI for that component or service voids all express and any implied warranties for the associated TI component or service and is an unfair and deceptive business practice. TI is not responsible or liable for any such statements.

Buyer acknowledges and agrees that it is solely responsible for compliance with all legal, regulatory and safety-related requirements concerning its products, and any use of TI components in its applications, notwithstanding any applications-related information or support that may be provided by TI. Buyer represents and agrees that it has all the necessary expertise to create and implement safeguards which anticipate dangerous consequences of failures, monitor failures and their consequences, lessen the likelihood of failures that might cause harm and take appropriate remedial actions. Buyer will fully indemnify TI and its representatives against any damages arising out of the use of any TI components in safety-critical applications.

In some cases, TI components may be promoted specifically to facilitate safety-related applications. With such components, TI's goal is to help enable customers to design and create their own end-product solutions that meet applicable functional safety standards and requirements. Nonetheless, such components are subject to these terms.

No TI components are authorized for use in FDA Class III (or similar life-critical medical equipment) unless authorized officers of the parties have executed a special agreement specifically governing such use.

Only those TI components which TI has specifically designated as military grade or "enhanced plastic" are designed and intended for use in military/aerospace applications or environments. Buyer acknowledges and agrees that any military or aerospace use of TI components which have **not** been so designated is solely at the Buyer's risk, and that Buyer is solely responsible for compliance with all legal and regulatory requirements in connection with such use.

TI has specifically designated certain components as meeting ISO/TS16949 requirements, mainly for automotive use. In any case of use of non-designated products, TI will not be responsible for any failure to meet ISO/TS16949.

### Products

Audio	<a href="http://www.ti.com/audio">www.ti.com/audio</a>
Amplifiers	<a href="http://amplifier.ti.com">amplifier.ti.com</a>
Data Converters	<a href="http://dataconverter.ti.com">dataconverter.ti.com</a>
DLP® Products	<a href="http://www.dlp.com">www.dlp.com</a>
DSP	<a href="http://dsp.ti.com">dsp.ti.com</a>
Clocks and Timers	<a href="http://www.ti.com/clocks">www.ti.com/clocks</a>
Interface	<a href="http://interface.ti.com">interface.ti.com</a>
Logic	<a href="http://logic.ti.com">logic.ti.com</a>
Power Mgmt	<a href="http://power.ti.com">power.ti.com</a>
Microcontrollers	<a href="http://microcontroller.ti.com">microcontroller.ti.com</a>
RFID	<a href="http://www.ti-rfid.com">www.ti-rfid.com</a>
OMAP Applications Processors	<a href="http://www.ti.com/omap">www.ti.com/omap</a>
Wireless Connectivity	<a href="http://www.ti.com/wirelessconnectivity">www.ti.com/wirelessconnectivity</a>

### Applications



Automotive and Transportation	<a href="http://www.ti.com/automotive">www.ti.com/automotive</a>
Communications and Telecom	<a href="http://www.ti.com/communications">www.ti.com/communications</a>
Computers and Peripherals	<a href="http://www.ti.com/computers">www.ti.com/computers</a>
Consumer Electronics	<a href="http://www.ti.com/consumer-apps">www.ti.com/consumer-apps</a>
Energy and Lighting	<a href="http://www.ti.com/energy">www.ti.com/energy</a>
Industrial	<a href="http://www.ti.com/industrial">www.ti.com/industrial</a>
Medical	<a href="http://www.ti.com/medical">www.ti.com/medical</a>
Security	<a href="http://www.ti.com/security">www.ti.com/security</a>
Space, Avionics and Defense	<a href="http://www.ti.com/space-avionics-defense">www.ti.com/space-avionics-defense</a>
Video and Imaging	<a href="http://www.ti.com/video">www.ti.com/video</a>

### TI E2E Community

[e2e.ti.com](http://e2e.ti.com)

## Looking for pricing, stock, or lifecycle information?

Click below to explore more details on WIN SOURCE:

-  [View LM3812M-1.0/NOPB on WIN SOURCE](#)
-  [Texas Instruments](#) Information

## Optimize Your Supply Chain with WIN SOURCE Solutions

-  Global Sourcing Solution
-  Obsolete Management
-  Cost Control Management
-  Shortage Management
-  Alternative Solution
-  Excess Inventory Management