

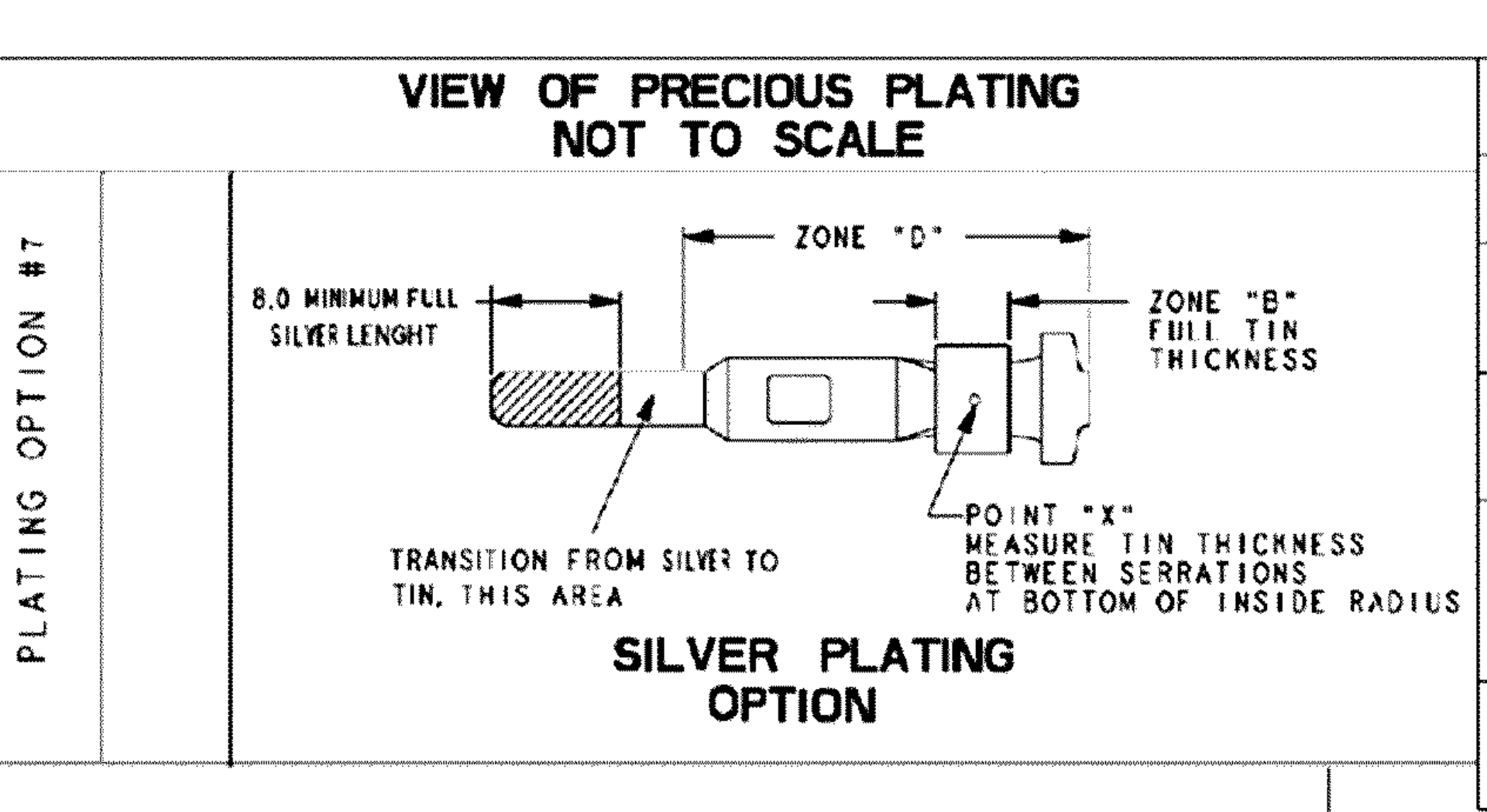


**THE DATASHEET OF
X322516MLB4SI**



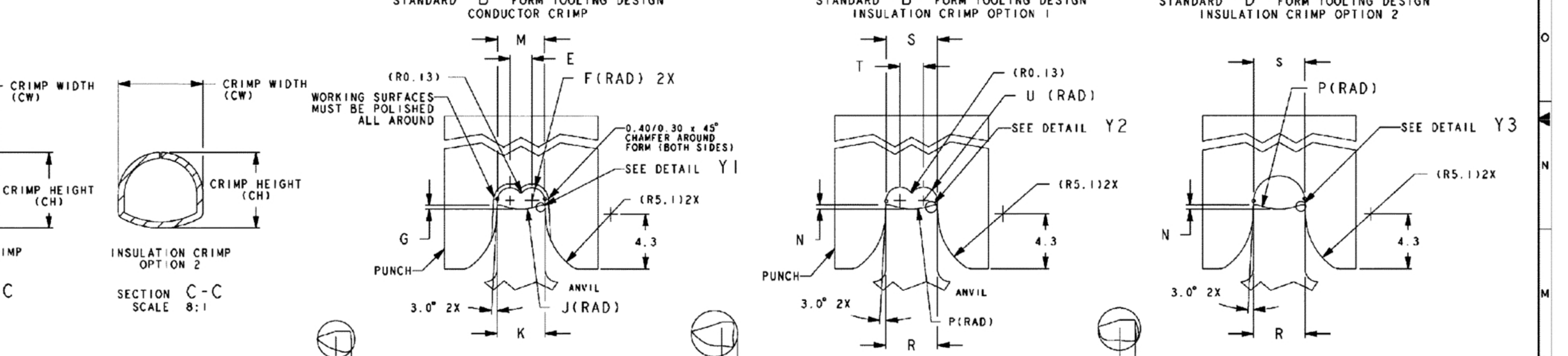
REV	DATE	BY	CHKD	DESCRIPTION
10/12	4.06.0	4.31.0		...
12	2.53.0	3.43.0		...
14/16	1.57.5	3.07.0		...
21/18/20/21	217.271.1	217.271.4		...
18/20	1.07.5	2.21.4		...
22	0.35	1.01.7		...

WIRE SIZE	WIRE TYPE	WIRE SPEC	WIRE METRIC	CONDUCTOR CRIMP HEIGHT	CONDUCTOR CRIMP HEIGHT METRIC	CONDUCTOR CRIMP WIDTH	CONDUCTOR CRIMP WIDTH METRIC	INSULATION CRIMP HEIGHT	INSULATION CRIMP HEIGHT METRIC	INSULATION CRIMP WIDTH	INSULATION CRIMP WIDTH METRIC	INSULATION CRIMP PUNCH OPTION	INSULATION CRIMP PUNCH TYPE	INSULATION CRIMP PUNCH SECT
US 22		0.35	1.40	1.30	2.05	1.95	1.95	2.60	2.60	2.60	2.60			
CS 18		0.75/1.20	1.50	1.30/1.50		4.20	4.15/4.20	4.10						
US 22		0.50	1.50	1.30	2.45	4.05	4.05	2.80						



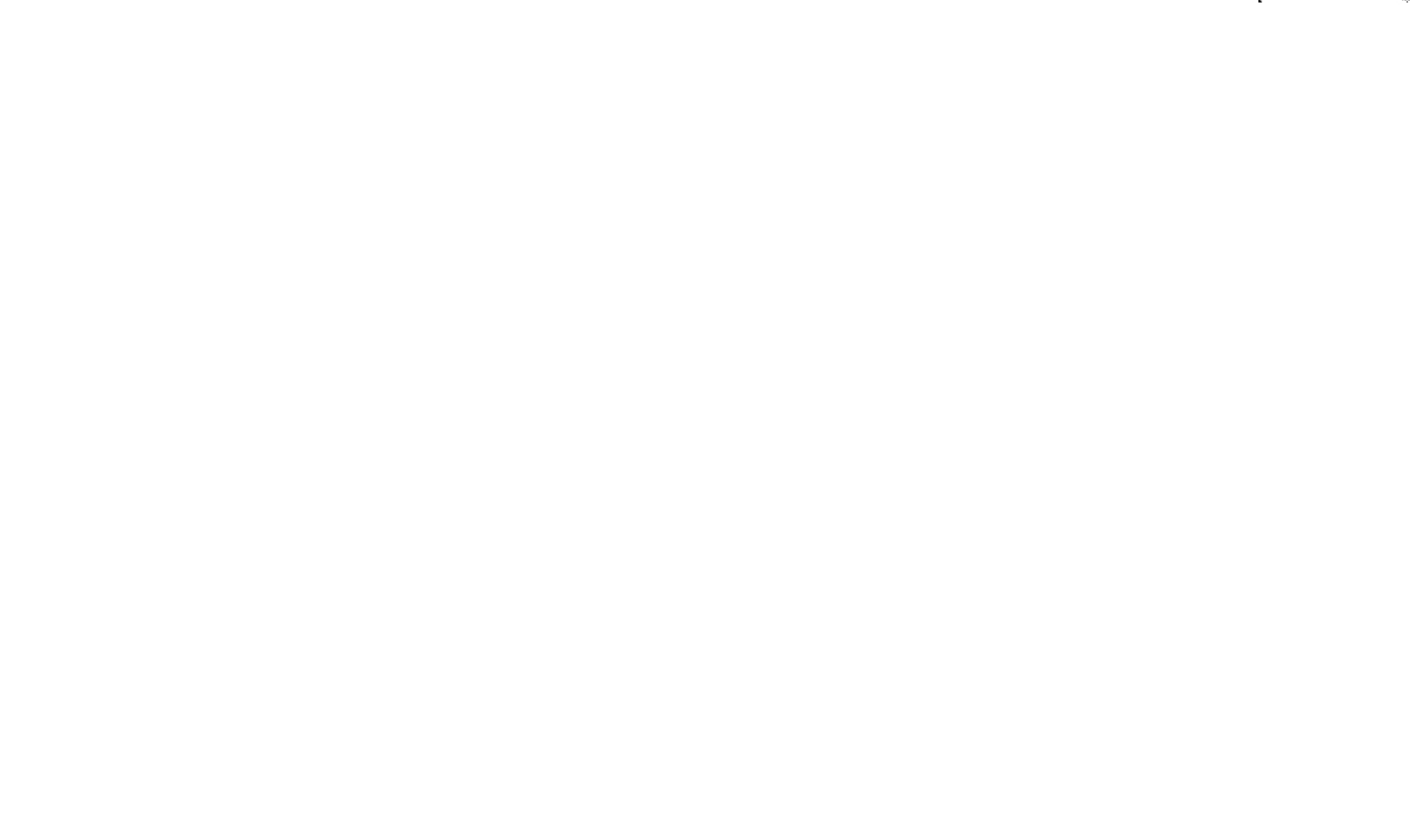
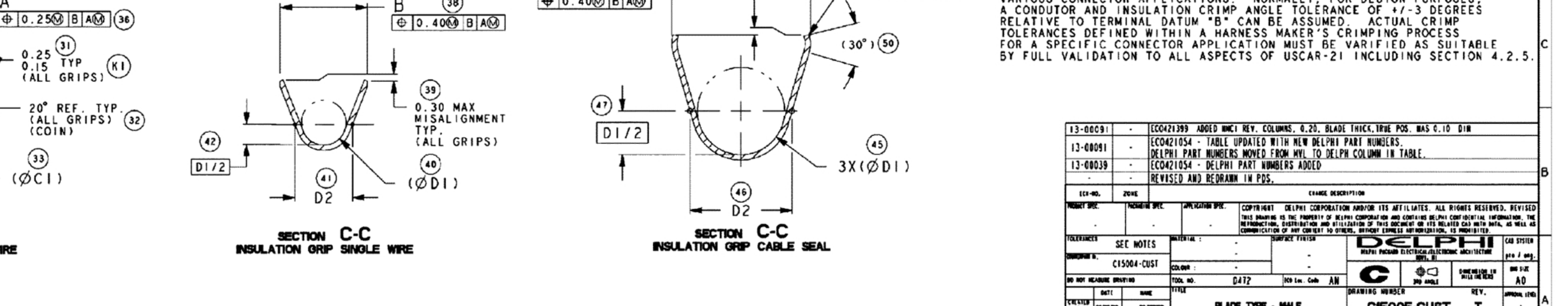
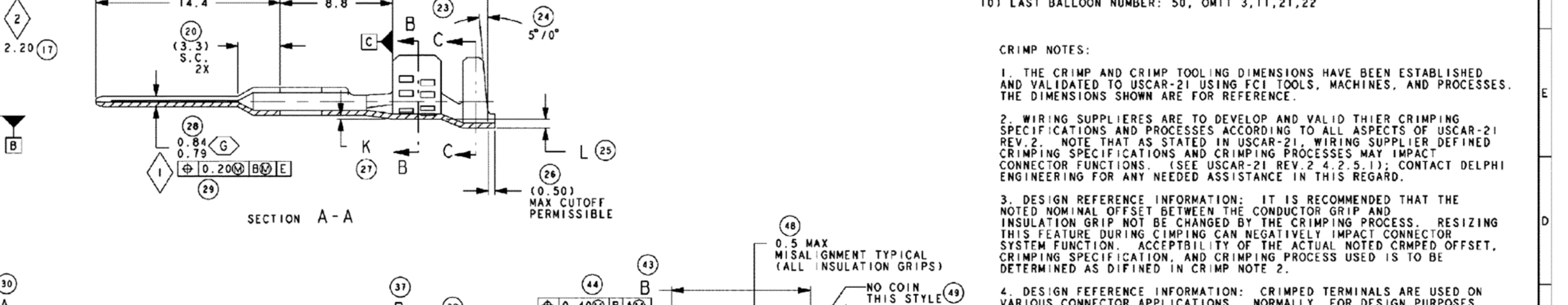
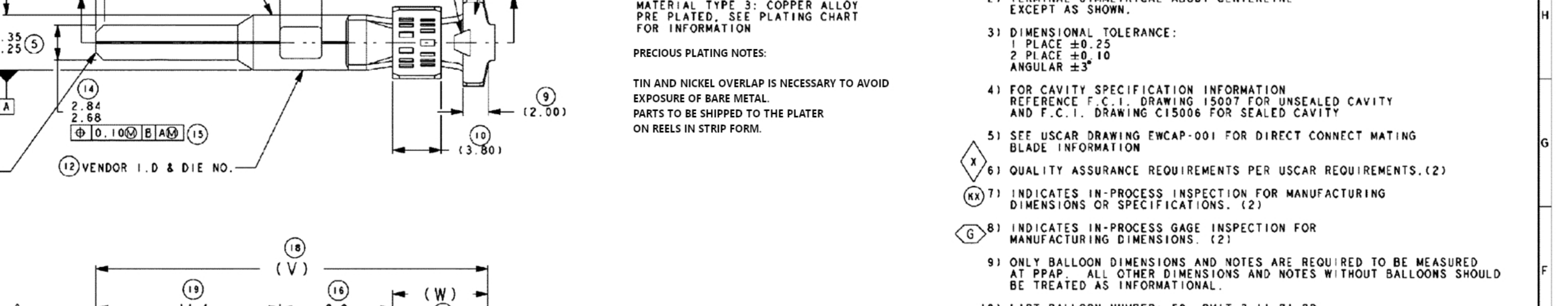
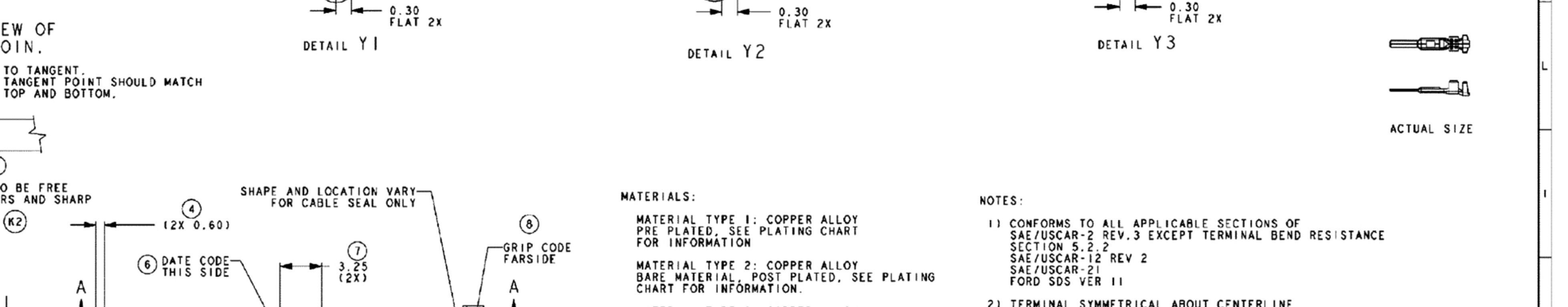
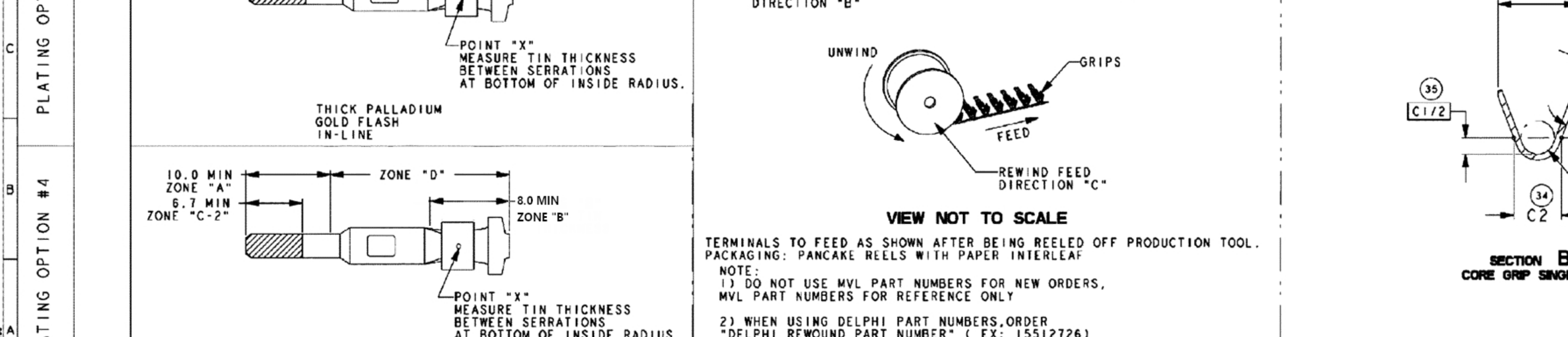
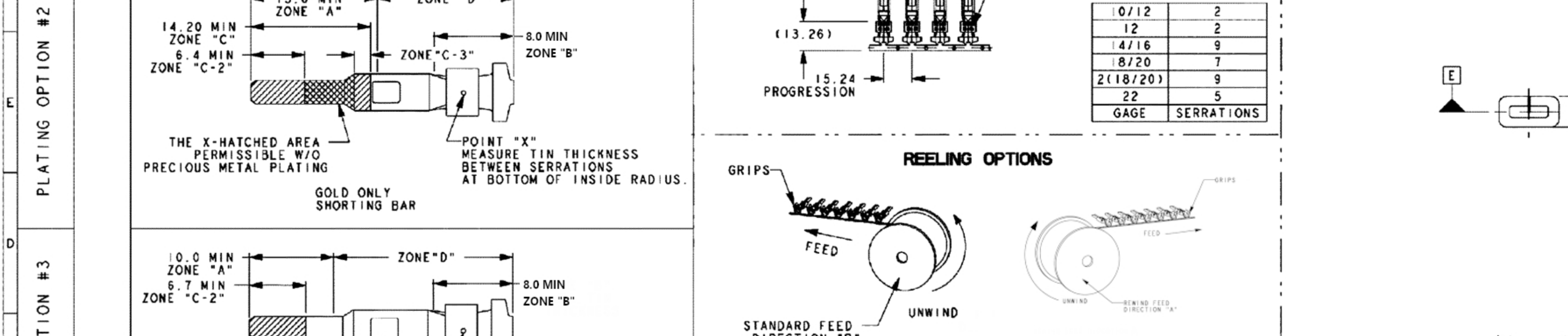
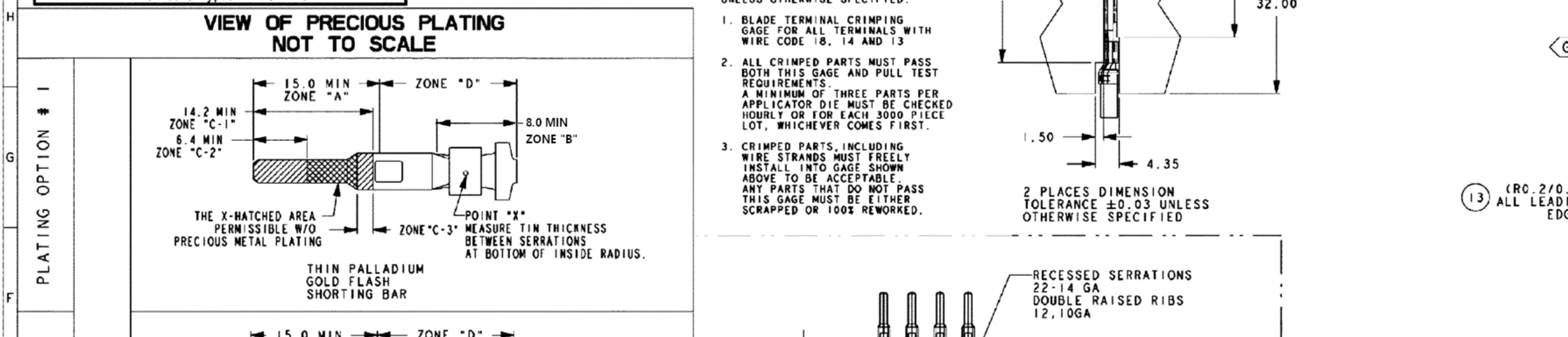
MATERIAL TYPE	PLATING OPT.	TYPE 2 OPTION #
PLATING		POST GOLD FLASH (SEE REELING OPTIONS)
ZONE "A"		ELECTRO DEPOSITED PURE SILVER, RIFLE DECORATE MET REC (NE5564710.0020.003MM)
ZONE "B"		ELECTRO MATT TIN PLATE (NE5082210.0015/0.0025MM)
ZONE "C"		...
ZONE "D"		ELECTRO MATT TIN PLATE 0.002MM MINIMUM

CRIMP TOOL INFORMATION (REF. ONLY)
STANDARD "B" FORM TOOLING DESIGN CONDUCTOR CRIMP
STANDARD "B" FORM TOOLING DESIGN INSULATION CRIMP OPTION 1
STANDARD "D" FORM TOOLING DESIGN INSULATION CRIMP OPTION 2

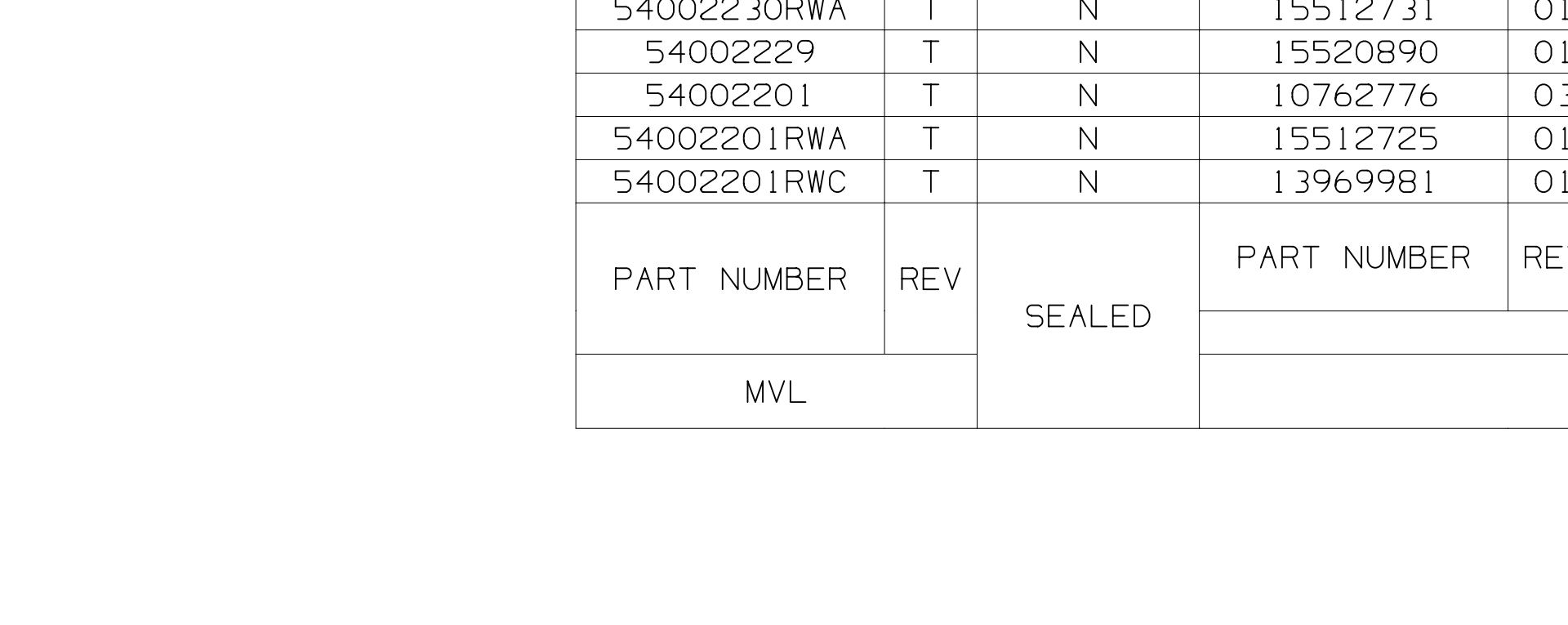
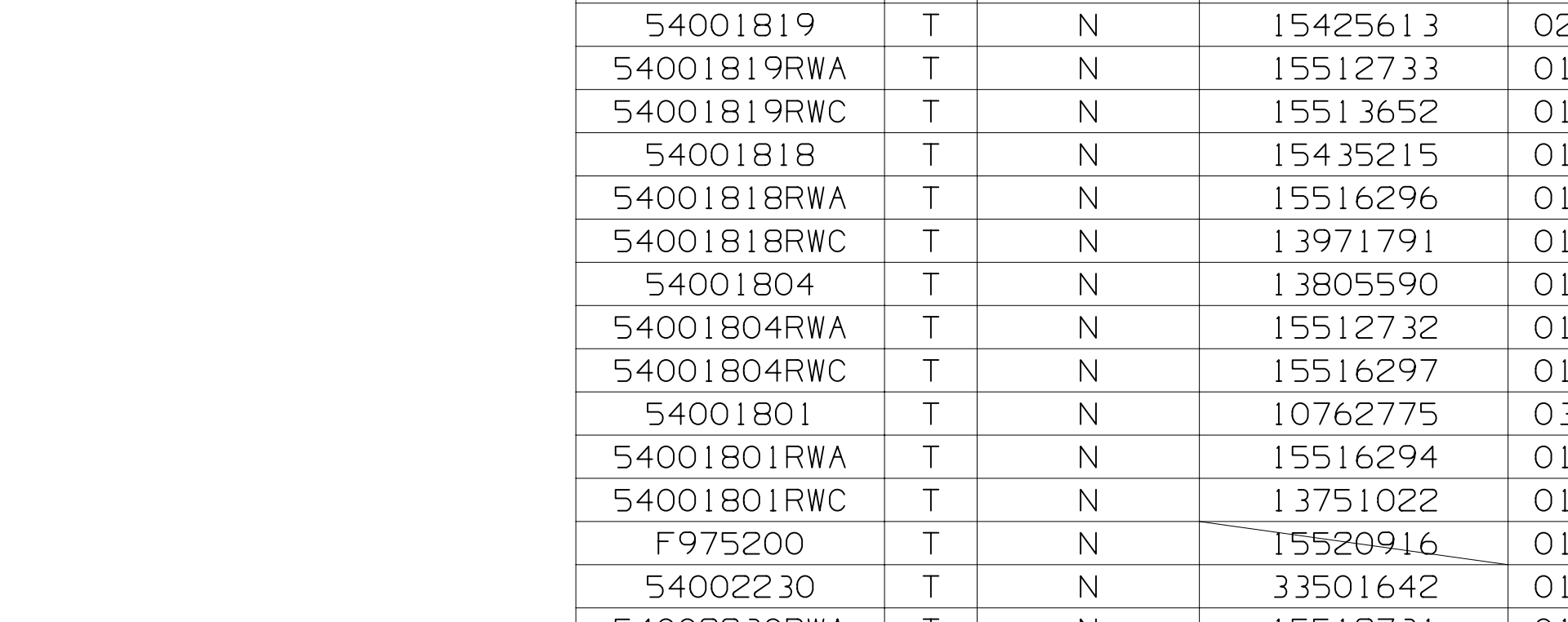
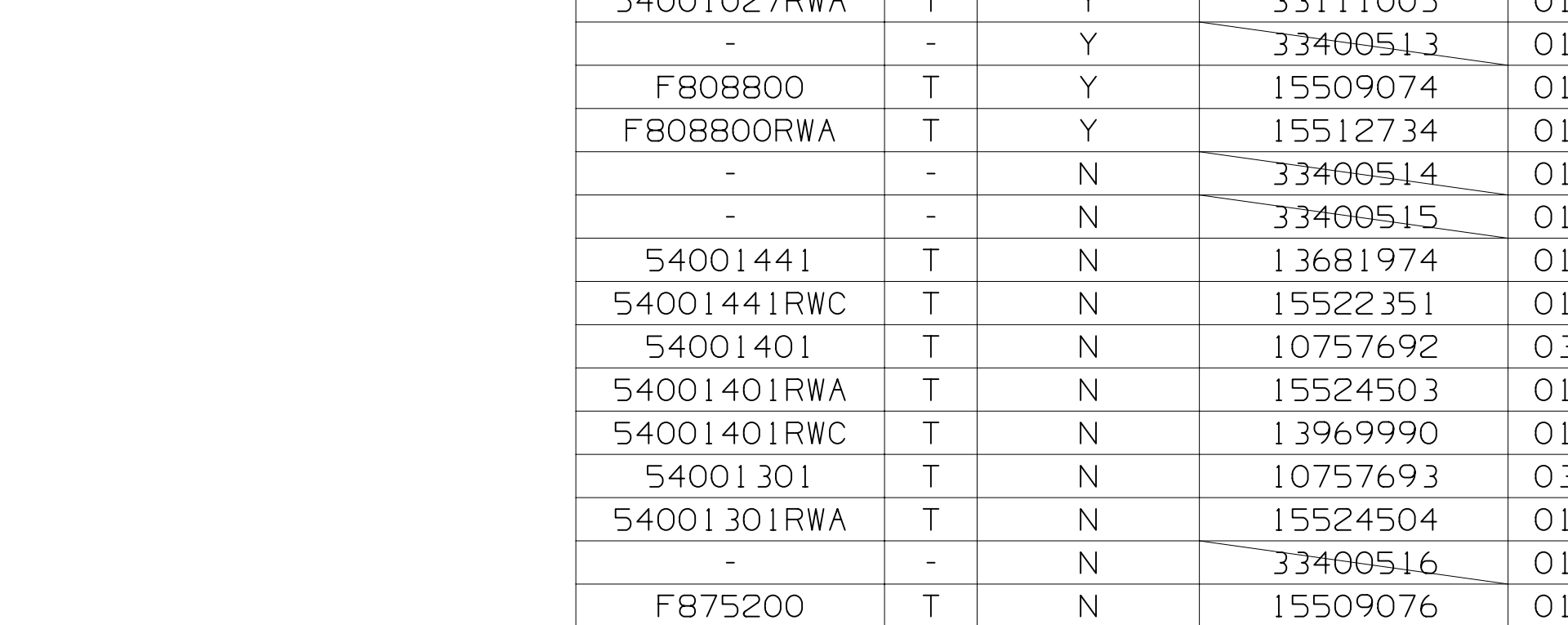


WIRE SIZE	WIRE TYPE	WIRE SPEC	WIRE METRIC	CONDUCTOR CRIMP HEIGHT	CONDUCTOR CRIMP HEIGHT METRIC	CONDUCTOR CRIMP WIDTH	CONDUCTOR CRIMP WIDTH METRIC	INSULATION CRIMP HEIGHT	INSULATION CRIMP HEIGHT METRIC	INSULATION CRIMP WIDTH	INSULATION CRIMP WIDTH METRIC	INSULATION CRIMP PUNCH OPTION	INSULATION CRIMP PUNCH TYPE	INSULATION CRIMP PUNCH SECT
US 22		0.35	1.40	1.30	2.05	1.95	1.95	2.60	2.60	2.60	2.60			

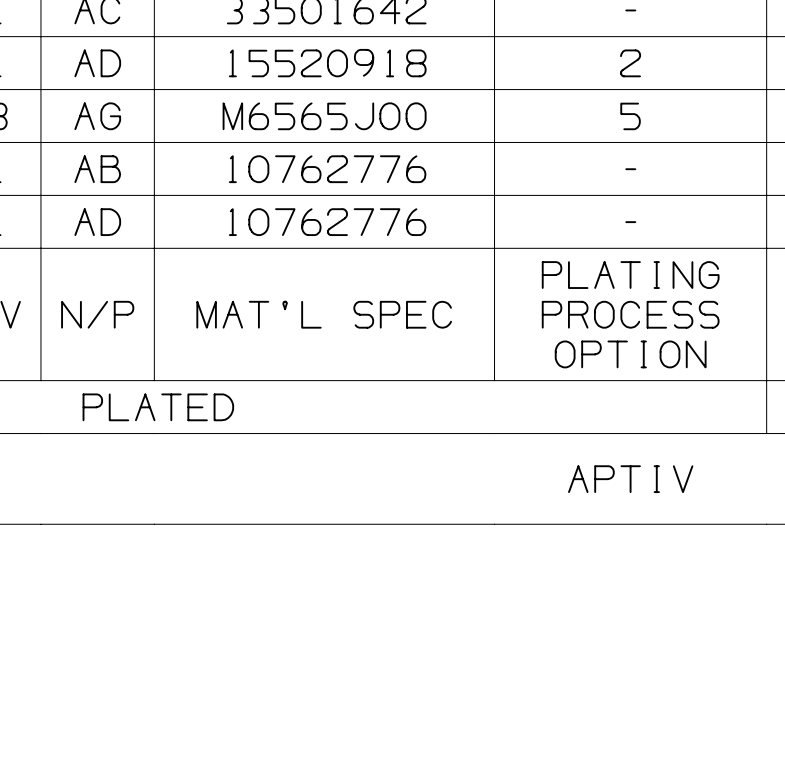
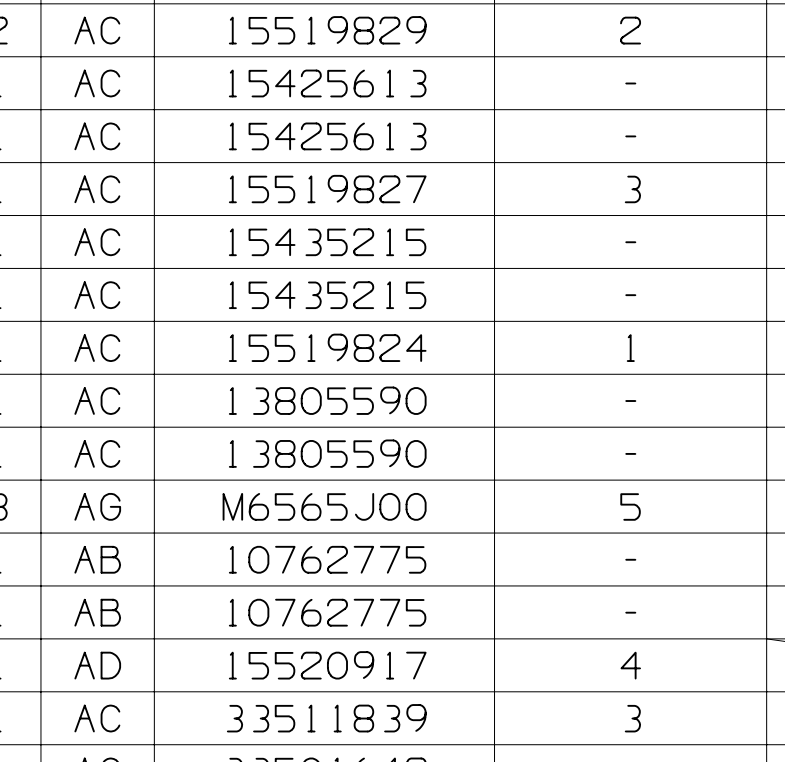
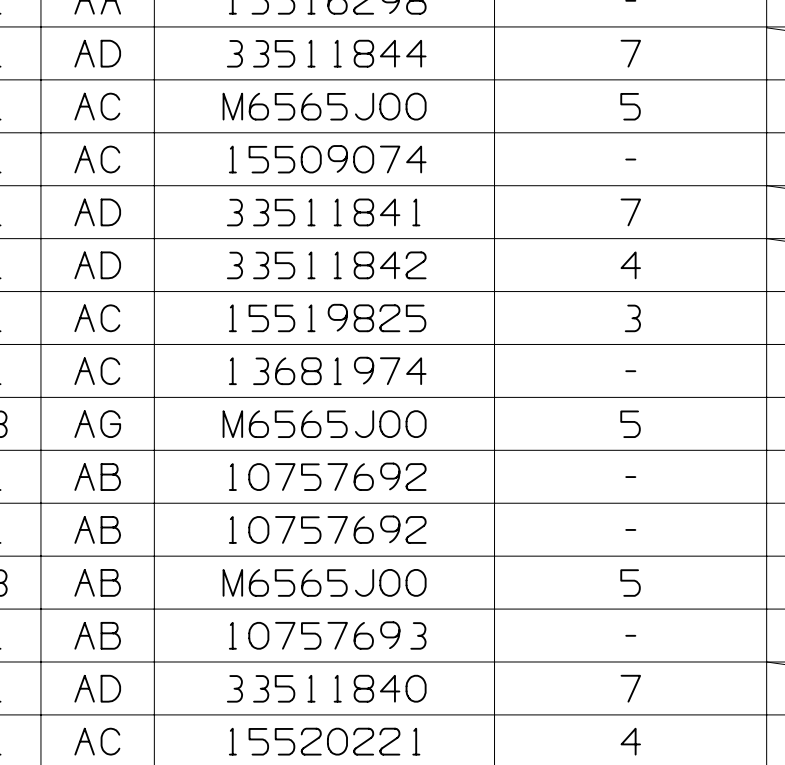
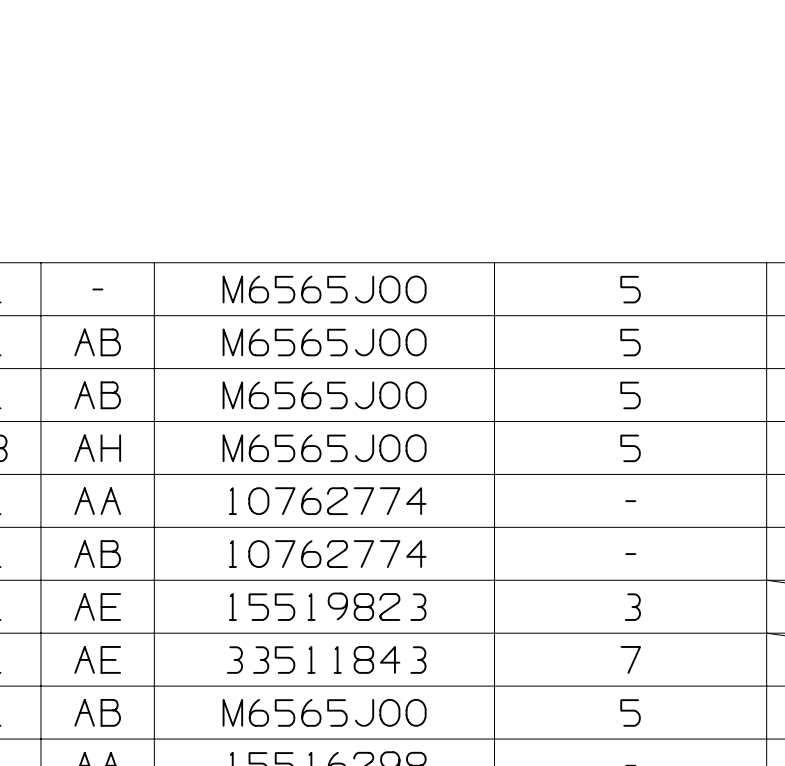
GAUGE REQUIREMENTS
SECTION THRU CORE WIRE
SECTION THRU INSULATION CRIMP
SECTION THRU CABLE SEAL



MATERIAL TYPE	PLATING OPT.	TYPE 2 OPTION #
PLATING		POST GOLD FLASH (SEE REELING OPTIONS)
ZONE "A"		ELECTRO DEPOSITED PURE SILVER, RIFLE DECORATE MET REC (NE5564710.0020.003MM)
ZONE "B"		ELECTRO MATT TIN PLATE (NE5082210.0015/0.0025MM)
ZONE "C"		...
ZONE "D"		ELECTRO MATT TIN PLATE 0.002MM MINIMUM



MATERIAL TYPE	PLATING OPT.	TYPE 2 OPTION #
PLATING		POST GOLD FLASH (SEE REELING OPTIONS)
ZONE "A"		ELECTRO DEPOSITED PURE SILVER, RIFLE DECORATE MET REC (NE5564710.0020.003MM)
ZONE "B"		ELECTRO MATT TIN PLATE (NE5082210.0015/0.0025MM)
ZONE "C"		...
ZONE "D"		ELECTRO MATT TIN PLATE 0.002MM MINIMUM



WIRE SIZE	WIRE TYPE	WIRE SPEC	WIRE METRIC	CONDUCTOR CRIMP HEIGHT	CONDUCTOR CRIMP HEIGHT METRIC	CONDUCTOR CRIMP WIDTH	CONDUCTOR CRIMP WIDTH METRIC	INSULATION CRIMP HEIGHT	INSULATION CRIMP HEIGHT METRIC	INSULATION CRIMP WIDTH	INSULATION CRIMP WIDTH METRIC	INSULATION CRIMP PUNCH OPTION	INSULATION CRIMP PUNCH TYPE	INSULATION CRIMP PUNCH SECT
US 22		0.35	1.40	1.30	2.05	1.95	1.95	2.60	2.60	2.60	2.60			

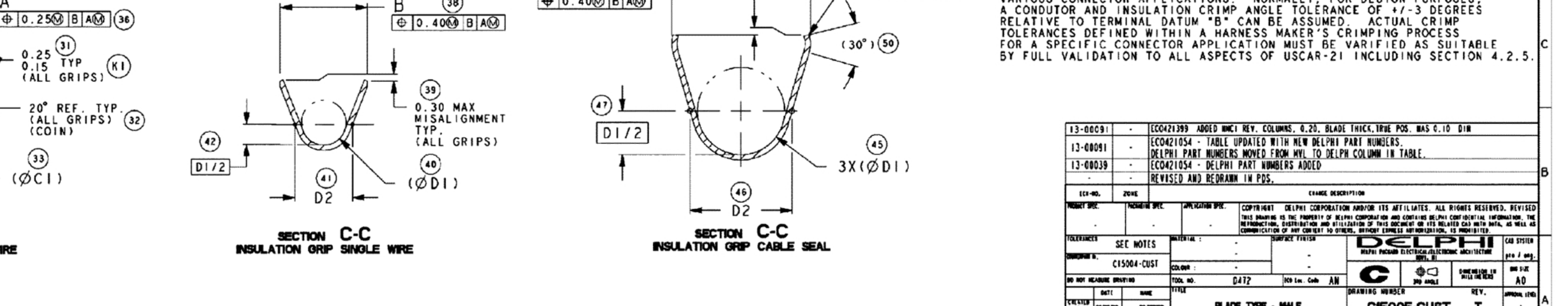
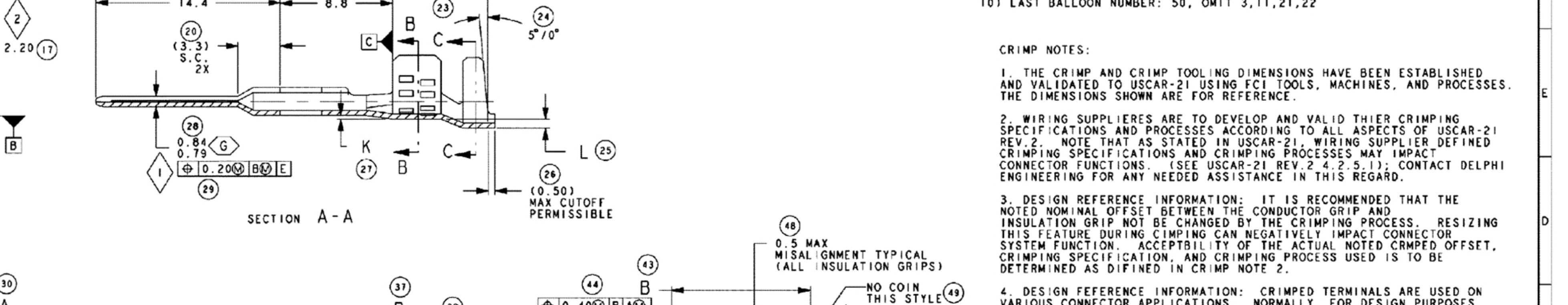
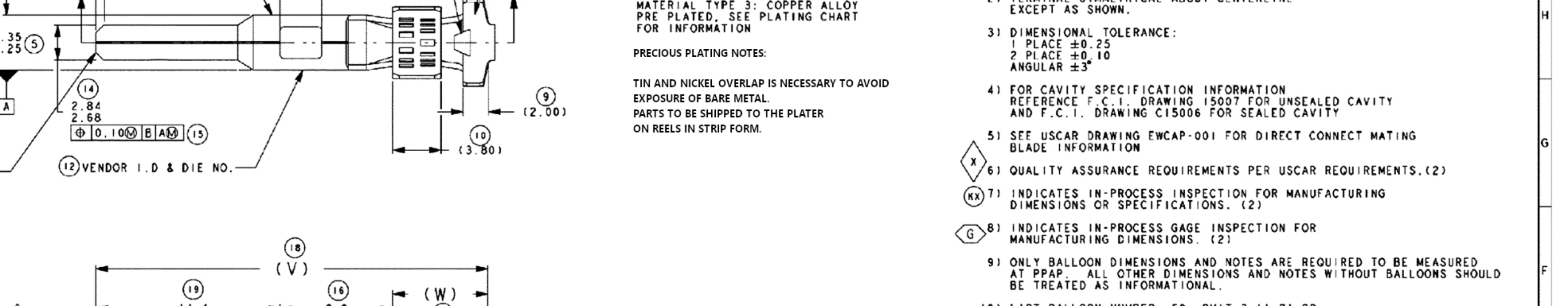
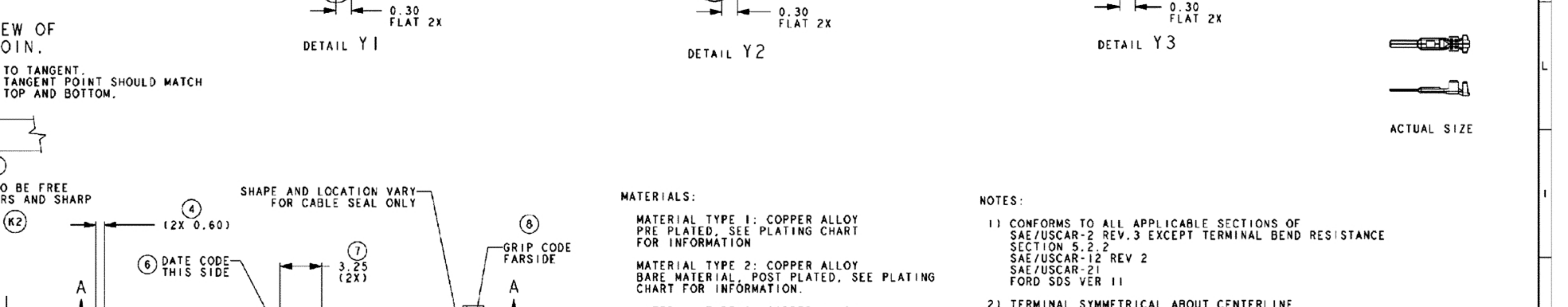
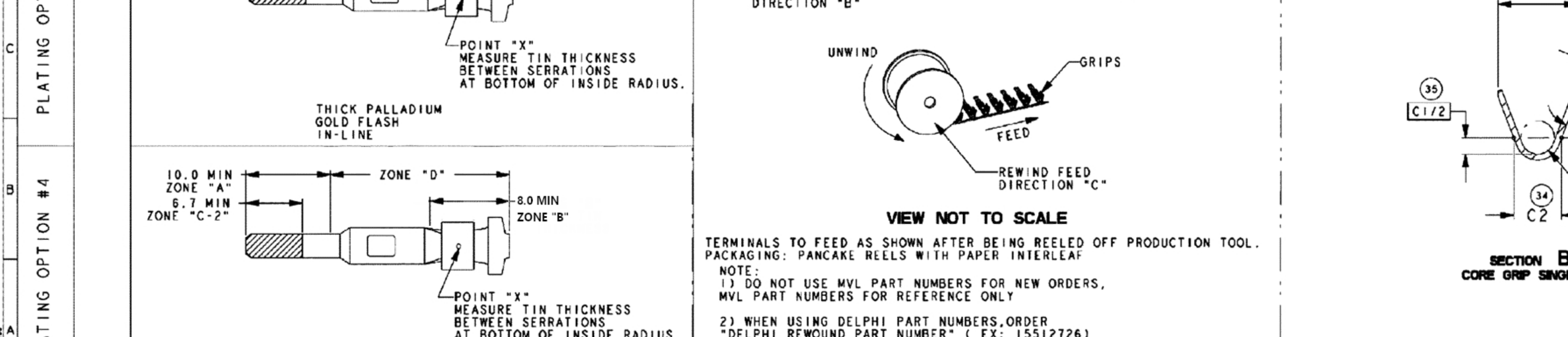
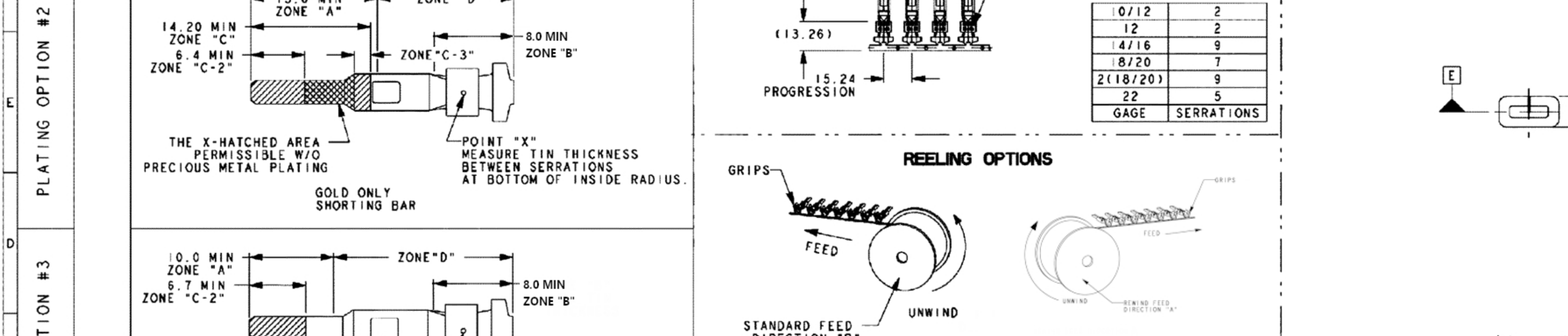
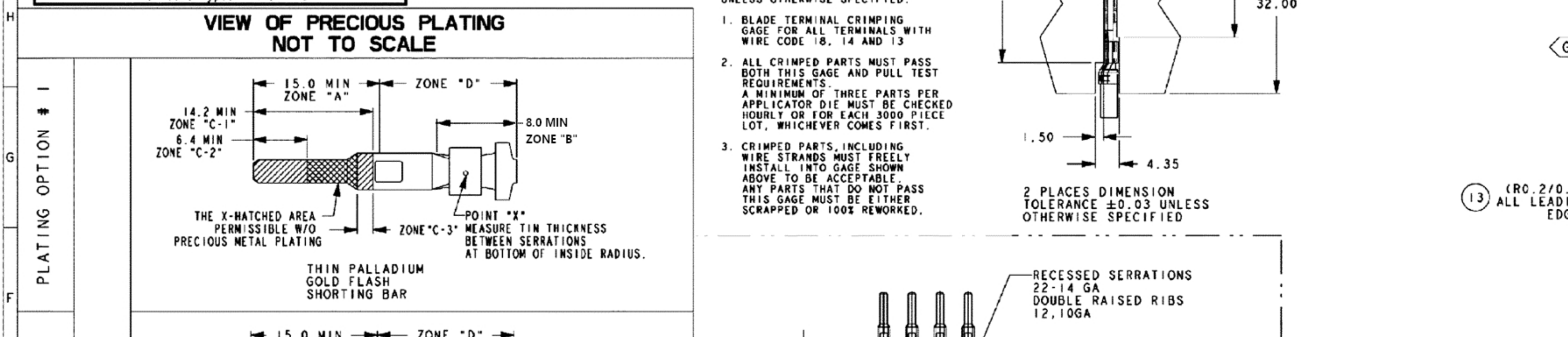
CRIMP TOOL INFORMATION (REF. ONLY)
STANDARD "B" FORM TOOLING DESIGN CONDUCTOR CRIMP
STANDARD "B" FORM TOOLING DESIGN INSULATION CRIMP OPTION 1
STANDARD "D" FORM TOOLING DESIGN INSULATION CRIMP OPTION 2



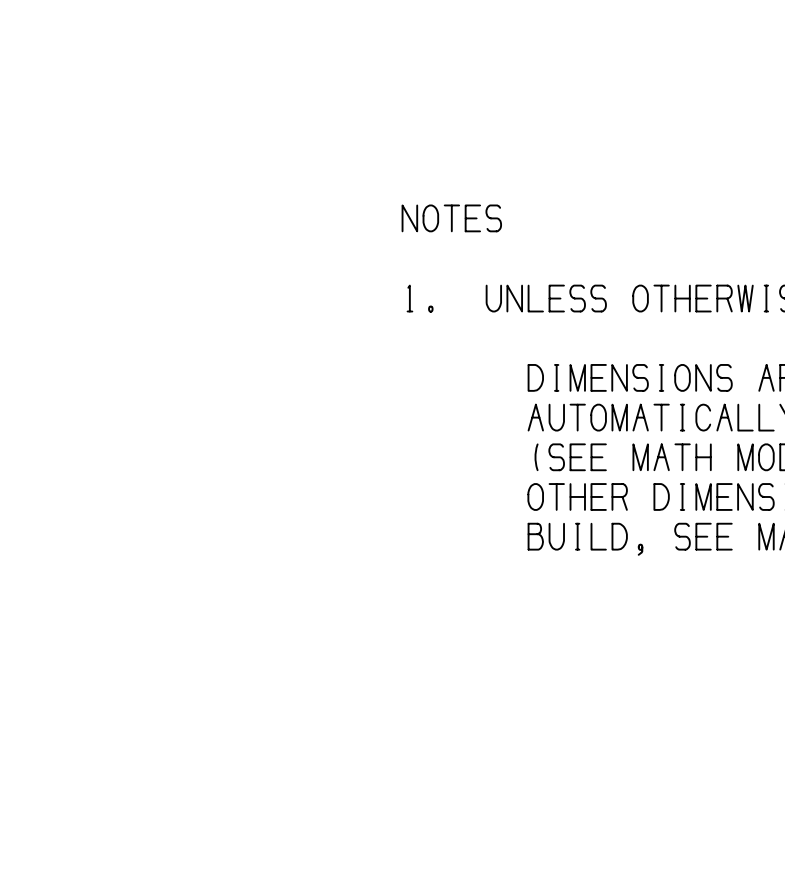
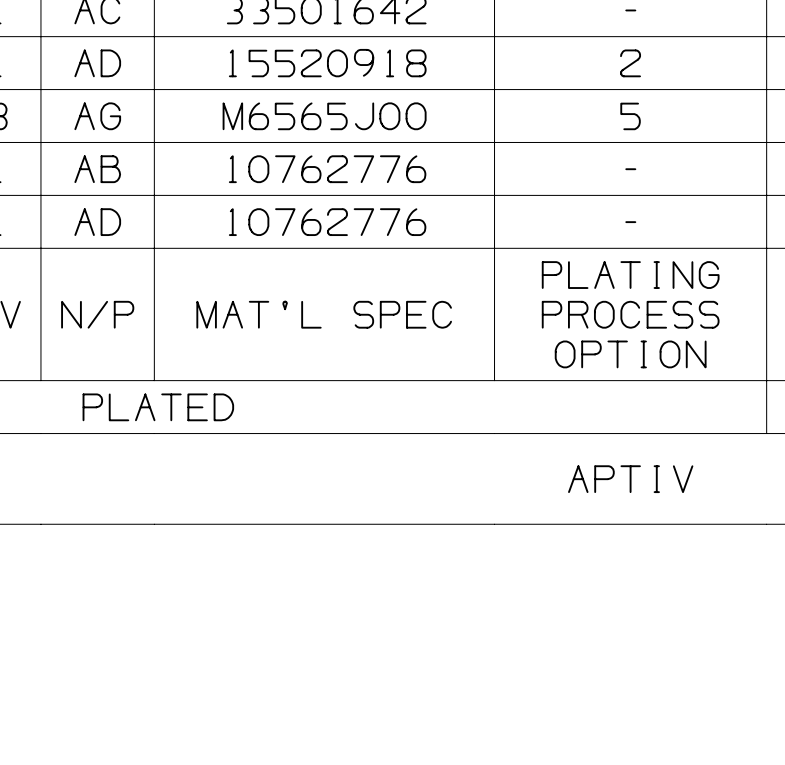
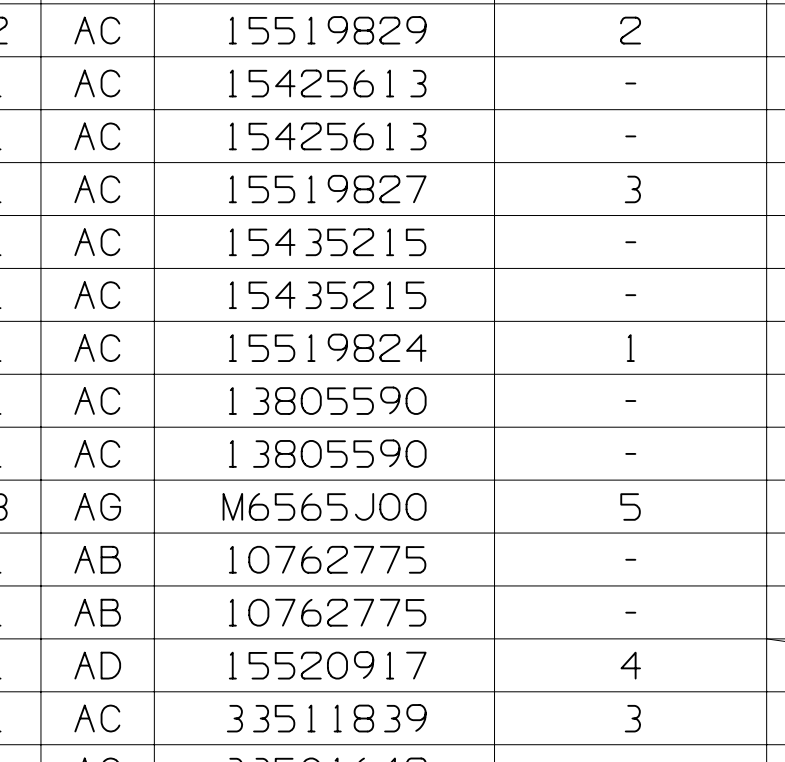
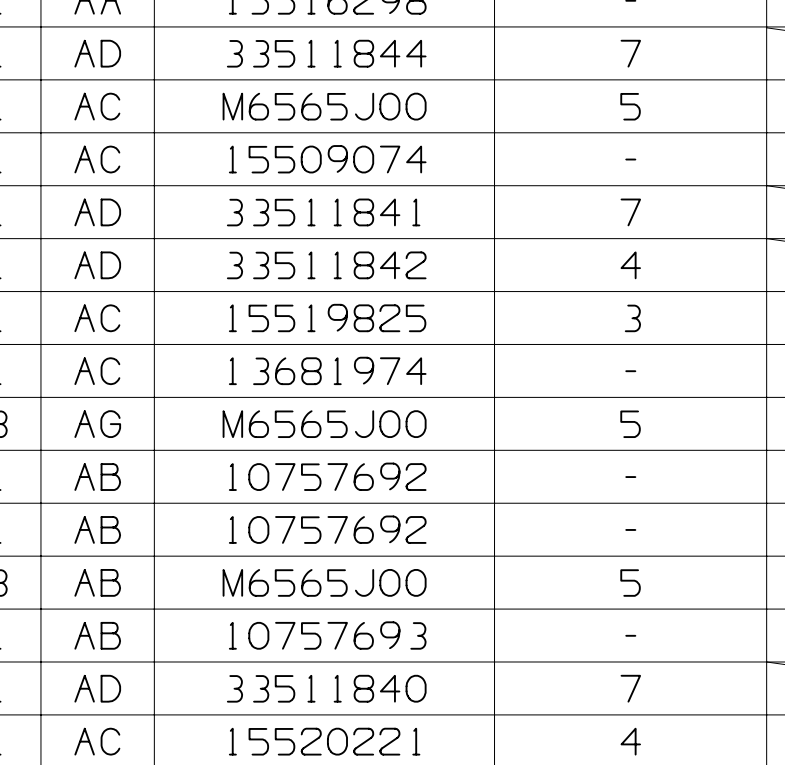
MATERIAL TYPE	PLATING OPT.	TYPE 2 OPTION #
PLATING		POST GOLD FLASH (SEE REELING OPTIONS)
ZONE "A"		ELECTRO DEPOSITED PURE SILVER, RIFLE DECORATE MET REC (NE5564710.0020.003MM)
ZONE "B"		ELECTRO MATT TIN PLATE (NE5082210.0015/0.0025MM)
ZONE "C"		...
ZONE "D"		ELECTRO MATT TIN PLATE 0.002MM MINIMUM

DWG STATUS	ZONE	REVISION HISTORY	AUTH	DR	APPROV
05PE13 R 01	-	ALL PARTS - REVISION AND REDAWN IN PSD SYSTEM, ADDED DELPHI PART NUMBERS AND UPDATED MVL CHART	421054	JED	JAA/DAB
15PE13 R 02	-	ALL PARTS - ADDED MNCI COLUMN ON MVL CHART AND BLADE THICK TRUE POSITION WAS 0.10	421399	JED	JAA/DAB
14M13 R 03	-	33400512, 15512730, 10762774 & 15519823 - D1M 1.4 WAS 1.08; ALL PARTS - UPDATED MVL PASTE UP DWS TO REV LEVEL. 1.389990, 15524903, 33400514-15 & 3351841-42 - ORIGINAL PEAR AND ADDED DELPHI FORMAT & CHMTE. 33518929-44 - RELEASED	421737	JED	JAA/DAB
100C13 R 04	-	33111005 - RELEASED	423999	CGD	JAA/DAB
05N013 R 05	-	15549841 - RELEASED	425941	CGD	JAA/DAB
18M14 R 06	-	ALL PARTS - INSPECTION SYMBOL BALLOON #31 WAS 0.34/2 TYP; 10757692, 13969900, 15524903, 33400514-15 & 3351841-42 - UPDATED "WIRE SIZE" & INSULATION DIAMETER - INFO ON CHART FOR 14/16 GAGE	425921	CGD	JAA/BC
24L17 R 07	-	13969981, 15520991, 15520916-17, 15519823, 15512730, 33400512-16, 3351841-42 - UPDATED PART AVAILABILITY	437251	BDH	JWA/JOG
09L18 R 08	-	33400512-14, 33400516, 3351840-41 & 3351843-44 - ADDED "PLATING OPTION #7" VIEW	440242	DAV	JAA/JOG
04DE18 R 09	-	35270385, 86 - RELEASED; 15520974, 15522734 - WIRE SIZE WAS 2.5	441331	AHG	AH/LES
05PE19 R 10	-	35270385 & 35270386 - CORRECTED PART AVAILABILITY IN PASTE UP	442276	JOO	JAA/JIE
05AP19 R 11	-	35270385 - UPDATED MVL PASTE UP DWS, "L" WAS 1.4 & ADDED "M" VALUE; 35270386 - UPDATED MVL PASTE UP DWS, "WIRE SIZE METRIC" WAS 0.5-1, "C1" WAS 1, "C2" WAS 2-3, "L" WAS 1.1 & ADDED "M" VALUE; 35318916 - RELEASED	442505	ODL	JAA/JIE
22AP19 R 12	-	13969981 - UPDATED PART AVAILABILITY	442649	JED	JOO/DMS
060C20 R 13	-	13681974, 13895590, 13971791, 15426613, 15426614, 15509916, 15512730, 15513859, 15516276-77, 15520991, 15520916, 15522631, 33400515 & 33501642 - ADDED PRECIOUS PLATING NOTE AND UPDATED REWIND FEED "A" VIEW ON REELING OPTIONS, PLATING OPTION CHART & VIEWS ON PASTE UP DWS; 15520890 - UPDATED PART AVAILABILITY	452649	LVD	CGD/JIE

GAUGE REQUIREMENTS
SECTION THRU CORE WIRE
SECTION THRU INSULATION CRIMP
SECTION THRU CABLE SEAL



MATERIAL TYPE	PLATING OPT.	TYPE 2 OPTION #
PLATING		POST GOLD FLASH (SEE REELING OPTIONS)
ZONE "A"		ELECTRO DEPOSITED PURE SILVER, RIFLE DECORATE MET REC (NE5564710.0020.003MM)
ZONE "B"		ELECTRO MATT TIN PLATE (NE5082210.0015/0.0025MM)
ZONE "C"		...
ZONE "D"		ELECTRO MATT TIN PLATE 0.002MM MINIMUM



PLATING OPTION #	PLATING OPT.	TYPE 2 OPTION #
1		POST GOLD FLASH (SEE REELING OPTIONS)
2		ELECTRO DEPOSITED PURE SILVER, RIFLE DECORATE MET REC (NE5564710.0020.003MM)
3		ELECTRO MATT TIN PLATE (NE5082210.0015/0.0025MM)
4		...
5		ELECTRO MATT TIN PLATE 0.002MM MINIMUM

REV	SEALING	PART NUMBER	REV N/P	MAT'L SPEC	PLATING PROCESS OPTION	PART NUMBER	REV N/P	MAT'L SPEC
1	Y	753189416	01	M6565J00	5			
2	Y	35270385	01	M6565J00	5			
3	Y	35270386	01	M6565J00	5			
4	N	10762774	03	M6565J00	5			
5	N	15549841	01	M6565J00	5			
6	N	15512730	01	M6565J00	3	15519823	01	AD
7	N	33400512	01	M6565J00	7	3351843	01	AC
8	N	15516298	01	M6565J00	5			
9	N	33111005	01	M6565J00	5			
10	N	33400513	01	M6565J00	7	3351844	01	AB
11	N	15509074	01	M6565J00	5			
12	N	15512734	01	M6565J00	5			
13	N	33400514	01	M6565J00	7	3351841	01	AC
14	N	33400515	01	M6565J00	4	3351842	01	AB
15	N	13681974	01	M6565J00	3	15519825	01	AB
16	N	10757692	03	M6565J00	5			
17	N	15524503	01	M6565J00	5			
18	N	13969900	01	M6565J00	5			
19	N	10757693	03	M6565J00	5			
20	N	15524504	01	M6565J00	5			
21	N	33400516	01	M6565J00	7	3351840	01	AC
22	N	15509076	01	M6565J00	4			
23	N	15425613	02	M6565J00	2	15519829	01	AB
24	N	15512733	01	M6565J00	3			
25	N	15513652	01	M6565J00	3			
26	N	15435215	01	M6565J00	3	15519827	01	AB
27	N	15516296	01	M6565J00	3			
28	N	13971791	01	M6565J00	3			
29	N	13969900	01	M6565J00	1	15519824	01	AB
30	N	15512732	01	M6565J00	1			
31	N	15516297	01	M6565J00	1			
32	N	10762775	03	M6565J00	5			
33	N	15516294	01	M6565J00	5			
34	N	13751022	01	M6565J00	5			
35	N	15520917	01	M6565J00	4	15520917	01	AC
36	N	33501642	01	M6565J00</				

Looking for pricing, stock, or lifecycle information?

Click below to explore more details on WIN SOURCE:

- ⊖ [View X322516MLB4SI on WIN SOURCE](#)
- ⊖ [SHENZHEN YANGXING TECHNOLOGY CO., LTD. Information](#)

Optimize Your Supply Chain with WIN SOURCE Solutions

- ✓ Global Sourcing Solution
- ✓ Obsolete Management
- ✓ Cost Control Management
- ✓ Shortage Management
- ✓ Alternative Solution
- ✓ Excess Inventory Management