



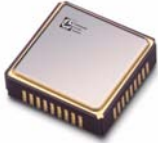
**THE DATASHEET OF
M2004-02-622.0800**





GENERAL DESCRIPTION

The M2004 variants -02 and -12 are VCISO (Voltage Controlled SAW Oscillator) based clock generator PLLs designed for clock frequency translation and jitter attenuation in a high-speed data communications system. The clock multiplication ratio and output divider ratio are pin selectable.



External loop components allow the tailoring of PLL loop response. The M2004-12 adds Hitless Switching with Phase Build-out (HS/PBO) to ensure that reference clock reselection does not disrupt the output clock.

Also read about device variants -22, -32, -42, and -52 in the M2004-x2 Preliminary Information sheet.

PIN ASSIGNMENT (9 x 9 mm SMT)

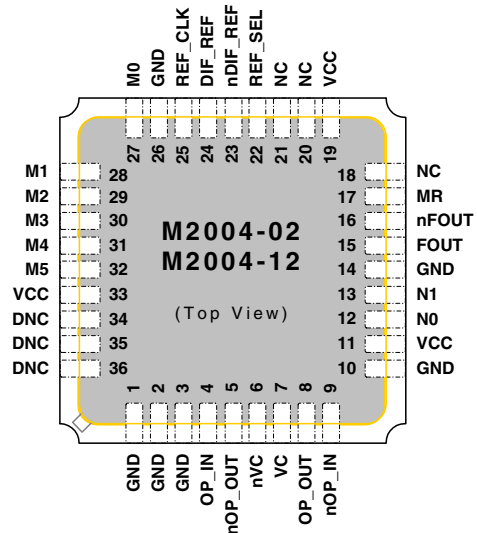


Figure 1: Pin Assignment

FEATURES

- ◆ Ideal for OC-48/192 data clock
- ◆ Integrated SAW (surface acoustic wave) delay line
- ◆ VCISO frequency from 300 to 700MHz (Specify VCISO center frequency at time of order)
- ◆ Low phase jitter of < 0.5ps rms, typical (12kHz to 20MHz or 50kHz to 80MHz)
- ◆ Pin-selectable configuration
- ◆ The M2004-12 adds Hitless Switching with Phase Build-out (HS/PBO) to ensure SONET/SDH MTIE and TDEV compliance during reference clock reselection
- ◆ Reference clock inputs support differential LVDS, LVPECL, as well as single-ended LVCMOS, LVTTL
- ◆ Industrial temperature available
- ◆ Single 3.3V power supply
- ◆ Small 9 x 9 mm SMT (surface mount) package

Example Input / Output Frequency Combinations

Input Clock (MHz)	VCISO ¹ Freq (MHz)	Output Freq (MHz)	Application
19.44	622.08	77.76	OC-12 / 48 / 192
38.80		155.52	
77.76		311.04	
155.52		622.08	
25.00	625.00	156.25	Gigabit Ethernet

Table 1: Example Input / Output Frequency Combinations

Note 1: Specify VCISO center frequency at time of order

SIMPLIFIED BLOCK DIAGRAM

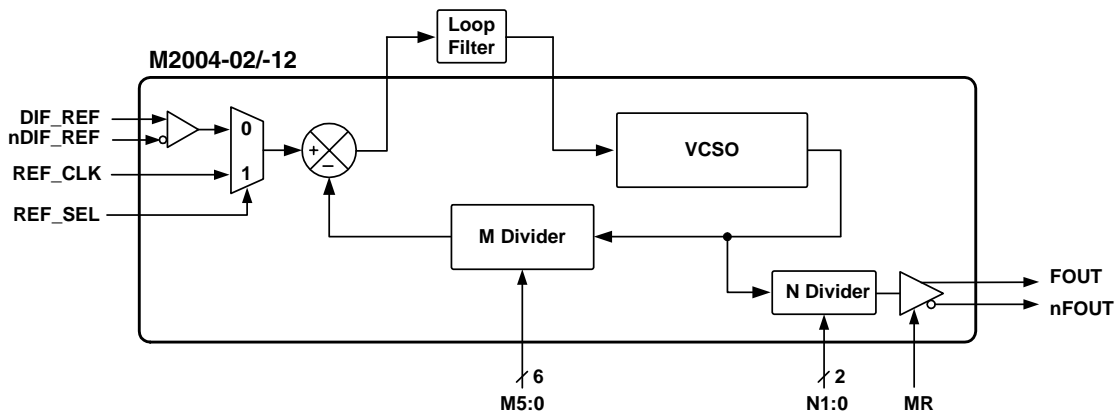


Figure 2: Simplified Block Diagram



PIN DESCRIPTIONS

Number	Name	I/O	Configuration	Description
1, 2, 3, 10, 14, 26	GND	Ground		Power supply ground connections.
4 9	OP_IN nOP_IN	Input		External loop filter connections. See Figure 4, External Loop Filter, on pg. 5.
5 8	nOP_OUT OP_OUT	Output		
6 7	nVC VC	Input		
11, 19, 33	VCC	Power		Power supply connection, connect to +3.3V.
12 13	N0 N1	Input	Internal pull-down resistor ¹	N divider (output divider) inputs N1:N0. LVCMOS/LVTTL. See Table 5, N Divider Pin Selection, on pg. 3.
15 16	FOUT nFOUT	Output	No internal terminator	Clock output pair. Differential LVPECL.
17	MR	Input	Internal pull-down resistor ¹	Reset: Logic 1 resets M and N dividers and forces FOUT to LOW and nFOUT to HIGH. Logic 0 enables the outputs. LVCMOS/LVTTL.
18 20 21	NC NC NC			No connection.
22	REF_SEL	Input	Internal pull-down resistor ¹	Reference clock input selection. LVCMOS/LVTTL. See Table 3, Reference Clock Input Selection, on pg. 3. For the M2004-12, REF_SEL triggers Hitless Switching (HS/PBO) when toggled.
23 24	nDIF_REF DIF_REF	Input	Internal pull-UP resistor ¹ Internal pull-down resistor ¹	Reference clock input pair. Differential LVPECL or LVDS.
25	REF_CLK	Input	Internal pull-down resistor ¹	Reference clock input. LVCMOS/LVTTL.
27 28 29 30 31	M0 M1 M2 M3 M4	Input	Internal pull-down resistor ¹	M divider (feedback divider) inputs M5:M0. See Table 4, M Divider Pin Selection, on pg. 3.
32	M5		Internal pull-UP resistor ¹	
34, 35, 36	DNC			Do Not Connect.

Table 2: Pin Descriptions

Note 1: For typical values of internal pull-down and pull-up resistors, see **DC Characteristics** on pg. 6.



DETAILED BLOCK DIAGRAM

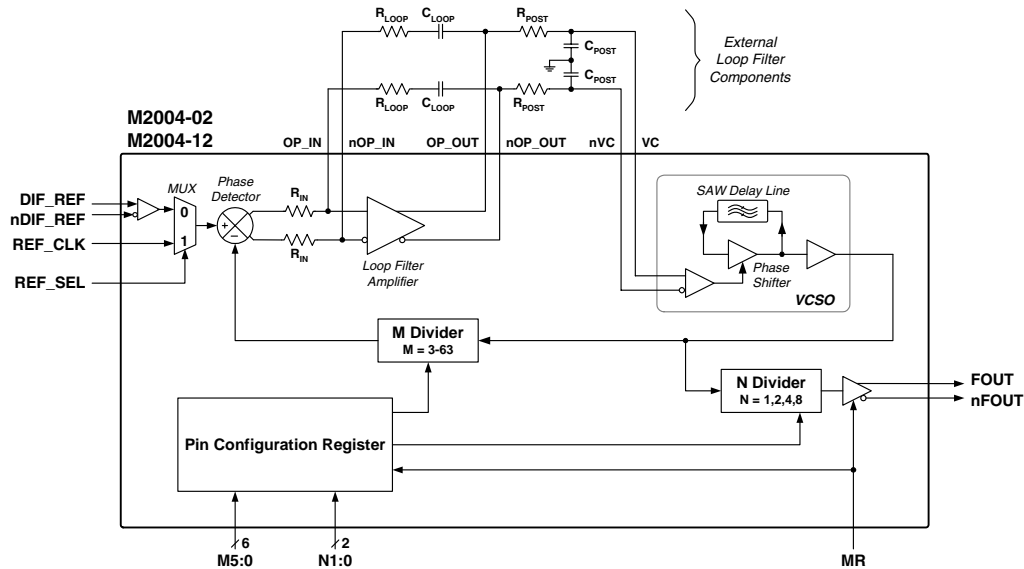


Figure 3: Detailed Block Diagram

PLL DIVIDER SELECTION TABLES

Reference Clock Input Selection

REF_SEL Pin Setting (Pin 22)	Reference Input Selection
0	DIF_REF, nDIF_REF
1	REF_CLK

Table 3: Reference Clock Input Selection

N Divider Pin Selection

N1:0 Settings (Pin 13 and 12)		N Divider Value	Sample Output Frequency (MHz) ¹ (FOUT, nFOUT)
N1	N0		
0	0	1	622.08
0	1	2	311.04
1	0	4	155.52
1	1	8	77.76

Table 5: N Divider Pin Selection

Note 1: $F_{VCSO} = 622.08\text{MHz}$ (e.g., M2004-02-622.0800)

M Divider Pin Selection

M5:0 Pin Settings (Pins 32 - 27)	Definition	Sample Input Clock Freq (MHz)	
M5 - M0		$F_{VCSO=}$ 622.08 ¹	$F_{VCSO=}$ 625.00 ²
5 ³ 4 3 2 1 0	Feedback Divider Value "M"		
0 0 0 1 1	M = 3 minimum		
0 0 0 1 0 0	M = 4	155.52	156.25
⋮			
0 0 1 0 0 0	M = 8	77.76	
⋮			
0 1 0 0 0 0	M = 16	38.80	
⋮			
0 1 1 0 0 1	M = 25		25.00
⋮			
1 0 0 0 0 0	M = 32	19.44	
⋮			
1 1 1 1 1 1	M = 63		

Table 4: M Divider Pin Selection

Note 1: $F_{VCSO} = 622.08\text{ MHz}$ (e.g., M2004-02-622.0800)

Note 2: $F_{VCSO} = 625.00\text{ MHz}$ (e.g., M2004-02-625.0000)

Note 3: M5 pin has a pull-up resistor; M4-M0, pull-down.



FUNCTIONAL DESCRIPTION

The M2004-02/-12 is a PLL (Phase Locked Loop) based clock generator that generates output clocks synchronized to one of two selectable input reference clocks. An internal high “Q” SAW delay line provides a low jitter clock signal.

The device can be pin-configured for feedback divider and output divider values. Output is LVPECL compatible. External loop filter component values set the PLL bandwidth to optimize jitter attenuation characteristics.

The M2004-12 adds Hitless Switching with Phase Build-out (HS/PBO) to provide SONET/SDH MTIE and TDEV compliance during a reference clock reselection using the internal mux or when using an external mux.

The M2004-02/-12 is ideal for clock jitter attenuation and frequency translation in 2.5 or 10 Gb optical network line card applications.

Input Reference Clocks

An internal input MUX is provided for input reference clock selection. One input reference clock is selected from between a single-ended LVCMOS / LVTTTL clock input or a differential LVPECL or LVDS clock input pair. The maximum input frequency is 175MHz.

PLL Operation

The M2004-02/-12 is a complete clock PLL. It uses a phase detector and configurable dividers to synchronize the output of the VCISO with the selected reference clock.

The “M Divider” divides the VCISO output frequency, feeding the result into the phase detector. The selected input reference clock is fed into the other input of the phase detector. The phase detector compares its two inputs. It then causes the VCISO to increase or decrease in speed as needed to phase- and frequency-lock the VCISO to the reference input.

The value of M directly affects closed loop bandwidth.

The M Divider

The relationship between the VCISO center frequency (Fvcso), the M divider, and the input reference frequency (Fref_clk) is:

$$F_{vcso} = F_{ref_clk} \times M$$

The product of M and the input frequency must be such that it falls within the “lock” range of the VCISO.

See APR in AC Characteristics on pg. 7.

N Divider and Outputs

The M2004-02/-12 provides one differential LVPECL output pair: FOUT, nFOUT. By using the N divider, the output frequency can be the VCISO center frequency (Fvcso) or 1/2, 1/4, or 1/8 Fvcso.

See Table 5, N Divider Pin Selection, on pg. 3.

When the N divider is included, the complete relationship for the output frequency (Fout) is defined as:

$$F_{out} = \frac{F_{vcso}}{N} = F_{ref_clk} \times \frac{M}{N}$$

Configuration of M and N Dividers

The M and N dividers can be set by pin configuration using the input pins M0 - M5, N0, and N1.

The data on pins M5:0 and pins N1:0 is passed directly to the M and N dividers.

The divider configuration of the M2004-02/-12 is reset when the input pin MR is set HIGH. MR is set LOW for divider configuration to be operational.



Hitless Switching and Phase Build-out *

A proprietary automatic Hitless Switching (HS) function is included in the M2004-12. The HS function provides SONET/SDH MTIE and TDEV compliance during a reference clock reselection using the internal mux or when using an external mux (through detection of the resulting phase transient).** A Phase Build-out (PBO) function is also incorporated to absorb most of the phase change in the reference clock input.

The combined HS/PBO function is armed after the device locks to the input clock reference. Once armed, HS/PBO is triggered by either:

- Changing REF_SEL to switch the input reference clock.
- Detection at the phase detector of an input phase transient beyond 4 ns.

Once triggered, the HS function narrows loop bandwidth to control MTIE during locking to the new input phase. With proper configuration of the external loop filter, the output clocks will comply with MTIE and TDEV specifications for GR-253 (SONET) and ITU G.813 (SDH) during input reference clock changes.

The Phase Build-out (PBO) function enables the PLL to absorb most of the phase change of the input clock. The PBO function selects a new VCISO clock edge for the phase detector feedback clock, selecting the edge closest in phase to the new input clock phase. This reduces re-lock time, the generation of wander, and extra output clock cycles.

Note *: The M2004-02 does not include HS/PBO.

Note **: Transient-triggered HS/PBO is not suitable for use with an unstable reference clock that would induce phase jitter beyond 2 ns at the phase detector (e.g., Stratum DPPLL clock sources and unstable recovered network clocks intended for loop timing configuration). Therefore, the M2004-12 also offers the internal mux-triggered HS/PBO capability.

When the PLL locks to within 2 ns of the input clock phase, the PLL returns to normal loop bandwidth and the HS/PBO function is re-armed.

External Loop Filter

To provide stable PLL operation, and thereby a low jitter output clock, the M2004-02/-12 requires the use of an external loop filter components. These are connected to the provided filter pins (see Figure 4). Due to the differential signal path design, the implementation consists of two identical complementary RC filters as shown in Figure 4, below.

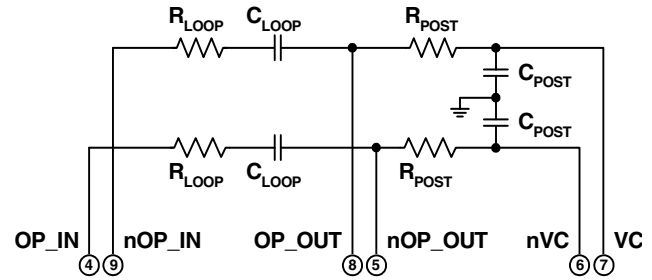


Figure 4: External Loop Filter

PLL bandwidth is affected by the “M” value as well as the VCISO frequency. See Table 6, External Loop Filter Component Values M2004-02/-12, on pg. 5.

PLL Simulator Tool Available

A free PC software utility is available on the ICS website (www.icst.com). The M2000 Timing Modules PLL Simulator is a downloadable application that simulates PLL jitter and wander transfer characteristics. This enables the user to set appropriate external loop component values in a given application.

External Loop Filter Component Values ¹ M2004-02/-12

VCISO Parameters: $K_{VCO} = 800\text{kHz/V}$, $R_{IN} = 16\text{k}\Omega$, VCISO Bandwidth = 700kHz. See AC Characteristics on pg. 7 for PLL Loop Constants.

Device Configuration			Example External Loop Filter Component Values				Nominal Performance Using These Values		
F _{Ref} (MHz)	F _{VCISO} (MHz)	M Divider Value	R loop	C loop	R post	C post	PLL Loop Bandwidth	Damping Factor	Passband Peaking (dB)
19.44	622.08	32	13kΩ	0.47μF	33kΩ	220pF	3.8kHz	5.6	0.06
19.44	622.08	32	39kΩ	0.022μF	20kΩ	220pF	12.7kHz	7.7	0.03
19.44	622.08	32	2.2kΩ	10.0μF	22kΩ	3300pF	710Hz	4.4	0.10
155.52	622.08	4	3.9kΩ	0.47μF	39kΩ	100pF	11.0kHz	4.7	0.09
155.52	622.08	4	750Ω	10.0μF	7.5kΩ	1000pF	1.6kHz	4.2	0.10

Table 6: External Loop Filter Component Values M2004-02/-12

Note 1: K_{VCO} , VCISO Bandwidth, M Divider Value, and External Loop Filter Component Values determine Loop Bandwidth, Damping Factor, and Passband Peaking. For PLL Simulator software, go to www.icst.com.



ABSOLUTE MAXIMUM RATINGS¹

Symbol	Parameter	Rating	Unit
V _I	Inputs	-0.5 to V _{CC} +0.5	V
V _O	Outputs	-0.5 to V _{CC} +0.5	V
V _{CC}	Power Supply Voltage	4.6	V
T _S	Storage Temperature	-45 to +100	°C

Table 7: Absolute Maximum Ratings

Note 1: Stresses beyond those listed under Absolute Maximum Ratings may cause permanent damage to the device. These ratings are stress specifications only. Functional operation of product at these conditions or any conditions beyond those listed in Recommended Conditions of Operation, DC Characteristics, or AC Characteristics is not implied. Exposure to absolute maximum rating conditions for extended periods may affect product reliability.

RECOMMENDED CONDITIONS OF OPERATION

Symbol	Parameter	Min	Typ	Max	Unit
V _{CC}	Positive Supply Voltage	3.135	3.3	3.465	V
T _A	Ambient Operating Temperature				
		Commercial	0	+70	°C
		Industrial	-40	+85	°C

Table 8: Recommended Conditions of Operation

ELECTRICAL SPECIFICATIONS

DC Characteristics

Unless stated otherwise, V_{CC} = 3.3V ±5%, T_A = 0°C to +70°C (commercial), F_{VCSO} = F_{OUT} = 622-675MHz, Outputs terminated with 50Ω to V_{CC} - 2V
T_A = -40°C to +85°C (industrial)

	Symbol	Parameter	Min	Typ	Max	Unit	Conditions
Power Supply	V _{CC}	Positive Supply Voltage	3.135	3.3	3.465	V	
	I _{CC}	Power Supply Current		162		mA	
Differential Input: LVDS / LVPECL	V _{P-P}	Peak to Peak Input Voltage ¹	0.15			V	DIF_REF, nDIF_REF
	V _{CMR}	Common Mode Input ¹	0.5		V _{CC} - 0.85	V	
LVCMOS / LVTTTL Input	V _{IH}	Input High Voltage	2		V _{CC} + 0.3	V	REF_CLK, REF_SEL, MR, N0:N1, M0:M5
	V _{IL}	Input Low Voltage	-0.3		1.3	V	
Inputs with Pull-down	I _{IH}	Input High Current			150	μA	V _{CC} = V _{IN} = 3.456V
	I _{IL}	Input Low Current	-5			μA	DIF_REF, REF_CLK, REF_SEL, MR, N0:N1, M0:M4
	R _{pulldown}	Internal Pull-down Resistor		51		kΩ	
Inputs with Pull-up	I _{IH}	Input High Current			5	μA	V _{CC} = 3.456V V _{IN} = 0 V
	I _{IL}	Input Low Current	-150			μA	nDIF_REF, M5
	R _{pullup}	Internal Pull-up Resistor		51		kΩ	
All Inputs	C _{IN}	Input Capacitance			4	pF	All Inputs
Differential Outputs	V _{OH}	Output High Voltage	V _{CC} - 1.4		V _{CC} - 1.0	V	
	V _{OL}	Output Low Voltage	V _{CC} - 2.0		V _{CC} - 1.7	V	FOUT, nFOUT
	V _{P-P}	Peak to Peak Output Voltage ²	0.4		0.85	V	

Table 9: DC Characteristics

Note 1: Single-ended measurement. See Figure 6, Differential Input Level on pg. 8.

Note 2: Single-ended measurement. See Figure 5, Input and Output Rise and Fall Time on pg. 8.



ELECTRICAL SPECIFICATIONS (CONTINUED)

AC Characteristics

Unless stated otherwise, $V_{CC} = 3.3V \pm 5\%$, $T_A = 0^\circ C$ to $+70^\circ C$ (commercial), $F_{VCSO} = F_{OUT} = 622-675MHz$, Outputs terminated with 50Ω to $V_{CC} - 2V$
 $T_A = -40^\circ C$ to $+85^\circ C$ (industrial)

Symbol	Parameter		Min	Typ	Max	Unit	Conditions
F_{IN}	Input Frequency	DIF_REF, nDIF_REF, REF_CLK	1		175	MHz	
F_{OUT}	Output Frequency	FOUT, nFOUT	38		700	MHz	
APR	VCSO Pull-Range	Commercial	± 120	± 200		ppm	
		Industrial	± 50	± 150		ppm	
PLL Loop Constants ¹	K_{VCO}	VCO Gain		800		kHz/V	
	R_{IN}	Internal Loop Resistor		16		k Ω	
	BW_{VCSO}	VCSO Bandwidth		700		kHz	
Phase Noise and Jitter	Φ_n	Single Side Band	1kHz Offset	-72		dBc/Hz	
		Phase Noise	10kHz Offset	-94		dBc/Hz	
		@622.08MHz	100kHz Offset	-123		dBc/Hz	
	J(t)	Jitter (rms)	12kHz to 20MHz	0.5		ps	
		50kHz to 80MHz	0.5		ps		
odc	Output Duty Cycle ²	N = 2, 4, or 8	45	50	55	%	
		N = 1	40	50	60	%	
		N = 1, using AC coupled LVPECL output circuit as shown in Figure 8, page 8	45	50	55	%	
t_R	Output Rise Time ² for FOUT, nFOUT	$F_{OUT} = 155.52MHz$ N = 4 (N1:0 = 10)	350	450	550	ps	
		$F_{OUT} = 311.04MHz$ N = 2 (N1:0 = 01)	325	425	500	ps	20% to 80%
		$F_{OUT} = 622.08MHz$ N = 1 (N1:0 = 00)	200	275	350	ps	
t_F	Output Fall Time ² for FOUT, nFOUT	$F_{OUT} = 155.52MHz$ N = 4 (N1:0 = 10)	350	450	550	ps	
		$F_{OUT} = 311.04MHz$ N = 2 (N1:0 = 01)	325	425	500	ps	20% to 80%
		$F_{OUT} = 622.08MHz$ N = 1 (N1:0 = 00)	200	275	350	ps	
t_{LOCK}	PLL Lock Time			100		ms	
MTIE	Mean Time Interval Error ³	M2004-12					Compliant with GR-253-CORE

Table 10: AC Characteristics

Note 1: Parameters needed for PLL Simulator software; see Table 6, External Loop Filter Component Values M2004-02/-12 on pg. 5.

Note 2: See Parameter Measurement Information below.

Note 3: Requires proper loop filter settings. Consult factory.



PARAMETER MEASUREMENT INFORMATION

Input and Output Rise and Fall Time

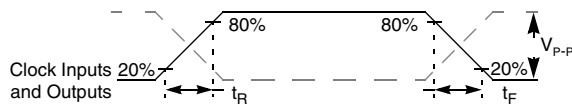


Figure 5: Input and Output Rise and Fall Time

Differential Input Level

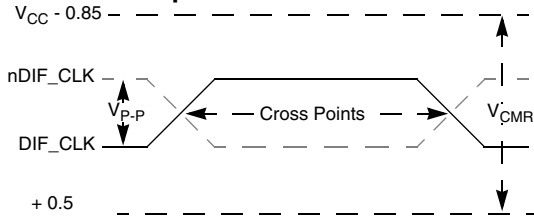


Figure 6: Differential Input Level

Output Duty Cycle

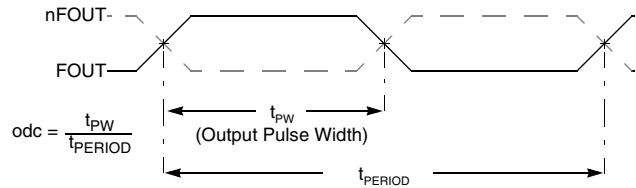


Figure 7: Output Duty Cycle

AC Coupled LVPECL Output Circuit for 45-55% Duty Cycle at Fvco

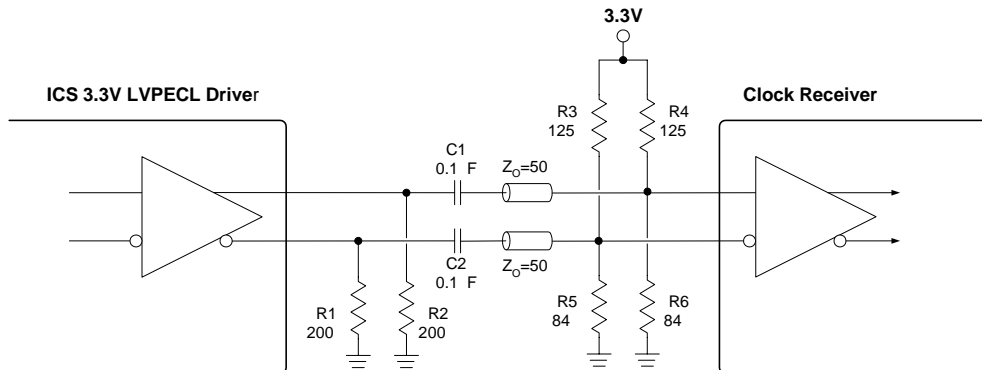


Figure 8: AC Coupled Output

AC coupled termination can be used with the M2004-02/-12 LVPECL output, as shown above in Figure 8, to achieve an improved output duty cycle of 45-55% or better at the load when N=1 (output N Divider). This performance has been characterized when R1 = R2 = 200Ω, C1 = C2 = 0.1μF, and when termination resistance at the receiver (combination of R3 with R5, and R4 with R6) is 50 ohms.



ORDERING INFORMATION

Part Number: <u>M2004-x2-xxx.xxxx</u>	
Device Variant	_____
Added Features	
-02	none (base)
-12	HS/PBO
-22	Fixed NBW
-32	HS/PBO Fixed NBW
-42	HS/PBO Fixed NBW
-52	HS/PBO Fixed NBW
See M2004-x2 Preliminary Information	
Temperature	_____
"-" = 0 to +70 °C (commercial)	
"I" = -40 to +85 °C (industrial)	
Frequency (MHz)	_____
Consult ICS for available VCSO frequencies	

Feature Key
HS/PBO = Hitless Switching with Phase Build-out

Figure 10: Ordering Information

Example Part Numbers

For VCSO Freq (MHz)	Temperature	Part Number
622.08	commercial	M2004-02- 622.0800 or M2004-12- 622.0800
	industrial	M2004-02I 622.0800 or M2004-12I 622.0800

Table 11: Example Part Numbers

Consult ICS for the availability of other VCSO frequencies.

While the information presented herein has been checked for both accuracy and reliability, Integrated Circuit Systems (ICS) assumes no responsibility for either its use or for the infringement of any patents or other rights of third parties, which would result from its use. No other circuits, patents, or licenses are implied. This product is intended for use in normal commercial applications. Any other applications such as those requiring extended temperature range, high reliability, or other extraordinary environmental requirements are not recommended without additional processing by ICS. ICS reserves the right to change any circuitry or specifications without notice. ICS does not authorize or warrant any ICS product for use in life support devices or critical medical instruments.

Looking for pricing, stock, or lifecycle information?

Click below to explore more details on WIN SOURCE:

- ⊖ [View M2004-02-622.0800 on WIN SOURCE](#)
- ⊖ [Renesas Electronics America](#) Information

Optimize Your Supply Chain with WIN SOURCE Solutions

- ✓ Global Sourcing Solution
- ✓ Obsolete Management
- ✓ Cost Control Management
- ✓ Shortage Management
- ✓ Alternative Solution
- ✓ Excess Inventory Management