

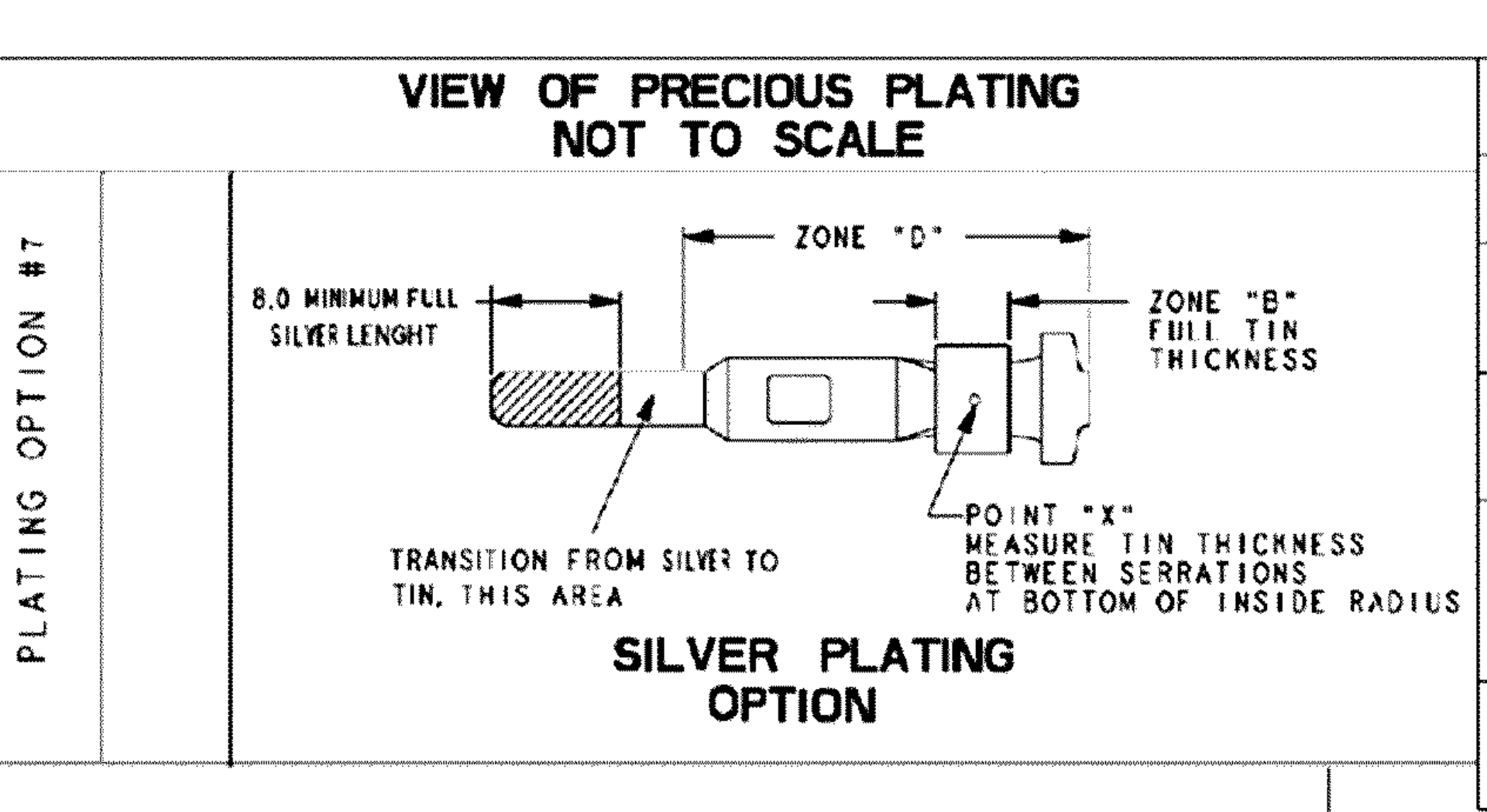


**THE DATASHEET OF
XY2500F-A-5.0-5P**



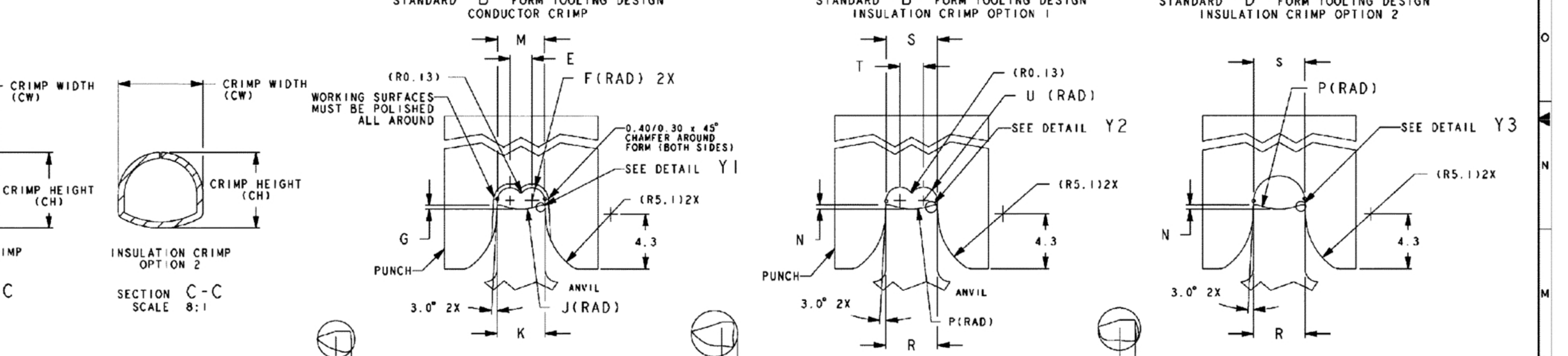
REV	DATE	BY	CHKD	DESCRIPTION
10/12	4.0/6.0	4.3/3.0		...
12	2.5/3.0	3.4/3.0		...
14/16	1.5/2.5	3.0/2.0		...
21/18/20/21	2.1/2.0/3.1	2.1/2.1/4.1		...
18/20	1.0/0.5	2.2/1.4		...
22	0.5	1.8/1.2		...

WIRE SIZE	WIRE TYPE	WIRE SPEC	WIRE METRIC	CONDUCTOR CRIMP HEIGHT	CONDUCTOR CRIMP HEIGHT METRIC	CONDUCTOR CRIMP WIDTH	CONDUCTOR CRIMP WIDTH METRIC	INSULATION CRIMP HEIGHT	INSULATION CRIMP HEIGHT METRIC	INSULATION CRIMP WIDTH	INSULATION CRIMP WIDTH METRIC	INSULATION CRIMP PUNCH OPTION	INSULATION CRIMP PUNCH TYPE	INSULATION CRIMP PUNCH SECT
US 22		0.35	1.40	1.30	2.05	1.95	1.95	2.60	2.60	2.40	2.40	2	2.80	CONDUCTOR
CS 18		0.75/1.20	1.50	1.30/1.50		4.20	4.15/4.20	4.10	4.10	2	2	2.80	INSULATION	INSULATION



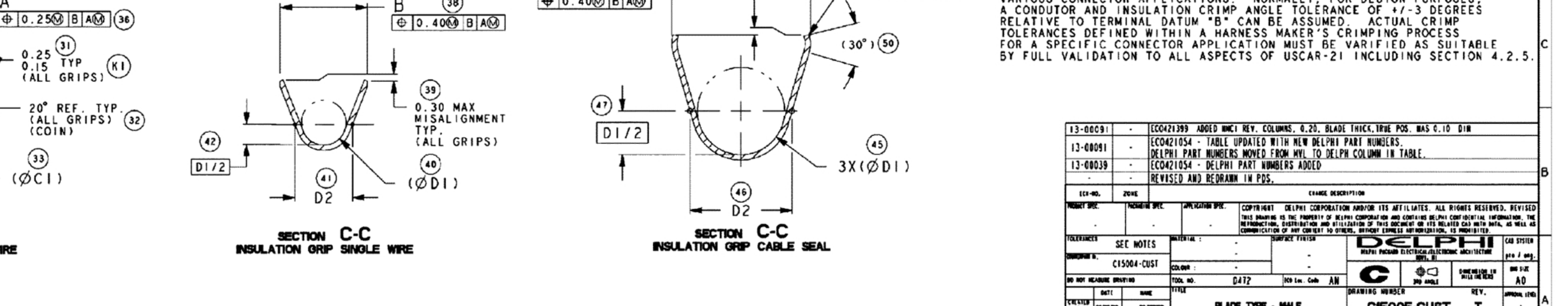
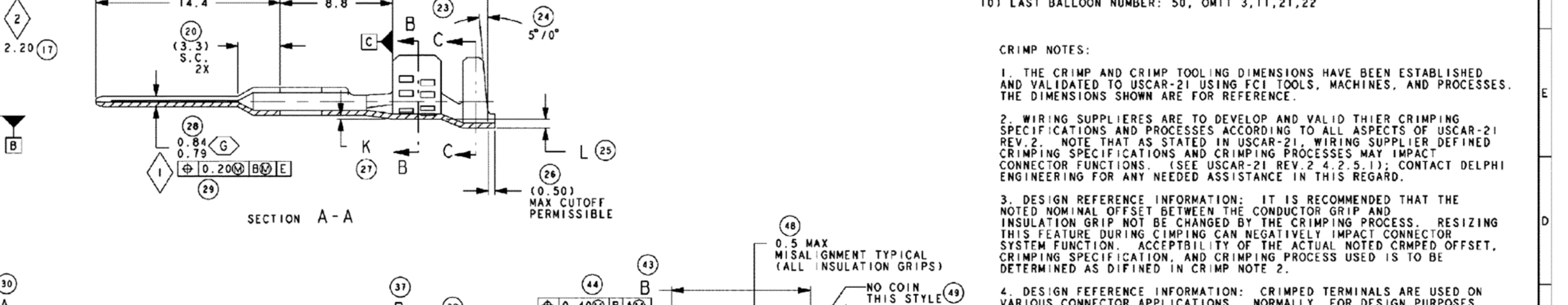
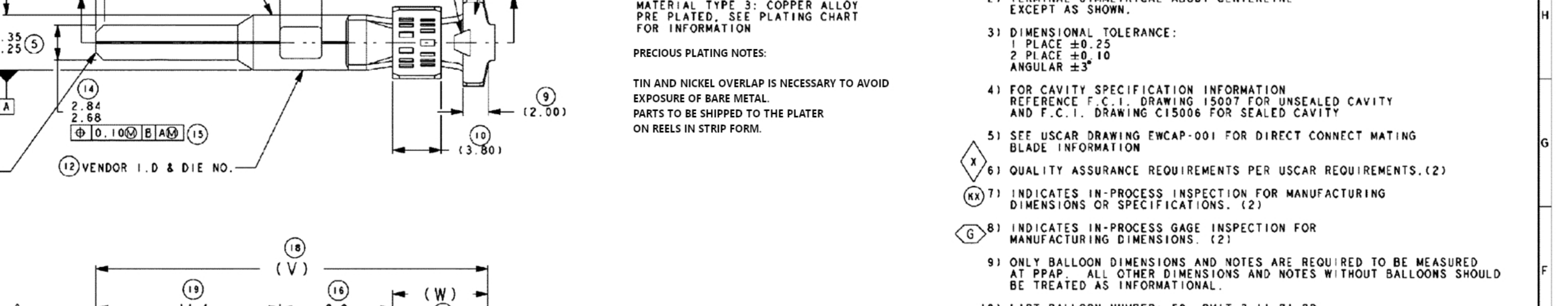
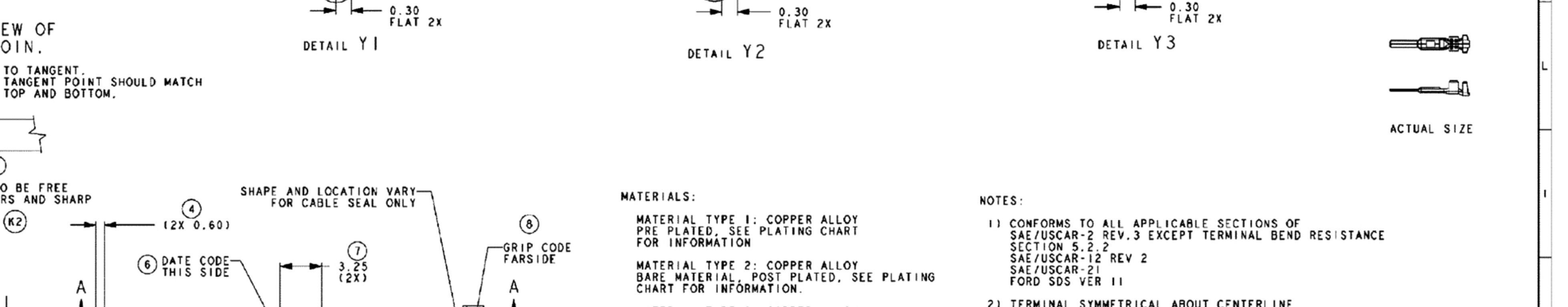
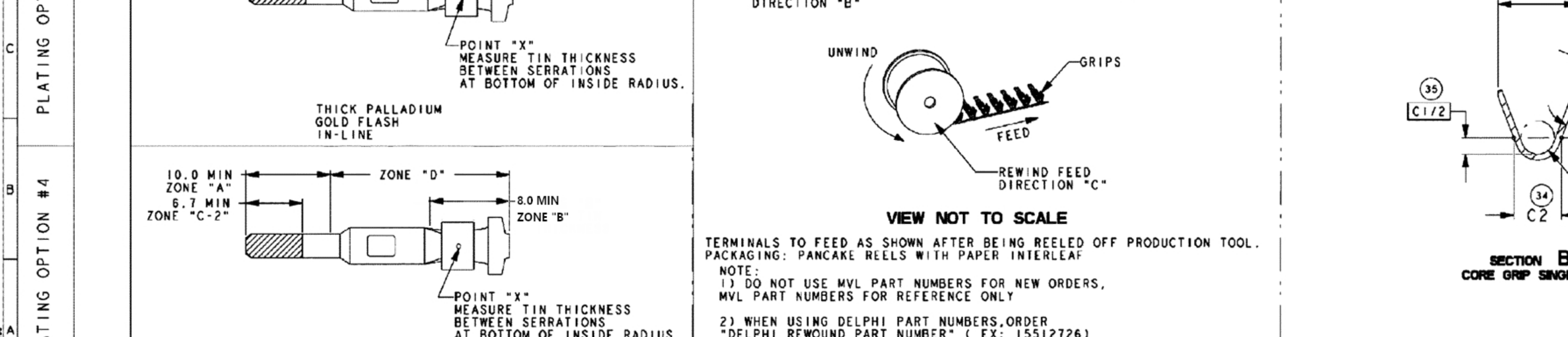
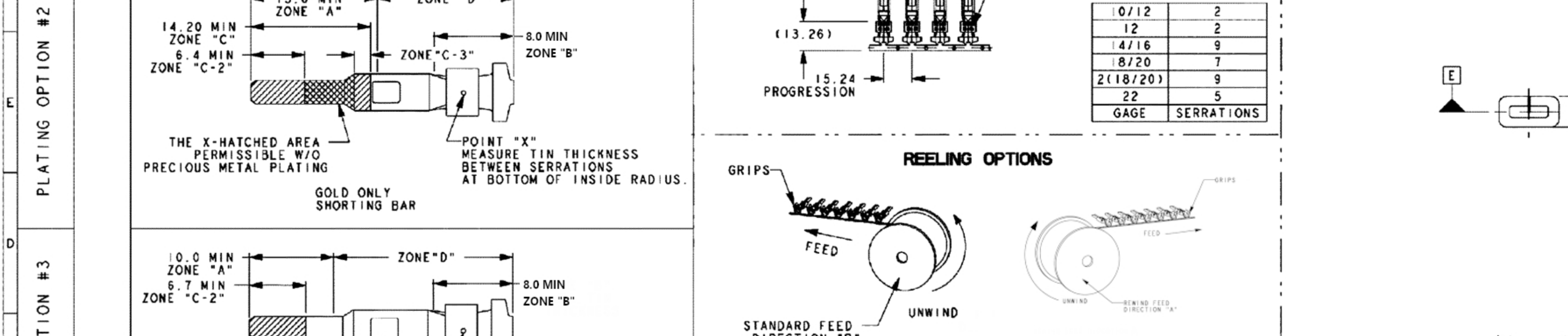
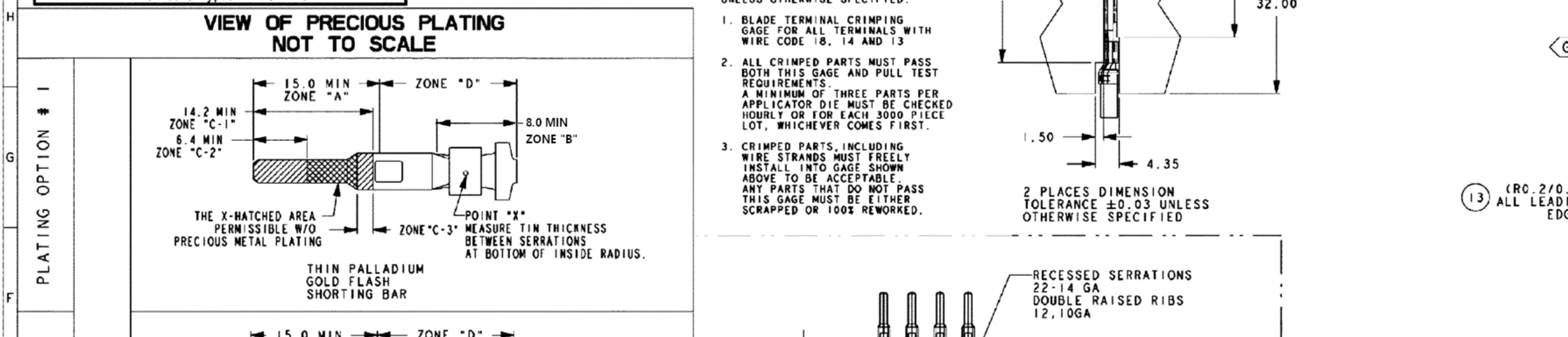
MATERIAL TYPE	PLATING OPT.	TYPE 2	POST PLATING	TYPE 2	POST PLATING
ZONE 'A'	ELECTRO DEPOSITED PURE SILVER	100% SILVER	100% SILVER	100% SILVER	100% SILVER
ZONE 'B'	ELECTRO MATT TIN PLATE	100% TIN	100% TIN	100% TIN	100% TIN
ZONE 'C'
ZONE 'D'	ELECTRO MATT TIN PLATE	100% TIN	100% TIN	100% TIN	100% TIN

CRIMP TOOL INFORMATION (REF. ONLY)	STANDARD "B" FORM TOOLING DESIGN	STANDARD "B" FORM TOOLING DESIGN	STANDARD "D" FORM TOOLING DESIGN
	INSULATION CRIMP OPTION 1	INSULATION CRIMP OPTION 2	INSULATION CRIMP OPTION 2



WIRE SIZE	WIRE TYPE	WIRE SPEC	WIRE METRIC	CONDUCTOR CRIMP HEIGHT	CONDUCTOR CRIMP HEIGHT METRIC	CONDUCTOR CRIMP WIDTH	CONDUCTOR CRIMP WIDTH METRIC	INSULATION CRIMP HEIGHT	INSULATION CRIMP HEIGHT METRIC	INSULATION CRIMP WIDTH	INSULATION CRIMP WIDTH METRIC	INSULATION CRIMP PUNCH OPTION	INSULATION CRIMP PUNCH TYPE	INSULATION CRIMP PUNCH SECT
US 22		0.35	1.40	1.30	2.05	1.95	1.95	2.60	2.60	2.40	2.40	2	2.80	CONDUCTOR

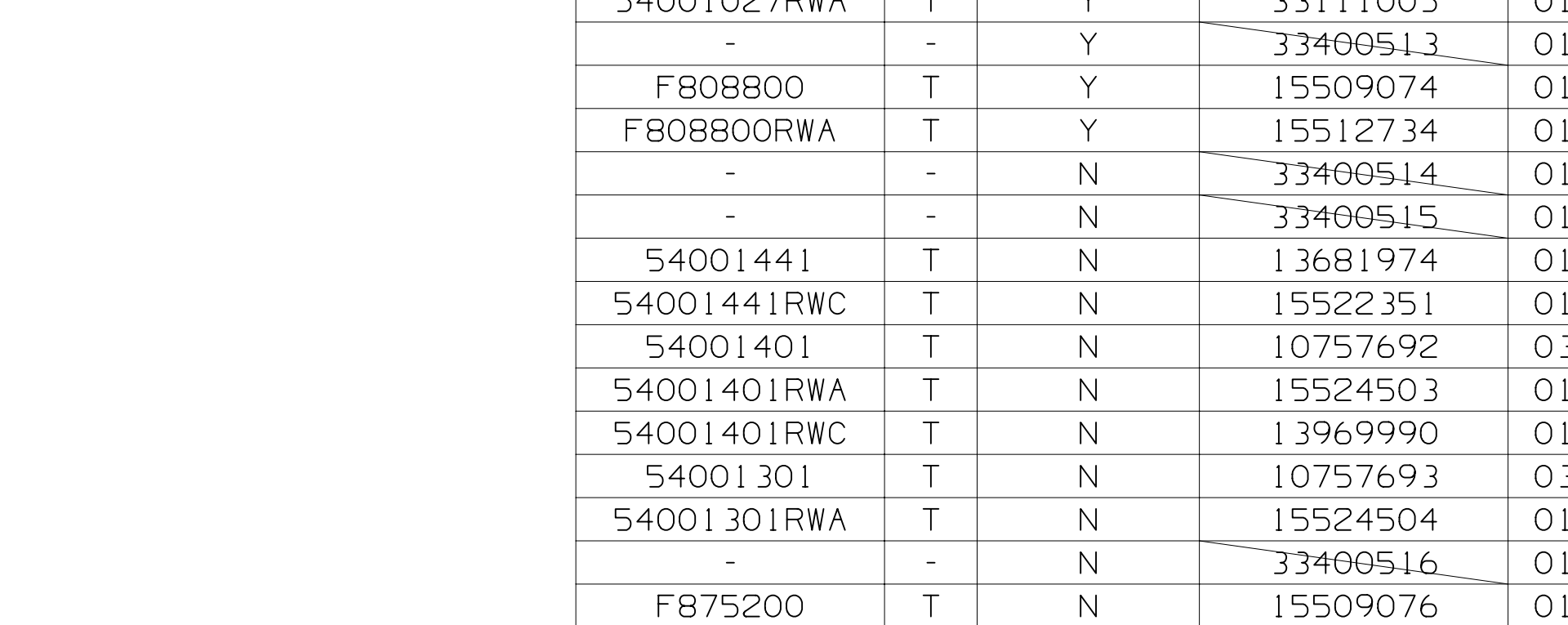
GAUGE REQUIREMENTS	SECTION THRU CONE WIND
1. BLADE TERMINAL CRIMPING...	2. 4.00±0.005
2. ALL OTHER PARTS MUST PASS...	0.75±0.005
3. CRIMPED PARTS INCLUDING...	0.930±0.005



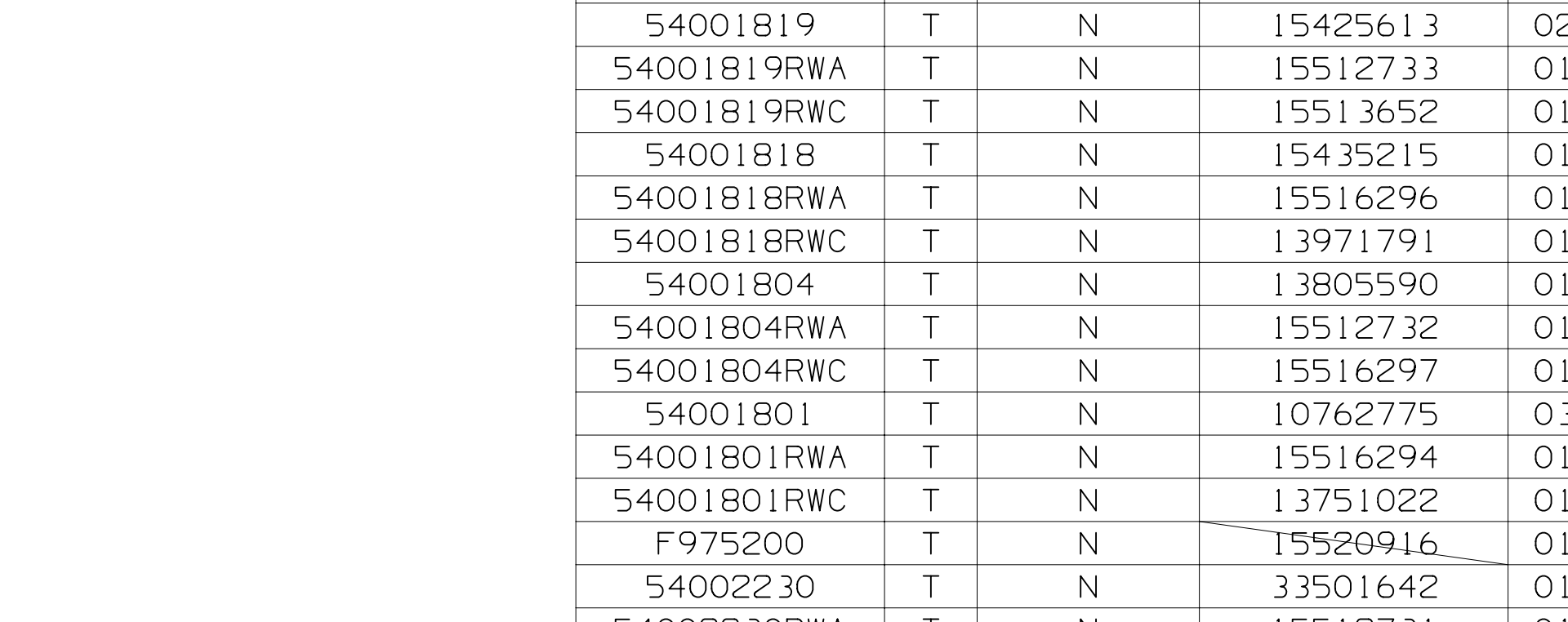
MATERIAL TYPE	PLATING OPT.	TYPE 2	POST PLATING	TYPE 2	POST PLATING
ZONE 'A'	ELECTRO DEPOSITED PURE SILVER	100% SILVER	100% SILVER	100% SILVER	100% SILVER
ZONE 'B'	ELECTRO MATT TIN PLATE	100% TIN	100% TIN	100% TIN	100% TIN
ZONE 'C'
ZONE 'D'	ELECTRO MATT TIN PLATE	100% TIN	100% TIN	100% TIN	100% TIN



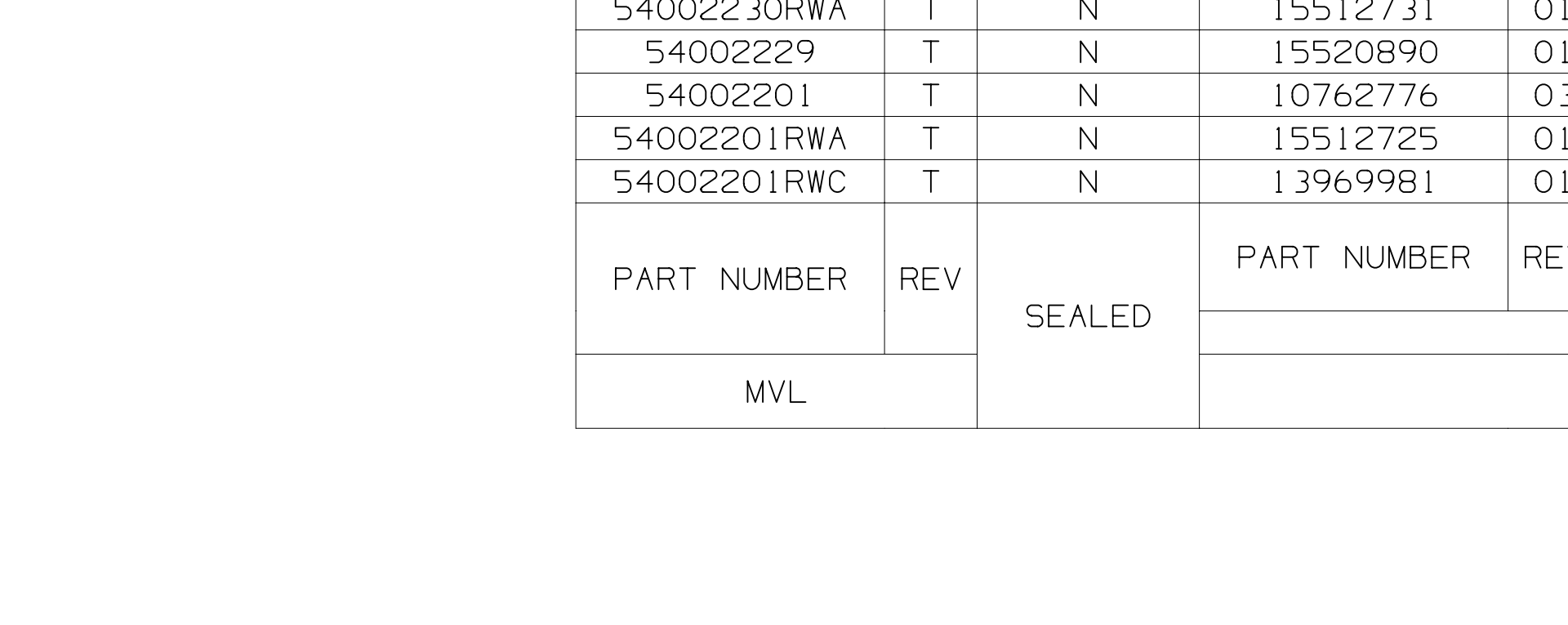
MATERIAL TYPE	PLATING OPT.	TYPE 2	POST PLATING	TYPE 2	POST PLATING
ZONE 'A'	ELECTRO DEPOSITED PURE SILVER	100% SILVER	100% SILVER	100% SILVER	100% SILVER
ZONE 'B'	ELECTRO MATT TIN PLATE	100% TIN	100% TIN	100% TIN	100% TIN
ZONE 'C'
ZONE 'D'	ELECTRO MATT TIN PLATE	100% TIN	100% TIN	100% TIN	100% TIN



MATERIAL TYPE	PLATING OPT.	TYPE 2	POST PLATING	TYPE 2	POST PLATING
ZONE 'A'	ELECTRO DEPOSITED PURE SILVER	100% SILVER	100% SILVER	100% SILVER	100% SILVER
ZONE 'B'	ELECTRO MATT TIN PLATE	100% TIN	100% TIN	100% TIN	100% TIN
ZONE 'C'
ZONE 'D'	ELECTRO MATT TIN PLATE	100% TIN	100% TIN	100% TIN	100% TIN

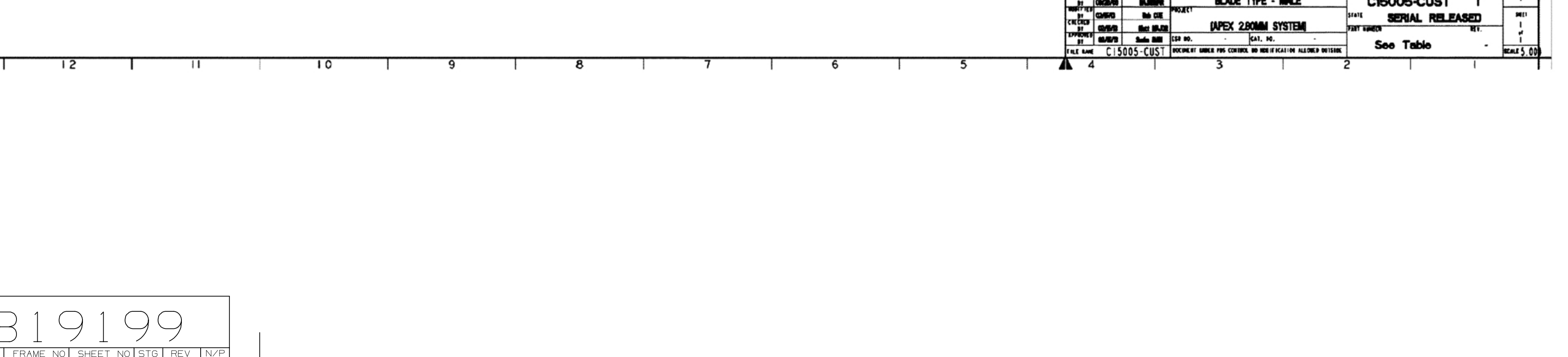


MATERIAL TYPE	PLATING OPT.	TYPE 2	POST PLATING	TYPE 2	POST PLATING
ZONE 'A'	ELECTRO DEPOSITED PURE SILVER	100% SILVER	100% SILVER	100% SILVER	100% SILVER
ZONE 'B'	ELECTRO MATT TIN PLATE	100% TIN	100% TIN	100% TIN	100% TIN
ZONE 'C'
ZONE 'D'	ELECTRO MATT TIN PLATE	100% TIN	100% TIN	100% TIN	100% TIN



MATERIAL TYPE	PLATING OPT.	TYPE 2	POST PLATING	TYPE 2	POST PLATING
ZONE 'A'	ELECTRO DEPOSITED PURE SILVER	100% SILVER	100% SILVER	100% SILVER	100% SILVER
ZONE 'B'	ELECTRO MATT TIN PLATE	100% TIN	100% TIN	100% TIN	100% TIN
ZONE 'C'
ZONE 'D'	ELECTRO MATT TIN PLATE	100% TIN	100% TIN	100% TIN	100% TIN

WIRE SIZE	WIRE TYPE	WIRE SPEC	WIRE METRIC	CONDUCTOR CRIMP HEIGHT	CONDUCTOR CRIMP HEIGHT METRIC	CONDUCTOR CRIMP WIDTH	CONDUCTOR CRIMP WIDTH METRIC	INSULATION CRIMP HEIGHT	INSULATION CRIMP HEIGHT METRIC	INSULATION CRIMP WIDTH	INSULATION CRIMP WIDTH METRIC	INSULATION CRIMP PUNCH OPTION	INSULATION CRIMP PUNCH TYPE	INSULATION CRIMP PUNCH SECT
US 22		0.35	1.40	1.30	2.05	1.95	1.95	2.60	2.60	2.40	2.40	2	2.80	CONDUCTOR

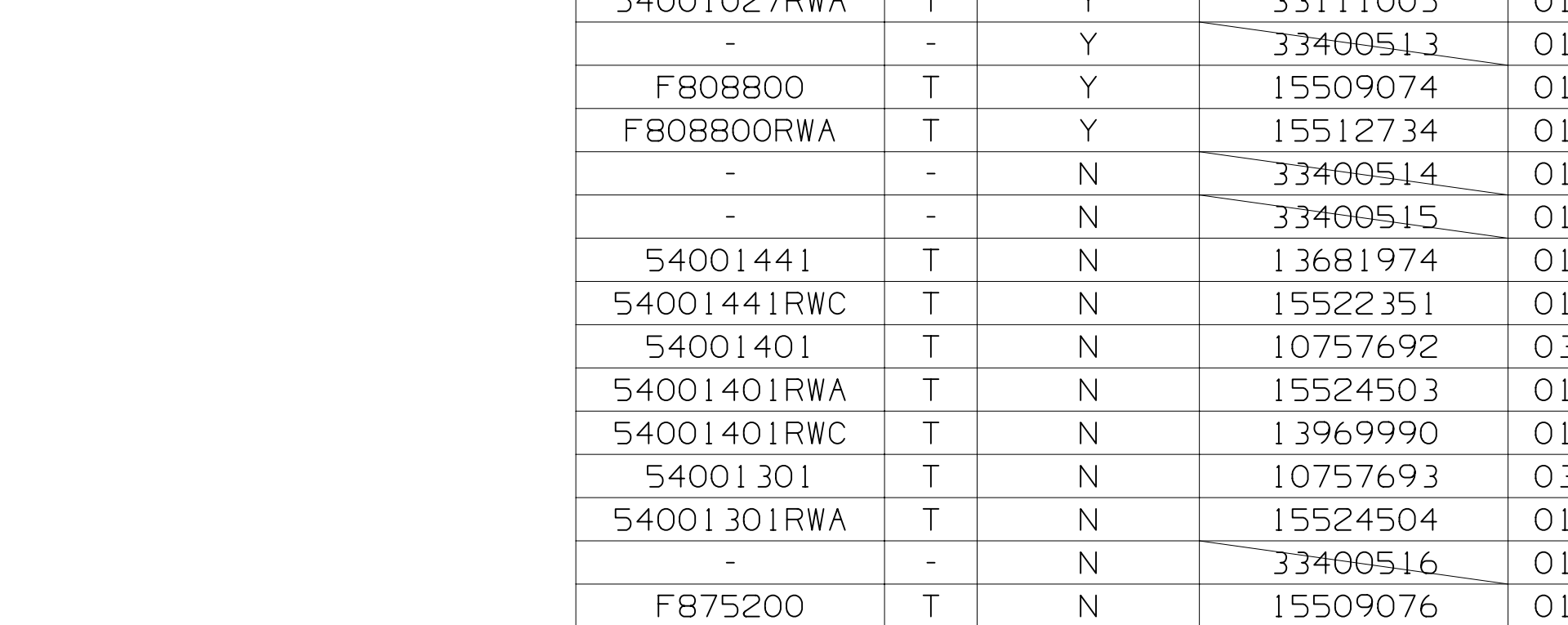


MATERIAL TYPE	PLATING OPT.	TYPE 2	POST PLATING	TYPE 2	POST PLATING
ZONE 'A'	ELECTRO DEPOSITED PURE SILVER	100% SILVER	100% SILVER	100% SILVER	100% SILVER
ZONE 'B'	ELECTRO MATT TIN PLATE	100% TIN	100% TIN	100% TIN	100% TIN
ZONE 'C'
ZONE 'D'	ELECTRO MATT TIN PLATE	100% TIN	100% TIN	100% TIN	100% TIN

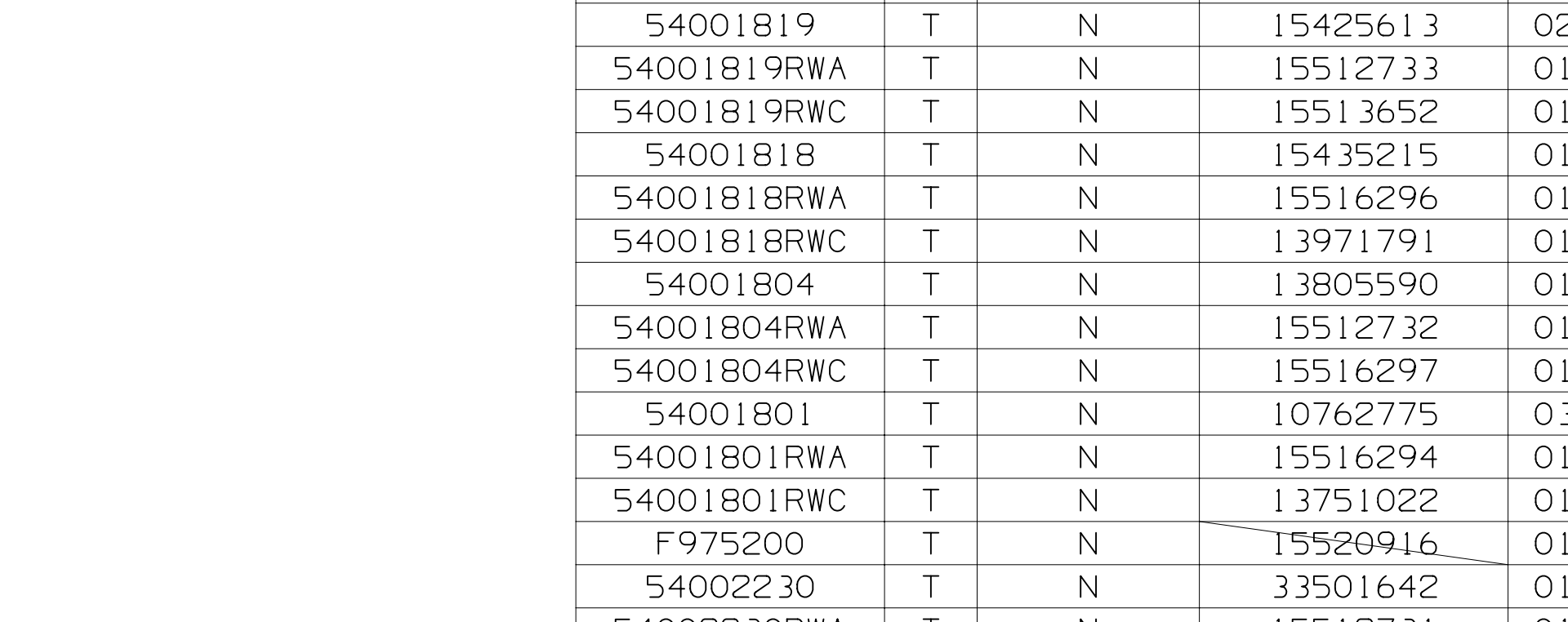
DWG STATUS	ZONE	REVISION HISTORY	AUTH	DR	APPROVED
05PE13 R 01	-	ALL PARTS - REVISION AND REDAWN IN PDS SYSTEM. ADDED DELPHI PART NUMBERS AND UPDATED MVL CHART	421054	JED	JAA/DAB
15PE13 R 02	-	ALL PARTS - ADDED MNCI COLUMN ON MVL CHART AND BLADE THICK TRUE POSITION WAS 0.10	421399	JED	JAA/DAB
14M13 R 03	-	33400512, 15512730, 10762774 & 15519823 - DIM 'L' WAS 1.08; ALL PARTS - UPDATED MVL PASTE UP DWS TO REV LEVEL. 'L' DUE TO ORIGINAL PEAR AND ADDED DELPHI FORMAT & CHMTR. 33518944 - RELEASED	421737	JED	JAA/DAB
100C13 R 04	-	33111005 - RELEASED	423999	CGD	JAA/DAB
05N13 R 05	-	15548841 - RELEASED	425941	CGD	JAA/DAB
18M14 R 06	-	ALL PARTS - INSPECTION SYMBOL BALLOON #31 WAS 0.34/2 TYP; 10757692, 13969900, 15524903, 33400514 & 33518944 - UPDATED 'WIRE SIZE' & 'INSULATION DIAMETER' INFO ON CHART FOR 14/16 GAGE	425921	CGD	JAA/BC
24L17 R 07	-	13969981, 15520891, 15520916-17, 15519823, 15512730, 33400512 & 33518944 - UPDATED PART AVAILABILITY	437251	BDH	JWA/JOG
09L18 R 08	-	33400512-14, 33400516, 33518944-41 & 33518943-44 - ADDED 'PLATING OPTION #7' VIEW	440242	DAV	JAA/JOG
04DE18 R 09	-	35270385, 86 - RELEASED; 15520974, 15522734 - WIRE SIZE WAS 2.5	441331	AHG	AH/LES
05PE19 R 10	-	35270385 & 35270386 - CORRECTED PART AVAILABILITY IN PASTE UP	442276	JOO	JAA/JIE
05AP19 R 11	-	35270385 - UPDATED MVL PASTE UP DWS. 'L' WAS 1.4 & ADDED 'M' VALUE; 35270386 - UPDATED MVL PASTE UP DWS. 'WIRE SIZE METRIC' WAS 0.5-1, 'C1' WAS 1, 'C2' WAS 2-3, 'L' WAS 1.1 & ADDED 'M' VALUE; 35318916 - RELEASED	442505	ODL	JAA/JIE
22AP19 R 12	-	13969981 - UPDATED PART AVAILABILITY	442649	JOO	JOO/DMS
060C20 R 13	-	13681974, 13895590, 13971791, 15425613, 15425614, 15509074, 15512730, 15513650, 15516296, 15516297, 15520891, 15520916, 15522631, 33400515 & 33501642 - ADDED PRECIOUS PLATING NOTE AND UPDATED REWIND FEED 'A' VIEW ON REELING OPTIONS, PLATING OPTION CHART & VIEWS ON PASTE UP DWS; 15520890 - UPDATED PART AVAILABILITY	452649	LVD	CGD/JIE



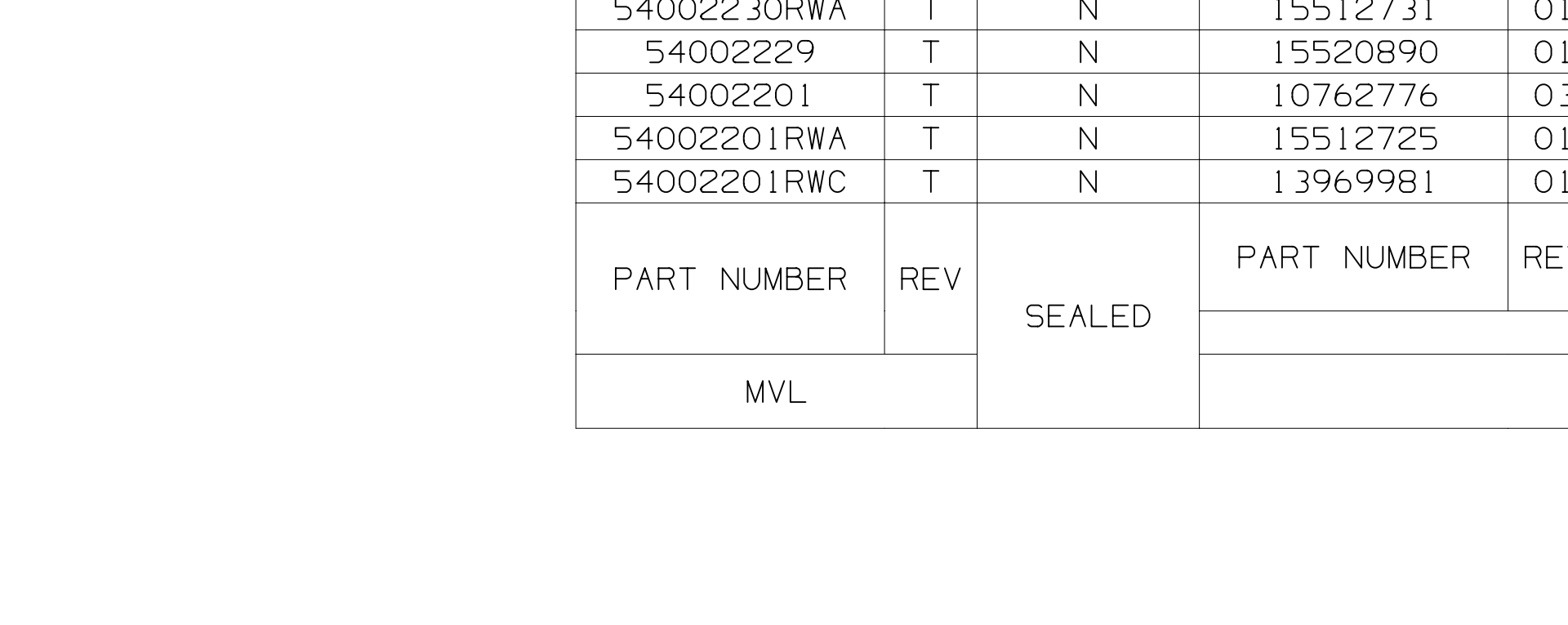
MATERIAL TYPE	PLATING OPT.	TYPE 2	POST PLATING	TYPE 2	POST PLATING
ZONE 'A'	ELECTRO DEPOSITED PURE SILVER	100% SILVER	100% SILVER	100% SILVER	100% SILVER
ZONE 'B'	ELECTRO MATT TIN PLATE	100% TIN	100% TIN	100% TIN	100% TIN
ZONE 'C'
ZONE 'D'	ELECTRO MATT TIN PLATE	100% TIN	100% TIN	100% TIN	100% TIN



MATERIAL TYPE	PLATING OPT.	TYPE 2	POST PLATING	TYPE 2	POST PLATING
ZONE 'A'	ELECTRO DEPOSITED PURE SILVER	100% SILVER	100% SILVER	100% SILVER	100% SILVER
ZONE 'B'	ELECTRO MATT TIN PLATE	100% TIN	100% TIN	100% TIN	100% TIN
ZONE 'C'
ZONE 'D'	ELECTRO MATT TIN PLATE	100% TIN	100% TIN	100% TIN	100% TIN



MATERIAL TYPE	PLATING OPT.	TYPE 2	POST PLATING	TYPE 2	POST PLATING
ZONE 'A'	ELECTRO DEPOSITED PURE SILVER	100% SILVER	100% SILVER	100% SILVER	100% SILVER
ZONE 'B'	ELECTRO MATT TIN PLATE	100% TIN	100% TIN	100% TIN	100% TIN
ZONE 'C'
ZONE 'D'	ELECTRO MATT TIN PLATE	100% TIN	100% TIN	100% TIN	100% TIN



MATERIAL TYPE	PLATING OPT.	TYPE 2	POST PLATING	TYPE 2	POST PLATING
ZONE 'A'	ELECTRO DEPOSITED PURE SILVER	100% SILVER	100% SILVER	100% SILVER	100% SILVER
ZONE 'B'	ELECTRO MATT TIN PLATE	100% TIN	100% TIN	100% TIN	100% TIN
ZONE 'C'
ZONE 'D'	ELECTRO MATT TIN PLATE	100% TIN	100% TIN	100% TIN	100% TIN



MATERIAL TYPE	PLATING OPT.	TYPE 2	POST PLATING	TYPE 2	POST PLATING
ZONE 'A'	ELECTRO DEPOSITED PURE SILVER	100% SILVER	100% SILVER	100% SILVER	100% SILVER
ZONE 'B'	ELECTRO MATT TIN PLATE	100% TIN	100% TIN	100% TIN	100% TIN
ZONE 'C'
ZONE 'D'	ELECTRO MATT TIN PLATE	100% TIN	100% TIN	100% TIN	100% TIN

REV	DATE	BY	CHKD	DESCRIPTION
1
2
3
4
5
6
7
8
9
10
11
12
13
14
15
16
17
18
19
20
21
22
23
24

REV	DATE	BY	CHKD	DESCRIPTION
1
2
3
4
5
6
7
8
9
10
11
12
13
14
15
16
17
18
19
20
21
22
23
24

Looking for pricing, stock, or lifecycle information?

Click below to explore more details on WIN SOURCE:

-  [View XY2500F-A-5.0-5P on WIN SOURCE](#)
-  [Ningbo Xinlaiya Electronic Technology Co., Ltd. Information](#)

Optimize Your Supply Chain with WIN SOURCE Solutions

-  Global Sourcing Solution
-  Obsolete Management
-  Cost Control Management
-  Shortage Management
-  Alternative Solution
-  Excess Inventory Management