



**THE DATASHEET OF
MAX9945AUA+**





38V, Low-Noise, MOS-Input, Low-Power Op Amp

MAX9945

General Description

The MAX9945 operational amplifier features an excellent combination of low operating power and low input voltage noise. In addition, MOS inputs enable the MAX9945 to feature low input bias currents and low input current noise. The device accepts a wide supply voltage range from 4.75V to 38V and draws a low 400 μ A quiescent current. The MAX9945 is unity-gain stable and is capable of rail-to-rail output voltage swing.

The MAX9945 is ideal for portable medical and industrial applications that require low noise analog front-ends for performance applications such as photodiode transimpedance and chemical sensor interface circuits.

The MAX9945 is available in both an 8-pin μ MAX[®] and a space-saving, 6-pin TDFN package, and is specified over the automotive operating temperature range (-40°C to +125°C).

Applications

Medical Pulse Oximetry
 Photodiode Sensor Interface
 Industrial Sensors and Instrumentation
 Chemical Sensor Interface
 High-Performance Audio Line Out
 Active Filters and Signal Processing

μ MAX is a registered trademark of Maxim Integrated Products, Inc.

Features

- ◆ +4.75V to +38V Single-Supply Voltage Range
- ◆ \pm 2.4V to \pm 19V Dual-Supply Voltage Range
- ◆ Rail-to-Rail Output Voltage Swing
- ◆ 400 μ A Low Quiescent Current
- ◆ 50fA Low Input Bias Current
- ◆ 1fA/ $\sqrt{\text{Hz}}$ Low Input Current Noise
- ◆ 15nV/ $\sqrt{\text{Hz}}$ Low Noise
- ◆ 3MHz Unity-Gain Bandwidth
- ◆ Wide Temperature Range from -40°C to +125°C
- ◆ Available in Space-Saving, 6-Pin TDFN Package (3mm x 3mm)

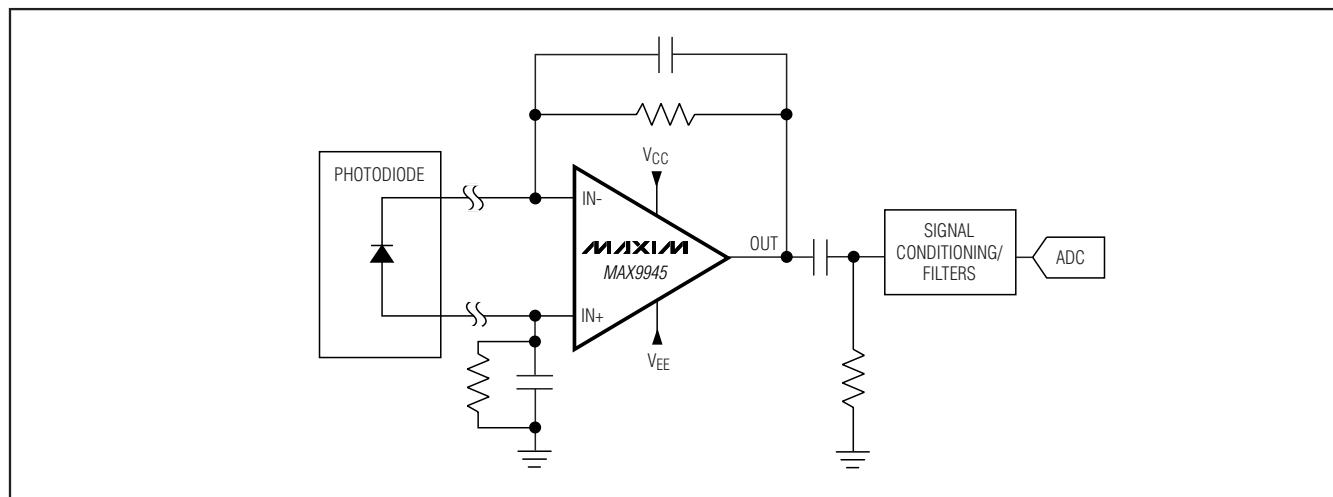
Ordering Information

PART	TEMP RANGE	PIN-PACKAGE	TOP MARK
MAX9945ATT+	-40°C to +125°C	6 TDFN-EP*	AUE
MAX9945AUA+	-40°C to +125°C	8 μ MAX	—

+ Denotes a lead(Pb)-free/RoHS-compliant package.

*EP = Exposed pad.

Typical Operating Circuit



38V, Low-Noise, MOS-Input, Low-Power Op Amp

ABSOLUTE MAXIMUM RATINGS

Supply Voltage (V_{CC} to V_{EE})	-0.3V to +40V
IN+, IN-, OUT Voltage	($V_{EE} - 0.3V$) to ($V_{CC} + 0.3V$)
IN+ to IN-	$\pm 12V$
OUT Short Circuit to Ground Duration	10s
Continuous Input Current into Any Pin	$\pm 20mA$
Continuous Power Dissipation ($T_A = +70^\circ C$)	
6-Pin TDFN-EP (derate 23.8mW/ $^\circ C$ above +70 $^\circ C$)	
Multilayer Board	1904.8mW

8-Pin μ MAX (derate 4.8mW/ $^\circ C$ above +70 $^\circ C$)	
Multilayer Board	387.8mW
Operating Temperature Range	-40 $^\circ C$ to +125 $^\circ C$
Junction Temperature	+150 $^\circ C$
Storage Temperature Range	-65 $^\circ C$ to +150 $^\circ C$
Lead Temperature (soldering, 10s)	+300 $^\circ C$
Soldering Temperature	+260 $^\circ C$

PACKAGE THERMAL CHARACTERISTICS (Note 1)

TDFN-EP

Junction-to-Ambient Thermal Resistance (θ_{JA})	42 $^\circ C/W$
Junction-to-Case Thermal Resistance (θ_{JC})	9 $^\circ C/W$

μ MAX

Junction-to-Ambient Thermal Resistance (θ_{JA})	206.3 $^\circ C/W$
Junction-to-Case Thermal Resistance θ_{JC}	42 $^\circ C/W$

Note 1: Package thermal resistances were obtained using the method described in JEDEC specification JESD51-7, using a four-layer board. For detailed information on package thermal considerations, refer to www.maxim-ic.com/thermal-tutorial.

Stresses beyond those listed under "Absolute Maximum Ratings" may cause permanent damage to the device. These are stress ratings only, and functional operation of the device at these or any other conditions beyond those indicated in the operational sections of the specifications is not implied. Exposure to absolute maximum rating conditions for extended periods may affect device reliability.

ELECTRICAL CHARACTERISTICS

($V_{CC} = +15V$, $V_{EE} = -15V$, $V_{IN+} = V_{IN-} = V_{GND} = 0V$, $R_{OUT} = 100k\Omega$ to GND, $T_A = -40^\circ C$ to +125 $^\circ C$, typical values are at $T_A = +25^\circ C$, unless otherwise noted.) (Note 2)

PARAMETER	SYMBOL	CONDITIONS	MIN	TYP	MAX	UNITS	
DC ELECTRICAL CHARACTERISTICS							
Input Voltage Range	V_{IN+} , V_{IN-}	Guaranteed by CMRR	$T_A = +25^\circ C$	V_{EE}	$V_{CC} - 1.2$	V	
			$T_A = T_{MIN}$ to T_{MAX}	V_{EE}	$V_{CC} - 1.4$		
Input Offset Voltage	V_{OS}	$T_A = +25^\circ C$		± 0.6	± 5	mV	
		$T_A = T_{MIN}$ to T_{MAX}			± 8		
Input Offset Voltage Drift	$V_{OS} - T_C$			2		$\mu V/^\circ C$	
Input Bias Current (Note 3)	I_B	$-40^\circ C \leq T_A \leq +25^\circ C$		50	150	fA	
		$-40^\circ C \leq T_A \leq +70^\circ C$			12	pA	
		$-40^\circ C \leq T_A \leq +85^\circ C$				55	pA
		$-40^\circ C \leq T_A \leq +125^\circ C$				1.9	nA
Common-Mode Rejection Ratio	CMRR	$V_{CM} = V_{EE}$ to $V_{CC} - 1.2V$, $T_A = +25^\circ C$	78	94		dB	
		$V_{CM} = V_{EE}$ to $V_{CC} - 1.4V$, $T_A = T_{MIN}$ to T_{MAX}	78	94			
Open-Loop Gain	A_{OL}	$V_{EE} + 0.3V \leq V_{OUT} \leq V_{CC} - 0.3V$, $R_{OUT} = 100k\Omega$ to GND	110	130		dB	
		$V_{EE} + 0.75V \leq V_{OUT} \leq V_{CC} - 0.75V$, $R_{OUT} = 10k\Omega$ to GND	110	130			
Output Short-Circuit Current	I_{SC}			25		mA	

38V, Low-Noise, MOS-Input, Low-Power Op Amp

MAX9945

ELECTRICAL CHARACTERISTICS (continued)

($V_{CC} = +15V$, $V_{EE} = -15V$, $V_{IN+} = V_{IN-} = V_{GND} = 0V$, $R_{OUT} = 100k\Omega$ to GND, $T_A = -40^{\circ}C$ to $+125^{\circ}C$, typical values are at $T_A = +25^{\circ}C$, unless otherwise noted.) (Note 2)

PARAMETER	SYMBOL	CONDITIONS		MIN	TYP	MAX	UNITS
Output Voltage Low	V_{OL}	$R_{OUT} = 10k\Omega$ to GND	$T_A = T_{MIN}$ to T_{MAX}		$V_{EE} + 0.26$	$V_{EE} + 0.45$	V
		$R_{OUT} = 100k\Omega$ to GND	$T_A = T_{MIN}$ to T_{MAX}		$V_{EE} + 0.05$	$V_{EE} + 0.15$	
Output Voltage High	V_{OH}	$R_{OUT} = 10k\Omega$ to GND	$T_A = T_{MIN}$ to T_{MAX}	$V_{CC} - 0.45$	$V_{CC} - 0.24$		V
		$R_{OUT} = 100k\Omega$ to GND	$T_A = T_{MIN}$ to T_{MAX}	$V_{CC} - 0.15$	$V_{CC} - 0.03$		
AC ELECTRICAL CHARACTERISTICS							
Input Current-Noise Density	I_N	$f = 1kHz$			1		fA/\sqrt{Hz}
Input Voltage Noise	V_{NP-P}	$f = 0.1Hz$ to $10Hz$			2		μV_{P-P}
Input Voltage-Noise Density	V_N	$f = 100Hz$			25		nV/\sqrt{Hz}
		$f = 1kHz$			16.5		
		$f = 10kHz$			15		
Gain Bandwidth	GBW				3		MHz
Slew Rate	SR				2.2		$V/\mu s$
Capacitive Loading (Note 4)	C_{LOAD}	No sustained oscillations			120		pF
Total Harmonic Distortion	THD	$V_{OUT} = 4.5V_{P-P}$, $A_V = 1V/V$, $f = 10kHz$, $R_{OUT} = 10k\Omega$ to GND			97		dB
POWER-SUPPLY ELECTRICAL CHARACTERISTICS							
Power-Supply Voltage Range	$V_{CC} - V_{EE}$	Guaranteed by PSRR, $V_{EE} = 0V$		+4.75		+38	V
Power-Supply Rejection Ratio	PSRR	$V_{CC} - V_{EE} = +4.75V$ to $+38V$		82	100		dB
Quiescent Supply Current	I_{CC}	$T_A = +25^{\circ}C$			400	700	μA
		$T_A = T_{MIN}$ to T_{MAX}				850	

Note 2: All devices are 100% production tested at $T_A = +25^{\circ}C$. All temperature limits are guaranteed by design.

Note 3: Guaranteed by design. $IN+$ and $IN-$ are internally connected to the gates of CMOS transistors. CMOS GATE leakage is so small that it is impractical to test in production. Devices are screened during production testing to eliminate defective units.

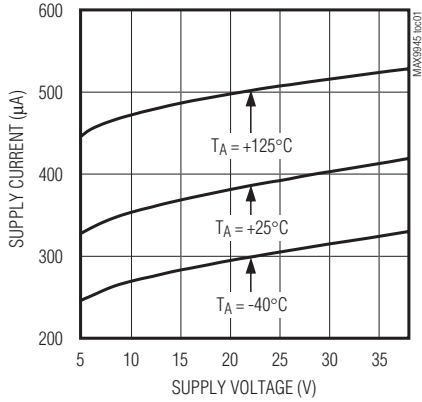
Note 4: Specified over all temperatures and process variation by circuit simulation.

38V, Low-Noise, MOS-Input, Low-Power Op Amp

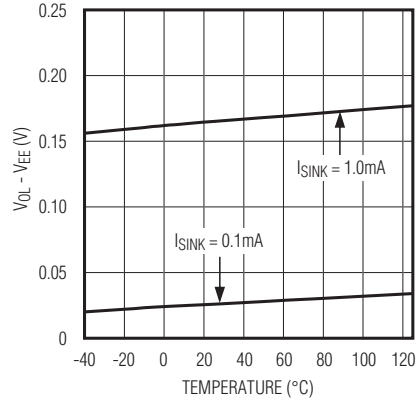
Typical Operating Characteristics

($V_{CC} = +15V$, $V_{EE} = -15V$, $V_{IN+} = V_{IN-} = V_{GND} = 0V$, $R_{OUT} = 100k\Omega$ to GND, $T_A = -40^\circ C$ to $+125^\circ C$, typical values are at $T_A = +25^\circ C$, unless otherwise noted.)

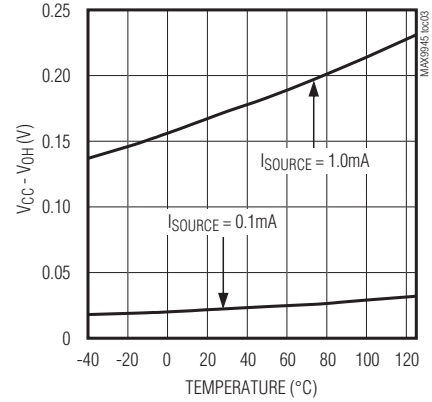
QUIESCENT SUPPLY CURRENT vs. SUPPLY VOLTAGE AND TEMPERATURE



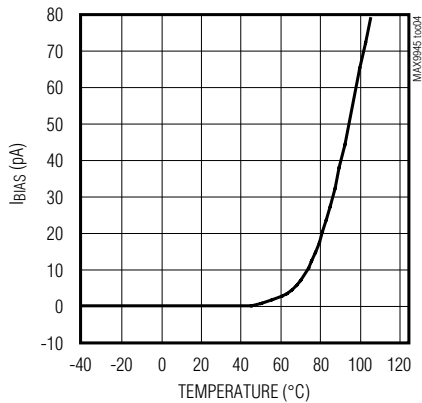
OUTPUT VOLTAGE SWING LOW vs. TEMPERATURE



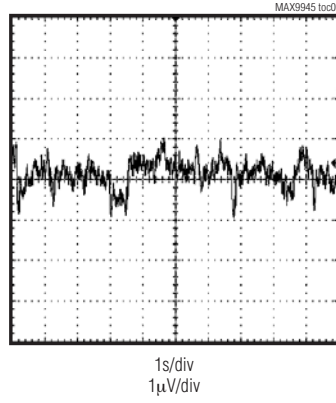
OUTPUT VOLTAGE SWING HIGH vs. TEMPERATURE



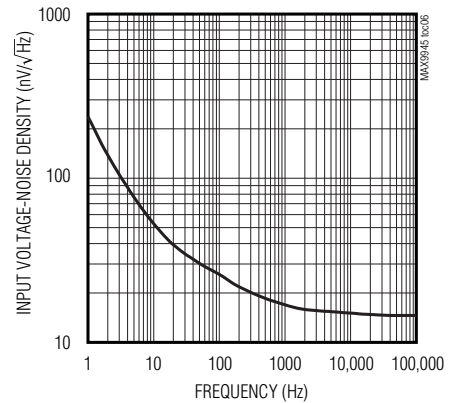
INPUT BIAS CURRENT vs. TEMPERATURE



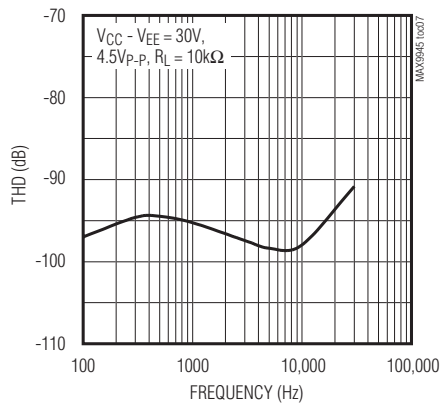
INPUT VOLTAGE 0.1Hz TO 10Hz NOISE



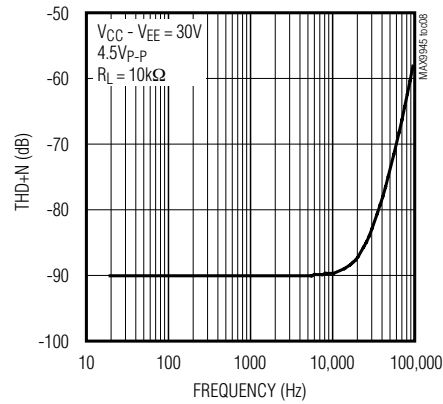
INPUT VOLTAGE-NOISE DENSITY vs. FREQUENCY



TOTAL HARMONIC DISTORTION vs. FREQUENCY



TOTAL HARMONIC DISTORTION + NOISE vs. FREQUENCY

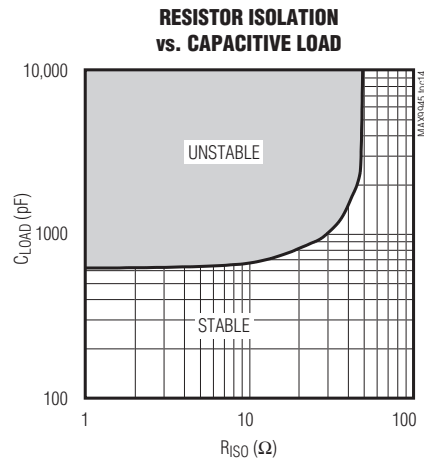
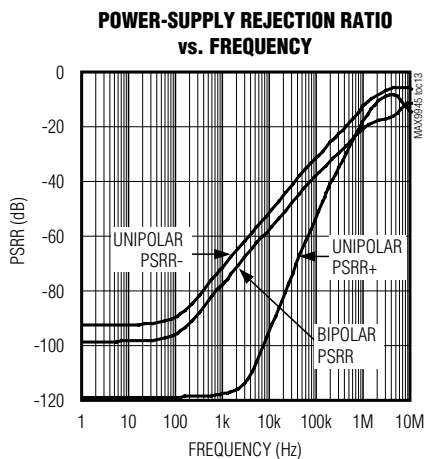
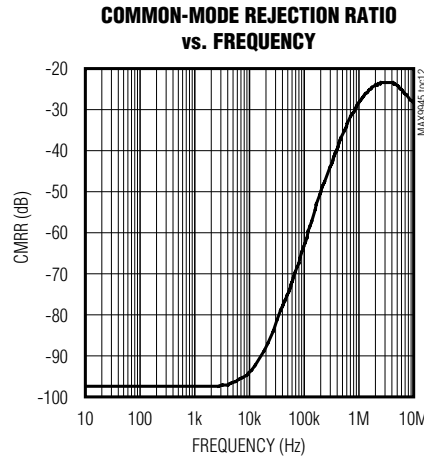
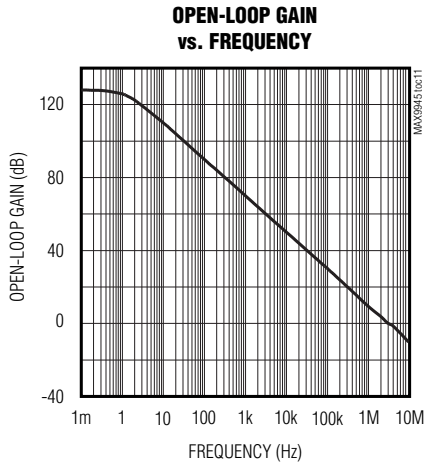
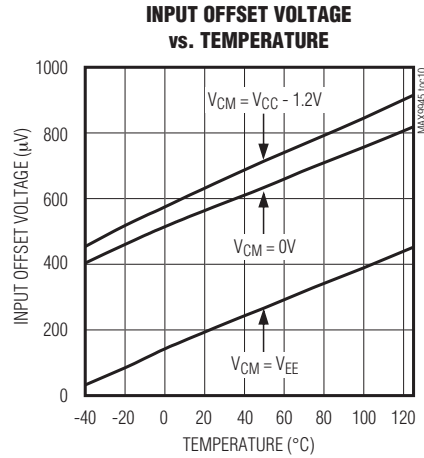
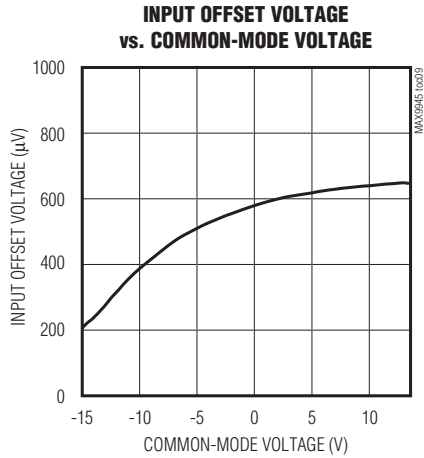


38V, Low-Noise, MOS-Input, Low-Power Op Amp

MAX9945

Typical Operating Characteristics (continued)

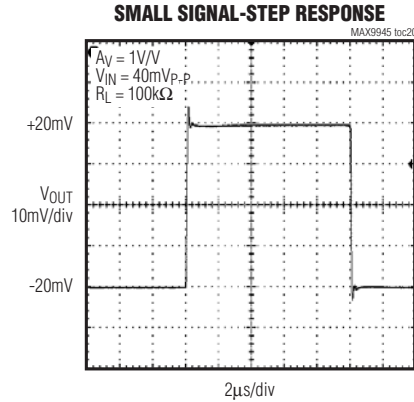
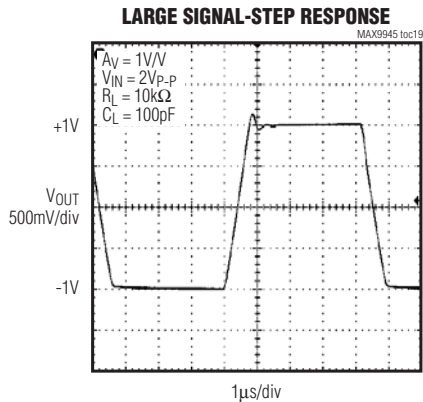
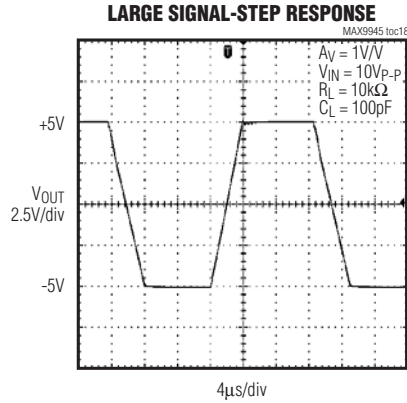
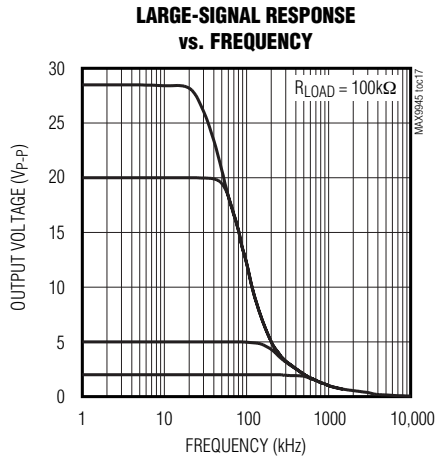
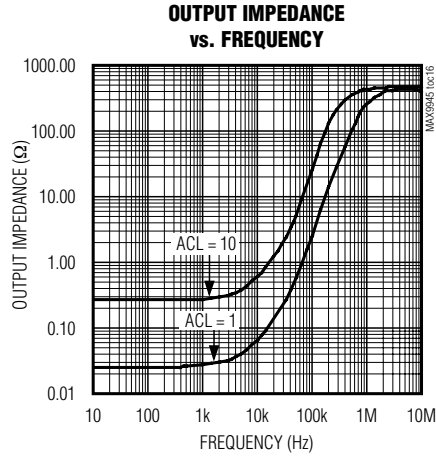
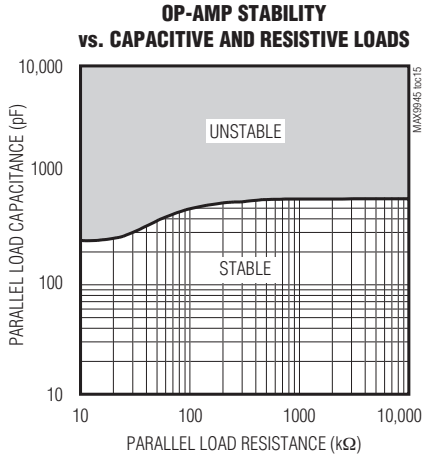
($V_{CC} = +15V$, $V_{EE} = -15V$, $V_{IN+} = V_{IN-} = V_{GND} = 0V$, $R_{OUT} = 100k\Omega$ to GND, $T_A = -40^\circ C$ to $+125^\circ C$, typical values are at $T_A = +25^\circ C$, unless otherwise noted.)



38V, Low-Noise, MOS-Input, Low-Power Op Amp

Typical Operating Characteristics (continued)

($V_{CC} = +15V$, $V_{EE} = -15V$, $V_{IN+} = V_{IN-} = V_{GND} = 0V$, $R_{OUT} = 100k\Omega$ to GND, $T_A = -40^\circ C$ to $+125^\circ C$, typical values are at $T_A = +25^\circ C$, unless otherwise noted.)



38V, Low-Noise, MOS-Input, Low-Power Op Amp

MAX9945

Pin Description

PIN		NAME	FUNCTION
TDFN-EP	μMAX		
1	6	OUT	Amplifier Output
2	4	V _{EE}	Negative Power Supply. Bypass V _{EE} with 0.1μF ceramic and 4.7μF electrolytic capacitors to quiet ground plane if different from V _{EE} .
3	3	IN+	Noninverting Amplifier Input
4	2	IN-	Inverting Amplifier Input
5	1, 5, 8	N.C.	No Connection. Not internally connected.
6	7	V _{CC}	Positive Power Supply. Bypass V _{CC} with 0.1μF ceramic and 4.7μF electrolytic capacitors to quiet ground plane or V _{EE} .
—	—	EP	Exposed Pad (TDFN Only). Connect to V _{EE} externally. Connect to a large copper plane to maximize thermal performance. Not intended as an electrical connection (TDFN only).

Detailed Description

The MAX9945 features a combination of low input current and voltage noise, rail-to-rail output voltage swing, wide supply voltage range, and low-power operation. The MOS inputs on the MAX9945 make it ideal for use as transimpedance amplifiers and high-impedance sensor interface front-ends in medical and industrial applications. The MAX9945 can interface with small signals from either current-sources or high-output impedance voltage sources. Applications include photodiode pulse oximeters, pH sensors, capacitive pressure sensors, chemical analysis equipment, smoke detectors, and humidity sensors.

A high 130dB open-loop gain (typ) and a wide supply voltage range, allow high signal-gain implementations prior to signal conditioning circuitry. Low quiescent supply current makes the MAX9945 compatible with portable systems and applications that operate under tight power budgets. The combination of excellent THD, low voltage noise, and MOS inputs also make the MAX9945 ideal for use in high-performance active filters for data acquisition systems and audio equipment.

Low-Current, Low-Noise Input Stage

The MAX9945 features a MOS-input stage with only 50fA (typ) of input bias current and a low 1fA/√Hz (typ) input current-noise density. The low-frequency input voltage noise is a low 2μV_{P-P} (typ). The input stage accepts a wide common-mode range, extending from the negative supply, V_{EE}, to within 1.2V of the positive supply, V_{CC}.

Rail-to-Rail Output Stage

The MAX9945 output stage swings to within 50mV (typ) of either power-supply rail with a 100kΩ load and provides a 3MHz GBW with a 2.2V/μs slew rate. The device is unity-gain stable, and unlike other devices with a low quiescent current, can drive a 120pF capacitive load without compromising stability.

Applications Information

High-Impedance Sensor Front Ends

High-impedance sensors can output signals of interest in either current or voltage form. The MAX9945 interfaces to both current-output sensors such as photodiodes and potentiostat sensors, and high-impedance voltage sources such as pH sensors.

For current-output sensors, a transimpedance amplifier is the most noise-efficient method for converting the input signal to a voltage. High-value feedback resistors are commonly chosen to create large gains, while feedback capacitors help stabilize the amplifier by canceling any zeros in the transfer function created by a highly capacitive sensor or cabling. A combination of low-current noise and low-voltage noise is important for these applications. Take care to calibrate out photodiode dark current if DC accuracy is important. The high bandwidth and slew rate also allows AC signal processing in certain medical photodiode sensor applications such as pulse oximetry.

38V, Low-Noise, MOS-Input, Low-Power Op Amp

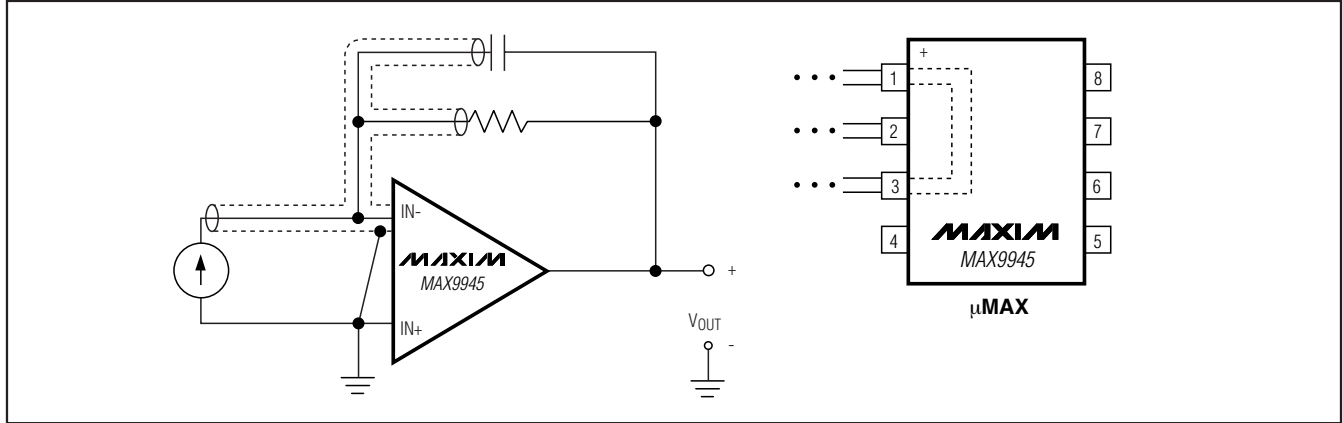


Figure 1. Shielding the Inverting Input to Reduce Leakage

For voltage-output sensors, a noninverting amplifier is typically used to buffer and/or apply a small gain to the input voltage signal. Due to the extremely high impedance of the sensor output, a low input bias current with a small temperature variation is very important for these applications.

Power-Supply Decoupling

The MAX9945 operates from a +4.75V to +38V, V_{EE} referenced power supply. Bypass the power-supply inputs V_{CC} and V_{EE} to a quiet copper ground plane, with a 0.1 μ F ceramic capacitor in parallel with a 4.7 μ F electrolytic capacitor, placed close to the leads.

Layout Techniques

A good layout is critical to obtaining high performance especially when interfacing with high-impedance sensors. Use shielding techniques to guard against parasitic leakage paths. For transimpedance applications, for example, surround the inverting input, and the traces connecting to it, with a buffered version of its own voltage. A convenient source of this voltage is the noninverting input pin. Pins 1, 5, and 8 on the μ MAX package are unconnected, and can be connected to an analog common potential, or to the driven guard potential, to reduce leakage on the inverting input.

A good layout guard rail isolates sensitive nodes, such as the inverting input of the MAX9945 and the traces connecting to it (see Figure 1), from varying or large voltage differentials that otherwise occur in the rest of the circuit board. This reduces leakage and noise effects, allowing sensitive measurements to be made accurately.

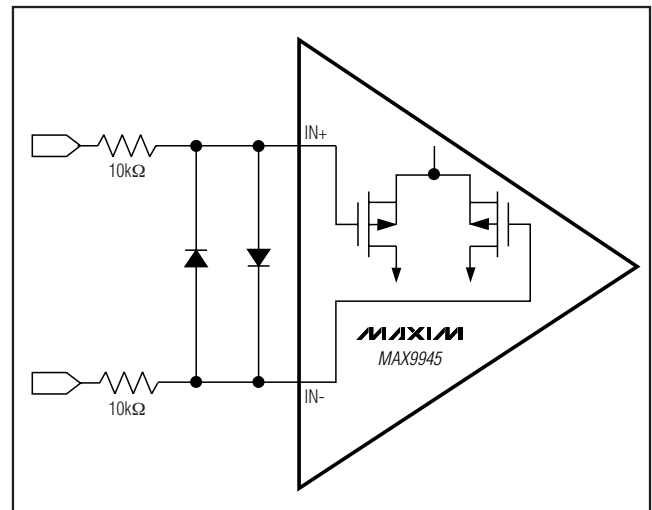


Figure 2. Input Differential Voltage Protection

Take care to also decrease the amount of stray capacitance at the op amp's inputs to improve stability. To achieve this, minimize trace lengths and resistor leads by placing external components as close as possible to the package. If the sensor is inherently capacitive, or is connected to the amplifier through a long cable, use a low-value feedback capacitor to control high-frequency gain and peaking to stabilize the feedback loop.

38V, Low-Noise, MOS-Input, Low-Power Op Amp

Input Differential Voltage Protection

During normal op-amp operation, the inverting and non-inverting inputs of the MAX9945 are at approximately the same voltage. The $\pm 12\text{V}$ absolute maximum input differential voltage rating offers sufficient protection for most applications. If there is a possibility of exceeding the input differential voltage specification, in the presence of extremely fast input voltage transients or due to certain application-specific fault conditions, use external low-leakage pico-amp diodes and series resistors to protect the input stage of the amplifier (see Figure 2). The extremely low input bias current of the MAX9945 allows a wide range of input series resistors to be used. If low input voltage noise is critical to the application, size the input series resistors appropriately.

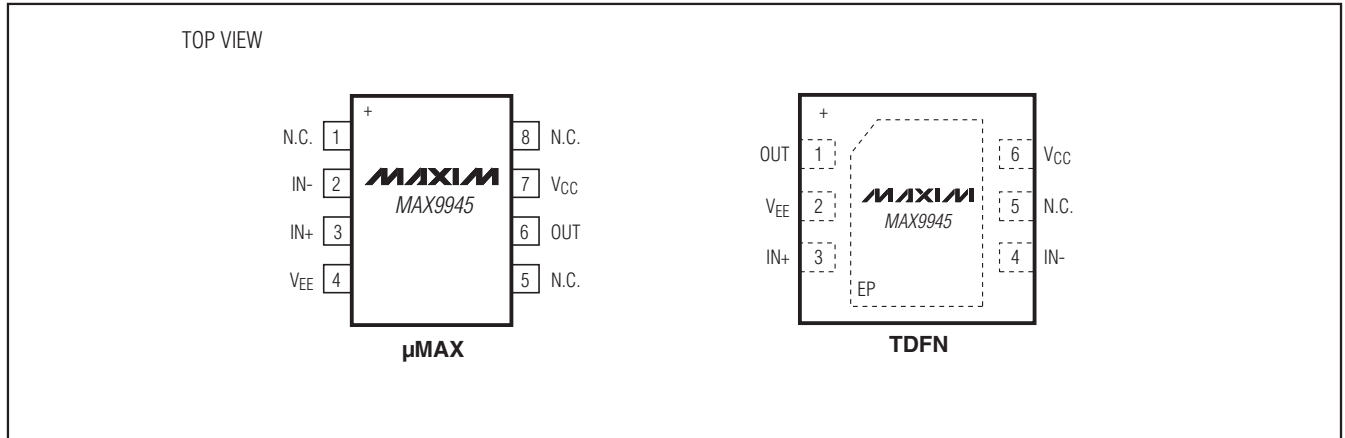
Chip Information

PROCESS: BiCMOS

MAX9945

38V, Low-Noise, MOS-Input, Low-Power Op Amp

Pin Configurations



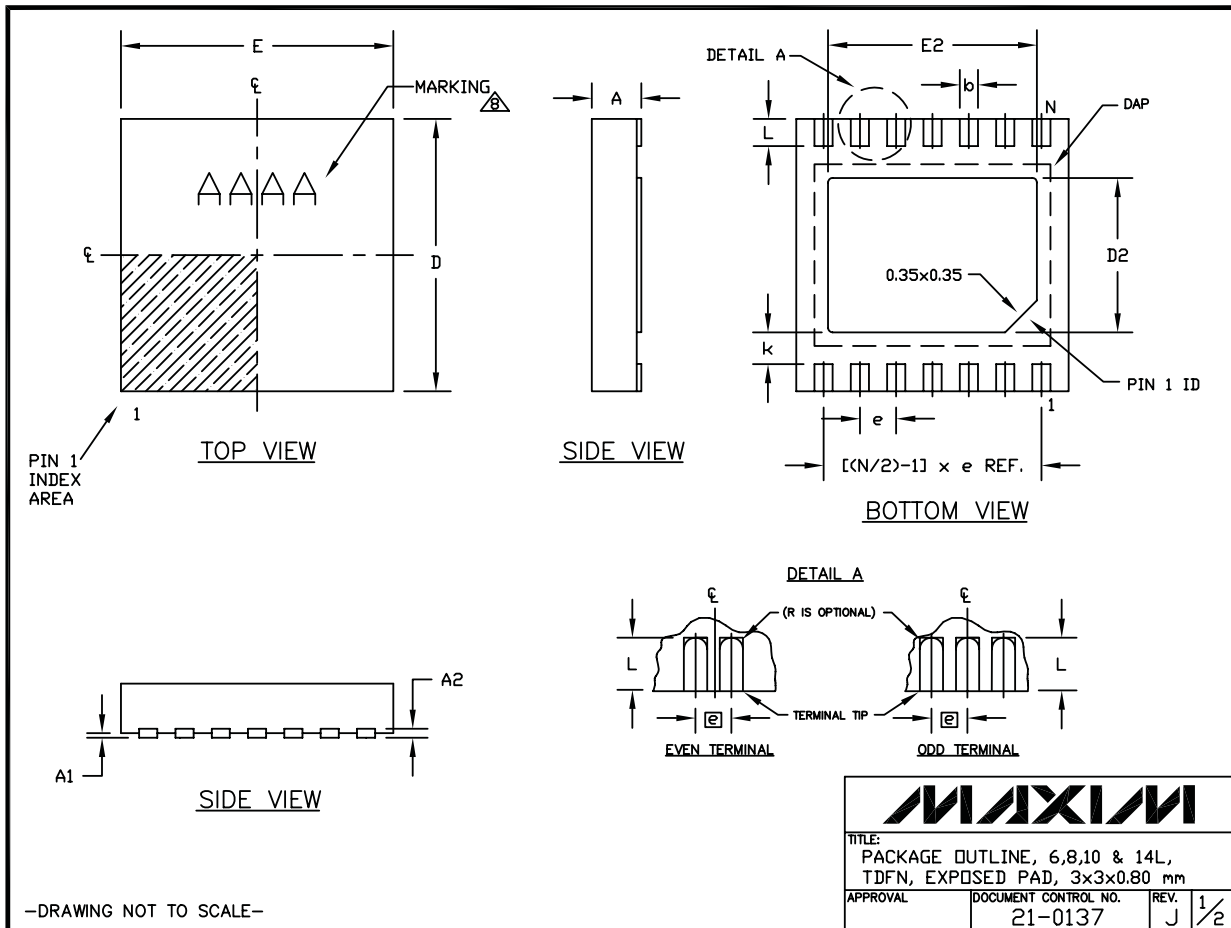
38V, Low-Noise, MOS-Input, Low-Power Op Amp

MAX9945

Package Information

For the latest package outline information and land patterns, go to www.maxim-ic.com/packages. Note that a "+", "#", or "-" in the package code indicates RoHS status only. Package drawings may show a different suffix character, but the drawing pertains to the package regardless of RoHS status.

PACKAGE TYPE	PACKAGE CODE	OUTLINE NO.	LAND PATTERN NO.
6 TDFN-EP	T633+2	21-0137	90-0058
8 μ MAX	U8+1	21-0036	90-0092



38V, Low-Noise, MOS-Input, Low-Power Op Amp

Package Information (continued)

For the latest package outline information and land patterns, go to www.maxim-ic.com/packages. Note that a "+", "#", or "-" in the package code indicates RoHS status only. Package drawings may show a different suffix character, but the drawing pertains to the package regardless of RoHS status.


COMMON DIMENSIONS		
SYMBOL	MIN.	MAX.
A	0.70	0.80
D	2.90	3.10
E	2.90	3.10
A1	0.00	0.05
L	0.20	0.40
k	0.25 MIN.	
A2	0.20 REF.	

PACKAGE VARIATIONS							
PKG. CODE	N	D2	E2	e	JEDEC SPEC	b	[(N/2)-1] x e
T633-2	6	1.50±0.10	2.30±0.10	0.95 BSC	MO229 / WEEA	0.40±0.05	1.90 REF
T833-2	8	1.50±0.10	2.30±0.10	0.65 BSC	MO229 / WEEC	0.30±0.05	1.95 REF
T833-3	8	1.50±0.10	2.30±0.10	0.65 BSC	MO229 / WEEC	0.30±0.05	1.95 REF
T1033-1	10	1.50±0.10	2.30±0.10	0.50 BSC	MO229 / WEED-3	0.25±0.05	2.00 REF
T1033MK-1	10	1.50±0.10	2.30±0.10	0.50 BSC	MO229 / WEED-3	0.25±0.05	2.00 REF
T1033-2	10	1.50±0.10	2.30±0.10	0.50 BSC	MO229 / WEED-3	0.25±0.05	2.00 REF
T1433-1	14	1.70±0.10	2.30±0.10	0.40 BSC	----	0.20±0.05	2.40 REF
T1433-2	14	1.70±0.10	2.30±0.10	0.40 BSC	----	0.20±0.05	2.40 REF
T1433-3F	14	1.70±0.10	2.30±0.10	0.40 BSC	----	0.20±0.05	2.40 REF

NOTES:

- ALL DIMENSIONS ARE IN mm. ANGLES IN DEGREES.
- COPLANARITY SHALL NOT EXCEED 0.08 mm.
- WARPAGE SHALL NOT EXCEED 0.10 mm.
- PACKAGE LENGTH/PACKAGE WIDTH ARE CONSIDERED AS SPECIAL CHARACTERISTIC(S).
- DRAWING CONFORMS TO JEDEC MO229, EXCEPT DIMENSIONS "D2" AND "E2", AND T1433-1 & T1433-2.
- "N" IS THE TOTAL NUMBER OF LEADS.
- NUMBER OF LEADS SHOWN ARE FOR REFERENCE ONLY.
- MARKING IS FOR PACKAGE ORIENTATION REFERENCE ONLY.
- ALL DIMENSIONS APPLY TO BOTH LEADED (-) AND PbFREE (+) PKG. CODES.

—DRAWING NOT TO SCALE—

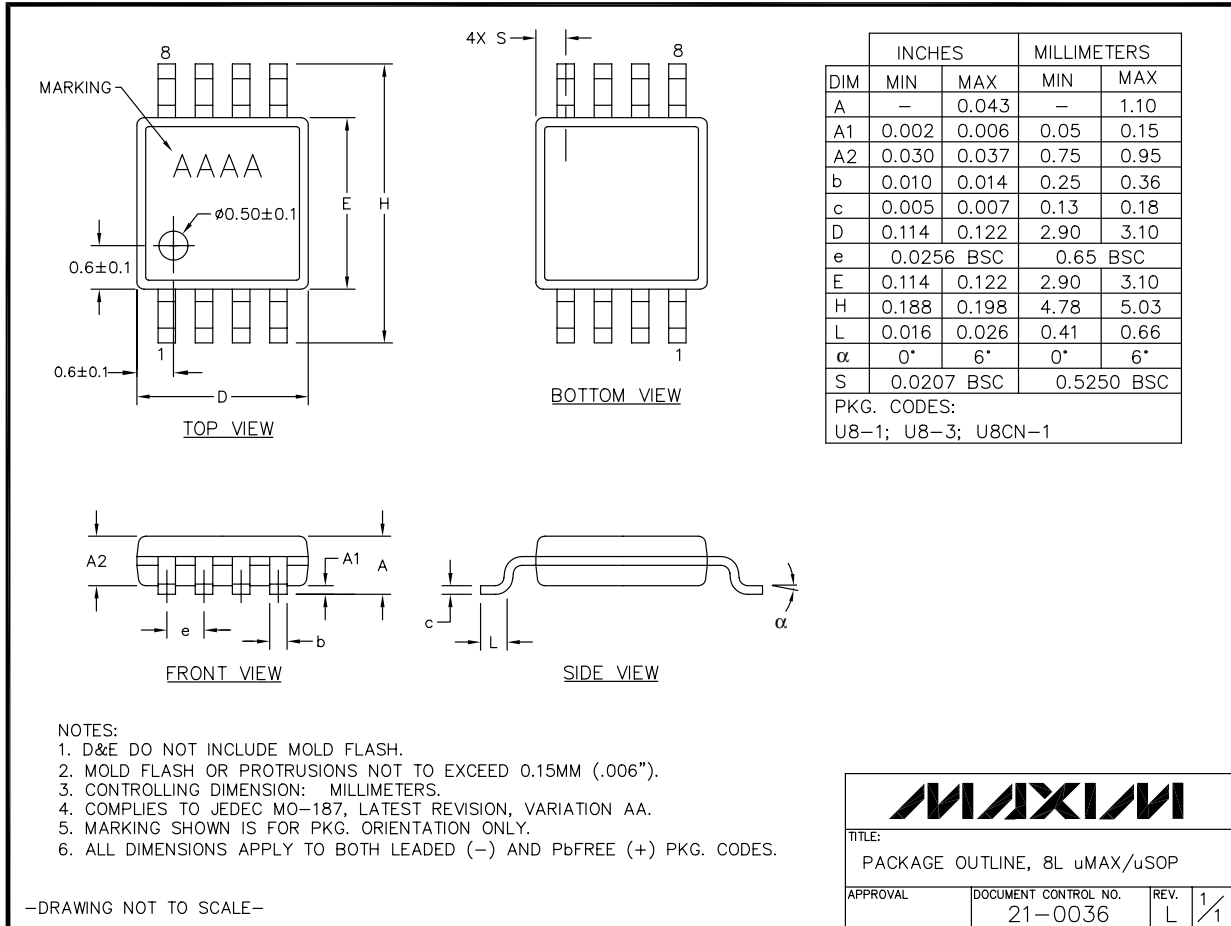
		
TITLE: PACKAGE OUTLINE, 6,8,10 & 14L, TDFN, EXPOSED PAD, 3x3x0.80 mm		
APPROVAL	DOCUMENT CONTROL NO. 21-0137	REV. J 2/2

38V, Low-Noise, MOS-Input, Low-Power Op Amp

MAX9945

Package Information (continued)

For the latest package outline information and land patterns, go to www.maxim-ic.com/packages. Note that a "+", "#", or "-" in the package code indicates RoHS status only. Package drawings may show a different suffix character, but the drawing pertains to the package regardless of RoHS status.



38V, Low-Noise, MOS-Input, Low-Power Op Amp

Revision History

REVISION NUMBER	REVISION DATE	DESCRIPTION	PAGES CHANGED
0	2/09	Initial release	—
1	12/10	Updated Input Bias Current spec in the <i>Electrical Characteristics</i> table and updated Note 3	2, 3

Maxim cannot assume responsibility for use of any circuitry other than circuitry entirely embodied in a Maxim product. No circuit patent licenses are implied. Maxim reserves the right to change the circuitry and specifications without notice at any time.

14 _____ **Maxim Integrated Products, 120 San Gabriel Drive, Sunnyvale, CA 94086 408-737-7600**

Looking for pricing, stock, or lifecycle information?

Click below to explore more details on WIN SOURCE:

 [View MAX9945AUA+](#) on WIN SOURCE

 [Maxim Integrated](#) Information

Optimize Your Supply Chain with WIN SOURCE Solutions

-  Global Sourcing Solution
-  Obsolete Management
-  Cost Control Management
-  Shortage Management
-  Alternative Solution
-  Excess Inventory Management