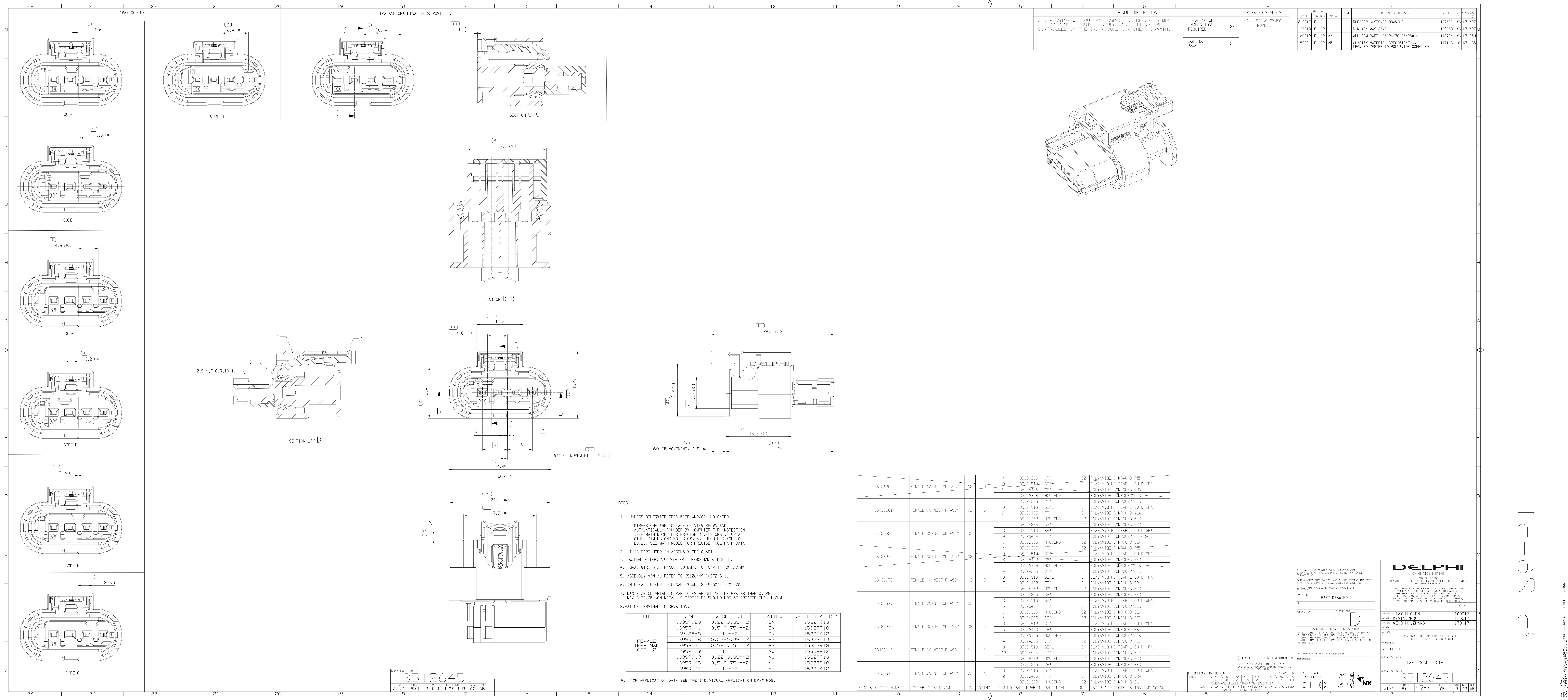




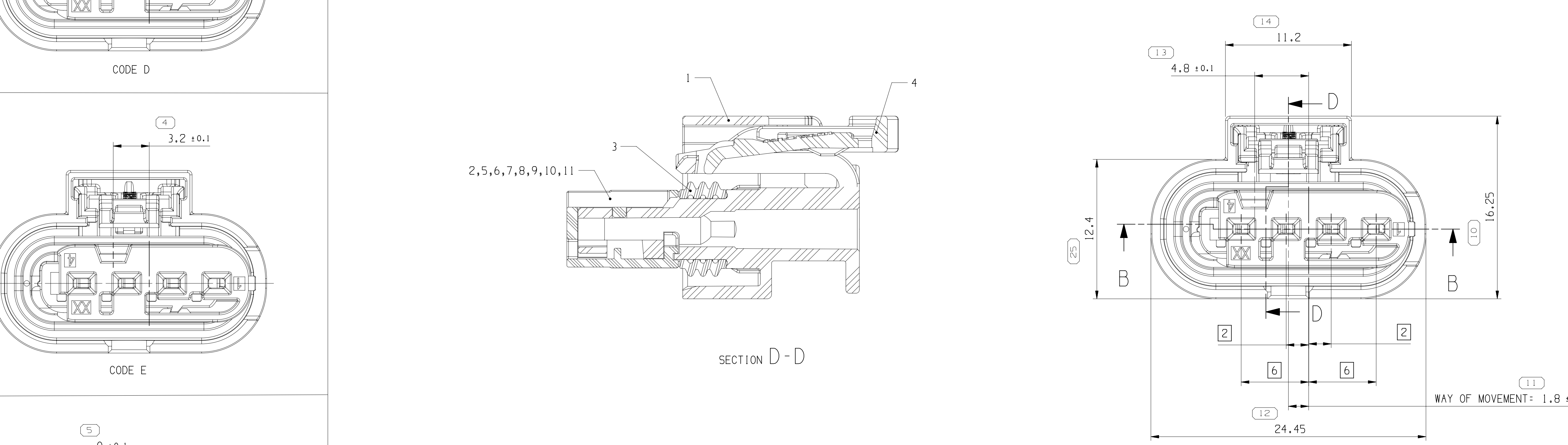
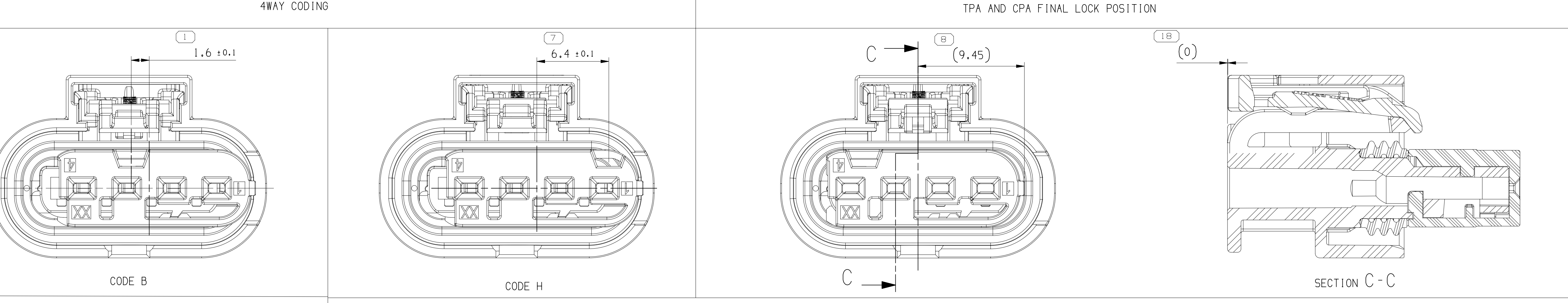
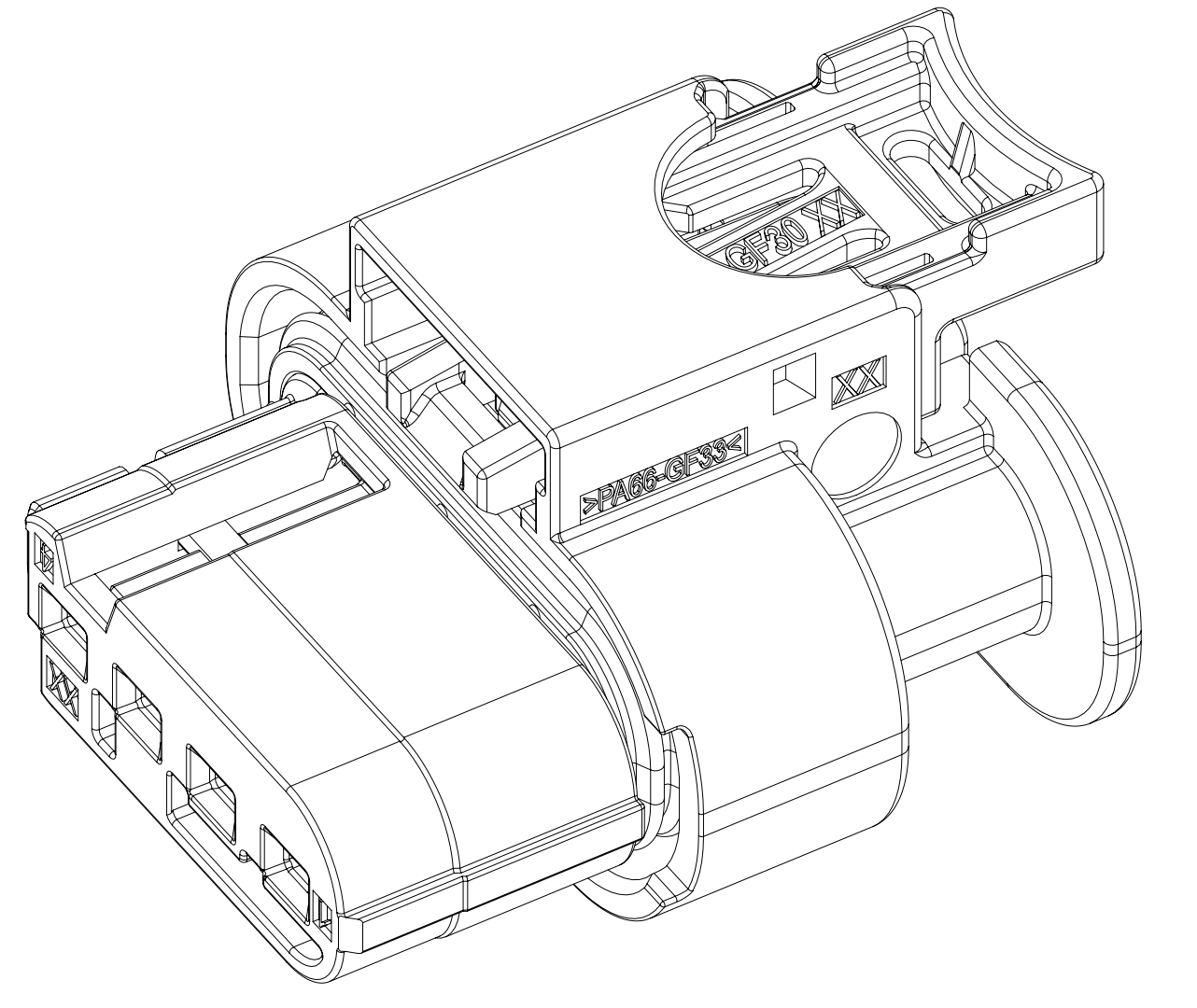
**THE DATASHEET OF
400EP18A-NBPN**





SYMBOL DEFINITION		MISSING SYMBOLS	
A DIMENSION WITHOUT AN INSPECTION REPORT SYMBOL DOES NOT REQUIRE INSPECTION, IT MAY BE CONTROLLED ON THE INDIVIDUAL COMPONENT DRAWING.	TOTAL NO. OF INSPECTIONS REQUIRED	NO MISSING SYMBOL NUMBER	
	25		
LAST NO. USED	25		

DWG STATUS				REVISION HISTORY				AUTH	
DATE	STG	REV	APP	CHG	ZONE	DESCRIPTION	DATE	BY	CHK
21SE17	R	01	-	-	-	RELEASED CUSTOMER DRAWING	437600	JYC	HZ
13AP18	R	02	-	-	-	DIM #24 WAS 26.2	439358	JYC	HZ
16DE19	R	02	AA	-	-	ADD ASM PART 35126378 35425010	442724	JYC	HZ
15SE21	R	02	AB	-	-	CLARIFY MATERIAL SPECIFICATION FROM POLYESTER TO POLYAMIDE COMPOUND	447143	LW	KZ



- NOTES
- UNLESS OTHERWISE SPECIFIED AND/OR INDICATED: DIMENSIONS ARE TO FACE OF VIEW SHOWN AND AUTOMATICALLY ROUNDED BY COMPUTER FOR INSPECTION (SEE MATH MODEL FOR PRECISE DIMENSIONS). FOR ALL OTHER DIMENSIONS NOT SHOWN BUT REQUIRED FOR TOOL BUILD, SEE MATH MODEL FOR PRECISE TOOL PATH DATA.
 - THIS PART USED IN ASSEMBLY SEE CHART.
 - SUITABLE TERMINAL SYSTEM CTS/ACON/MLX 1.2 LL.
 - MAX. WIRE SIZE RANGE 1.0 MM2, FOR CAVITY: Ø 3.5MM
 - ASSEMBLY MANUAL REFER TO 35126449-0US72-501.
 - INTERFACE REFER TO USCAR-EKCAP 120-S-004-1-Z01/202.
 - MAX SIZE OF METALLIC PARTICLES SHOULD NOT BE GREATER THAN 0.6MM. MAX SIZE OF NON-METALLIC PARTICLES SHOULD NOT BE GREATER THAN 1.0MM.
 - MATING TERMINAL INFORMATION.

TITLE	DPN	WIRE SIZE	PLATING	CABLE SEAL	DPN
FEMALE TERMINAL CTS1.2	13959120	0.22-0.35mm2	SN	15327913	
	13959141	0.5-0.75 mm2	SN	15327918	
	13948568	1 mm2	SN	15339412	
	13959118	0.22-0.35mm2	AG	15327913	
	13959121	0.5-0.75 mm2	AG	15327918	
	13959139	1 mm2	AG	15339412	
	13959119	0.22-0.35mm2	AU	15327913	
	13959145	0.5-0.75 mm2	AU	15327918	
	13959134	1 mm2	AU	15339412	

9. FOR APPLICATION DATA SEE THE INDIVIDUAL APPLICATION DRAWINGS.

ASSEMBLY PART NUMBER	ASSEMBLY PART NAME	REV.	CODING	ITEM NO	PART NUMBER	PART NAME	REV.	MATERIAL SPECIFICATION AND COLOUR
35126382	FEMALE CONNECTOR ASSY	02	H	4	35124265	CPA	02	POLYAMIDE COMPOUND-RED
				3	35121513	SEAL	01	ELAS VMO HI TEAR LIQUID GRA
				11	35126436	TPA	01	POLYAMIDE COMPOUND GRN
				1	35126358	HOUSING	02	POLYAMIDE COMPOUND BLK
				4	35124265	CPA	02	POLYAMIDE COMPOUND RED
				3	35121513	SEAL	01	ELAS VMO HI TEAR LIQUID GRA
				10	35126435	TPA	01	POLYAMIDE COMPOUND YLW
				1	35126358	HOUSING	02	POLYAMIDE COMPOUND BLK
				4	35124265	CPA	02	POLYAMIDE COMPOUND RED
				3	35121513	SEAL	01	ELAS VMO HI TEAR LIQUID GRA
35126381	FEMALE CONNECTOR ASSY	02	G	10	35126435	TPA	01	POLYAMIDE COMPOUND YLW
				1	35126358	HOUSING	02	POLYAMIDE COMPOUND BLK
				4	35124265	CPA	02	POLYAMIDE COMPOUND RED
				3	35121513	SEAL	01	ELAS VMO HI TEAR LIQUID GRA
				9	35126434	TPA	01	POLYAMIDE COMPOUND DK.GRA
				1	35126358	HOUSING	02	POLYAMIDE COMPOUND BLK
				4	35124265	CPA	02	POLYAMIDE COMPOUND RED
				3	35121513	SEAL	01	ELAS VMO HI TEAR LIQUID GRA
				8	35126433	TPA	01	POLYAMIDE COMPOUND RED
				02	35126358	HOUSING	02	POLYAMIDE COMPOUND-BLK
35126380	FEMALE CONNECTOR ASSY	02	F	4	35124265	CPA	02	POLYAMIDE COMPOUND RED
				3	35121513	SEAL	01	ELAS VMO HI TEAR LIQUID GRA
				9	35126434	TPA	01	POLYAMIDE COMPOUND DK.GRA
				1	35126358	HOUSING	02	POLYAMIDE COMPOUND BLK
				4	35124265	CPA	02	POLYAMIDE COMPOUND RED
				3	35121513	SEAL	01	ELAS VMO HI TEAR LIQUID GRA
				8	35126433	TPA	01	POLYAMIDE COMPOUND RED
				02	35126358	HOUSING	02	POLYAMIDE COMPOUND-BLK
				4	35124265	CPA	02	POLYAMIDE COMPOUND RED
				3	35121513	SEAL	01	ELAS VMO HI TEAR LIQUID GRA
35126379	FEMALE CONNECTOR ASSY	02	E	3	35121513	SEAL	01	ELAS VMO HI TEAR LIQUID GRA
				8	35126433	TPA	01	POLYAMIDE COMPOUND RED
				02	35126358	HOUSING	02	POLYAMIDE COMPOUND-BLK
				4	35124265	CPA	02	POLYAMIDE COMPOUND RED
				3	35121513	SEAL	01	ELAS VMO HI TEAR LIQUID GRA
				7	35126432	TPA	01	POLYAMIDE COMPOUND PPL
				1	35126358	HOUSING	02	POLYAMIDE COMPOUND BLK
				4	35124265	CPA	02	POLYAMIDE COMPOUND RED
				3	35121513	SEAL	01	ELAS VMO HI TEAR LIQUID GRA
				6	35126431	TPA	01	POLYAMIDE COMPOUND BLU
35126378	FEMALE CONNECTOR ASSY	02	D	4	35124265	CPA	02	POLYAMIDE COMPOUND RED
				3	35121513	SEAL	01	ELAS VMO HI TEAR LIQUID GRA
				7	35126432	TPA	01	POLYAMIDE COMPOUND PPL
				1	35126358	HOUSING	02	POLYAMIDE COMPOUND BLK
				4	35124265	CPA	02	POLYAMIDE COMPOUND RED
				3	35121513	SEAL	01	ELAS VMO HI TEAR LIQUID GRA
				6	35126431	TPA	01	POLYAMIDE COMPOUND BLU
				02	35126358	HOUSING	02	POLYAMIDE COMPOUND BLK
				4	35124265	CPA	02	POLYAMIDE COMPOUND RED
				3	35121513	SEAL	01	ELAS VMO HI TEAR LIQUID GRA
35126377	FEMALE CONNECTOR ASSY	02	C	3	35121513	SEAL	01	ELAS VMO HI TEAR LIQUID GRA
				6	35126431	TPA	01	POLYAMIDE COMPOUND BLU
				02	35126358	HOUSING	02	POLYAMIDE COMPOUND BLK
				4	35124265	CPA	02	POLYAMIDE COMPOUND RED
				3	35121513	SEAL	01	ELAS VMO HI TEAR LIQUID GRA
				5	35126430	TPA	01	POLYAMIDE COMPOUND NAT
				1	35126358	HOUSING	02	POLYAMIDE COMPOUND BLK
				4	35124265	CPA	02	POLYAMIDE COMPOUND RED
				3	35121513	SEAL	01	ELAS VMO HI TEAR LIQUID GRA
				1	35126358	HOUSING	02	POLYAMIDE COMPOUND BLK
35126376	FEMALE CONNECTOR ASSY	02	B	4	35124265	CPA	02	POLYAMIDE COMPOUND RED
				3	35121513	SEAL	01	ELAS VMO HI TEAR LIQUID GRA
				5	35126430	TPA	01	POLYAMIDE COMPOUND NAT
				1	35126358	HOUSING	02	POLYAMIDE COMPOUND BLK
				4	35124265	CPA	02	POLYAMIDE COMPOUND RED
				3	35121513	SEAL	01	ELAS VMO HI TEAR LIQUID GRA
				12	35424986	TPA	01	POLYAMIDE COMPOUND BLK
				1	35126358	HOUSING	02	POLYAMIDE COMPOUND BLK
				4	35124265	CPA	02	POLYAMIDE COMPOUND RED
				3	35121513	SEAL	01	ELAS VMO HI TEAR LIQUID GRA
35425010	FEMALE CONNECTOR ASSY	01	A	3	35121513	SEAL	01	ELAS VMO HI TEAR LIQUID GRA
				12	35424986	TPA	01	POLYAMIDE COMPOUND BLK
				1	35126358	HOUSING	02	POLYAMIDE COMPOUND BLK
				4	35124265	CPA	02	POLYAMIDE COMPOUND RED
				3	35121513	SEAL	01	ELAS VMO HI TEAR LIQUID GRA
				2	35126428	TPA	01	POLYAMIDE COMPOUND GRA
				1	35126358	HOUSING	02	POLYAMIDE COMPOUND BLK
				4	35124265	CPA	02	POLYAMIDE COMPOUND RED
				3	35121513	SEAL	01	ELAS VMO HI TEAR LIQUID GRA
				2	35126428	TPA	01	POLYAMIDE COMPOUND GRA
35126375	FEMALE CONNECTOR ASSY	02	A	1	35126358	HOUSING	02	POLYAMIDE COMPOUND BLK
				2	35126428	TPA	01	POLYAMIDE COMPOUND GRA
				1	35126358	HOUSING	02	POLYAMIDE COMPOUND BLK

VIEW	SCALE	FRAME NO	SHEET NO	TOTAL SHEETS	REV	APP
1:1	5:1	2	OF 11	1	OF 11	R 02 AB



DATE	BY	CHK	DATE
170617	JYATUN, CHEN		
170617	KEYLIN, ZHOU		
170617	WEIDONG, ZHANG		

DELPHI CONNECTION SYSTEMS						
DR	JYATUN, CHEN					
APPROV	KEYLIN, ZHOU					
APPROV	WEIDONG, ZHANG					
DATE	170617					
SUBSTANCES OF CONCERN AND RECYCLED CONTENT: PEEK APPLIC. 10040010						
SEE CHART						
DRAWING NUMBER: TAXI CONN CTS						
DRAWING NUMBER: 35126451						
SIZE	SCALE	FRAME NO	SHEET NO	TOTAL SHEETS	REV	APP
A1x3	5:1	1	OF 11	1	OF 11	R 02 AB

12465123

Looking for pricing, stock, or lifecycle information?

Click below to explore more details on WIN SOURCE:

-  [View 400EP18A-NBPN on WIN SOURCE](#)
-  [Pro-Wave Electronics Information](#)

Optimize Your Supply Chain with WIN SOURCE Solutions

-  Global Sourcing Solution
-  Obsolete Management
-  Cost Control Management
-  Shortage Management
-  Alternative Solution
-  Excess Inventory Management