



**THE DATASHEET OF  
MC7912ACD2T**



# Negative Voltage Regulators

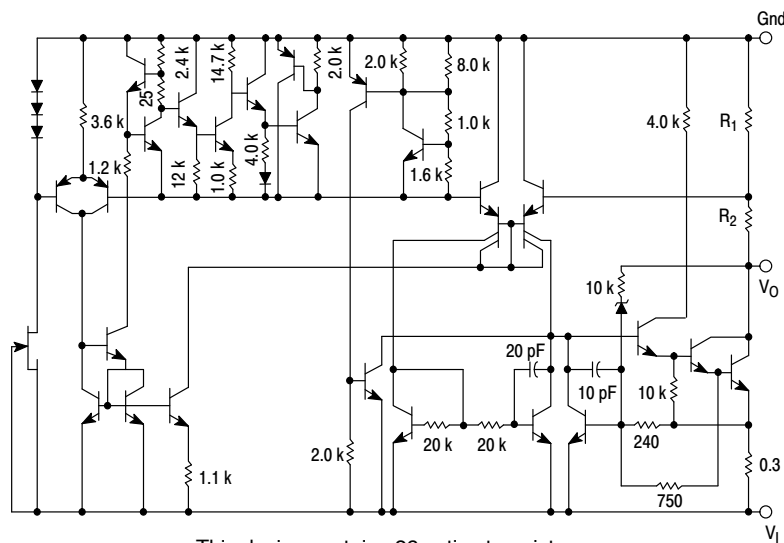
1.0 A

## MC7900 Series

The MC7900 series of fixed output negative voltage regulators are intended as complements to the popular MC7800 series devices. These negative regulators are available in the same seven-voltage options as the MC7800 devices. In addition, one extra voltage option commonly employed in MECL systems is also available in the negative MC7900 series.

Available in fixed output voltage options from -5.0 V to -24 V, these regulators employ current limiting, thermal shutdown, and safe-area compensation – making them remarkably rugged under most operating conditions. With adequate heatsinking they can deliver output currents in excess of 1.0 A.

- No External Components Required
- Internal Thermal Overload Protection
- Internal Short Circuit Current Limiting
- Output Transistor Safe-Area Compensation
- Available in 2% Voltage Tolerance (See Ordering Information)
- Pb-Free Package May be Available. The G-Suffix Denotes a Pb-Free Lead Finish

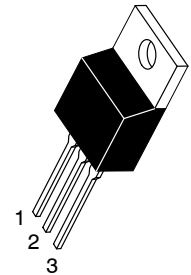


This device contains 26 active transistors.

Figure 1. Representative Schematic Diagram

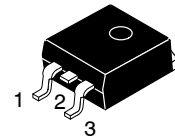
TO-220  
T SUFFIX  
CASE 221AB

Heatsink surface  
connected to Pin 2.



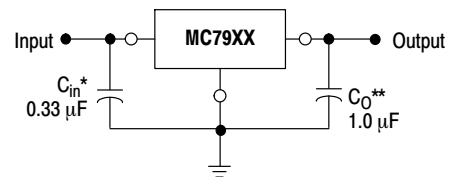
Pin 1. Ground  
2. Input  
3. Output

D<sup>2</sup>PAK  
D2T SUFFIX  
CASE 936



Heatsink surface (shown as terminal 4 in  
case outline drawing) is connected to Pin 2.

### STANDARD APPLICATION



A common ground is required between the input and the output voltages. The input voltage must remain typically 2.0 V above more negative even during the high point of the input ripple voltage.

XX, These two digits of the type number indicate nominal voltage.

\*  $C_{in}$  is required if regulator is located an appreciable distance from power supply filter.

\*\*  $C_O$  improve stability and transient response.

### ORDERING INFORMATION

See detailed ordering and shipping information in the package dimensions section on page 11 of this data sheet.

### DEVICE MARKING INFORMATION

See general marking information in the device marking section on page 12 of this data sheet.

## MC7900 Series

### MAXIMUM RATINGS ( $T_A = +25^\circ\text{C}$ , unless otherwise noted.)

| Rating  | Symbol   | Value  | Unit   |
|---|--|--|--|
| Input Voltage ( $-5.0\text{ V} \geq V_O \geq -18\text{ V}$ )<br>(24 V)  | $V_I$  | -35<br>-40   | Vdc  |
| Power Dissipation<br>Case 221A<br>$T_A = +25^\circ\text{C}$<br>Thermal Resistance, Junction-to-Ambient<br>Thermal Resistance, Junction-to-Case<br>Case 936 (D <sup>2</sup> PAK)<br>$T_A = +25^\circ\text{C}$<br>Thermal Resistance, Junction-to-Ambient<br>Thermal Resistance, Junction-to-Case | $P_D$<br>$\theta_{JA}$<br>$\theta_{JC}$<br>$P_D$<br>$\theta_{JA}$<br>$\theta_{JC}$ | Internally Limited<br>65<br>5.0<br>Internally Limited<br>70<br>5.0 | W<br>$^\circ\text{C/W}$<br>$^\circ\text{C/W}$<br>W<br>$^\circ\text{C/W}$<br>$^\circ\text{C/W}$ |
| Storage Junction Temperature Range  | $T_{stg}$  | -65 to +150  | $^\circ\text{C}$   |
| Junction Temperature  | $T_J$  | +150   | $^\circ\text{C}$   |

Stresses exceeding those listed in the Maximum Ratings table may damage the device. If any of these limits are exceeded, device functionality should not be assumed, damage may occur and reliability may be affected.

\*This device series contains ESD protection and exceeds the following tests:

Human Body Model 2000 V per MIL\_STD\_883, Method 3015  
Machine Model Method 200 V

### MC7905B, MC7905C

#### ELECTRICAL CHARACTERISTICS ( $V_I = -10\text{ V}$ , $I_O = 500\text{ mA}$ , $T_{low}^* < T_J < +125^\circ\text{C}$ , unless otherwise noted.)

| Characteristics  | Symbol                  | Min    | Typ        | Max        | Unit                       |
|--|-------------------------|--------|------------|------------|----------------------------|
| Output Voltage ( $T_J = +25^\circ\text{C}$ )   | $V_O$                   | -4.8   | -5.0       | -5.2       | Vdc                        |
| Line Regulation (Note 1)<br>( $T_J = +25^\circ\text{C}$ , $I_O = 100\text{ mA}$ )<br>$-7.0\text{ Vdc} \geq V_I \geq -25\text{ Vdc}$<br>$-8.0\text{ Vdc} \geq V_I \geq -12\text{ Vdc}$<br>( $T_J = +25^\circ\text{C}$ , $I_O = 500\text{ mA}$ )<br>$-7.0\text{ Vdc} \geq V_I \geq -25\text{ Vdc}$<br>$-8.0\text{ Vdc} \geq V_I \geq -12\text{ Vdc}$ | $\text{Reg}_{line}$     | -<br>- | 7.0<br>2.0 | 50<br>25   | mV                         |
| Load Regulation, $T_J = +25^\circ\text{C}$ (Note 1)<br>$5.0\text{ mA} \leq I_O \leq 1.5\text{ A}$<br>$250\text{ mA} \leq I_O \leq 750\text{ mA}$   | $\text{Reg}_{load}$     | -<br>- | 11<br>4.0  | 100<br>50  | mV                         |
| Output Voltage<br>$-7.0\text{ Vdc} \geq V_I \geq -20\text{ Vdc}$ , $5.0\text{ mA} \leq I_O \leq 1.0\text{ A}$ , $P \leq 15\text{ W}$   | $V_O$                   | -4.75  | -          | -5.25      | Vdc                        |
| Input Bias Current ( $T_J = +25^\circ\text{C}$ )   | $I_{IB}$                | -      | 4.3        | 8.0        | mA                         |
| Input Bias Current Change<br>$-7.0\text{ Vdc} \geq V_I \geq -25\text{ Vdc}$<br>$5.0\text{ mA} \leq I_O \leq 1.5\text{ A}$  | $\Delta I_{IB}$         | -<br>- | -<br>-     | 1.3<br>0.5 | mA                         |
| Output Noise Voltage ( $T_A = +25^\circ\text{C}$ , $10\text{ Hz} \leq f \leq 100\text{ kHz}$ )   | $V_n$                   | -      | 40         | -          | $\mu\text{V}$              |
| Ripple Rejection ( $I_O = 20\text{ mA}$ , $f = 120\text{ Hz}$ )  | RR                      | -      | 70         | -          | dB                         |
| Dropout Voltage<br>$I_O = 1.0\text{ A}$ , $T_J = +25^\circ\text{C}$  | $V_I - V_O$             | -      | 1.3        | -          | Vdc                        |
| Average Temperature Coefficient of Output Voltage<br>$I_O = 5.0\text{ mA}$ , $T_{low}^* \leq T_J \leq +125^\circ\text{C}$  | $\Delta V_O / \Delta T$ | -      | -1.0       | -          | $\text{mV}/^\circ\text{C}$ |

1. Load and line regulation are specified at constant junction temperature. Changes in  $V_O$  due to heating effects must be taken into account separately. Pulse testing with low duty cycle is used.

\* $T_{low} = -40^\circ\text{C}$  for MC7905B and  $T_{low} = 0^\circ\text{C}$  for MC7905C.

## MC7900 Series

### MC7905AC

**ELECTRICAL CHARACTERISTICS** ( $V_I = -10\text{ V}$ ,  $I_O = 500\text{ mA}$ ,  $0^\circ\text{C} < T_J < +125^\circ\text{C}$ , unless otherwise noted.)

| Characteristics   | Symbol                     | Min   | Typ                      | Max                  | Unit                       |
|---|----------------------------|-------|--------------------------|----------------------|----------------------------|
| Output Voltage ( $T_J = +25^\circ\text{C}$ )  | $V_O$                      | -4.9  | -5.0                     | -5.1                 | Vdc                        |
| Line Regulation (Note 2)<br>-8.0 Vdc $\geq V_I \geq -12\text{ Vdc}$ ; $I_O = 1.0\text{ A}$ , $T_J = +25^\circ\text{C}$<br>-8.0 Vdc $\geq V_I \geq -12\text{ Vdc}$ ; $I_O = 1.0\text{ A}$<br>-7.5 Vdc $\geq V_I \geq -25\text{ Vdc}$ ; $I_O = 500\text{ mA}$<br>-7.0 Vdc $\geq V_I \geq -20\text{ Vdc}$ ; $I_O = 1.0\text{ A}$ , $T_J = +25^\circ\text{C}$ | $\text{Reg}_{\text{line}}$ | -     | 2.0<br>7.0<br>7.0<br>6.0 | 25<br>50<br>50<br>50 | mV                         |
| Load Regulation (Note 2)<br>$5.0\text{ mA} \leq I_O \leq 1.5\text{ A}$ , $T_J = +25^\circ\text{C}$<br>$250\text{ mA} \leq I_O \leq 750\text{ mA}$<br>$5.0\text{ mA} \leq I_O \leq 1.0\text{ A}$   | $\text{Reg}_{\text{load}}$ | -     | 11<br>4.0<br>9.0         | 100<br>50<br>100     | mV                         |
| Output Voltage<br>-7.5 Vdc $\geq V_I \geq -20\text{ Vdc}$ , $5.0\text{ mA} \leq I_O \leq 1.0\text{ A}$ , $P \leq 15\text{ W}$   | $V_O$                      | -4.80 | -                        | -5.20                | Vdc                        |
| Input Bias Current  | $I_{IB}$                   | -     | 4.4                      | 8.0                  | mA                         |
| Input Bias Current Change<br>-7.5 Vdc $\geq V_I \geq -25\text{ Vdc}$<br>$5.0\text{ mA} \leq I_O \leq 1.0\text{ A}$<br>$5.0\text{ mA} \leq I_O \leq 1.5\text{ A}$ , $T_J = +25^\circ\text{C}$  | $\Delta I_{IB}$            | -     | -                        | 1.3<br>0.5<br>0.5    | mA                         |
| Output Noise Voltage ( $T_A = +25^\circ\text{C}$ , $10\text{ Hz} \leq f \leq 100\text{ kHz}$ )  | $V_n$                      | -     | 40                       | -                    | $\mu\text{V}$              |
| Ripple Rejection ( $I_O = \text{mA}$ , $f = 120\text{ Hz}$ )  | RR                         | -     | 70                       | -                    | dB                         |
| Dropout Voltage ( $I_O = 1.0\text{ A}$ , $T_J = +25^\circ\text{C}$ )  | $V_I - V_O$                | -     | 1.3                      | -                    | Vdc                        |
| Average Temperature Coefficient of Output Voltage<br>$I_O = 5.0\text{ mA}$ , $0^\circ\text{C} \leq T_J \leq +125^\circ\text{C}$   | $\Delta V_O / \Delta T$    | -     | -1.0                     | -                    | $\text{mV}/^\circ\text{C}$ |

### MC7905.2C

**ELECTRICAL CHARACTERISTICS** ( $V_I = -10\text{ V}$ ,  $I_O = 500\text{ mA}$ ,  $0^\circ\text{C} < T_J < +125^\circ\text{C}$ , unless otherwise noted.)

| Characteristics  | Symbol                     | Min   | Typ                     | Max                   | Unit                       |
|--|----------------------------|-------|-------------------------|-----------------------|----------------------------|
| Output Voltage ( $T_J = +25^\circ\text{C}$ )   | $V_O$                      | -5.0  | -5.2                    | -5.4                  | Vdc                        |
| Line Regulation (Note 2)<br>( $T_J = +25^\circ\text{C}$ , $I_O = 100\text{ mA}$ )<br>-7.2 Vdc $\geq V_I \geq -25\text{ Vdc}$<br>-8.0 Vdc $\geq V_I \geq -12\text{ Vdc}$<br>( $T_J = +25^\circ\text{C}$ , $I_O = 500\text{ mA}$ )<br>-7.2 Vdc $\geq V_I \geq -25\text{ Vdc}$<br>-8.0 Vdc $\geq V_I \geq -12\text{ Vdc}$ | $\text{Reg}_{\text{line}}$ | -     | 8.0<br>2.2<br>37<br>8.5 | 52<br>27<br>105<br>52 | mV                         |
| Load Regulation, $T_J = +25^\circ\text{C}$ (Note 2)<br>$5.0\text{ mA} \leq I_O \leq 1.5\text{ A}$<br>$250\text{ mA} \leq I_O \leq 750\text{ mA}$   | $\text{Reg}_{\text{load}}$ | -     | 12<br>4.5               | 105<br>52             | mV                         |
| Output Voltage<br>-7.2 Vdc $\geq V_I \geq -20\text{ Vdc}$ , $5.0\text{ mA} \leq I_O \leq 1.0\text{ A}$ , $P \leq 15\text{ W}$  | $V_O$                      | -4.95 | -                       | -5.45                 | Vdc                        |
| Input Bias Current ( $T_J = +25^\circ\text{C}$ )   | $I_{IB}$                   | -     | 4.3                     | 8.0                   | mA                         |
| Input Bias Current Change<br>-7.2 Vdc $\geq V_I \geq -25\text{ Vdc}$<br>$5.0\text{ mA} \leq I_O \leq 1.5\text{ A}$   | $\Delta I_{IB}$            | -     | -                       | 1.3<br>0.5            | mA                         |
| Output Noise Voltage ( $T_A = +25^\circ\text{C}$ , $10\text{ Hz} \leq f \leq 100\text{ kHz}$ )   | $V_n$                      | -     | 42                      | -                     | $\mu\text{V}$              |
| Ripple Rejection ( $I_O = 20\text{ mA}$ , $f = 120\text{ Hz}$ )  | RR                         | -     | 68                      | -                     | dB                         |
| Dropout Voltage ( $I_O = 1.0\text{ A}$ , $T_J = +25^\circ\text{C}$ )   | $V_I - V_O$                | -     | 1.3                     | -                     | Vdc                        |
| Average Temperature Coefficient of Output Voltage<br>$I_O = 5.0\text{ mA}$ , $0^\circ\text{C} \leq T_J \leq +125^\circ\text{C}$  | $\Delta V_O / \Delta T$    | -     | -1.0                    | -                     | $\text{mV}/^\circ\text{C}$ |

2. Load and line regulation are specified at constant junction temperature. Changes in  $V_O$  due to heating effects must be taken into account separately. Pulse testing with low duty cycle is used.

## MC7900 Series

### MC7906C

**ELECTRICAL CHARACTERISTICS** ( $V_I = -11\text{ V}$ ,  $I_O = 500\text{ mA}$ ,  $0^\circ\text{C} < T_J < +125^\circ\text{C}$ , unless otherwise noted.)

| Characteristics  | Symbol                     | Min   | Typ        | Max        | Unit                       |
|--|----------------------------|-------|------------|------------|----------------------------|
| Output Voltage ( $T_J = +25^\circ\text{C}$ )   | $V_O$                      | -5.75 | -6.0       | -6.25      | Vdc                        |
| Line Regulation (Note 3)<br>( $T_J = +25^\circ\text{C}$ , $I_O = 100\text{ mA}$ )<br>-8.0 Vdc $\geq V_I \geq -25\text{ Vdc}$<br>-9.0 Vdc $\geq V_I \geq -13\text{ Vdc}$<br>( $T_J = +25^\circ\text{C}$ , $I_O = 500\text{ mA}$ )<br>-8.0 Vdc $\geq V_I \geq -25\text{ Vdc}$<br>-9.0 Vdc $\geq V_I \geq -13\text{ Vdc}$ | $\text{Reg}_{\text{line}}$ | -     | 9.0<br>3.0 | 60<br>30   | mV                         |
| Load Regulation, $T_J = +25^\circ\text{C}$ (Note 3)<br>$5.0\text{ mA} \leq I_O \leq 1.5\text{ A}$<br>$250\text{ mA} \leq I_O \leq 750\text{ mA}$   | $\text{Reg}_{\text{load}}$ | -     | 13<br>5.0  | 120<br>60  | mV                         |
| Output Voltage<br>-8.0 Vdc $\geq V_I \geq -21\text{ Vdc}$ , $5.0\text{ mA} \leq I_O \leq 1.0\text{ A}$ , $P \leq 15\text{ W}$  | $V_O$                      | -5.7  | -          | -6.3       | Vdc                        |
| Input Bias Current ( $T_J = +25^\circ\text{C}$ )   | $I_{\text{IB}}$            | -     | 4.3        | 8.0        | mA                         |
| Input Bias Current Change<br>-8.0 Vdc $\geq V_I \geq -25\text{ Vdc}$<br>$5.0\text{ mA} \leq I_O \leq 1.5\text{ A}$   | $\Delta I_{\text{IB}}$     | -     | -          | 1.3<br>0.5 | mA                         |
| Output Noise Voltage ( $T_A = +25^\circ\text{C}$ , $10\text{ Hz} \leq f \leq 100\text{ kHz}$ )   | $V_n$                      | -     | 45         | -          | $\mu\text{V}$              |
| Ripple Rejection ( $I_O = 20\text{ mA}$ , $f = 120\text{ Hz}$ )  | RR                         | -     | 65         | -          | dB                         |
| Dropout Voltage ( $I_O = 1.0\text{ A}$ , $T_J = +25^\circ\text{C}$ )   | $V_I - V_O$                | -     | 1.3        | -          | Vdc                        |
| Average Temperature Coefficient of Output Voltage<br>$I_O = 5.0\text{ mA}$ , $0^\circ\text{C} \leq T_J \leq +125^\circ\text{C}$  | $\Delta V_O / \Delta T$    | -     | -1.0       | -          | $\text{mV}/^\circ\text{C}$ |

### MC7908C

**ELECTRICAL CHARACTERISTICS** ( $V_I = -14\text{ V}$ ,  $I_O = 500\text{ mA}$ ,  $0^\circ\text{C} < T_J < +125^\circ\text{C}$ , unless otherwise noted.)

| Characteristics  | Symbol                     | Min  | Typ       | Max        | Unit                       |
|--|----------------------------|------|-----------|------------|----------------------------|
| Output Voltage ( $T_J = +25^\circ\text{C}$ )   | $V_O$                      | -7.7 | -8.0      | -8.3       | Vdc                        |
| Line Regulation (Note 3)<br>( $T_J = +25^\circ\text{C}$ , $I_O = 100\text{ mA}$ )<br>-10.5 Vdc $\geq V_I \geq -25\text{ Vdc}$<br>-11 Vdc $\geq V_I \geq -17\text{ Vdc}$<br>( $T_J = +25^\circ\text{C}$ , $I_O = 500\text{ mA}$ )<br>-10.5 Vdc $\geq V_I \geq -25\text{ Vdc}$<br>-11 Vdc $\geq V_I \geq -17\text{ Vdc}$ | $\text{Reg}_{\text{line}}$ | -    | 12<br>5.0 | 80<br>40   | mV                         |
| Load Regulation, $T_J = +25^\circ\text{C}$ (Note 3)<br>$5.0\text{ mA} \leq I_O \leq 1.5\text{ A}$<br>$250\text{ mA} \leq I_O \leq 750\text{ mA}$   | $\text{Reg}_{\text{load}}$ | -    | 26<br>9.0 | 160<br>80  | mV                         |
| Output Voltage<br>-10.5 Vdc $\geq V_I \geq -23\text{ Vdc}$ , $5.0\text{ mA} \leq I_O \leq 1.0\text{ A}$ , $P \leq 15\text{ W}$   | $V_O$                      | -7.6 | -         | -8.4       | Vdc                        |
| Input Bias Current ( $T_J = +25^\circ\text{C}$ )   | $I_{\text{IB}}$            | -    | 4.3       | 8.0        | mA                         |
| Input Bias Current Change<br>-10.5 Vdc $\geq V_I \geq -25\text{ Vdc}$<br>$5.0\text{ mA} \leq I_O \leq 1.5\text{ A}$  | $\Delta I_{\text{IB}}$     | -    | -         | 1.0<br>0.5 | mA                         |
| Output Noise Voltage ( $T_A = +25^\circ\text{C}$ , $10\text{ Hz} \leq f \leq 100\text{ kHz}$ )   | $V_n$                      | -    | 52        | -          | $\mu\text{V}$              |
| Ripple Rejection ( $I_O = 20\text{ mA}$ , $f = 120\text{ Hz}$ )  | RR                         | -    | 62        | -          | dB                         |
| Dropout Voltage ( $I_O = 1.0\text{ A}$ , $T_J = +25^\circ\text{C}$ )   | $V_I - V_O$                | -    | 1.3       | -          | Vdc                        |
| Average Temperature Coefficient of Output Voltage<br>$I_O = 5.0\text{ mA}$ , $0^\circ\text{C} \leq T_J \leq +125^\circ\text{C}$  | $\Delta V_O / \Delta T$    | -    | -1.0      | -          | $\text{mV}/^\circ\text{C}$ |

3. Load and line regulation are specified at constant junction temperature. Changes in  $V_O$  due to heating effects must be taken into account separately. Pulse testing with low duty cycle is used.

## MC7900 Series

### MC7912B, MC7912C

**ELECTRICAL CHARACTERISTICS** ( $V_I = -19\text{ V}$ ,  $I_O = 500\text{ mA}$ ,  $T_{low}^* < T_J < +125^\circ\text{C}$ , unless otherwise noted.)

| Characteristics  | Symbol                  | Min   | Typ       | Max        | Unit                       |
|--|-------------------------|-------|-----------|------------|----------------------------|
| Output Voltage ( $T_J = +25^\circ\text{C}$ )   | $V_O$                   | -11.5 | -12       | -12.5      | Vdc                        |
| Line Regulation (Note 4)<br>( $T_J = +25^\circ\text{C}$ , $I_O = 100\text{ mA}$ )<br>-14.5 Vdc $\geq V_I \geq -30\text{ Vdc}$<br>-16 Vdc $\geq V_I \geq -22\text{ Vdc}$<br>( $T_J = +25^\circ\text{C}$ , $I_O = 500\text{ mA}$ )<br>-14.5 Vdc $\geq V_I \geq -30\text{ Vdc}$<br>-16 Vdc $\geq V_I \geq -22\text{ Vdc}$ | $Reg_{line}$            | -     | 13<br>6.0 | 120<br>60  | mV                         |
| Load Regulation, $T_J = +25^\circ\text{C}$ (Note 4)<br>$5.0\text{ mA} \leq I_O \leq 1.5\text{ A}$<br>$250\text{ mA} \leq I_O \leq 750\text{ mA}$   | $Reg_{load}$            | -     | 46<br>17  | 240<br>120 | mV                         |
| Output Voltage<br>-14.5 Vdc $\geq V_I \geq -27\text{ Vdc}$ , $5.0\text{ mA} \leq I_O \leq 1.0\text{ A}$ , $P \leq 15\text{ W}$   | $V_O$                   | -11.4 | -         | -12.6      | Vdc                        |
| Input Bias Current ( $T_J = +25^\circ\text{C}$ )   | $I_{IB}$                | -     | 4.4       | 8.0        | mA                         |
| Input Bias Current Change<br>-14.5 Vdc $\geq V_I \geq -30\text{ Vdc}$<br>$5.0\text{ mA} \leq I_O \leq 1.5\text{ A}$  | $\Delta I_{IB}$         | -     | -         | 1.0<br>0.5 | mA                         |
| Output Noise Voltage ( $T_A = +25^\circ\text{C}$ , $10\text{ Hz} \leq f \leq 100\text{ kHz}$ )   | $V_n$                   | -     | 75        | -          | $\mu\text{V}$              |
| Ripple Rejection ( $I_O = 20\text{ mA}$ , $f = 120\text{ Hz}$ )  | RR                      | -     | 61        | -          | dB                         |
| Dropout Voltage ( $I_O = 1.0\text{ A}$ , $T_J = +25^\circ\text{C}$ )   | $V_I - V_O$             | -     | 1.3       | -          | Vdc                        |
| Average Temperature Coefficient of Output Voltage<br>$I_O = 5.0\text{ mA}$ , $T_{low}^* \leq T_J \leq +125^\circ\text{C}$  | $\Delta V_O / \Delta T$ | -     | -1.0      | -          | $\text{mV}/^\circ\text{C}$ |

### MC7912AC

**ELECTRICAL CHARACTERISTICS** ( $V_I = -19\text{ V}$ ,  $I_O = 500\text{ mA}$ ,  $T_{low}^* < T_J < +125^\circ\text{C}$ , unless otherwise noted.)

| Characteristics   | Symbol                  | Min    | Typ                   | Max                     | Unit                       |
|---|-------------------------|--------|-----------------------|-------------------------|----------------------------|
| Output Voltage ( $T_J = +25^\circ\text{C}$ )  | $V_O$                   | -11.75 | -12                   | -12.25                  | Vdc                        |
| Line Regulation (Note 4)<br>-16 Vdc $\geq V_I \geq -22\text{ Vdc}$ ; $I_O = 1.0\text{ A}$ , $T_J = +25^\circ\text{C}$<br>-16 Vdc $\geq V_I \geq -22\text{ Vdc}$ ; $I_O = 1.0\text{ A}$<br>-14.8 Vdc $\geq V_I \geq -30\text{ Vdc}$ ; $I_O = 500\text{ mA}$<br>-14.5 Vdc $\geq V_I \geq -27\text{ Vdc}$ ; $I_O = 1.0\text{ A}$ , $T_J = +25^\circ\text{C}$ | $Reg_{line}$            | -      | 6.0<br>24<br>24<br>13 | 60<br>120<br>120<br>120 | mV                         |
| Load Regulation (Note 4)<br>$5.0\text{ mA} \leq I_O \leq 1.5\text{ A}$ , $T_J = +25^\circ\text{C}$<br>$250\text{ mA} \leq I_O \leq 750\text{ mA}$<br>$5.0\text{ mA} \leq I_O \leq 1.0\text{ A}$   | $Reg_{load}$            | -      | 46<br>17<br>35        | 150<br>75<br>150        | mV                         |
| Output Voltage<br>-14.8 Vdc $\geq V_I \geq -27\text{ Vdc}$ , $5.0\text{ mA} \leq I_O \leq 1.0\text{ A}$ , $P \leq 15\text{ W}$  | $V_O$                   | -11.5  | -                     | -12.5                   | Vdc                        |
| Input Bias Current  | $I_{IB}$                | -      | 4.4                   | 8.0                     | mA                         |
| Input Bias Current Change<br>-15 Vdc $\geq V_I \geq -30\text{ Vdc}$<br>$5.0\text{ mA} \leq I_O \leq 1.0\text{ A}$<br>$5.0\text{ mA} \leq I_O \leq 1.5\text{ A}$ , $T_J = +25^\circ\text{C}$   | $\Delta I_{IB}$         | -      | -                     | 0.8<br>0.5<br>0.5       | mA                         |
| Output Noise Voltage ( $T_A = +25^\circ\text{C}$ , $10\text{ Hz} \leq f \leq 100\text{ kHz}$ )  | $V_n$                   | -      | 75                    | -                       | $\mu\text{V}$              |
| Ripple Rejection ( $I_O = 20\text{ mA}$ , $f = 120\text{ Hz}$ )   | RR                      | -      | 61                    | -                       | dB                         |
| Dropout Voltage ( $I_O = 1.0\text{ A}$ , $T_J = +25^\circ\text{C}$ )  | $V_I - V_O$             | -      | 1.3                   | -                       | Vdc                        |
| Average Temperature Coefficient of Output Voltage<br>$I_O = 5.0\text{ mA}$ , $T_{low}^* \leq T_J \leq +125^\circ\text{C}$   | $\Delta V_O / \Delta T$ | -      | -1.0                  | -                       | $\text{mV}/^\circ\text{C}$ |

4. Load and line regulation are specified at constant junction temperature. Changes in  $V_O$  due to heating effects must be taken into account separately. Pulse testing with low duty cycle is used.

\* $T_{low} = -40^\circ\text{C}$  for MC7912B and  $T_{low} = 0^\circ\text{C}$  for MC7912C.

## MC7900 Series

### MC7915B, MC7915C

**ELECTRICAL CHARACTERISTICS** ( $V_I = -23\text{ V}$ ,  $I_O = 500\text{ mA}$ ,  $T_{low}^* < T_J < +125^\circ\text{C}$ , unless otherwise noted.)

| Characteristics  | Symbol                  | Min    | Typ       | Max        | Unit                       |
|--|-------------------------|--------|-----------|------------|----------------------------|
| Output Voltage ( $T_J = +25^\circ\text{C}$ )   | $V_O$                   | -14.4  | -15       | -15.6      | Vdc                        |
| Line Regulation (Note 5)<br>( $T_J = +25^\circ\text{C}$ , $I_O = 100\text{ mA}$ )<br>-17.5 Vdc $\geq V_I \geq -30\text{ Vdc}$<br>-20 Vdc $\geq V_I \geq -26\text{ Vdc}$<br>( $T_J = +25^\circ\text{C}$ , $I_O = 500\text{ mA}$ )<br>-17.5 Vdc $\geq V_I \geq -30\text{ Vdc}$<br>-20 Vdc $\geq V_I \geq -26\text{ Vdc}$ | $Reg_{line}$            | -      | 14<br>6.0 | 150<br>75  | mV                         |
| Load Regulation, $T_J = +25^\circ\text{C}$ (Note 5)<br>$5.0\text{ mA} \leq I_O \leq 1.5\text{ A}$<br>$250\text{ mA} \leq I_O \leq 750\text{ mA}$   | $Reg_{load}$            | -      | 68<br>25  | 300<br>150 | mV                         |
| Output Voltage<br>-17.5 Vdc $\geq V_I \geq -30\text{ Vdc}$ , $5.0\text{ mA} \leq I_O \leq 1.0\text{ A}$ , $P \leq 15\text{ W}$   | $V_O$                   | -14.25 | -         | -15.75     | Vdc                        |
| Input Bias Current ( $T_J = +25^\circ\text{C}$ )   | $I_{IB}$                | -      | 4.4       | 8.0        | mA                         |
| Input Bias Current Change<br>-17.5 Vdc $\geq V_I \geq -30\text{ Vdc}$<br>$5.0\text{ mA} \leq I_O \leq 1.5\text{ A}$  | $\Delta I_{IB}$         | -      | -         | 1.0<br>0.5 | mA                         |
| Output Noise Voltage ( $T_A = +25^\circ\text{C}$ , $10\text{ Hz} \leq f \leq 100\text{ kHz}$ )   | $V_n$                   | -      | 90        | -          | $\mu\text{V}$              |
| Ripple Rejection ( $I_O = 20\text{ mA}$ , $f = 120\text{ Hz}$ )  | RR                      | -      | 60        | -          | dB                         |
| Dropout Voltage ( $I_O = 1.0\text{ A}$ , $T_J = +25^\circ\text{C}$ )   | $V_I - V_O$             | -      | 1.3       | -          | Vdc                        |
| Average Temperature Coefficient of Output Voltage<br>$I_O = 5.0\text{ mA}$ , $T_{low}^* \leq T_J \leq +125^\circ\text{C}$  | $\Delta V_O / \Delta T$ | -      | -1.0      | -          | $\text{mV}/^\circ\text{C}$ |

### MC7915AC

**ELECTRICAL CHARACTERISTICS** ( $V_I = -23\text{ V}$ ,  $I_O = 500\text{ mA}$ ,  $T_{low}^* < T_J < +125^\circ\text{C}$ , unless otherwise noted.)

| Characteristics   | Symbol                  | Min   | Typ                  | Max                     | Unit                       |
|---|-------------------------|-------|----------------------|-------------------------|----------------------------|
| Output Voltage ( $T_J = +25^\circ\text{C}$ )  | $V_O$                   | -14.7 | -15                  | -15.3                   | Vdc                        |
| Line Regulation (Note 5)<br>-20 Vdc $\geq V_I \geq -26\text{ Vdc}$ , $I_O = 1.0\text{ A}$ , $T_J = +25^\circ\text{C}$<br>-20 Vdc $\geq V_I \geq -26\text{ Vdc}$ , $I_O = 1.0\text{ A}$ ,<br>-17.9 Vdc $\geq V_I \geq -30\text{ Vdc}$ , $I_O = 500\text{ mA}$<br>-17.5 Vdc $\geq V_I \geq -30\text{ Vdc}$ , $I_O = 1.0\text{ A}$ , $T_J = +25^\circ\text{C}$ | $Reg_{line}$            | -     | 27<br>57<br>57<br>57 | 75<br>150<br>150<br>150 | mV                         |
| Load Regulation (Note 5)<br>$5.0\text{ mA} \leq I_O \leq 1.5\text{ A}$ , $T_J = +25^\circ\text{C}$<br>$250\text{ mA} \leq I_O \leq 750\text{ mA}$<br>$5.0\text{ mA} \leq I_O \leq 1.0\text{ A}$   | $Reg_{load}$            | -     | 68<br>25<br>40       | 150<br>75<br>150        | mV                         |
| Output Voltage<br>-17.9 Vdc $\geq V_I \geq -30\text{ Vdc}$ , $5.0\text{ mA} \leq I_O \leq 1.0\text{ A}$ , $P \leq 15\text{ W}$  | $V_O$                   | -14.4 | -                    | -15.6                   | Vdc                        |
| Input Bias Current  | $I_{IB}$                | -     | 4.4                  | 8.0                     | mA                         |
| Input Bias Current Change<br>-17.5 Vdc $\geq V_I \geq -30\text{ Vdc}$<br>$5.0\text{ mA} \leq I_O \leq 1.0\text{ A}$<br>$5.0\text{ mA} \leq I_O \leq 1.5\text{ A}$ , $T_J = +25^\circ\text{C}$   | $\Delta I_{IB}$         | -     | -                    | 0.8<br>0.5<br>0.5       | mA                         |
| Output Noise Voltage ( $T_A = +25^\circ\text{C}$ , $10\text{ Hz} \leq f \leq 100\text{ kHz}$ )  | $V_n$                   | -     | 90                   | -                       | $\mu\text{V}$              |
| Ripple Rejection ( $I_O = 20\text{ mA}$ , $f = 120\text{ Hz}$ )   | RR                      | -     | 60                   | -                       | dB                         |
| Dropout Voltage ( $I_O = 1.0\text{ A}$ , $T_J = +25^\circ\text{C}$ )  | $V_I - V_O$             | -     | 1.3                  | -                       | Vdc                        |
| Average Temperature Coefficient of Output Voltage<br>$I_O = 5.0\text{ mA}$ , $T_{low}^* \leq T_J \leq +125^\circ\text{C}$   | $\Delta V_O / \Delta T$ | -     | -1.0                 | -                       | $\text{mV}/^\circ\text{C}$ |

5. Load and line regulation are specified at constant junction temperature. Changes in  $V_O$  due to heating effects must be taken into account separately. Pulse testing with low duty cycle is used.

\* $T_{low} = -40^\circ\text{C}$  for MC7915B and  $T_{low} = 0^\circ\text{C}$  for MC7915C.

## MC7900 Series

### MC7918C

**ELECTRICAL CHARACTERISTICS** ( $V_I = -27\text{ V}$ ,  $I_O = 500\text{ mA}$ ,  $0^\circ\text{C} < T_J < +125^\circ\text{C}$ , unless otherwise noted.)

| Characteristics  | Symbol                     | Min   | Typ       | Max        | Unit                       |
|--|----------------------------|-------|-----------|------------|----------------------------|
| Output Voltage ( $T_J = +25^\circ\text{C}$ )   | $V_O$                      | -17.3 | -18       | -18.7      | Vdc                        |
| Line Regulation (Note 6)<br>( $T_J = +25^\circ\text{C}$ , $I_O = 100\text{ mA}$ )<br>-21 Vdc $\geq V_I \geq -33\text{ Vdc}$<br>-24 Vdc $\geq V_I \geq -30\text{ Vdc}$<br>( $T_J = +25^\circ\text{C}$ , $I_O = 500\text{ mA}$ )<br>-21 Vdc $\geq V_I \geq -33\text{ Vdc}$<br>-24 Vdc $\geq V_I \geq -30\text{ Vdc}$ | $\text{Reg}_{\text{line}}$ | -     | 25<br>10  | 180<br>90  | mV                         |
| Load Regulation, $T_J = +25^\circ\text{C}$ (Note 6)<br>$5.0\text{ mA} \leq I_O \leq 1.5\text{ A}$<br>$250\text{ mA} \leq I_O \leq 750\text{ mA}$   | $\text{Reg}_{\text{load}}$ | -     | 110<br>55 | 360<br>180 | mV                         |
| Output Voltage<br>-21 Vdc $\geq V_I \geq -33\text{ Vdc}$ , $5.0\text{ mA} \leq I_O \leq 1.0\text{ A}$ , $P \leq 15\text{ W}$   | $V_O$                      | -17.1 | -         | -18.9      | Vdc                        |
| Input Bias Current ( $T_J = +25^\circ\text{C}$ )   | $I_{\text{IB}}$            | -     | 4.5       | 8.0        | mA                         |
| Input Bias Current Change<br>-21 Vdc $\geq V_I \geq -33\text{ Vdc}$<br>$5.0\text{ mA} \leq I_O \leq 1.5\text{ A}$  | $\Delta I_{\text{IB}}$     | -     | -         | 1.0<br>0.5 | mA                         |
| Output Noise Voltage ( $T_A = +25^\circ\text{C}$ , $10\text{ Hz} \leq f \leq 100\text{ kHz}$ )   | $V_n$                      | -     | 110       | -          | $\mu\text{V}$              |
| Ripple Rejection ( $I_O = 20\text{ mA}$ , $f = 120\text{ Hz}$ )  | RR                         | -     | 59        | -          | dB                         |
| Dropout Voltage ( $I_O = 1.0\text{ A}$ , $T_J = +25^\circ\text{C}$ )   | $V_I - V_O$                | -     | 1.3       | -          | Vdc                        |
| Average Temperature Coefficient of Output Voltage<br>$I_O = 5.0\text{ mA}$ , $0^\circ\text{C} \leq T_J \leq +125^\circ\text{C}$  | $\Delta V_O / \Delta T$    | -     | -1.0      | -          | $\text{mV}/^\circ\text{C}$ |

### MC7924B, MC7924C

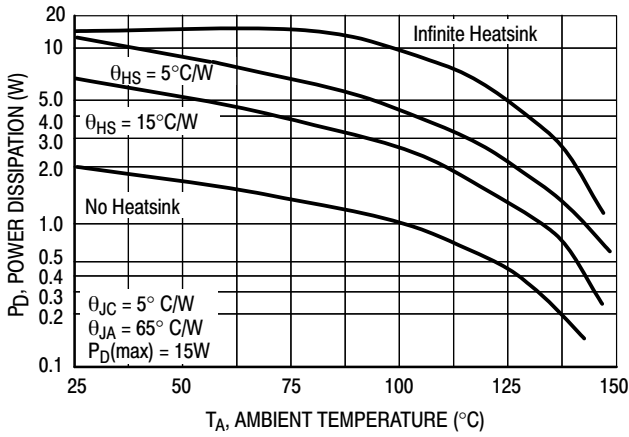
**ELECTRICAL CHARACTERISTICS** ( $V_I = -33\text{ V}$ ,  $I_O = 500\text{ mA}$ ,  $T_{\text{low}}^* < T_J < +125^\circ\text{C}$ , unless otherwise noted.)

| Characteristics  | Symbol                     | Min   | Typ       | Max        | Unit                       |
|--|----------------------------|-------|-----------|------------|----------------------------|
| Output Voltage ( $T_J = +25^\circ\text{C}$ )   | $V_O$                      | -23   | -24       | -25        | Vdc                        |
| Line Regulation (Note 6)<br>( $T_J = +25^\circ\text{C}$ , $I_O = 100\text{ mA}$ )<br>-27 Vdc $\geq V_I \geq -38\text{ Vdc}$<br>-30 Vdc $\geq V_I \geq -36\text{ Vdc}$<br>( $T_J = +25^\circ\text{C}$ , $I_O = 500\text{ mA}$ )<br>-27 Vdc $\geq V_I \geq -38\text{ Vdc}$<br>-30 Vdc $\geq V_I \geq -36\text{ Vdc}$ | $\text{Reg}_{\text{line}}$ | -     | 31<br>14  | 240<br>120 | mV                         |
| Load Regulation, $T_J = +25^\circ\text{C}$ (Note 6)<br>$5.0\text{ mA} \leq I_O \leq 1.5\text{ A}$<br>$250\text{ mA} \leq I_O \leq 750\text{ mA}$   | $\text{Reg}_{\text{load}}$ | -     | 150<br>85 | 480<br>240 | mV                         |
| Output Voltage<br>-27 Vdc $\geq V_I \geq -38\text{ Vdc}$ , $5.0\text{ mA} \leq I_O \leq 1.0\text{ A}$ , $P \leq 15\text{ W}$   | $V_O$                      | -22.8 | -         | -25.2      | Vdc                        |
| Input Bias Current ( $T_J = +25^\circ\text{C}$ )   | $I_{\text{IB}}$            | -     | 4.6       | 8.0        | mA                         |
| Input Bias Current Change<br>-27 Vdc $\geq V_I \geq -38\text{ Vdc}$<br>$5.0\text{ mA} \leq I_O \leq 1.5\text{ A}$  | $\Delta I_{\text{IB}}$     | -     | -         | 1.0<br>0.5 | mA                         |
| Output Noise Voltage ( $T_A = +25^\circ\text{C}$ , $10\text{ Hz} \leq f \leq 100\text{ kHz}$ )   | $V_n$                      | -     | 170       | -          | $\mu\text{V}$              |
| Ripple Rejection ( $I_O = 20\text{ mA}$ , $f = 120\text{ Hz}$ )  | RR                         | -     | 56        | -          | dB                         |
| Dropout Voltage ( $I_O = 1.0\text{ A}$ , $T_J = +25^\circ\text{C}$ )   | $V_I - V_O$                | -     | 1.3       | -          | Vdc                        |
| Average Temperature Coefficient of Output Voltage<br>$I_O = 5.0\text{ mA}$ , $T_{\text{low}}^* \leq T_J \leq +125^\circ\text{C}$   | $\Delta V_O / \Delta T$    | -     | -1.0      | -          | $\text{mV}/^\circ\text{C}$ |

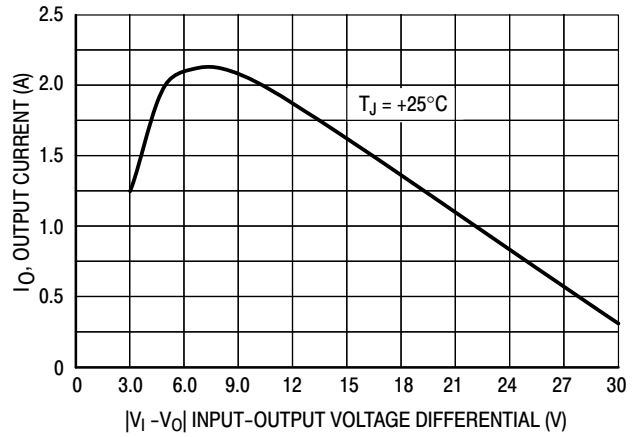
6. Load and line regulation are specified at constant junction temperature. Changes in  $V_O$  due to heating effects must be taken into account separately. Pulse testing with low duty cycle is used.

\* $T_{\text{low}} = -40^\circ\text{C}$  for MC7924B and  $T_{\text{low}} = 0^\circ\text{C}$  for MC7924C.

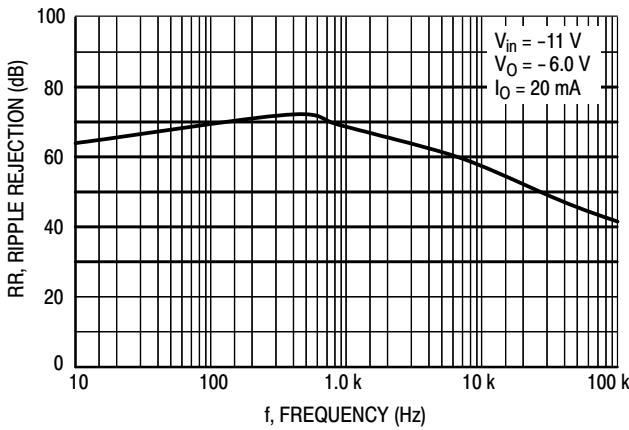
# MC7900 Series



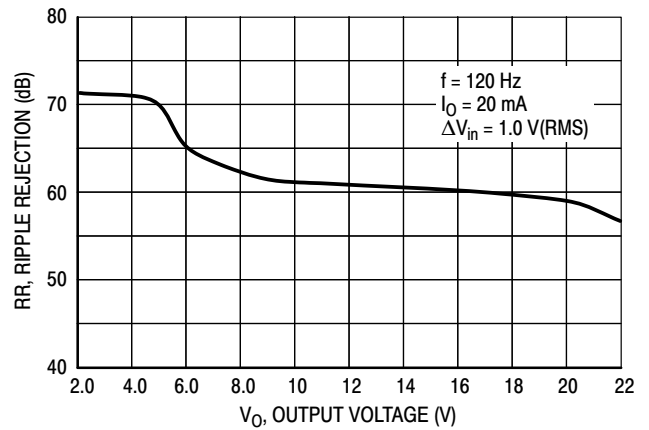
**Figure 2. Worst Case Power Dissipation as a Function of Ambient Temperature**



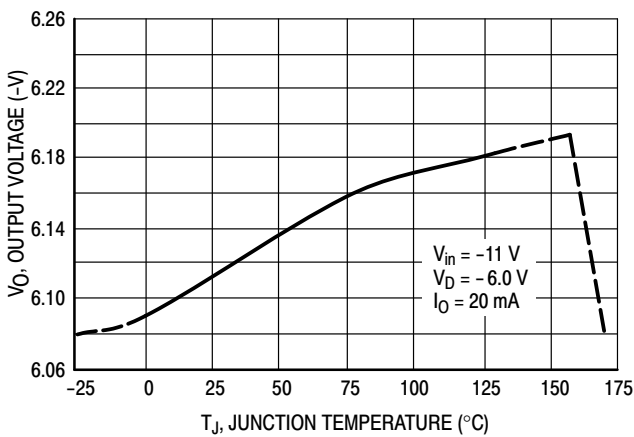
**Figure 3. Peak Output Current as a Function of Input-Output Differential Voltage**



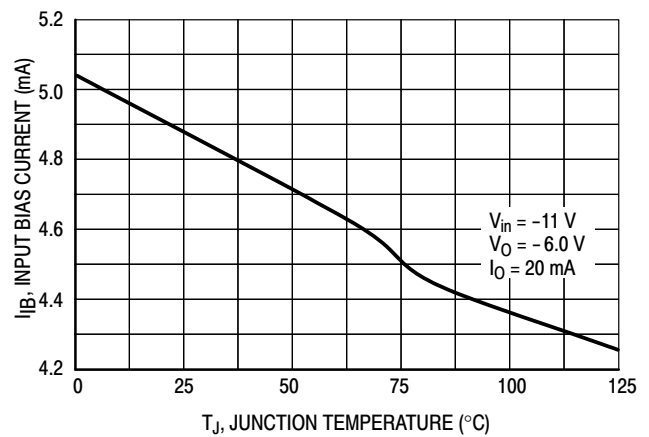
**Figure 4. Ripple Rejection as a Function of Frequency**



**Figure 5. Ripple Rejection as a Function of Output Voltage**



**Figure 6. Output Voltage as a Function of Junction Temperature**



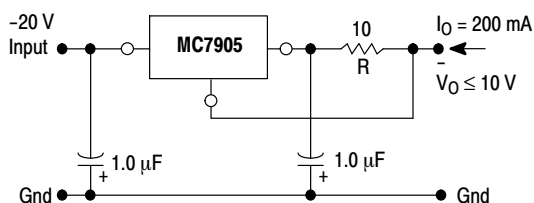
**Figure 7. Quiescent Current as a Function of Temperature**

## APPLICATIONS INFORMATION

### Design Considerations

The MC7900 Series of fixed voltage regulators are designed with Thermal overload Protection that shuts down the circuit when subjected to an excessive power overload condition. Internal Short Circuit Protection that limits the maximum current the circuit will pass, and Output Transistor Safe-Area Compensation that reduces the output short circuit current as the voltage across the pass transistor is increased.

In many low current applications, compensation capacitors are not required. However, it is recommended that the regulator input be bypassed with a capacitor if the regulator is connected to the power supply filter with long wire lengths, or if the output load capacitance is large. An input bypass capacitor should be selected to provide good high-frequency characteristics to insure stable operation under all load conditions. A 0.33  $\mu\text{F}$  or larger tantalum, mylar, or other capacitor having low internal impedance at high frequencies should be chosen. The capacitor chosen should have an equivalent series resistance of less than 0.7  $\Omega$ . The bypass capacitor should be mounted with the shortest possible leads directly across the regulators input terminals. Normally good construction techniques should be used to minimize ground loops and lead resistance drops since the regulator has no external sense lead. Bypassing the output is also recommended.

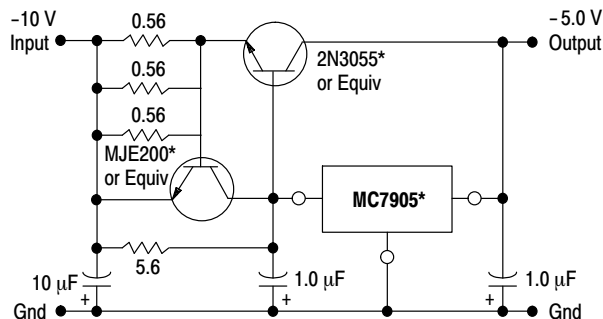


**Figure 8. Current Regulator**

The MC7905, -5.0 V regulator can be used as a constant current source when connected as above. The output current is the sum of resistor R current and quiescent bias current as follows:

$$I_O = \frac{5.0 \text{ V}}{R} + I_B$$

The quiescent current for this regulator is typically 4.3 mA. The 5.0 V regulator was chosen to minimize dissipation and to allow the output voltage to operate to within 6.0 V below the input voltage.

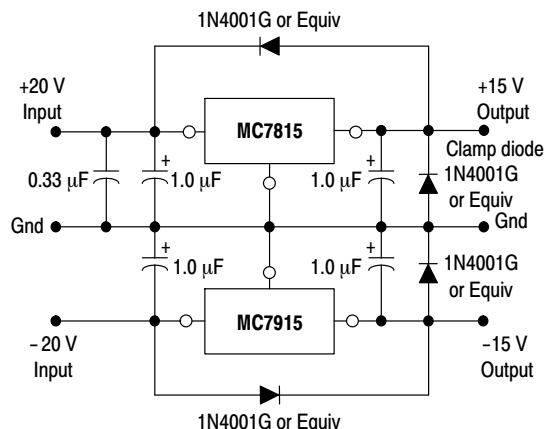


\*Mounted on heatsink.

**Figure 9. Current Boost Regulator**

(-5.0 V @ 4.0 A, with 5.0 A Current Limiting)

When a boost transistor is used, short circuit currents are equal to the sum of the series pass and regulator limits, which are measured at 3.2 A and 1.8 A respectively in this case. Series pass limiting is approximately equal to 0.6 V/R<sub>SC</sub>. Operation beyond this point to the peak current capability of the MC7905C is possible if the regulator is mounted on a heatsink; otherwise thermal shutdown will occur when the additional load current is picked up by the regulator.



**Figure 10. Operational Amplifier Supply**

The MC7815 and MC7915 positive and negative regulators may be connected as shown to obtain a dual power supply for operational amplifiers. A clamp diode should be used at the output of the MC7815 to prevent potential latch-up problems whenever the output of the positive regulator (MC7815) is drawn below ground with an output current greater than 200 mA.

## MC7900 Series

### Protection Diodes

When external capacitors are used with MC7900 series regulator it is sometimes necessary to add protection diodes to prevent the capacitors from discharging through low current points into the regulator or from output polarity reversals. Generally, no protection diode is required for values of output capacitance less than  $10\mu\text{F}$ . Figure 11 shows the MC7915 with the recommended protection diodes.

- Opposite Polarity Protection

Diode D1 protects the regulator from output polarity reversals during startup, power off and short-circuit operation.

- Reverse-bias Protection

Diode D2 prevents output capacitor from discharging through the MC7915 during an input short circuit or fast switch off of power supply.

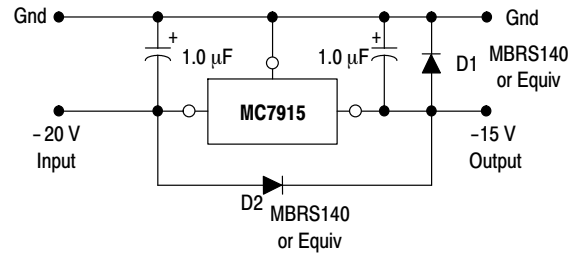


Figure 11. Protection Diodes

## DEFINITIONS

**Line Regulation** – The change in output voltage for a change in the input voltage. The measurement is made under conditions of low dissipation or by using pulse techniques such that the average chip temperature is not significantly affected.

**Load Regulation** – The change in output voltage for a change in load current at constant chip temperature.

**Maximum Power Dissipation** – The maximum total device dissipation for which the regulator will operate within specifications.

**Input Bias Current** – That part of the input current that is not delivered to the load.

**Output Noise Voltage** – The rms AC voltage at the output, with constant load and no input ripple, measured over a specified frequency range.

**Long Term Stability** – Output voltage stability under accelerated life test conditions with the maximum rated voltage listed in the devices' electrical characteristics and maximum power dissipation.

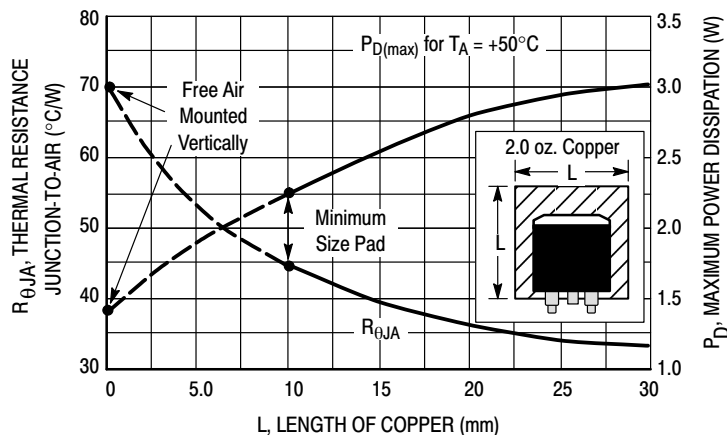


Figure 12. D<sup>2</sup>PAK Thermal Resistance and Maximum Power Dissipation versus P.C.B. Copper Length

# MC7900 Series

## ORDERING INFORMATION

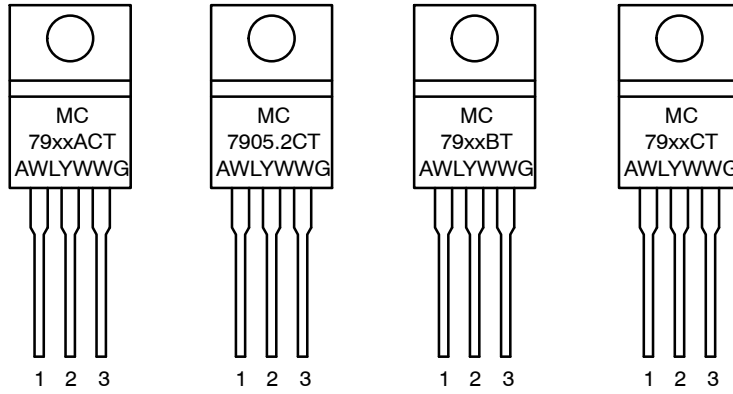
| Device         | Nominal Output Voltage | Output Voltage Tolerance | Package                        | Operating Temperature Range      | Shipping†       |               |
|----------------|------------------------|--------------------------|--------------------------------|----------------------------------|-----------------|---------------|
| MC7905ACD2TR4G | -5.0 V                 | 2%                       | D <sup>2</sup> PAK (Pb-Free)   | T <sub>J</sub> = 0°C to +125°C   | 800 Tape & Reel |               |
| MC7905BTG      |                        | 4%                       | TO-220 (Pb-Free)               | T <sub>J</sub> = -40°C to +125°C | 50 Units/Rail   |               |
| MC7905CTG      |                        |                          | TO-220 (Pb-Free)               | T <sub>J</sub> = 0°C to +125°C   | 50 Units/Rail   |               |
| MC7906CTG      | -6.0 V                 | 4%                       | TO-220 (Pb-Free)               | T <sub>J</sub> = 0°C to +125°C   | 50 Units/Rail   |               |
| MC7912ACTG     | -12 V                  | 2%                       | TO-220 (Pb-Free)               | T <sub>J</sub> = 0°C to +125°C   | 50 Units/Rail   |               |
| MC7912BD2TR4G  |                        | 4%                       | D <sup>2</sup> PAK (Pb-Free)   | T <sub>J</sub> = -40°C to +125°C | 800 Tape & Reel |               |
| MC7912BTG      |                        |                          | TO-220 (Pb-Free)               |                                  | 50 Units/Rail   |               |
| MC7912CTG      |                        | TO-220 (Pb-Free)         | T <sub>J</sub> = 0°C to +125°C | 50 Units/Rail                    |                 |               |
| MC7915ACD2TG   | -15 V                  | 2%                       | D <sup>2</sup> PAK (Pb-Free)   | T <sub>J</sub> = 0°C to +125°C   | 50 Units/Rail   |               |
| MC7915ACD2TR4G |                        |                          | D <sup>2</sup> PAK (Pb-Free)   |                                  | 800 Tape & Reel |               |
| MC7915ACTG     |                        |                          | TO-220 (Pb-Free)               |                                  | 50 Units/Rail   |               |
| MC7915BTG      |                        | 4%                       | TO-220 (Pb-Free)               | T <sub>J</sub> = -40°C to +125°C | 50 Units/Rail   |               |
| MC7915BD2TR4G  |                        |                          | D <sup>2</sup> PAK (Pb-Free)   |                                  | 800 Tape & Reel |               |
| MC7915CD2TR4G  |                        | 4%                       | D <sup>2</sup> PAK (Pb-Free)   | T <sub>J</sub> = 0°C to +125°C   | 800 Tape & Reel |               |
| MC7915CTG      |                        |                          | TO-220 (Pb-Free)               |                                  | 50 Units/Rail   |               |
| MC7918CTG      |                        |                          |                                | TO-220 (Pb-Free)                 |                 | 50 Units/Rail |

†For information on tape and reel specifications, including part orientation and tape sizes, please refer to our Tape and Reel Packaging Specifications Brochure, [BRD8011/D](#).

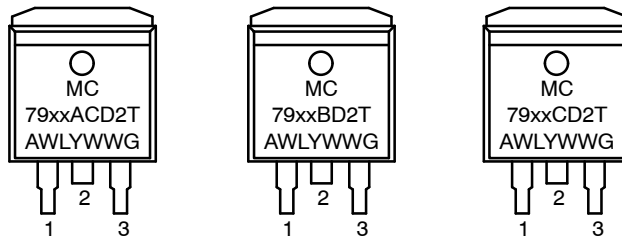
# MC7900 Series

## MARKING DIAGRAMS

TO-220  
T SUFFIX  
CASE 221AB



D<sup>2</sup>PAK  
D2T SUFFIX  
CASE 936



xx = Nominal Voltage  
A = Assembly Location  
WL = Wafer Lot  
Y = Year  
WW = Work Week  
G = Pb-Free Device

# MECHANICAL CASE OUTLINE

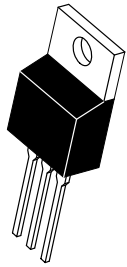
## PACKAGE DIMENSIONS

ON Semiconductor®

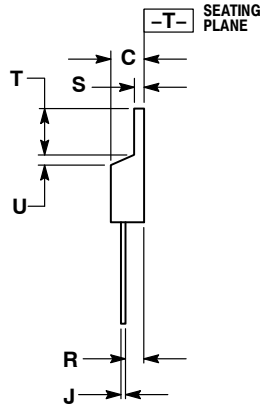
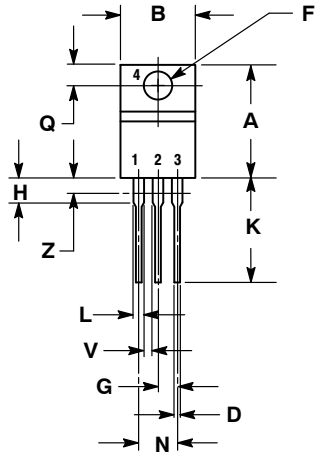


### TO-220, SINGLE GAUGE CASE 221AB-01 ISSUE A

DATE 16 NOV 2010



SCALE 1:1



NOTES:

1. DIMENSIONING AND TOLERANCING PER ANSI Y14.5M, 1982.
2. CONTROLLING DIMENSION: INCHES.
3. DIMENSION Z DEFINES A ZONE WHERE ALL BODY AND LEAD IRREGULARITIES ARE ALLOWED.
4. PRODUCT SHIPPED PRIOR TO 2008 HAD DIMENSIONS S = 0.045 - 0.055 INCHES (1.143 - 1.397 MM)

| DIM | INCHES |       | MILLIMETERS |       |
|-----|--------|-------|-------------|-------|
|     | MIN    | MAX   | MIN         | MAX   |
| A   | 0.570  | 0.620 | 14.48       | 15.75 |
| B   | 0.380  | 0.405 | 9.66        | 10.28 |
| C   | 0.160  | 0.190 | 4.07        | 4.82  |
| D   | 0.025  | 0.035 | 0.64        | 0.88  |
| F   | 0.142  | 0.147 | 3.61        | 3.73  |
| G   | 0.095  | 0.105 | 2.42        | 2.66  |
| H   | 0.110  | 0.155 | 2.80        | 3.93  |
| J   | 0.018  | 0.025 | 0.46        | 0.64  |
| K   | 0.500  | 0.562 | 12.70       | 14.27 |
| L   | 0.045  | 0.060 | 1.15        | 1.52  |
| N   | 0.190  | 0.210 | 4.83        | 5.33  |
| Q   | 0.100  | 0.120 | 2.54        | 3.04  |
| R   | 0.080  | 0.110 | 2.04        | 2.79  |
| S   | 0.020  | 0.024 | 0.508       | 0.61  |
| T   | 0.235  | 0.255 | 5.97        | 6.47  |
| U   | 0.000  | 0.050 | 0.00        | 1.27  |
| V   | 0.045  | ---   | 1.15        | ---   |
| Z   | ---    | 0.080 | ---         | 2.04  |

STYLE 1:

- PIN 1. BASE  
2. COLLECTOR  
3. EMITTER  
4. COLLECTOR

STYLE 2:

- PIN 1. BASE  
2. EMITTER  
3. COLLECTOR  
4. EMITTER

STYLE 3:

- PIN 1. CATHODE  
2. ANODE  
3. GATE  
4. ANODE

STYLE 4:

- PIN 1. MAIN TERMINAL 1  
2. MAIN TERMINAL 2  
3. GATE  
4. MAIN TERMINAL 2

STYLE 5:

- PIN 1. GATE  
2. DRAIN  
3. SOURCE  
4. DRAIN

STYLE 6:

- PIN 1. ANODE  
2. CATHODE  
3. ANODE  
4. CATHODE

STYLE 7:

- PIN 1. CATHODE  
2. ANODE  
3. CATHODE  
4. ANODE

STYLE 8:

- PIN 1. CATHODE  
2. ANODE  
3. EXTERNAL TRIP/DELAY  
4. ANODE

STYLE 9:

- PIN 1. GATE  
2. COLLECTOR  
3. EMITTER  
4. COLLECTOR

STYLE 10:

- PIN 1. GATE  
2. SOURCE  
3. DRAIN  
4. SOURCE

STYLE 11:

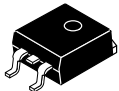
- PIN 1. DRAIN  
2. SOURCE  
3. GATE  
4. SOURCE

|                         |                             |   |
|-------------------------|-----------------------------|---|
| <b>DOCUMENT NUMBER:</b> | <b>98AON23085D</b>          | Electronic versions are uncontrolled except when accessed directly from the Document Repository.<br>Printed versions are uncontrolled except when stamped "CONTROLLED COPY" in red. |
| <b>DESCRIPTION:</b>     | <b>TO-220, SINGLE GAUGE</b> | <b>PAGE 1 OF 1</b>  |

ON Semiconductor and are trademarks of Semiconductor Components Industries, LLC dba ON Semiconductor or its subsidiaries in the United States and/or other countries. ON Semiconductor reserves the right to make changes without further notice to any products herein. ON Semiconductor makes no warranty, representation or guarantee regarding the suitability of its products for any particular purpose, nor does ON Semiconductor assume any liability arising out of the application or use of any product or circuit, and specifically disclaims any and all liability, including without limitation special, consequential or incidental damages. ON Semiconductor does not convey any license under its patent rights nor the rights of others.

# MECHANICAL CASE OUTLINE PACKAGE DIMENSIONS

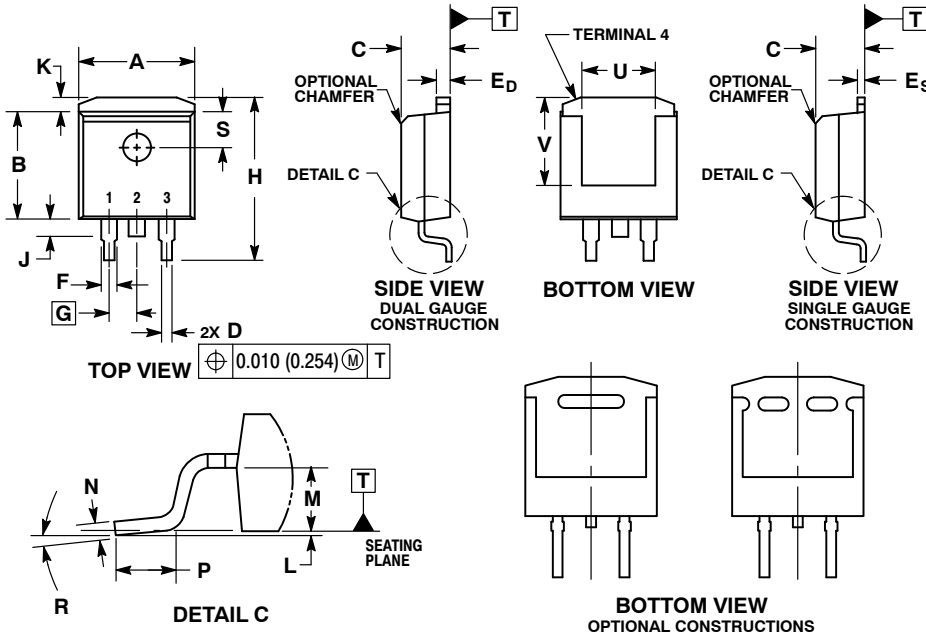
ON Semiconductor®



SCALE 1:1

**D<sup>2</sup>PAK**  
CASE 936-03  
ISSUE E

DATE 29 SEP 2015

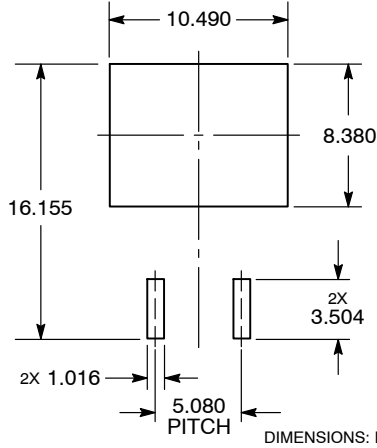


**NOTES:**

1. DIMENSIONING AND TOLERANCING PER ANSI Y14.5M, 1982.
2. CONTROLLING DIMENSION: INCHES.
3. TAB CONTOUR OPTIONAL WITHIN DIMENSIONS A AND K.
4. DIMENSIONS U AND V ESTABLISH A MINIMUM MOUNTING SURFACE FOR TERMINAL 4.
5. DIMENSIONS A AND B DO NOT INCLUDE MOLD FLASH OR GATE PROTRUSIONS. MOLD FLASH AND GATE PROTRUSIONS NOT TO EXCEED 0.025 (0.635) MAXIMUM.
6. SINGLE GAUGE DESIGN WILL BE SHIPPED AFTER FPCN EXPIRATION IN OCTOBER 2011.

| DIM            | INCHES    |       | MILLIMETERS |        |
|----------------|-----------|-------|-------------|--------|
|                | MIN       | MAX   | MIN         | MAX    |
| A              | 0.386     | 0.403 | 9.804       | 10.236 |
| B              | 0.356     | 0.368 | 9.042       | 9.347  |
| C              | 0.170     | 0.180 | 4.318       | 4.572  |
| D              | 0.026     | 0.036 | 0.660       | 0.914  |
| E <sub>D</sub> | 0.045     | 0.055 | 1.143       | 1.397  |
| E <sub>S</sub> | 0.018     | 0.026 | 0.457       | 0.660  |
| F              | 0.051 REF |       | 1.295 REF   |        |
| G              | 0.100 BSC |       | 2.540 BSC   |        |
| H              | 0.539     | 0.579 | 13.691      | 14.707 |
| J              | 0.125 MAX |       | 3.175 MAX   |        |
| K              | 0.050 REF |       | 1.270 REF   |        |
| L              | 0.000     | 0.010 | 0.000       | 0.254  |
| M              | 0.088     | 0.102 | 2.235       | 2.591  |
| N              | 0.018     | 0.026 | 0.457       | 0.660  |
| P              | 0.058     | 0.078 | 1.473       | 1.981  |
| R              | 0°        | 8°    | 0°          | 8°     |
| S              | 0.116 REF |       | 2.946 REF   |        |
| U              | 0.200 MIN |       | 5.080 MIN   |        |
| V              | 0.250 MIN |       | 6.350 MIN   |        |

**SOLDERING FOOTPRINT\***



\*For additional information on our Pb-Free strategy and soldering details, please download the ON Semiconductor Soldering and Mounting Techniques Reference Manual, SOLDERRM/D.

**GENERIC MARKING DIAGRAM\***



- XXXXXX = Specific Device Code
- A = Assembly Location
- L = Wafer Lot
- Y = Year
- WW = Work Week
- G = Pb-Free Package

\*This information is generic. Please refer to device data sheet for actual part marking. Pb-Free indicator, "G" or microdot "▪", may or may not be present.

|                         |                         |  |
|-------------------------|-------------------------|--|
| <b>DOCUMENT NUMBER:</b> | <b>98ASH01005A</b>      | Electronic versions are uncontrolled except when accessed directly from the Document Repository. Printed versions are uncontrolled except when stamped "CONTROLLED COPY" in red. |
| <b>DESCRIPTION:</b>     | <b>D<sup>2</sup>PAK</b> | <b>PAGE 1 OF 1</b>   |

ON Semiconductor and ON are trademarks of Semiconductor Components Industries, LLC dba ON Semiconductor or its subsidiaries in the United States and/or other countries. ON Semiconductor reserves the right to make changes without further notice to any products herein. ON Semiconductor makes no warranty, representation or guarantee regarding the suitability of its products for any particular purpose, nor does ON Semiconductor assume any liability arising out of the application or use of any product or circuit, and specifically disclaims any and all liability, including without limitation special, consequential or incidental damages. ON Semiconductor does not convey any license under its patent rights nor the rights of others.

**onsemi**, **Onsemi**, and other names, marks, and brands are registered and/or common law trademarks of Semiconductor Components Industries, LLC dba "**onsemi**" or its affiliates and/or subsidiaries in the United States and/or other countries. **onsemi** owns the rights to a number of patents, trademarks, copyrights, trade secrets, and other intellectual property. A listing of **onsemi**'s product/patent coverage may be accessed at [www.onsemi.com/site/pdf/Patent-Marking.pdf](http://www.onsemi.com/site/pdf/Patent-Marking.pdf). **onsemi** reserves the right to make changes at any time to any products or information herein, without notice. The information herein is provided "as-is" and **onsemi** makes no warranty, representation or guarantee regarding the accuracy of the information, product features, availability, functionality, or suitability of its products for any particular purpose, nor does **onsemi** assume any liability arising out of the application or use of any product or circuit, and specifically disclaims any and all liability, including without limitation special, consequential or incidental damages. Buyer is responsible for its products and applications using **onsemi** products, including compliance with all laws, regulations and safety requirements or standards, regardless of any support or applications information provided by **onsemi**. "Typical" parameters which may be provided in **onsemi** data sheets and/or specifications can and do vary in different applications and actual performance may vary over time. All operating parameters, including "Typicals" must be validated for each customer application by customer's technical experts. **onsemi** does not convey any license under any of its intellectual property rights nor the rights of others. **onsemi** products are not designed, intended, or authorized for use as a critical component in life support systems or any FDA Class 3 medical devices or medical devices with a same or similar classification in a foreign jurisdiction or any devices intended for implantation in the human body. Should Buyer purchase or use **onsemi** products for any such unintended or unauthorized application, Buyer shall indemnify and hold **onsemi** and its officers, employees, subsidiaries, affiliates, and distributors harmless against all claims, costs, damages, and expenses, and reasonable attorney fees arising out of, directly or indirectly, any claim of personal injury or death associated with such unintended or unauthorized use, even if such claim alleges that **onsemi** was negligent regarding the design or manufacture of the part. **onsemi** is an Equal Opportunity/Affirmative Action Employer. This literature is subject to all applicable copyright laws and is not for resale in any manner.

## ADDITIONAL INFORMATION

### TECHNICAL PUBLICATIONS:

Technical Library: [www.onsemi.com/design/resources/technical-documentation](http://www.onsemi.com/design/resources/technical-documentation)  
onsemi Website: [www.onsemi.com](http://www.onsemi.com)

### ONLINE SUPPORT: [www.onsemi.com/support](http://www.onsemi.com/support)

For additional information, please contact your local Sales Representative at [www.onsemi.com/support/sales](http://www.onsemi.com/support/sales)

## Looking for pricing, stock, or lifecycle information?

Click below to explore more details on WIN SOURCE:

 [View MC7912ACD2T](#) on WIN SOURCE

 [ON Semiconductor](#) Information

## Optimize Your Supply Chain with WIN SOURCE Solutions

-  Global Sourcing Solution
-  Obsolete Management
-  Cost Control Management
-  Shortage Management
-  Alternative Solution
-  Excess Inventory Management