



**THE DATASHEET OF**  
**36000**





# Telink

## Datasheet for Telink

# BLE + IEEE802.15.4 Multi-Standard Wireless SoC TLSR8251

DS-TLSR8251-E13

---

Ver 1.0.1

2024/1/11

**Keyword:**

Bluetooth LE; BLE Mesh; 2.4GHz; IEEE802.15.4

**Brief:**

This datasheet is dedicated for Telink BLE + IEEE802.15.4 multi-standard SoC TLSR8251 (VID: 0x02). In this datasheet, key features, working mode, main modules, electrical specification and application of the TLSR8251 are introduced.

**Published by**  
**Telink Semiconductor**

**Bldg 3, 1500 Zuchongzhi Rd,  
Zhangjiang Hi-Tech Park, Shanghai, China**

**© Telink Semiconductor**  
**All Rights Reserved**

### **Legal Disclaimer**

This document is provided as-is. Telink Semiconductor reserves the right to make improvements without further notice to this document or any products herein. This document may contain technical inaccuracies or typographical errors. Telink Semiconductor disclaims any and all liability for any errors, inaccuracies or incompleteness contained herein.

Copyright © 2023 Telink Semiconductor (Shanghai) Co., Ltd.

### **Information:**

For further information on the technology, product and business term, please contact Telink Semiconductor Company ([www.telink-semi.com](http://www.telink-semi.com)).

For sales or technical support, please send email to the address of:

[telinknsales@telink-semi.com](mailto:telinknsales@telink-semi.com)

[telinknsupport@telink-semi.com](mailto:telinknsupport@telink-semi.com)

**Revision History**

Version	Major Changes	Date	Author
0.8.0	Preliminary release	2018/8	YCQ, LY, JJW, SY, LWF, LWT, SGJ, HZT, Cynthia
0.8.1	Updated section 1 Overview, 3 BLE/802.15.4/2.4GHz RF Transceiver, 7.3.4 I2C Master mode, 15 Key Electrical Specifications, 16 Reference Design.	2018/11	SY, CJH, YCQ, HZF, Cynthia
0.8.2	Updated section 2.4 Working modes, 2.5 Reset, 2.6.1 Power-On-Reset (POR) and Brown-out detect, 4.2 System clock, 4.4 Register table, 15.1 Absolute maximum ratings, 15.2 Recommended operating condition, 15.4 AC characteristics. Added section 2.6.4 VBAT and VANT power-supply mode and 15.7 Flash characteristics.	2018/12	SY, SGJ, LY, JJW, LWT, Cynthia
0.8.3	Updated the sections below: 1.2.2 RF Features, 1.6 Pin layout, , 5.1.1 Register table, 7.1.1.1 GPIO lookup table, 8.1 Register table, 9.1.2 DMIC input, 9.1.5 DFIFO, 9.2.5.2 Manual regulate in analog mode, 9.2.6 Register configuration, 9.3.1 Rate Matching, 9.3.3 Register configuration, 10.4 QDEC reset, 10.7 Register table, 11 SAR ADC, 12 PGA, 13 Temperature Sensor, 15.4 Register table, 16 Reference Design.	2019/6	XJ, YCQ, JJW, LX, TJB, SY, HZT, Cynthia
0.8.4	Updated the sections below:	2019/8	CSJ, SY, JF

Version	Major Changes	Date	Author
	related with hardware 7816 interface Added Telink Mesh 1.2.1 General Features 1.2.2 RF Features Added Section 1.2.6 BLE Mesh features		
0.8.5	Update the section below: Related with BLE spec description 1.1 Overview 1.1.1 General features	2019/11	SY, YH
0.8.6	Update the section below: 1.2.2 RF feature 17 Reference Design Remove TLSR8251F512EU48 related information	2019/12	SY, HCL, YH
0.8.7	1. TLSR8251 now supports IEEE 802.15.4 standard, related changes including: <ul style="list-style-type: none"> <li>– Revised document title.</li> <li>– Updated intro paragraphs in chapter 1 Overview, section 1.1 Block diagram, section 1.2.2 RF Features, the heading of chapter 3 BLE/802.15.4/2.4GHz RF Transceiver, section 3.1 Block diagram, and section 3.3.1 Packet format.</li> <li>– Added section 1.2.8 Concurrent mode feature.</li> </ul> 2. Content improvement, changes including: <ul style="list-style-type: none"> <li>– Updated intro paragraphs in chapter 1 Overview, section 1.1 Block diagram, section 1.2.1 General features, section 1.2.2 RF Features, section 1.2.3 Features of power management module, section 1.3 Typical applications, section 2.1.1 SRAM/Register, section 2.1.2 Flash, section 2.2 Firmware encryption, section 2.4 Working modes, section 2.6.1 Power-On-Reset (POR) and Brown-out detect, section 2.7.5 Register table, section 3.2 Air interface data rate and RF channel frequency, section 3.3.1 Packet format, section 4.4 Register table, section 5.1.1 Register table, section 5.3 System Timer, section 6.2 Register configuration, section 7.1.3 Pull-up/Pull-down resistor, section 7.3.2 Register table, section 7.4.1 Register table, section 7.5 UART, section 8.1 Register table, section 9.2.6 Register configuration, section 9.3.3 Register configuration, section 10.7 Register table,</li> </ul>	2020/3	SY, YJL

Version	Major Changes	Date	Author
	section 11.4 Register table, section 12.4 Register table, chapter 13 , section 13.6 Register table, section 14.4 Register table, section 15.3 DC characteristics, section 15.4 AC characteristics, section 15.5 SPI characteristics, and section 15.6 I2C characteristics. – Added section 1.2.6 BLE features, section 15.8 Thermal characteristics, section 15.9 ESD characteristics, section 15.10 Storage condition.		
0.8.8	Updated section 16 Reference Design.	2021/6	LC
0.8.9	For SPI interface, change full-duplex to half-duplex. For 2.4GHz proprietary payload length, change to 1~63 bytes.	2022/11	QK, OYMQ, CMW
0.8.10	Updated the note for the reference schematic.	2023/2	LBX, JM, CMW
1.0.0	Updated Bluetooth description.	2023/3	Kenneth, CMW
1.0.1	Added section 7.1.1.2 GPIO logic introduction. Deleted temperature sensor and E-Fuse. Updated 2.6.4 VBAT and VANT description.	2024/1	LC

## Table of Contents

Revision History .....	2
Table of Contents.....	5
List of Figures.....	12
List of Tables .....	14
1 Overview.....	16
1.1 Block diagram.....	16
1.2 Key features .....	18
1.2.1 General features .....	18
1.2.2 RF Features .....	19
1.2.3 Features of power management module .....	19
1.2.4 USB features.....	20
1.2.5 Flash features.....	20
1.2.6 BLE features.....	20
1.2.7 BLE Mesh features.....	21
1.2.8 Concurrent mode feature .....	21
1.3 Typical applications .....	21
1.4 Ordering information .....	22
1.5 Package .....	23
1.6 Pin layout .....	26
1.6.1 Pin layout for TLSR8251F512ET48.....	26
1.6.2 Pin layout for TLSR8251F512ET32.....	29
1.6.3 Pin layout for TLSR8251F512ET24.....	32
1.6.4 Notes.....	34
2 Memory and MCU .....	36
2.1 Memory .....	36
2.1.1 SRAM/Register.....	36
2.1.2 Flash .....	38
2.2 Firmware encryption.....	38
2.3 MCU .....	38
2.4 Working modes .....	38
2.5 Reset .....	40

2.6	Power Management .....	41
2.6.1	Power-On-Reset (POR) and Brown-out detect.....	42
2.6.2	Working mode switch .....	45
2.6.3	LDO and DCDC.....	46
2.6.4	VBAT and VANT power-supply mode.....	46
2.7	Wakeup sources.....	47
2.7.1	Wakeup source - USB .....	47
2.7.2	Wakeup source – 32kHz timer .....	47
2.7.3	Wakeup source – low power comparator .....	47
2.7.4	Wakeup source – IO .....	48
2.7.5	Register table.....	48
3	BLE/802.15.4/2.4GHz RF Transceiver .....	50
3.1	Block diagram.....	50
3.2	Air interface data rate and RF channel frequency .....	51
3.3	Baseband .....	51
3.3.1	Packet format .....	51
3.3.2	RSSI and frequency offset .....	52
4	Clock .....	53
4.1	Clock sources .....	53
4.2	System clock.....	54
4.3	Module clock.....	54
4.3.1	System Timer clock.....	54
4.3.2	USB clock.....	54
4.3.3	I2S clock .....	54
4.3.4	DMIC clock .....	54
4.4	Register table .....	55
5	Timers.....	57
5.1	Timer0~Timer2.....	57
5.1.1	Register table.....	57
5.1.2	Mode0 (System Clock Mode) .....	58
5.1.3	Mode1 (GPIO Trigger Mode).....	58

5.1.4	Mode2 (GPIO Pulse Width Mode) .....	59
5.1.5	Mode3 (Tick Mode).....	60
5.1.6	Watchdog.....	60
5.2	32K LTIMER .....	61
5.3	System Timer.....	61
6	Interrupt System.....	63
6.1	Interrupt structure .....	63
6.2	Register configuration .....	63
6.2.1	Enable/Mask interrupt sources .....	64
6.2.2	Interrupt mode and priority .....	65
6.2.3	Interrupt source flag .....	65
7	Interface .....	66
7.1	GPIO .....	66
7.1.1	Basic configuration .....	66
7.1.1.1	GPIO lookup table .....	66
7.1.1.2	GPIO Logic Introduction.....	70
7.1.1.3	Multiplexed functions.....	71
7.1.1.4	Drive strength.....	72
7.1.2	Connection relationship between GPIO and related modules .....	73
7.1.3	Pull-up/Pull-down resistor .....	75
7.2	SWM and SWS .....	77
7.3	I2C.....	77
7.3.1	Communication protocol.....	77
7.3.2	Register table.....	78
7.3.3	I2C Slave mode .....	79
7.3.3.1	DMA mode .....	79
7.3.3.2	Mapping mode .....	80
7.3.4	I2C Master mode.....	80
7.3.4.1	I2C Master Write transfer .....	81
7.3.4.2	I2C Master Read transfer .....	81
7.3.5	I2C and SPI Usage .....	81
7.4	SPI .....	82

7.4.1	Register table.....	82
7.4.2	SPI Master mode.....	82
7.4.3	SPI Slave mode.....	83
7.4.4	I2C and SPI Usage.....	84
7.5	UART.....	84
7.6	USB.....	87
8	PWM.....	88
8.1	Register table.....	88
8.2	Enable PWM.....	91
8.3	Set PWM clock.....	91
8.4	PWM waveform, polarity and output inversion.....	91
8.4.1	Waveform of signal frame.....	91
8.4.2	Invert PWM output.....	92
8.4.3	Polarity for signal frame.....	92
8.5	PWM mode.....	92
8.5.1	Select PWM mode.....	92
8.5.2	Continuous mode.....	92
8.5.3	Counting mode.....	93
8.5.4	IR mode.....	94
8.5.5	IR FIFO mode.....	94
8.5.6	IR DMA FIFO mode.....	96
8.6	PWM interrupt.....	99
9	Audio.....	101
9.1	Audio input path.....	101
9.1.1	AMIC input.....	101
9.1.2	DMIC input.....	102
9.1.3	I2S input.....	102
9.1.4	USB Host input.....	102
9.1.5	DFIFO.....	102
9.2	Audio input processing.....	103
9.2.1	Decimation filter.....	104

9.2.2	LPF.....	104
9.2.3	Down-sample .....	104
9.2.4	HPF.....	104
9.2.5	ALC.....	104
9.2.5.1	Auto regulate in analog mode .....	104
9.2.5.2	Manual regulate in analog mode.....	105
9.2.5.3	Auto regulate in digital mode .....	105
9.2.5.4	Manual regulate in digital mode.....	106
9.2.6	Register configuration .....	106
9.3	Audio output path.....	110
9.3.1	Rate Matching.....	110
9.3.2	SDM.....	111
9.3.3	Register configuration .....	112
10	Quadrature Decoder.....	115
10.1	Input pin selection .....	115
10.2	Common mode and double accuracy mode.....	115
10.3	Read real time counting value .....	117
10.4	QDEC reset .....	118
10.5	Other configuration .....	118
10.6	Timing sequence .....	119
10.7	Register table .....	120
11	SAR ADC.....	121
11.1	Power on/down .....	121
11.2	ADC clock .....	121
11.3	ADC control in auto mode.....	121
11.3.1	Set max state and enable channel .....	121
11.3.2	“Set” state .....	122
11.3.3	“Capture” state .....	123
11.3.4	Usage cases .....	123
11.3.4.1	Case 1: 3-channel sampling for stereo audio and Misc.....	123
11.3.4.2	Case 2: 2-channel sampling for mono audio and Misc .....	124
11.3.4.3	Case 3: 2-channel sampling for stereo audio .....	124
11.3.4.4	Case 4: 1-channel sampling for mono audio.....	124

11.3.4.5	Case 5: 1-channel sampling for Misc .....	124
11.3.4.6	Case 6 with detailed register setting .....	125
11.4	Register table .....	127
12	PGA .....	133
12.1	Power on/down .....	134
12.2	Input channel .....	134
12.3	Adjust gain .....	134
12.4	Register table .....	135
13	Low Power Comparator .....	136
13.1	Power on/down .....	136
13.2	Select input channel.....	136
13.3	Select mode and input channel for reference.....	137
13.4	Select scaling coefficient .....	137
13.5	Low power comparator output.....	137
13.6	Register table .....	137
14	AES.....	139
14.1	RISC mode.....	139
14.2	DMA mode.....	139
14.3	AES-CCM .....	139
14.4	Register table .....	140
15	Key Electrical Specifications.....	141
15.1	Absolute maximum ratings .....	141
15.2	Recommended operating condition.....	141
15.3	DC characteristics.....	142
15.4	AC characteristics .....	143
15.5	SPI characteristics.....	149
15.6	I2C characteristics .....	150
15.7	Flash characteristics .....	151
15.8	Thermal characteristics .....	152
15.9	ESD characteristics .....	152
15.10	Storage condition .....	153
16	Reference Design .....	154
16.1	Application example for TLSR8251F512ET48 .....	154
16.1.1	Schematic.....	154
16.1.2	BOM (Bill of Material) .....	155
16.2	Application example for TLSR8251F512ET32 .....	156

16.2.1	Schematic.....	156
16.2.2	BOM (Bill of Material) .....	157
16.3	Application example for TLSR8251F512ET24 .....	158
16.3.1	Schematic.....	158
16.3.2	BOM (Bill of Material) .....	159

**List of Figures**

Figure 1- 1	Block diagram of the system.....	17
Figure 1- 2	Package dimension for TLSR8251F512ET48 (Unit: mm) .....	23
Figure 1- 3	Package dimension for TLSR8251F512ET32 (Unit: mm) .....	24
Figure 1- 4	Package dimension for TLSR8251F512ET24 (Unit: mm) .....	25
Figure 1- 5	Pin assignment for TLSR8251F512ET48 .....	26
Figure 1- 6	Pin assignment for TLSR8251F512ET32 .....	29
Figure 1- 7	Pin assignment for TLSR8251F512ET24 .....	32
Figure 2- 1	Physical memory map.....	36
Figure 2- 2	Register space.....	37
Figure 2- 3	Control logic for power up/down .....	42
Figure 2- 4	Initial Power-up sequence .....	43
Figure 2- 5	Power-down sequence .....	44
Figure 2- 6	Wakeup sources .....	47
Figure 3- 1	Block diagram of RF transceiver .....	50
Figure 4- 1	Block diagram of clock.....	53
Figure 7- 1	GPIO logic diagram .....	70
Figure 7- 2	Logic relationship between GPIO and related modules.....	73
Figure 7- 3	I2C timing chart .....	78
Figure 7- 4	Byte consisted of slave address and R/W flag bit.....	79
Figure 7- 5	Read format in DMA mode.....	80
Figure 7- 6	Write format in DMA mode .....	80
Figure 7- 7	Read format in Mapping mode.....	80
Figure 7- 8	Write format in Mapping mode.....	80
Figure 7- 9	SPI write/read command format .....	84
Figure 7- 10	UART communication .....	85
Figure 8- 1	A signal frame.....	91
Figure 8- 2	PWM output waveform chart.....	92
Figure 8- 3	Continuous mode .....	93
Figure 8- 4	Counting mode (n=0).....	93
Figure 8- 5	IR mode (n=0).....	94
Figure 8- 6	IR format examples.....	95
Figure 9- 1	Audio input path.....	101
Figure 9- 2	Audio input processing.....	103
Figure 9- 3	Audio output path .....	110
Figure 9- 4	Linear interpolation .....	111
Figure 9- 5	Delay interpolation .....	111
Figure 9- 6	Block diagram of SDM .....	111
Figure 10- 1	Common mode.....	116
Figure 10- 2	Double accuracy mode .....	117
Figure 10- 3	Read real time counting value .....	118
Figure 10- 4	Shuttle mode.....	118

---

Figure 10- 5	Timing sequence chart .....	119
Figure 11- 1	Block diagram of ADC .....	121
Figure 12- 1	Block diagram of PGA .....	133
Figure 13- 1	Block diagram of low power comparator.....	136
Figure 16- 1	Schematic for TLSR8251F512ET48.....	154
Figure 16- 2	Schematic for TLSR8251F512ET32.....	156
Figure 16- 3	Schematic for TLSR8251F512ET24.....	158

**List of Tables**

Table 1- 1	Ordering information of the TLSR8251* .....	22
Table 1- 2	Pin functions for TLSR8251F512ET48 .....	27
Table 1- 3	Pin functions for TLSR8251F512ET32 .....	30
Table 1- 4	Pin functions for TLSR8251F512ET24 .....	32
Table 2- 1	Working modes .....	39
Table 2- 2	Retention analog registers in deep sleep.....	40
Table 2- 3	Register configuration for software reset .....	41
Table 2- 4	Analog register to control delay counters.....	42
Table 2- 5	Characteristics of Initial Power-up/ Power-down sequence .....	44
Table 2- 6	3.3V analog registers for module power up/down control.....	45
Table 2- 7	Analog registers for Wakeup .....	48
Table 2- 8	Digital register for Wakeup.....	49
Table 3- 1	External RF transceiver control example .....	50
Table 3- 2	Packet Format in standard 1Mbps BLE mode .....	51
Table 3- 3	Packet format in standard 2Mbps BLE mode.....	52
Table 3- 4	Packet Format In Standard 500kbps/125kbps BLE Mode .....	52
Table 3- 5	Packet format in 802.15.4 Mode .....	52
Table 3- 6	Packet format in Proprietary mode .....	52
Table 4- 1	Register table related to clock .....	55
Table 5- 1	Register configuration for Timer0~Timer2.....	57
Table 5- 2	Register table for System Timer.....	61
Table 6- 1	Register table for Interrupt system.....	63
Table 7- 1	GPIO lookup table 1.....	66
Table 7- 2	Select multiplexed SPI/I2C.....	72
Table 7- 3	GPIO lookup table2 .....	74
Table 7- 4	Analog registers for pull-up/pull-down resistor control.....	75
Table 7- 5	Register configuration for I2C.....	78
Table 7- 6	Register configuration for SPI .....	82
Table 7- 7	SPI Master mode .....	82
Table 7- 8	SPI Slave mode .....	83
Table 7- 9	Register configuration for UART .....	85
Table 8- 1	Register table for PWM .....	88
Table 9- 1	Audio data flow direction .....	101
Table 9- 2	Register configuration related to audio input processing.....	106
Table 9- 3	Register configuration related to audio output path .....	113
Table 10- 1	Input pin selection.....	115
Table 10- 2	Timing.....	119
Table 10- 3	Register table for QDEC .....	120
Table 11- 1	Overall register setting .....	125
Table 11- 2	Register setting for L/R/M channel.....	125
Table 11- 3	Register table related to SAR ADC .....	127

---

Table 12- 1	Analog register table related to PGA .....	135
Table 13- 1	Analog register table related to low power comparator .....	137
Table 14- 1	Register table related to AES .....	140
Table 15- 1	Absolute Maximum Ratings.....	141
Table 15- 2	Recommended operation condition .....	141
Table 15- 3	DC characteristics .....	142
Table 15- 4	AC Characteristics (VDD=3.3V, Ta=25°C).....	143
Table 15- 5	SPI characteristics .....	149
Table 15- 6	I2C characteristics.....	150
Table 15- 7	Flash memory characteristics .....	151
Table 15- 8	Thermal characteristics .....	152
Table 15- 9	Thermal characteristics .....	152
Table 15- 10	HBM/CDM Results.....	152
Table 15- 11	LU Test Result .....	153
Table 16- 1	BOM table for TLSR8251F512ET48 .....	155
Table 16- 2	BOM table for TLSR8251F512ET32 .....	157
Table 16- 3	BOM table for TLSR8251F512ET24 .....	159

## 1 Overview

The TLSR8251 is Telink-developed Bluetooth LE + IEEE802.15.4 multi-standard wireless SoC solution with internal Flash and audio support. It's completely RoHS-compliant and 100% lead (Pb)-free.

The TLSR8251 combines the radio frequency (RF), digital processing, protocols stack software and profiles for Bluetooth Low Energy, BLE Mesh and 2.4GHz proprietary standard into a single SoC. The TLSR8251's embedded 512kB FLASH enables dynamic stack and profile configuration, and the final end product functionality is configurable via software, providing ultimate flexibility. The TLSR8251 also has hardware OTA upgrades support and multiple boot switching, allowing convenient product feature roll outs and upgrades.

The TLSR8251 supports concurrent multi-standards. For some use cases, the TLSR8251 can "concurrently" run two standards, for example, stacks such as BLE and 802.15.4 can run concurrently with one application state but dual radio communication channels for interacting with different devices. The end product working in this mode can maintain active Bluetooth Smart connections to smart phones or other BLE devices while control and communicate with 802.15.4 or other 2.4GHz devices at the same time. In this case, it's compatible with Bluetooth standard, supports BLE specification, allows easy connectivity with Bluetooth Smart Ready mobile phones, tablets, laptops, which supports BLE slave and master mode operation, including broadcast, encryption, connection updates, and channel map updates. At the same time, it also supports IEEE 802.15.4 standard, and is perfect for creating interoperable solution for use within the home. This feature enables products to bridge the smartphone and home automation world with a single chip and no requirement for an external hub.

The TLSR8251 integrates hardware acceleration to support the complicated security operations required by Bluetooth, without the requirement for an external DSP, thereby significantly reducing the product eBOM.

The TLSR8251 supports single or dual analog microphones or digital microphone, and stereo audio output with enhanced voice performance for voice search and other such applications. The TLSR8251 also includes a full range of on-chip peripherals for interfacing with external components such as LEDs, sensors, touch controllers, keyboards, and motors. This makes it an ideal single-chip solution for IoT (Internet of Things) and HID (Human Interface Devices) application such as wearable devices, smart lighting, smart home devices, advanced remote controls, and wireless toys.

### 1.1 Block diagram

The TLSR8251 is designed to offer high integration, ultra-low power application capabilities. The system's block diagram is as shown in Figure 1-1.

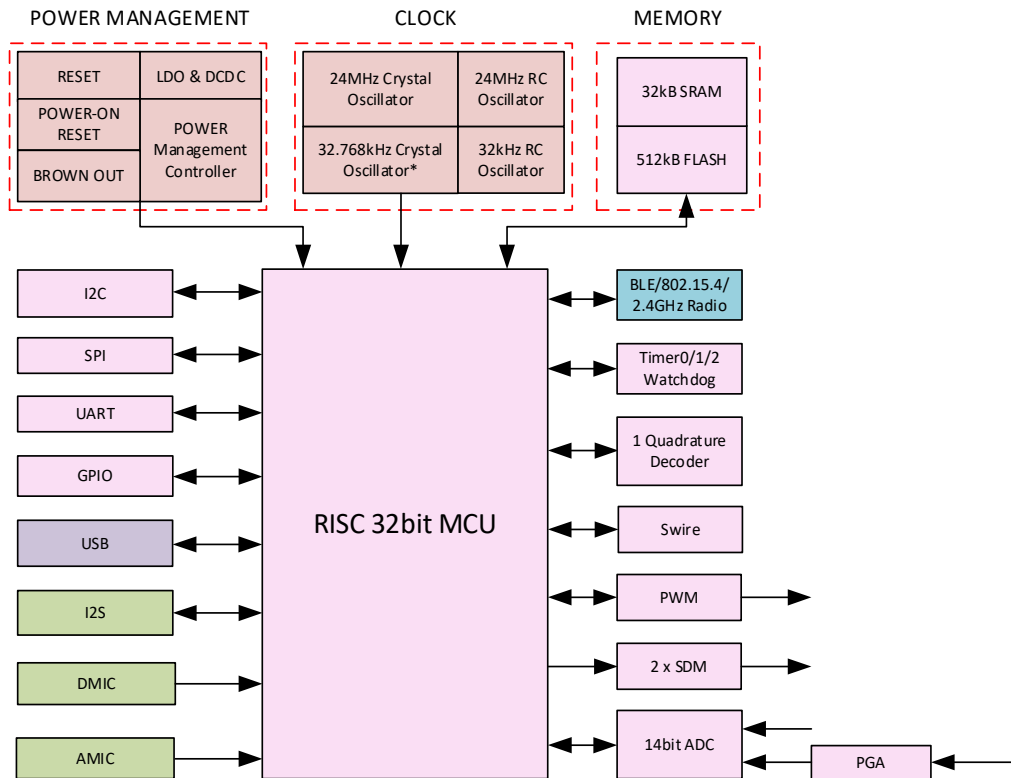


Figure 1- 1 Block diagram of the system

**\*Notes:**

- 1) Modules marked with different colors belong to different power domains. Power state of each power domain can be controlled independent of other power domains, for example, the audio module (including I2S, DMIC, AMIC) can be independently powered on or powered down irrespective of other modules such as power management module, clock, and etc.
- 2) The BLE/802.15.4/2.4GHz Radio, USB and Audio (I2S, DMIC, AMIC) are powered down by default.
- 3) The power management module and clock should be always powered on, even in deep sleep.
- 4) In deep sleep, except for the power management and clock, all other modules should be powered down.

The TLSR8251 integrates a power-balanced 32-bit MCU, BLE/802.15.4/2.4GHz Radio, 32kB SRAM, 512kB internal Flash, 14bit ADC with PGA, analog and digital microphone input, stereo audio output, 6-channel PWM (1-channel IR/IR FIFO/IR DMA FIFO), one quadrature decoder (QDEC), abundant and flexible GPIO interfaces, and nearly all the peripherals needed for IoT (Internet of Things) and HID (Human Interface Devices) application development (e.g. Bluetooth Low Energy and IEEE 802.15.4). The TLSR8251 also includes multi-stage power management design allowing ultra-low power operation and making it the ideal candidate for wearable and power-constraint applications.

With the high integration level of TLSR8251, few external components are needed to satisfy customers' ultra-low cost requirements.

## 1.2 Key features

### 1.2.1 General features

General features are as follows:

- 1) 4-byte Chip UID (Unique ID).
- 2) Embedded 32-bit proprietary microcontroller.
  - ✧ Better power-balanced performance than ARM M0
  - ✧ Instruction cache controller
  - ✧ Maximum running speed up to 48MHz
- 3) Program memory: internal 512kB Flash.
- 4) Data memory: 32kB on-chip SRAM, including up to 32kB SRAM with retention in deep sleep
- 5) RTC and other timers:
  - ✧ Clock source of 24MHz&32.768kHz Crystal and 32kHz/24MHz embedded RC oscillator, among which, the external 24MHz is to verify internal 32K clock, the internal 32kHz is for low precision application, external 32.768 is for high precision application
  - ✧ Three general 32-bit timers with four selectable modes in active mode
  - ✧ Watchdog timer
  - ✧ A low-frequency 32kHz timer available in low power mode
- 6) A rich set of I/Os:
  - ✧ Up to 32/17/10 GPIOs depending on package option. All digital IOs can be used as GPIOs.
  - ✧ DMIC (Digital Mic).
  - ✧ AMIC (Analog Mic).
  - ✧ I2S.
  - ✧ Stereo Audio output.
  - ✧ SPI.
  - ✧ I2C.
  - ✧ UART with hardware flow control and 7816 protocol support.
  - ✧ USB.
  - ✧ Swire debug Interface.
- 7) Up to 6 channels of differential PWM:
  - ✧ PWM1~PWM5: 5-channel normal PWM output.
  - ✧ PWM0: 1 channel with IR/IR FIFO/IR DMA FIFO mode for IR generation.
- 8) Sensor:
  - ✧ 14bit 10-channel (only GPIO input) SAR ADC, with 4-channel differential input PGA,

effective bits: 10.5bits

- ✧ Temperature sensor
- 9) One quadrature decoder.
- 10) Embedded hardware AES block cipher with 128 bit keys and software AES-CCM.
- 11) Embedded hardware acceleration for Elliptical curve cryptography (ECC).
- 12) Embedded low power comparator.
- 13) Operating temperature:  $-40^{\circ}\text{C}\sim+85^{\circ}\text{C}$
- 14) Supports BLE, BLE Mesh and 2.4GHz proprietary technologies into a single SoC without the requirement for an external DSP.

### 1.2.2 RF Features

RF features include:

- 1) BLE/802.15.4/2.4GHz RF transceiver embedded, working in worldwide 2.4GHz ISM band.
- 2) Bluetooth LE 1Mbps and 2Mbps, Long Range 125kbps and 500kbps.
- 3) IEEE802.15.4 compliant, 250kbps.
- 4) 2.4GHz proprietary 1Mbps/2Mbps/250kbps/500kbps mode with Adaptive Frequency Hopping feature support.
- 5) ANT mode
- 6) Rx Sensitivity:  $-96\text{dBm}$ @BLE 1Mbps mode,  $-99.5\text{dBm}$ @ IEEE802.15.4 250kbps mode,  $-93\text{dBm}$  @ BLE 2Mbps mode,  $-99\text{dBm}$  @ BLE 500kbps mode,  $-101\text{dBm}$  @ BLE 125kbps mode.
- 7) Tx output power: up to  $+10\text{dBm}$ .
- 8) Single-pin antenna interface.
- 9) RSSI monitoring with  $\pm 1\text{dB}$  resolution.
- 10) Auto acknowledgement, retransmission and flow control.
- 11) Support single-antenna AOA/TX BLE location features.

### 1.2.3 Features of power management module

Features of power management module include:

- 1) Embedded LDO and DCDC.
- 2) Battery monitor: Supports low battery detection.
- 3) Power supply:  $1.8\text{V}\sim 3.6\text{V}$ .
- 4) Multiple stage power management to minimize power consumption.
- 5) Low power consumption:
  - ✧ Whole Chip RX mode:  $5.3\text{mA}$
  - ✧ Whole Chip TX mode:  $4.8\text{mA}$  @  $0\text{dBm}$  with DCDC

- ✧ Deep sleep with external wakeup (without SRAM retention): 0.4 $\mu$ A
- ✧ Deep sleep with SRAM retention: 1 $\mu$ A (with 8kB SRAM retention), 1.2 $\mu$ A (with 16kB SRAM retention), 1.4 $\mu$ A (with 32kB SRAM retention)
- ✧ Deep sleep with external wakeup, with 32K RC oscillator on (without SRAM retention): 0.9 $\mu$ A
- ✧ Deep sleep with SRAM retention, with 32K RC oscillator on: 1.5 $\mu$ A (with 8kB SRAM retention), 1.7 $\mu$ A (with 16kB SRAM retention), 1.9 $\mu$ A (with 32kB SRAM retention)

#### 1.2.4 USB features

USB features include:

- 1) Compatible with USB2.0 Full speed mode.
- 2) Supports 9 endpoints including control endpoint 0 and 8 configurable data endpoints.
- 3) Independent power domain.
- 4) Supports ISP (In-System Programming) via USB port.

#### 1.2.5 Flash features

The TLSR8251 embeds Flash with features below:

- 1) Total 512kB (4Mbits).
- 2) Flexible architecture: 4kB per Sector, 64kB/32kB per block.
- 3) Up to 256 Bytes per programmable page.
- 4) Write protect all or portions of memory.
- 5) Sector erase (4kB).
- 6) Block erase (32kB/64kB).
- 7) Cycle Endurance: 100,000 program/erases.
- 8) Data Retention: typical 20-year retention.
- 9) Multi firmware encryption methods for anti-cloning protection.

#### 1.2.6 BLE features

BLE features include:

- 1) Qualified for Bluetooth 5.3, main features supported include:
  - ✧ 1Mbps, 2Mbps, Long Range S2 (500Kbps), S8 (125Kbps).
  - ✧ High duty cycle non-connectable ADV.
  - ✧ Extended ADV.
  - ✧ LE Channel selection algorithm #2.
- 2) Bluetooth SIG Mesh support.

### 1.2.7 BLE Mesh features

Telink Proprietary BLE Mesh features include:

- 1) Support flexible mesh control, e.g. N-to-1 and N-to-M;
- 2) Supports switch control for over 200 nodes without delay;
- 3) Supports real time status update for over 200 nodes;
- 4) Secure and safe control and scalable identification within network;
- 5) 8/16 groups can be controlled at the same time;
- 6) 128/256 nodes within mesh network;
- 7) Configurable to more or fewer hops (e.g. 4 hops) within mesh network, single hop delay less than 15ms;
- 8) Flexible RF channel usage with both BLE advertising channels and data channels for good anti-interference performance.

### 1.2.8 Concurrent mode feature

In concurrent mode, the chip supports multiple standard working concurrently.

Typical combination is Bluetooth LE + 802.15.4 based standard: BLE and 802.15.4 based stacks can run concurrently with one application state based on time division technology, e.g. BLE stack will run alternately during the divided time slots.

### 1.3 Typical applications

The TLSR8251 can be applied to IoT (Internet of Things) and HID (Human Interface Devices) applications, such as BLE smart devices, BLE mesh devices, and 2.4GHz IEEE 802.15.4 remote control /set-top box.

Its typical applications include, but are not limited to the following:

- ✧ Smartphone and tablet accessories
- ✧ RF Remote Control
- ✧ Sports and fitness tracking
- ✧ Wearable devices
- ✧ Wireless toys
- ✧ Smart Lighting, Smart Home devices
- ✧ Building Automation
- ✧ Smart Grid
- ✧ Intelligent Logistics/Transportation/City
- ✧ Consumer Electronics
- ✧ Industrial Control
- ✧ Health Care

## 1.4 Ordering information

 Table 1- 1 Ordering information of the TLSR8251\*<sup>1</sup>

Product Series	Package Type	Temperature Range	Product Part No.	Packing Method * <sup>2</sup>	Minimum Order Quantity
TLSR8251F512	48-pin TQFN 7x7x0.75mm	-40°C~+85°C	TLSR8251F512 ET48	TR	3000
	32-pin TQFN 5x5x0.75mm	-40°C~+85°C	TLSR8251F512 ET32	TR	3000
	24-pin TQFN 4x4x0.75mm	-40°C~+85°C	TLSR8251F512 ET24	TR	3000

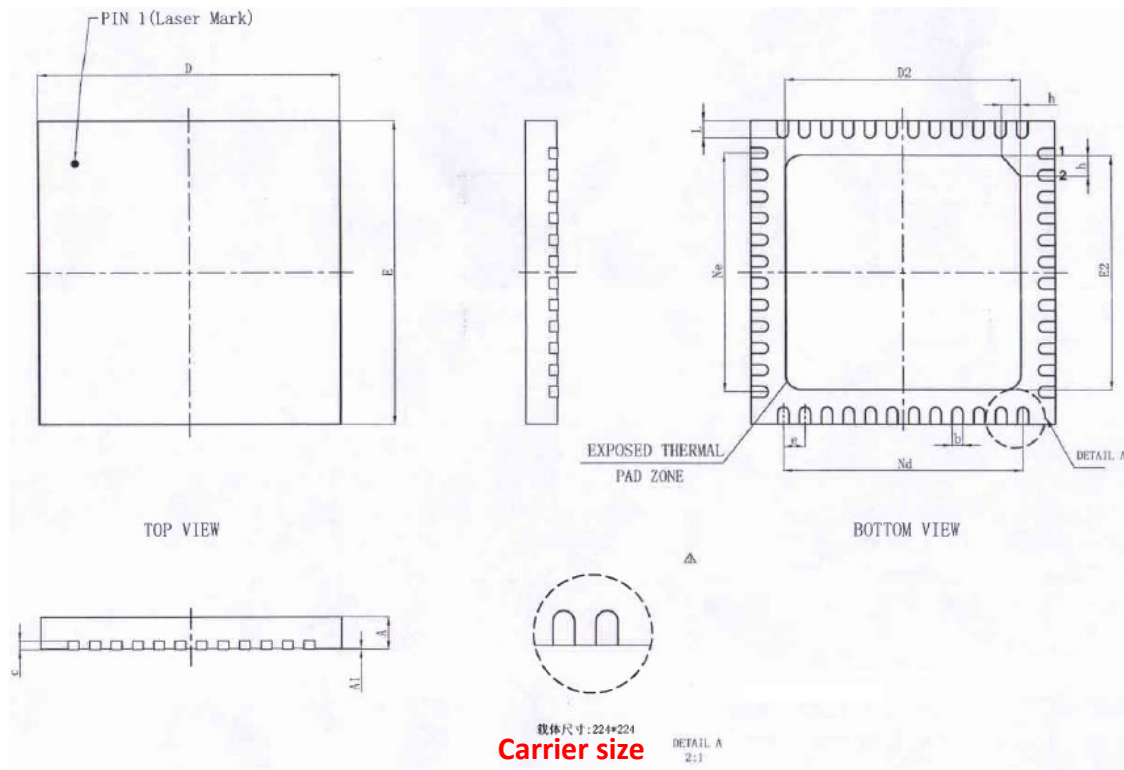
<sup>1</sup> MSL (Moisture Sensitivity Level): The 8251 series is applicable to MSL3 (Based on JEDEC Standard J-STD-020).

- ✧ After the packing opened, the product shall be stored at <30°C/ <60%RH and the product shall be used within 168 hours.
- ✧ When the color of the indicator in the packing changed, the product shall be baked before soldering.
- ✧ If baking is required, please refer to IPC/JEDEC J-STD-033 for baking procedure.

<sup>2</sup> Packing method "TR" means tape and reel. The tape and reel material DO NOT support baking under high temperature.

### 1.5 Package

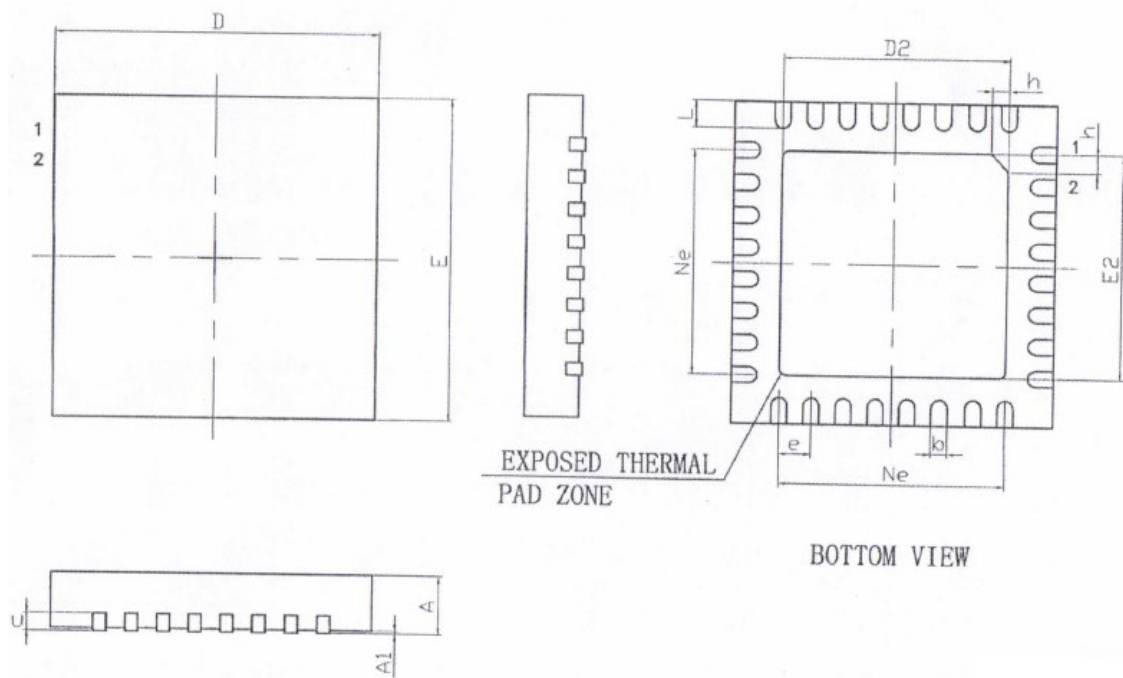
Package dimensions for the TLR8251F512ET48, TLR8251F512ET32 and TLR8251F512ET24, are shown as below.



SYMBOL	MILLIMETER		
	MIN	NOM	MAX
A	0.70	0.75	0.80
	0.85	0.90	0.95
A1	0	0.02	0.05
b	0.18	0.25	0.30
b1	0.11	0.16	0.21
c	0.18	0.20	0.23
D	6.90	7.00	7.10
D2	5.30	5.40	5.50
e	0.50BSC		
Ne	5.50BSC		
Nd	5.50BSC		
E	6.90	7.00	7.10
E2	5.30	5.40	5.50
L	0.35	0.40	0.45
h	0.30	0.35	0.40
h1	0.03REF		
h2	0.10REF		

L/F carrier size L/F载体尺寸	SYMBOL	MILLIMETER
	224*224	D2
E2		5.40 ± 0.10

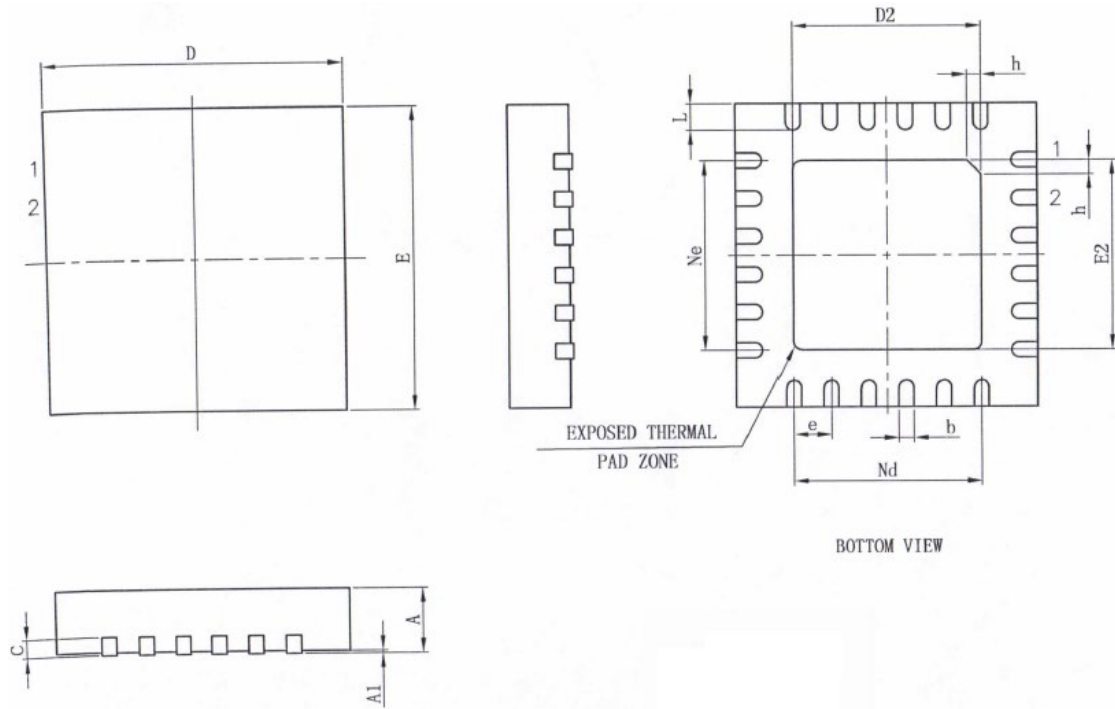
Figure 1- 2 Package dimension for TLR8251F512ET48 (Unit: mm)



SYMBOL	MILLIMETER		
	MIN	NOM	MAX
A	0.70	0.75	0.80
A1	—	0.02	0.05
b	0.18	0.25	0.30
c	0.18	0.20	0.25
D	4.90	5.00	5.10
D2	3.40	3.50	3.60
e	0.50BSC		
Ne	3.50BSC		
E	4.90	5.00	5.10
E2	3.40	3.50	3.60
L	0.35	0.40	0.45
h	0.30	0.35	0.40
L/F载体尺寸	150x150	130x130	

**L/F carrier size**

Figure 1-3 Package dimension for TSLR8251F512ET32 (Unit: mm)



SYMBOL	MILLIMETER		
	MIN	NOM	MAX
A	0.70	0.75	0.80
A1	—	0.02	0.05
b	0.18	0.25	0.30
c	0.18	0.20	0.25
D	3.90	4.00	4.10
D2	2.40	2.50	2.60
e	0.50BSC		
Ne	2.50BSC		
Nd	2.50BSC		
E	3.90	4.00	4.10
E2	2.40	2.50	2.60
L	0.35	0.40	0.45
h	0.30	0.35	0.40
L/F载体尺寸	110x110		

**L/F carrier size**

Figure 1- 4 Package dimension for TLSR8251F512ET24 (Unit: mm)

## 1.6 Pin layout

### 1.6.1 Pin layout for TLR8251F512ET48

Figure 1- 5 shows pin assignment for the TLR8251F512ET48.

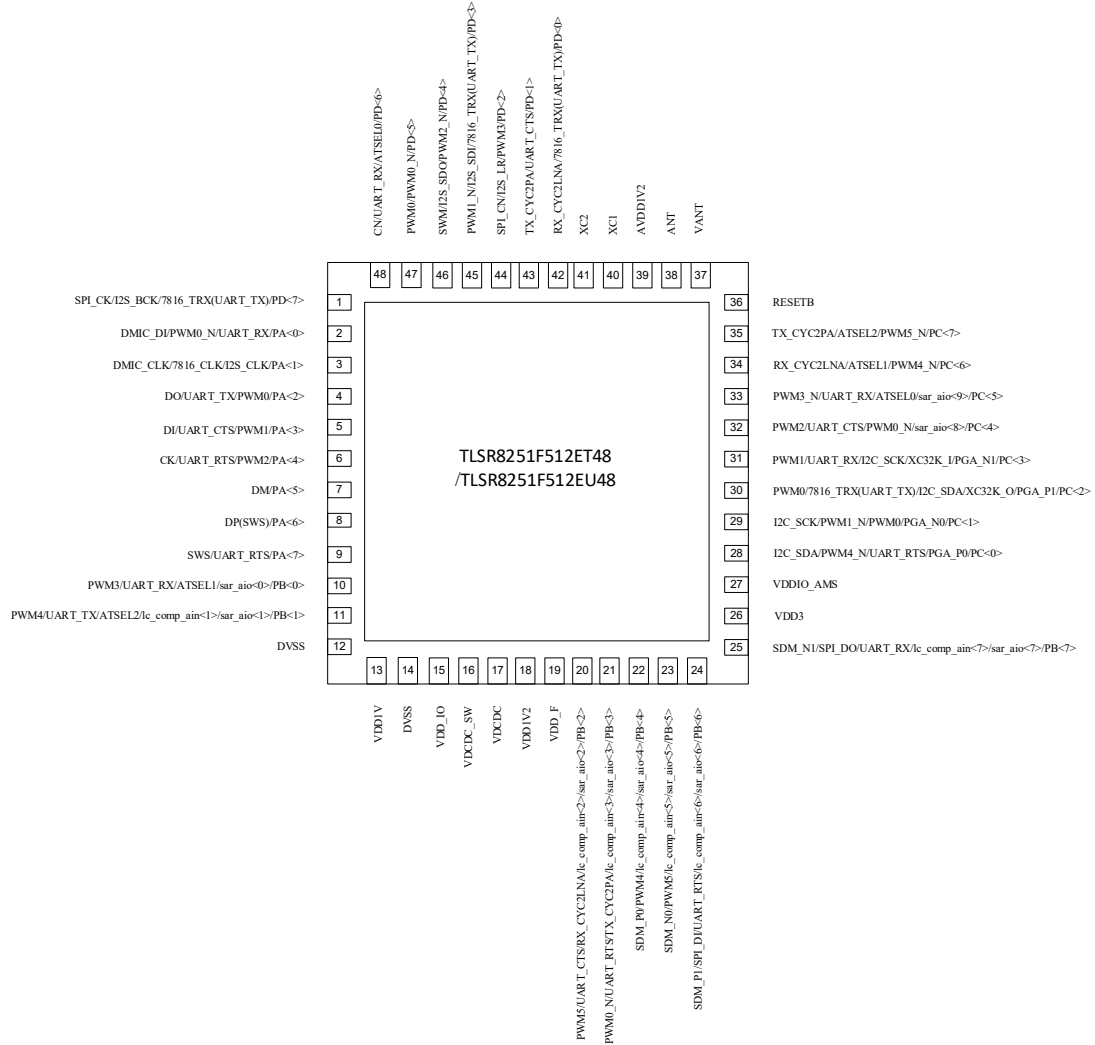


Figure 1- 5 Pin assignment for TLR8251F512ET48

Functions of 48 pins for the TLSR8251F512ET48 are described in Table 1- 2:

Table 1- 2 Pin functions for TLSR8251F512ET48

No.	Pin Name	Type	Description
1	SPI_CLK/I2S_BCK/7816_TRX (UART_TX)/PD<7>	Digital I/O	SPI clock (I2C_SCK) / I2S bit clock / UART 7816 TRX (UART_TX) / GPIO PD[7]
2	DMIC_DI/PWM0_N/UART_RX/PA<0>	Digital I/O	DMIC data input / PWM0 inverting output / UART_RX / GPIO PA[0]
3	DMIC_CLK/7816_CLK/I2S_CLK/PA<1>	Digital I/O	DMIC clock / UART 7816 clock / I2S clock / GPIO PA[1]
4	DO/UART_TX/PWM0/PA<2>	Digital I/O	SPI data output / UART_TX / PWM0 output / GPIO PA[2]
5	DI/UART_CTS/PWM1/PA<3>	Digital I/O	SPI data input (I2C_SDA) / UART_CTS / PWM1 output / GPIO PA[3]
6	CK/UART_RTS/PWM2/PA<4>	Digital I/O	SPI clock (I2C_SCK) / UART_RTS / PWM2 output / GPIO PA[4]
7	DM/PA<5>	Digital I/O	USB data minus / GPIO PA[5]
8	DP(SWS)/PA<6>	Digital I/O	USB data positive (Single wire slave) / GPIO PA[6]
9	SWS/UART_RTS/PA<7>	Digital I/O	Single wire slave/ UART_RTS / GPIO PA[7]
10	PWM3/UART_RX/ATSEL1/sar_ain<0>/PB<0>	Digital I/O	PWM3 output / UART_RX / Antenna select pin 1 / SAR ADC input / GPIO PB[0]
11	PWM4/UART_TX/ATSEL2/lc_comp_ain<1>/sar_ain<1>/PB<1>	Digital I/O	PWM4 output / UART_TX / Antenna select pin 2 / Low power comparator input / SAR ADC input / GPIO PB[1]
12	DVSS	GND	Digital LDO ground
13	VDD1V	PWR	Internal LDO generated power supply input for digital core
14	DVSS	GND	Digital LDO ground
15	VDD_IO	PWR	External 3.3V power supply input for IO
16	VDCDC_SW	Analog	Connect with VDCDC via external inductor
17	VDCDC	Analog	Connect with VDCDC_SW via external inductor
18	VDD1V2	PWR	Internal DCDC generated power supply. Connect to GND via external capacitor. Route this 1.2V voltage power supply to AVDD1V2.
19	VDD_F	PWR	Internally generated power supply to flash. Connect to GND via external capacitor.
20	PWM5/UART_CTS/RX_CYC2LNA/lc_comp_ain<2>/sar_ain<2>/PB<2>	Digital I/O	PWM5 output / UART_CTS / Control external LNA / Low power comparator input / SAR ADC input / GPIO PB[2]
21	PWM0_N/UART_RTS/TX_CYC2PA/lc_comp_ain<3>/sar_ain<3>/PB<3>	Digital I/O	PWM0 inverting output / UART_RTS / Control external PA / Low power comparator input / SAR ADC input / GPIO PB[3]
22	SDM_P0/PWM4/lc_comp_ain<4>/sar_ain<4>/PB<4>	Digital I/O	SDM positive output 0 / PWM4 output / Low power comparator input / SAR ADC input / GPIO PB[4]

No.	Pin Name	Type	Description
23	SDM_N0/PWM5/lc_comp_ain<5>/sar_ain<5>/PB<5>	Digital I/O	SDM negative output 0 / PWM5 output / Low power comparator input / SAR ADC input / GPIO PB[5]
24	SDM_P1/SPI_DI/UART_RTS/lc_comp_ain<6>/sar_ain<6>/PB<6>	Digital I/O	SDM positive output 1 / SPI data input (I2C_SDA) / UART_RTS / Low power comparator input / SAR ADC input / GPIO PB[6]
25	SDM_N1/SPI_DO/UART_RX/lc_comp_ain<7>/sar_ain<7>/PB<7>	Digital I/O	SDM negative output 1 / SPI data output / UART_RX / Low power comparator input / SAR ADC input / GPIO PB[7]
26	VDD3	PWR	Connect to an external 3.3V power supply
27	VDDIO_AMS	PWR	External 3.3V power supply input for analog/mixed signal circuitry.
28	I2C_SDA/PWM4_N/UART_RTS/PGA_P0/PC<0>	Digital I/O	I2C serial data / PWM4 inverting output / UART_RTS / PGA left channel positive input / GPIO PC[0]
29	I2C_SCK/PWM1_N/PWM0/PGA_N0/PC<1>	Digital I/O	I2C serial clock / PWM1 inverting output / PWM0 output / PGA left channel negative input / GPIO PC[1]
30	PWM0/7816_TRX(UART_TX)/I2C_SDA/XC32K_O/PGA_P1/PC<2>	Digital I/O	PWM0 output / UART 7816 TRX (UART_TX) / I2C serial data / (optional) 32kHz crystal output / PGA right channel positive input / GPIO PC[2]
31	PWM1/UART_RX/I2C_SCK/XC32K_I/PGA_N1/PC<3>	Digital I/O	PWM1 output / UART_RX / I2C serial clock / (optional) 32kHz crystal input / PGA right channel negative input / GPIO PC[3]
32	PWM2/UART_CTS/PWM0_N/sar_ain<8>/PC<4>	Digital I/O	PWM2 output / UART_CTS / PWM0 inverting output / SAR ADC input / GPIO PC[4]
33	PWM3_N/UART_RX/ATSEL0/sar_ain<9>/PC<5>	Digital I/O	PWM3 inverting output / UART_RX / Antenna select pin 0 / SAR ADC input / GPIO PC[5]
34	RX_CYC2LNA/ATSEL1/PWM4_N/PC<6>	Digital I/O	Control external LNA / Antenna select pin 1 / PWM4 inverting output / GPIO PC[6]
35	TX_CYC2PA/ATSEL2/PWM5_N/PC<7>	Digital I/O	Control external PA / Antenna select pin 2 / PWM5 inverting output / GPIO PC[7]
36	RESETB	RESET	Power on reset, active low
37	VANT	PWR	Internally generated voltage output to bias internal PA. Connect to ANT using an external inductor.
38	ANT	Analog	RF antenna, connect to VANT using external inductor
39	AVDD1V2	PWR	Power supply input for internal RF Modules. Route from VDD1V2. Connect to GND via external capacitor.
40	XC1	Analog	Connect 24MHz crystal
41	XC2	Analog	Connect 24MHz crystal

No.	Pin Name	Type	Description
42	RX_CYC2LNA/7816_TRX (UART_TX)/PD<0>	Digital I/O	Control external LNA / UART 7816 TRX (UART_TX) / GPIO PD[0]
43	TX_CYC2PA/UART_CTS/PD<1>	Digital I/O	Control external PA / UART_CTS / GPIO PD[1]
44	SPI_CN/I2S_LR/PWM3/PD<2>	Digital I/O	SPI chip select (Active low) / I2S left right channel select / PWM3 output / GPIO PD[2]
45	PWM1_N/I2S_SDI/7816_TRX (UART_TX)/PD<3>	Digital I/O	PWM1 inverting output / I2S serial data input / UART 7816 TRX (UART_TX) / GPIO PD[3]
46	SWM/I2S_SDO/PWM2_N/PD<4>	Digital I/O	Single wire master / I2S serial data output / PWM2 inverting output / GPIO PD[4]
47	PWM0/PWM0_N/PD<5>	Digital I/O	PWM0 output / PWM0 inverting output / GPIO PD[5]
48	CN/UART_RX/ATSELO/PD<6>	Digital I/O	SPI chip select (Active low) / UART_RX / Antenna select pin 0 / GPIO PD[6]

### 1.6.2 Pin layout for TLSR8251F512ET32

Figure 1- 6 shows pin assignment for the TLSR8251F512ET32.

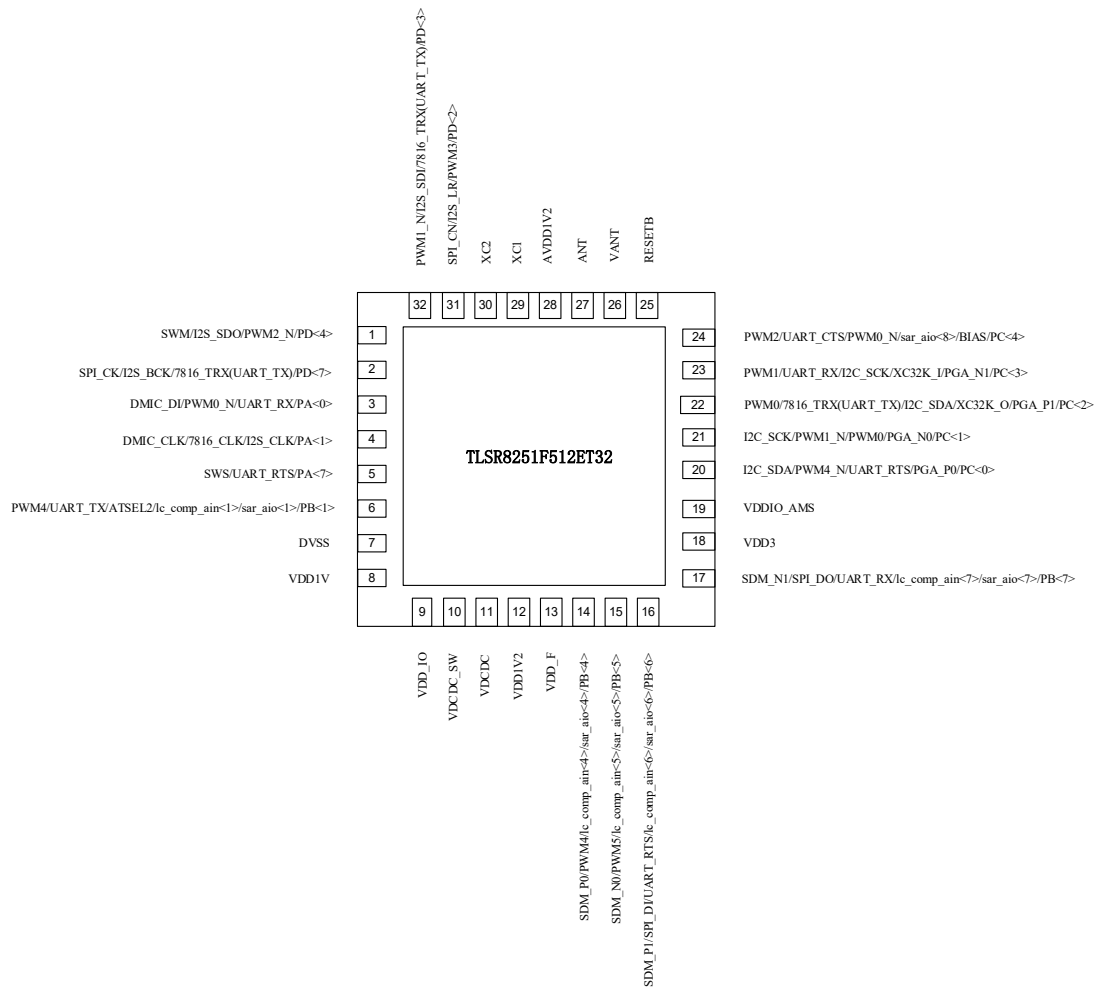


Figure 1- 6 Pin assignment for TLSR8251F512ET32

Functions of 32 pins for the TLSR8251F512ET32 are described in Table 1- 3:

Table 1- 3 Pin functions for TLSR8251F512ET32

No.	Pin Name	Type	Description
1	SWM/I2S_SDO/PWM2_N/ PD<4>	Digital I/O	Single wire master / I2S serial data output / PWM2 inverting output / GPIO PD[4]
2	SPI_CK/I2S_BCK/7816_TRX (UART_TX)/PD<7>	Digital I/O	SPI clock (I2C_SCK) / I2S bit clock / UART 7816 TRX (UART_TX) / GPIO PD[7]
3	DMIC_DI/PWM0_N/UART_RX/ PA<0>	Digital I/O	DMIC data input / PWM0 inverting output / UART_RX / GPIO PA[0]
4	DMIC_CLK/7816_CLK/I2S_CLK/ PA<1>	Digital I/O	DMIC clock / UART 7816 clock / I2S clock / GPIO PA[1]
5	SWS/UART_RTS/PA<7>	Digital I/O	Single wire slave/ UART_RTS / GPIO PA[7]
6	PWM4/UART_TX/ATSEL2/lc_comp_ain<1>/sar_aio<1>/PB<1>	Digital I/O	PWM4 output / UART_TX / Antenna select pin 2 / Low power comparator input / SAR ADC input / GPIO PB[1]
7	DVSS	GND	Digital LDO ground
8	VDD1V	PWR	Internal LDO generated power supply input for digital core
9	VDD_IO	PWR	External 3.3V power supply input for IO
10	VDCDC_SW	Analog	Connect with VDCDC via external inductor
11	VDCDC	Analog	Connect with VDCDC_SW via external inductor
12	VDD1V2	PWR	Internal DCDC generated power supply. Connect to GND via external capacitor. Route this 1.2V voltage power supply to AVDD1V2.
13	VDD_F	PWR	Internally generated power supply to flash. Connect to GND via external capacitor.
14	SDM_P0/PWM4/lc_comp_ain<4>/sar_aio<4>/PB<4>	Digital I/O	SDM positive output 0 / PWM4 output / Low power comparator input / SAR ADC input / GPIO PB[4]
15	SDM_N0/PWM5/lc_comp_ain<5>/sar_aio<5>/PB<5>	Digital I/O	SDM negative output 0 / PWM5 output / Low power comparator input / SAR ADC input / GPIO PB[5]
16	SDM_P1/SPI_DI/UART_RTS/ lc_comp_ain<6>/sar_aio<6>/ PB<6>	Digital I/O	SDM positive output 1 / SPI data input (I2C_SDA) / UART_RTS / Low power comparator input / SAR ADC input / GPIO PB[6]
17	SDM_N1/SPI_DO/UART_RX/ lc_comp_ain<7>/sar_aio<7>/ PB<7>	Digital I/O	SDM negative output 1 / SPI data output / UART_RX / Low power comparator input / SAR ADC input / GPIO PB[7]
18	VDD3	PWR	Connect to an external 3.3V power supply
19	VDDIO_AMS	PWR	External 3.3V power supply input for analog/mixed signal circuitry.
20	I2C_SDA/PWM4_N/UART_RTS/ PGA_P0/PC<0>	Digital I/O	I2C serial data / PWM4 inverting output / UART_RTS / PGA left channel positive input / GPIO PC[0]
21	I2C_SCK/PWM1_N/PWM0/ PGA_N0/PC<1>	Digital I/O	I2C serial clock / PWM1 inverting output / PWM0 output / PGA left channel negative input / GPIO PC[1]
22	PWM0/7816_TRX(UART_TX)/I2C_SDA/XC32K_O/PGA_P1/PC<2>	Digital I/O	PWM0 output / UART 7816 TRX (UART_TX) / I2C serial data / (optional) 32kHz crystal output / PGA right channel positive input / GPIO PC[2]

No.	Pin Name	Type	Description
23	PWM1/UART_RX/I2C_SCK/XC32K_I/PGA_N1/PC<3>	Digital I/O	PWM1 output / UART_RX / I2C serial clock / (optional) 32kHz crystal input / PGA right channel negative input / GPIO PC[3]
24	PWM2/UART_CTS/PWM0_N/sar_aio<8>/PC<4>	Digital I/O	PWM2 output / UART_CTS / PWM0 inverting output / SAR ADC input / GPIO PC[4]
25	RESETB	RESET	Power on reset, active low
26	VANT	PWR	Internally generated voltage output to bias internal PA. Connect to ANT using an external inductor.
27	ANT	Analog	RF antenna, connect to VANT using external inductor
28	AVDD1V2	PWR	Power supply input for internal RF Modules. Route from VDD1V2. Connect to GND via external capacitor.
29	XC1	Analog	Connect 24MHz crystal
30	XC2	Analog	Connect 24MHz crystal
31	SPI_CN/I2S_LR/PWM3/PD<2>	Digital I/O	SPI chip select (Active low) / I2S left right channel select / PWM3 output / GPIO PD[2]
32	PWM1_N/I2S_SDI/7816_TRX (UART_TX)/PD<3>	Digital I/O	PWM1 inverting output / I2S serial data input / UART 7816 TRX (UART_TX) / GPIO PD[3]

### 1.6.3 Pin layout for TLSR8251F512ET24

Figure 1- 7 shows pin assignment for the TLSR8251F512ET24.

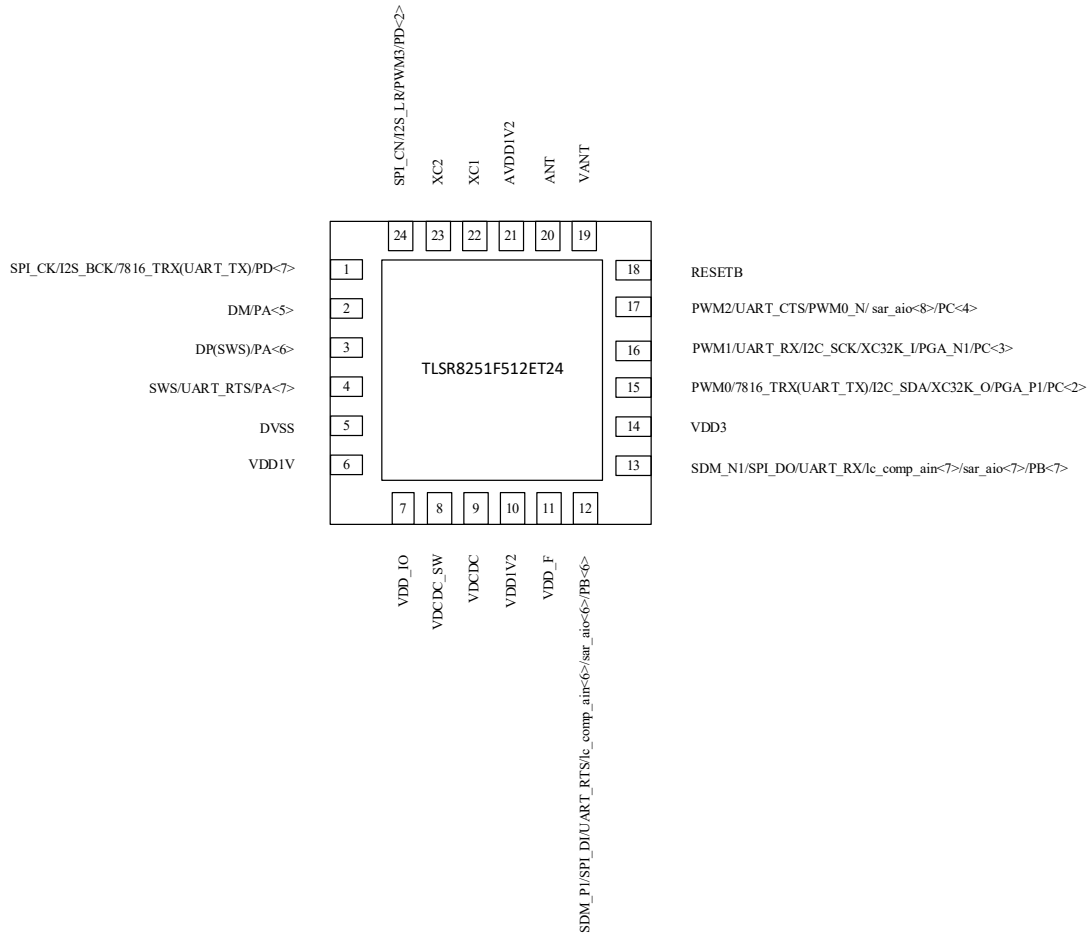


Figure 1- 7 Pin assignment for TLSR8251F512ET24

Functions of 24 pins for the TLSR8251F512ET24 are described in Table 1- 4:

Table 1- 4 Pin functions for TLSR8251F512ET24

No.	Pin Name	Type	Description
1	SPI_CK/I2S_BCK/7816_TRX (UART_TX)/PD<7>	Digital I/O	SPI clock (I2C_SCK) / I2S bit clock / UART 7816 TRX (UART_TX) / GPIO PD[7]
2	DM/PA<5>	Digital I/O	USB data minus / GPIO PA[5]
3	DP(SWS)/PA<6>	Digital I/O	USB data positive (Single wire slave) / GPIO PA[6]
4	SWS/UART_RTS/PA<7>	Digital I/O	Single wire slave/ UART_RTS / GPIO PA[7]
5	DVSS	GND	Digital LDO ground
6	VDD1V	PWR	Internal LDO generated power supply input for digital core
7	VDD_IO	PWR	External 3.3V power supply input for IO
8	VDCDC_SW	Analog	Connect with VDCDC via external inductor
9	VDCDC	Analog	Connect with VDCDC_SW via external inductor

No.	Pin Name	Type	Description
10	VDD1V2	PWR	Internal DCDC generated power supply. Connect to GND via external capacitor. Route this 1.2V voltage power supply to AVDD1V2.
11	VDD_F	PWR	Internally generated power supply to flash. Connect to GND via external capacitor.
12	SDM_P1/SPI_DI/UART_RTS/ lc_comp_ain<6>/sar_aio<6>/ PB<6>	Digital I/O	SDM positive output 1 / SPI data input (I2C_SDA) / UART_RTS / Low power comparator input / SAR ADC input / GPIO PB[6]
13	SDM_N1/SPI_DO/UART_RX/ lc_comp_ain<7>/sar_aio<7>/ PB<7>	Digital I/O	SDM negative output 1 / SPI data output / UART_RX / Low power comparator input / SAR ADC input / GPIO PB[7]
14	VDD3	PWR	Connect to an external 3.3V power supply
15	PWM0/7816_TRX(UART_TX)/I2C_SDA/XC32K_O/PGA_P1/PC<2>	Digital I/O	PWM0 output / UART 7816 TRX (UART_TX) / I2C serial data / (optional) 32kHz crystal output / PGA right channel positive input / GPIO PC[2]
16	PWM1/UART_RX/I2C_SCK/XC32K_I/PGA_N1/PC<3>	Digital I/O	PWM1 output / UART_RX / I2C serial clock / (optional) 32kHz crystal input / PGA right channel negative input / GPIO PC[3]
17	PWM2/UART_CTS/PWM0_N/ sar_aio<8>/PC<4>	Digital I/O	PWM2 output / UART_CTS / PWM0 inverting output / SAR ADC input / GPIO PC[4]
18	RESETB	RESET	Power on reset, active low
19	VANT	PWR	Internally generated voltage output to bias internal PA. Connect to ANT using an external inductor.
20	ANT	Analog	RF antenna, connect to VANT using external inductor
21	AVDD1V2	PWR	Power supply input for internal RF Modules. Route from VDD1V2. Connect to GND via external capacitor.
22	XC1	Analog	Connect 24MHz crystal
23	XC2	Analog	Connect 24MHz crystal
24	SPI_CN/I2S_LR/PWM3/PD<2>	Digital I/O	SPI chip select (Active low) / I2S left right channel select / PWM3 output / GPIO PD[2]

#### 1.6.4 Notes

- 1) All digital IOs including PA<0> ~ PD<7> can be used as GPIOs and have configurable pull-up/pull-down resistor.
- 2) SPI:
  - ✧ PD<7>: SPI\_CK, PB<6>: SPI\_DI, PB<7>: SPI\_DO, PD<2>: SPI\_CN
  - ✧ PA<2>: DO, PA<3>: DI, PA<4>: CK, PD<6>: CN
- 3) I2C:
  - ✧ PC<0> ~ PC<3> can be used as I2C. PC<0>: I2C\_SDA, PC<1>: I2C\_SCK, PC<2>: I2C\_SDA, PC<3>: I2C\_SCK
  - ✧ I2C can also be multiplexed with SPI interface, i.e. I2C\_SDA/I2C\_SCK can be multiplexed with SPI\_DI (DI)/SPI\_CK (CK) respectively.
- 4) Audio PGA/AMIC input: PC<0>~PC<3>. Please refer to section **12 PGA**.  
Any GPIO pin can be used as AMIC BIAS.
- 5) DMIC:
  - ✧ PA<0>: DMIC\_DI, PA<1>: DMIC\_CLK
- 6) I2S:
  - ✧ PD<7>: I2S\_BCK, PA<1>: I2S\_CLK, PD<2>: I2S\_LR, PD<3>: I2S\_SDI, PD<4>: I2S\_SDO
- 7) Stereo audio output:
  - ✧ PB<4>: SDM\_P0, PB<5>: SDM\_N0, PB<6>: SDM\_P1, PB<7>: SDM\_N1
- 8) UART:
  - ✧ PA<0>: UART\_RX, PA<2>: UART\_TX, PB<0>: UART\_RX, PB<1>: UART\_TX, PB<7>: UART\_RX, PC<2>: UART\_TX, PC<3>: UART\_RX, PC<5>: UART\_RX, PD<0>: UART\_TX, PD<3>: UART\_TX, PD<6>: UART\_RX, PD<7>: UART\_TX
  - ✧ UART hardware flow control:  
PA<3>: UART\_CTS, PA<4>: UART\_RTS, PA<7>: UART\_RTS, PB<2>: UART\_CTS, PB<3>: UART\_RTS, PB<6>: UART\_RTS, PC<0>: UART\_RTS, PC<4>: UART\_CTS, PD<1>: UART\_CTS
  - ✧ UART 7816:  
PD<7>: 7816\_TRX (UART\_TX), PA<1>: 7816\_CLK, PC<2>: 7816\_TRX (UART\_TX), PD<0>: 7816\_TRX (UART\_TX), PD<3>: 7816\_TRX (UART\_TX)
- 9) USB:
  - ✧ PA<5>: DM, PA<6>: DP
- 10) Single Wire debug interface:
  - ✧ PA<7>: SWS
  - ✧ SWS can also be multiplexed with DP.
  - ✧ PD<4>: SWM
- 11) RX\_CYC2LNA & TX\_CYC2PA:
  - ✧ PB<2>: RX\_CYC2LNA, PB<3>: TX\_CYC2PA, PC<6>: RX\_CYC2LNA, PC<7>: TX\_CYC2PA, PD<0>:

RX\_CYC2LNA, PD<1>: TX\_CYC2PA

- ✧ RX\_CYC2LNA/TX\_CYC2PA serves to control enabling external PA/LNA. Please refer to section 3.1 Block diagram.

12) ATSEL0~2:

- ✧ PB<0>: ATSEL1, PB<1>: ATSEL2, PC<5>: ATSEL0, PC<6>: ATSEL1, PC<7>: ATSEL2, PD<6>: ATSEL0
- ✧ ATSEL0~2 serves to select one of up to eight external antennas connected to the antenna select component. The selected antenna channel is connected to the RF\_IO pin.

13) Low power comparator input: PB<1>~ PB<7>. Please refer to chapter 13.

14) ADC GPIO input: PB<0>~ PB<7>, PC<4>~ PC<5>.

15) For register configuration to select pin multiplexed function, please refer to section 7.1.1.3 Multiplexed functions.

16) For 24MHz crystal, the load capacitor range supported by design is 7.33pF~12.66pF. If the crystal needs load capacitor of 15pF, two external capacitors will be required.

17) Do not use PC<7:5> for dynamic applications. It's highly recommended to use these IOs in DC applications, e.g. as control or detect lines.

18) Pin drive strength:

- ✧ PA<5:7> and PB<0:3> support drive strength up to 8mA (8mA when "DS"=1, 4mA when "DS"=0); PB<4:7> support drive strength up to 16mA (16mA when "DS"=1, 12mA when "DS"=0); other GPIOs (PA<0:4>, PC<0:7> and PD<0:7>) support drive strength up to 4mA (4mA when "DS"=1, 2mA when "DS"=0).
- ✧ "DS" configuration will take effect when the pin is used as output. Please refer to section 7.1.1 Basic configuration for the corresponding "DS" register address and the default setting.

19) When PB[0] and PB[1] are used as wakeup source, they can only act as input IO signals instead of output IO signals when normal working. The PC[7:0] can only wake up the chip at low level voltage.

## 2 Memory and MCU

### 2.1 Memory

The TLSR8251 embeds 32kB SRAM with retention in deep sleep as data memory, and 512kB internal FLASH as program memory.

#### 2.1.1 SRAM/Register

SRAM/Register memory map is shown as follows:

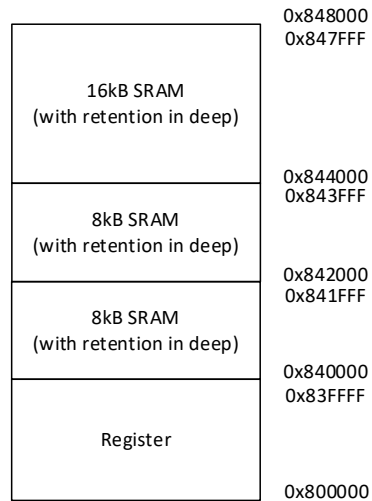


Figure 2- 1 Physical memory map

Register address: 0x800000 ~ 0x83FFFF.

Address for two independent 8kB SRAMs with retention in deep sleep: 0x840000 ~ 0x841FFF, 0x842000 ~ 0x843FFF.

Address for 16kB SRAM with retention in deep sleep: 0x844000 ~ 0x847FFF.

Both register and SRAM address can be accessed (read or write) via debugging interface (SWS/SWM, SPI/I2C/USB interface).

Register (Base address: 0x800000)	
RSVD	
Modem	0x40000
RSVD	0x01200
RSVD	0x01020
linklayer	0x01000
RSVD	0x00f00
dma	0x00d00
DMA fifo	0x00c00
RSVD	0x00b00
pwm	0x00800
System timer	0x00780
RSVD	0x00740
MCU	0x00700
gpio	0x00600
audio	0x00580
AES	0x00560
RSVD	0x00540
Baseband	0x00500
RSVD	0x00400
usb	0x00200
I2C address map	0x00100
qdec	0x000e0
RSVD	0x000d0
RSVD	0x000c0
uart	0x000b8
swire	0x000b4
RSVD	0x000b0
uart	0x000a0
RSVD	0x00090
System control	0x00080
RSVD	0x00040
RSVD	0x00010
RSVD	0x0000c
spi	0x00008
i2c	0x00000

Figure 2- 2 Register space

### 2.1.2 Flash

The internal Flash mainly supports page program, sector/block/chip erase operations, and deep power down operation. Please refer to the corresponding SDK manual for Flash memory operation details.

For chip identification and traceability, the Flash is preloaded with Unique ID (UID). User is not allowed to modify this preloaded UID, but can read the UID via corresponding API interface.

MCU uses the system frequency to load instructions, and adopts flash driver to access (read/write) flash with the speed of half of the system clock.

## 2.2 Firmware encryption

The TLSR8251 supports multiple firmware encryption methods to achieve the anti-cloning protection, including:

#### ✧ UID-based authentication code generation method

During firmware burning (e.g. via specific burning jig), user can use customized key and AES encryption algorithm to encrypt the UID read from the chip flash, generate unique ciphertext and write the ciphertext into Flash section.

During application, an encryption authentication procedure is added. User should use the same key and AES encryption algorithm to encrypt the UID read from the chip flash, and generate new ciphertext. Before running main application firmware, the new ciphertext will be compared with the ciphertext read from the Flash section. Only when the authentication passes, i.e. the comparison result matches, the main firmware will be up and running, otherwise the chip will stop running the main firmware.

#### ✧ Bootloader-based firmware encryption/decryption

The firmware can be encrypted using a customer-provided security key. The customer security key is written into a specific secure register, and becomes unreadable. Any attempt to read the key will only result in either all 1's or all 0's.

The encrypted firmware can be generated based on the plaintext firmware and the customer security key. The customer can burn the security key into the obscured memory area and also the encrypted firmware into Flash.

The firmware is readable by all, but appears as garbled binaries to 3<sup>rd</sup> party.

## 2.3 MCU

The TLSR8251 integrates a powerful 32-bit MCU developed by Telink. The digital core is based on 32-bit RISC, and the length of instructions is 16 bits; four hardware breakpoints are supported.

## 2.4 Working modes

The TLSR8251 supports six working modes, including Active, Idle, Suspend, Deep sleep with SRAM retention, deep sleep without SRAM retention, and Shutdown.

✧ The Power Management (PM) module is always active in all working modes.

- ✧ For modules such as MCU, RF transceiver (Radio), and SRAM, the state depends on working mode, as shown below.

Table 2- 1 Working modes

Mode	Active	Idle	Suspend	Deep sleep with SRAM retention	Deep sleep without SRAM retention	Shutdown
MCU	active	stall	stall	off	off	off
Radio	available	available	off	off	off	off
USB	available	available	off	off	off	off
Audio	available	available	off	off	off	off
Wakeup time to Active mode	---	0us	100us	Shorter than deep sleep without retention, almost same as Suspend	1ms	10ms
(16k+8k+8k) retention SRAMs (with retention in deep sleep)	full	full	full	full	off	off
Wakeup on RTC (32K Timer wakeup)	---	---	available	available	available	off
Wakeup on pin (IO wakeup)	---	---	available	available	available	off
Wakeup on interrupt	---	available	---	---	---	---
Wakeup on reset pin (RESETB)	---	available	available	available	available	on
Current	Please refer to section <b>15.3 DC characteristics</b> .					

**\*Notes:**

- 1) "active": MCU is at working state.
- 2) "stall": In Idle and Suspend mode, MCU does not work, while its clock is still running.
- 3) "available" for Modules: It's selectable to be at working state, or stall/be powered down if it does not need to work.
- 4) "available"/"on" for wakeup: Corresponding wakeup method is supported.
- 5) "off" for wakeup: Corresponding wakeup method is not supported.
- 6) "on"/"off"/"full" for SRAMs:
  - ✧ "on": The 32kB SRAM is powered on and works normally (can be accessed) in Active, Idle and Suspend mode.
  - ✧ "full": Full speed. In Active, Idle and Suspend mode, the two 8kB and one 16kB retention SRAMs are powered on and work normally (can be accessed); in Deep sleep with SRAM retention, the retention SRAMs are powered on, however, the contents of the retention SRAMs can be retained and cannot be accessed.
  - ✧ "off": The 32kB SRAM is powered down in two Deep sleep modes and Shutdown mode. The retention SRAMs are powered down in Deep sleep without SRAM retention and Shutdown mode.

## 7) Current:

- ✧ In Deep sleep without SRAM retention, only the PM module is active, all digital and analog modules are powered down, thus the power consumption is largely decreased.
- ✧ In Deep sleep with SRAM retention, the PM module is active, all analog and digital modules except for the retention SRAMs are powered down, thus the power consumption is a little higher than in Deep sleep without SRAM retention, but much lower than in Suspend.

Table 2- 2 Retention analog registers in deep sleep

Address	R/W	Description	Default Value
0x35	R/W	buffer, watch dog reset clean	0x20
0x36	R/W	buffer, watch dog reset clean	0x00
0x37	R/W	buffer, watch dog reset clean	0x00
0x38	R/W	buffer, watch dog reset clean	0x00
0x39	R/W	buffer, watch dog reset clean	0xff
0x3a	R/W	buffer, power on reset clean	0x00
0x3b	R/W	buffer, power on reset clean	0x00
0x3c	R/W	buffer, power on reset clean	0x00

Analog registers (0x35 ~ 0x3c) as shown in Table 2- 2 are retained in deep sleep mode and can be used to store program state information across deep sleep cycles.

- ✧ Analog registers 0x3a~0x3c are non-volatile even when chip enters deep sleep or chip is reset by watchdog or software, i.e. the contents of these registers won't be changed by deep sleep or watchdog reset or chip software reset.
- ✧ Analog registers 0x35~0x39 are non-volatile in deep sleep, but will be cleared by watchdog reset or chip software reset.
- ✧ After POR (Power-On-Reset), all registers will be cleared to their default values, including these analog registers.

User can set flag in these analog registers correspondingly, so as to check the booting source by reading the flag.

For chip software reset, please refer to section 2.5 Reset.

## 2.5 Reset

The chip supports three types of reset methods, including POR (Power-On-Reset), watchdog reset and software reset.

- 1) POR: After power on, the whole chip will be reset, and all registers will be cleared to their default values.
- 2) Watchdog reset: A programmable watchdog is supported to monitor the system. If watchdog reset is triggered, registers except for the retention analog registers 0x3a~0x3c will be cleared.
- 3) Software reset: It is also feasible to carry out software reset for the whole chip or some modules.

- ✧ Setting address 0x6f[5] as 1b'1 is to reset the whole chip. Similar to watchdog reset, the retention analog registers 0x3a~0x3c are non-volatile, while other registers including 0x35~0x39 will be cleared by chip software reset.
- ✧ Addresses 0x60~0x62 serve to reset individual modules: if some bit is set to logic "1", the corresponding module is reset.

Table 2- 3 Register configuration for software reset

Address	R/W	Description	Default Value
0x60	R/W	Reset control, 1 for reset, 0 for clear [0]: SPI [1]: I2C [2]: UART (rs232) [3]: USB [4]: PWM [5]: QDEC [6]: RSVD [7]: Swire	0x7c
0x61	R/W	[0] ZB [1] System Timer [2] DMA [3] ALGM [4] AES [5] ADC [6] ALG [7] RSVD	0xff
0x62	R/W	[0] AIF [1] Audio [2] DFIFO [3] RSVD [4] RISC [5] MCIC [6] RISC1 (R) [7] MCIC1 (R)	0xc7
0x6f	R/W	[0]: suspend enable (RW) [5]: rst all (act as watchdog reset) [6]: rsvd (mcu low power mode) (W) [7]: stall mcu trig If bit[0] set 1, then system will go to suspend. Or only stall mcu (W)	0x00

## 2.6 Power Management

The multiple-stage Power Management (PM) module is flexible to control power state of the whole chip or individual functional blocks such as MCU, RF Transceiver, and peripherals.

### 2.6.1 Power-On-Reset (POR) and Brown-out detect

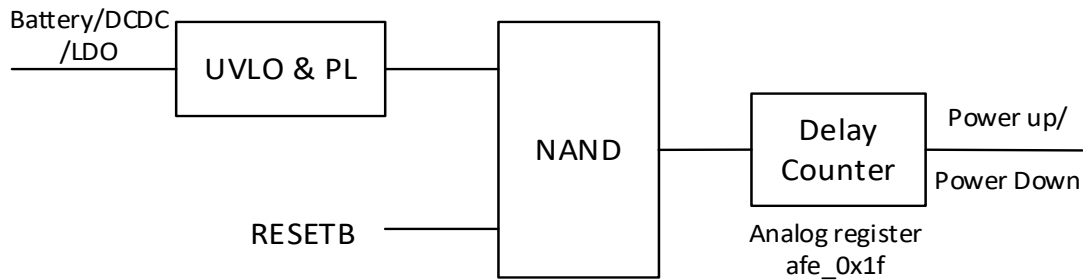


Figure 2- 3 Control logic for power up/down

The whole chip power up and down is controlled by the UVLO (Ultra-low Voltage Lockout) & PL (Power Logic) module and the external RESETB pin via the logic shown in the above diagram. UVLO takes the external power supply as input and releases the lock only when the power supply voltage is higher than a preset threshold. The RESETB pin has an internal pull-up resistor; an external Cap can be connected on the RESETB pin to control the POR delay.

After both UVLO and RESETB release, there is a further configurable delay before the system reset signal (“Sysrst”) is released. The delay is adjusted by analog register afe\_0x1f. Since the content of afe\_0x1f is reset to default only after power cycle, watchdog reset, or software reset, the delay change using afe\_0x1f is only applicable when the chip has not gone through these reset conditions. For example, after deep sleep wakeup, the setting in afe\_0x1f will take effect.

Table 2- 4 Analog register to control delay counters

Address	R/W	Description	Default Value
afe_0x1f	R/W	wait for DCDC ready (16kHz count)	0x40

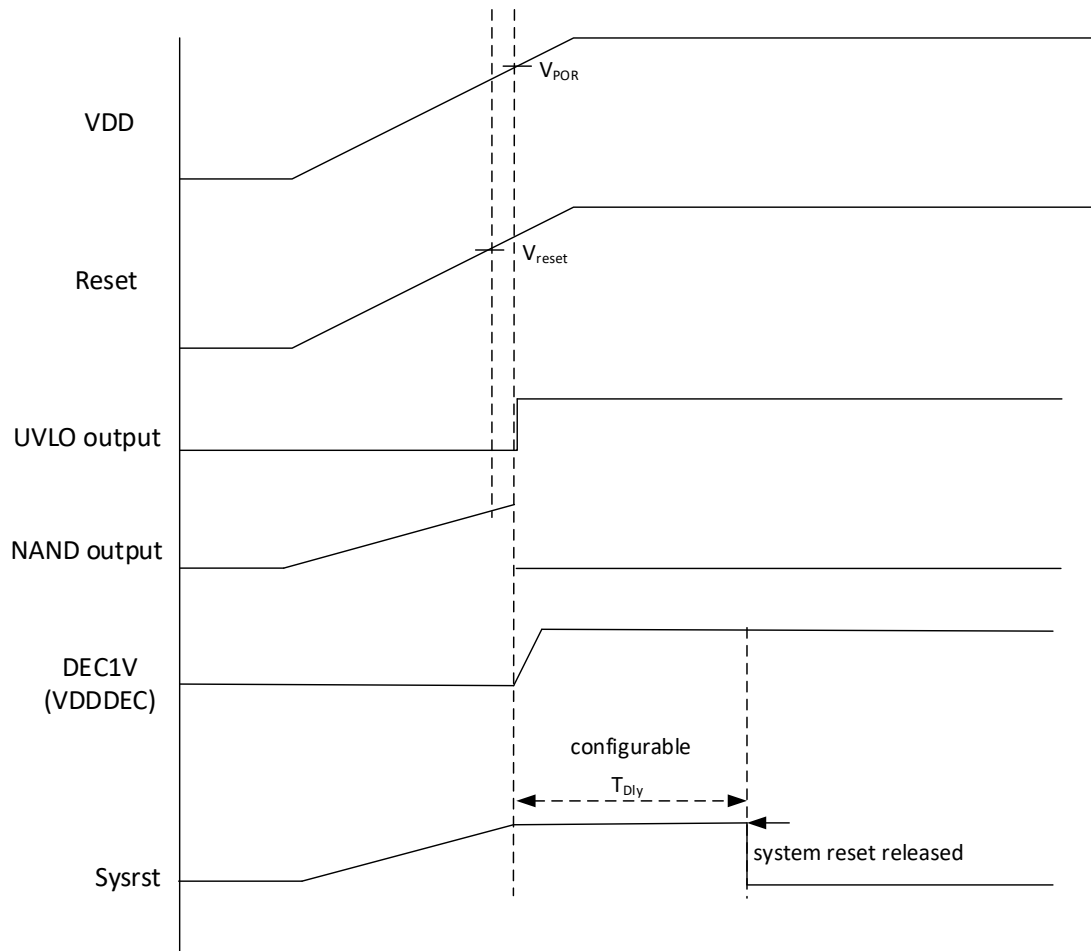
**Initial Power up**


Figure 2- 4 Initial Power-up sequence

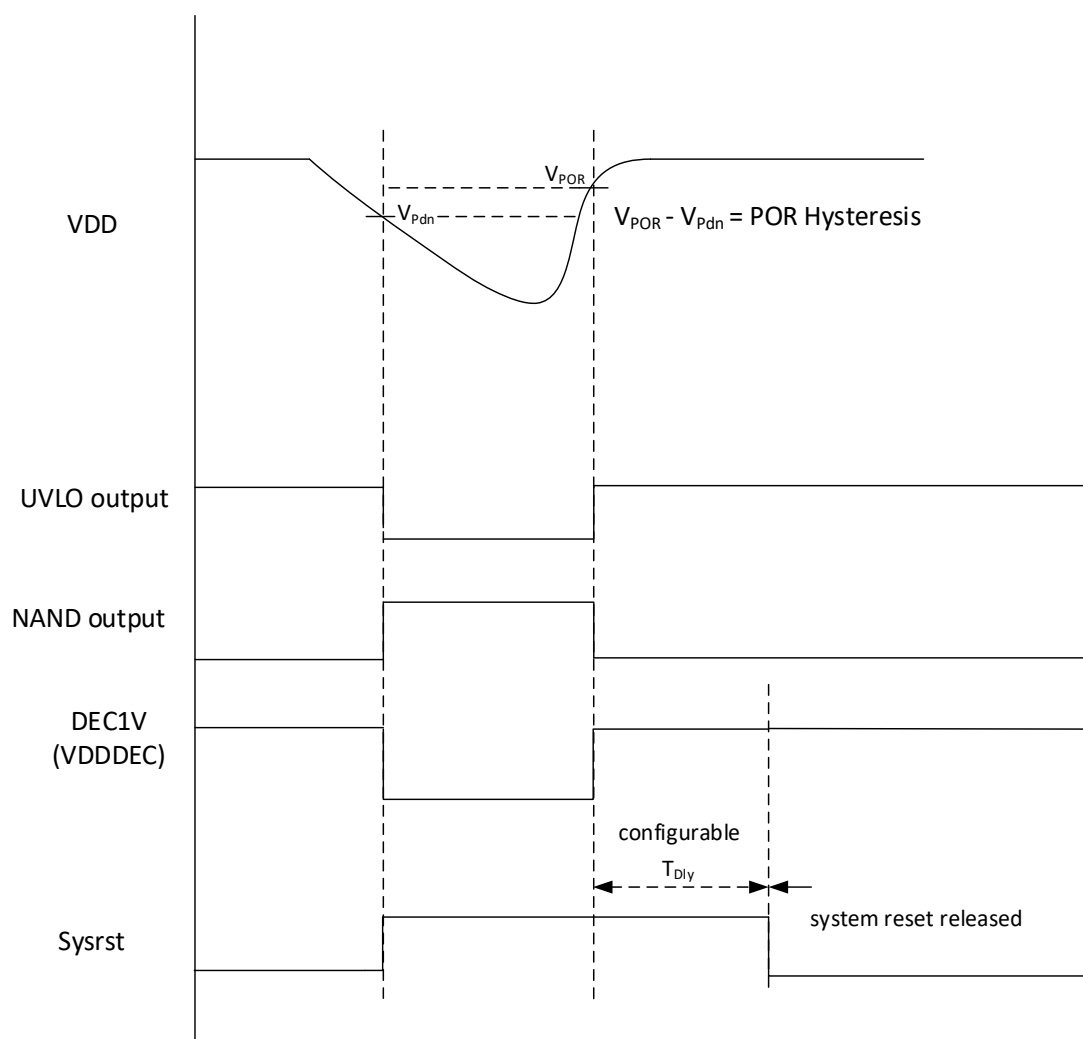
**Power down**


Figure 2- 5 Power-down sequence

Table 2- 5 Characteristics of Initial Power-up/ Power-down sequence

Symbol	Parameter	Min.	Typ.	Max.	Unit
$V_{POR}$	VDD voltage when $V_{UVLO}$ turns to high level		1.62		V
$V_{Pdn}$	VDD voltage when $V_{UVLO}$ turns to low level		1.55		V
$T_{Dly}$	Delay counter value	Configurable via analog register afe_0x1f			

## 2.6.2 Working mode switch

In Active mode, MCU is active, all SRAMs are accessible, and other modules are selectable whether to be at working state.

The chip can switch to Idle mode to stall the MCU. In this mode, all SRAMs are still accessible, modules such as RF transceiver, Audio and USB are still selectable whether to be at working state. The chip can be triggered to Active mode by interrupt or RESETB pin, and the time to switch to Active mode is negligible.

To decrease power consumption to different levels, the chip can switch to power saving mode (Suspend, Deep sleep with SRAM retention, Deep sleep without SRAM retention, Shutdown) correspondingly. (Please refer to Table 2- 1.)

- ✧ In Suspend mode, MCU stalls, all SRAMs are still accessible, the PM module is active, modules such as RF transceiver, Audio and USB are powered down. The chip can be triggered to Active mode by 32K Timer, IO pin or RESETB pin. It takes 100us or so to switch from Suspend mode to Active mode.
- ✧ In Deep sleep with SRAM retention, the PM module is active, analog and digital modules except for the two 8kB and one 16kB retention SRAMs are powered down, while the retention SRAMs can be retained and not accessible. The chip can be triggered to Active mode by 32K Timer, IO pin or RESETB pin. The time to switch to Active mode is shorter than Deep sleep without SRAM retention and close to Suspend.
- ✧ In Deep sleep without SRAM retention, only the PM module is active, while analog and digital modules including the retention SRAMs are powered down. The chip can be triggered to Active mode by 32K Timer, IO pin or RESETB pin. The time to switch to Active mode is 1ms or so.
- ✧ In Shutdown mode, all digital and analog modules are powered down, and only the PM module is active. The chip can be triggered to Active mode by RESETB pin only. The time to switch to Active mode is 10ms or so.

User can directly invoke corresponding library function to switch working mode of the chip.

If certain module doesn't need to work, user can power down this module in order to save power.

Table 2- 6 3.3V analog registers for module power up/down control

Address	Local name	Default	Description
afe_0x05<0>	32K_rc_pd	0	Power down 32kHz RC oscillator 1: Power down, 0: Power up
afe_0x05<1>	32k_xtal_pd	1	Power down 32kHz crystal 1: power down, 0: power up
afe_0x05<2>	24M_rc_pd	0	Power down of 24MHz RC oscillator 1: Power down, 0: Power up
afe_0x05<3>	xtal_LDO_pd	0	Power down of 24MHz crystal oscillator 1: Power down, 0: Power up
afe_0x05<4>	pd_pl_all_3v	0	Power down of power logic, 4.2V VBUS_LDO and DCDC 1: Power down, 0: Power up

Address	Local name	Default	Description
afe_0x05<5>	pd_pl_dc3v	0	Power down of DCDC 1: Power down, 0: Power up
afe_0x05<6>	pd_pl_vbus_ldo_3v	0	Power down of VBUS_LDO 1: Power down, 0: Power up
afe_0x05<7>	ana_ldo_pd_3V	0	Power down baseband pll LDO 1: Power down, 0: Power up
afe_0x06	rsvd		
afe_0x07<0>	spd_ldo_pd	1	Power down of spd ldo 1: Power down, 0: power up
afe_0x07<1>	dig_ldo_pd	0	Power down of main digital ldo 1: Power down, 0: power up
afe_0x07<2>	dig_ret_pd	1	Power down of retention ldo 1: Power down, 0: power up
afe_0x07<3>	pd_lc_comp_3v	1	Power down of low current comparator: 1: Power down, 0: Power up
afe_0x07<4>	pd_temp_sensor_3v	1	Power down of temperature sensor: 1: Power down, 0: Power up

### 2.6.3 LDO and DCDC

The chip embedded DCDC can generate 1.8V output voltage and supply power for the internal flash; the DCDC can also generate 1.4V output voltage.

The embedded LDO regulator takes the 1.4V voltage output from the DCDC, and generates 1.2V regulated voltage to supply power for 1.2V digital core and analog modules in Active/Idle/Suspend mode.

### 2.6.4 VBAT and VANT power-supply mode

The RF PA module has two power-supply modes including VBAT mode and VANT mode.

- ✧ In VBAT mode, the RF PA module is supplied by 3.3V voltage regulated from 4.2V lithium battery or directly from two AA/AAA batteries in series. The maximum output power is related to power supply voltage of RF PA, for example, the maximum power is 10dBm at 3.3V power supply.
- ✧ In VANT mode, the RF PA module is supplied with 1.2V voltage by the embedded DCDC. In this mode, output power won't change with AVDD basically, and the maximum power is 5dBm or so. Corresponding to the VBAT mode, the VANT mode is more power-saving at the same Tx power.

When the chip works in VBAT mode, it can be configured to the maximum output power. However,

as the VBAT/VDD supply decreases below 3.0 V, the maximum transmit power of TX is then slightly attenuated. The detailed RF transmit power level refers to the code comments in the corresponding driver SDK, in which the RF transmit power level under VBAT mode is the result tested in 3.3 V VBAT voltage.

## 2.7 Wakeup sources

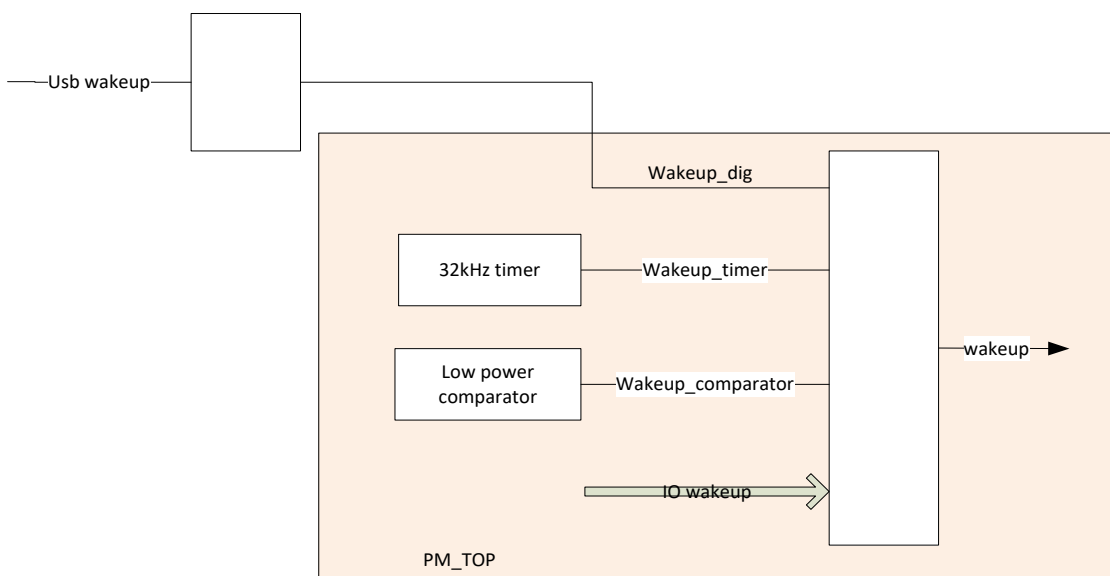


Figure 2- 6 Wakeup sources

### 2.7.1 Wakeup source - USB

This wakeup source can only wake up the system from suspend mode.

First, set the digital register 0x6e bit[2] as 1b'1.

To activate this mode, analog register afe\_0x26[5] should also be set as 1b'1.

Once USB host sends out resuming signal, the system will be woke up.

### 2.7.2 Wakeup source – 32kHz timer

This wakeup source is able to wake up the system from suspend mode or two deep sleep modes.

To enable the wakeup source from 32kHz timer, analog register afe\_0x26[6] should be set as 1b'1.

### 2.7.3 Wakeup source – low power comparator

This wakeup source is able to wake up the system from suspend mode or two deep sleep modes.

To enable the wakeup source from low power comparator, analog register 0x26[7] should be set as 1b'1. The low power comparator wakeup is active high.

### 2.7.4 Wakeup source – IO

This wakeup source is able to wake up the system from suspend mode or two deep sleep modes. And IO wakeup supports high level or low level wakeup which is configurable via polarity control registers.

Analog register afe\_0x26[4] should be set as 1b'1 to enable IO wakeup source.

Enabling control analog registers: PA[7:0] enabling control register is afe\_0x27[7:0], PB[7:0] enabling control register is afe\_0x28[7:0], PC[7:0] enabling control register is afe\_0x29[7:0], and PD[7:0] enabling control register is afe\_0x2a[7:0]. Total wakeup pin can be up to 32.

Polarity control registers: PA[7:0] polarity control register is afe\_0x21[7:0], PB[7:0] polarity control register is afe\_0x22[7:0], PC[7:0] polarity control register is afe\_0x23[7:0], and PD[7:0] polarity control register is afe\_0x24[7:0].

The corresponding driver is available so that user can directly invoke it to use IO wakeup source.

Analog register 0x44[3:0] indicates the wakeup source which triggers system wakeup. After wakeup, the corresponding wakeup status will be set as 1b'1 automatically, and it's needed to write 1 to manually clean the status.

### 2.7.5 Register table

Table 2- 7 Analog registers for Wakeup

Address	R/W	Description	Default Value
afe_0x21	R/W	Polarity control registers for IO wakeup	0x00
afe_0x22	R/W		0x00
afe_0x23	R/W		0x00
afe_0x24	R/W		0x00
afe_0x25	R	Reserved	-
afe_0x26	R/W	[7] low power comparator wakeup enable	0x00
		[6] 32kHz timer wakeup enable	
		[5] digital core (USB) wakeup enable	
		[4] IO (pad) wake up enable	
		[3] Enable/Mask filter for IO (Pad) wakeup 1: Select 16μs filter to filter out jitter on IO PAD input. 0: IO Pad combinational logic output (disable filter)	
afe_0x27	R/W	Enabling control registers for IO wakeup	0x00
afe_0x28	R/W		0x00
afe_0x29	R/W		0x00
afe_0x2a	R/W		0x00
afe_0x44	R	[7] dcdc_rdy	-
		[6] wd_status	
		[5] cal_done_24m	
		[4] cal_done_32k	
		[3] IO (pad) wakeup status	
		[2] digital core (USB) wakeup status	
		[1] 32k timer wakeup status	

Address	R/W	Description	Default Value
		[0] low power comparator wakeup status	

Table 2- 8 Digital register for Wakeup

Address	R/W	Description	Default Value
0x6e	R/W	Wakeup enable [0]: enable wakeup from I2C host [1]: enable wakeup from SPI host [2]: enable wakeup from USB [3]: enable wakeup from gpio [4]: enable wakeup from I2C synchronous interface System resume control [5]: enable GPIO remote wakeup [6]: if set to 1, system will issue USB resume signal on USB bus [7] sleep wakeup reset system enable	0x1f

### 3 BLE/802.15.4/2.4GHz RF Transceiver

#### 3.1 Block diagram

The TLSR8251 integrates an advanced BLE/802.15.4/2.4GHz RF transceiver. The RF transceiver works in the worldwide 2.4GHz ISM (Industrial Scientific Medical) band.

The transceiver consists of a fully integrated RF synthesizer, a Power Amplifier (PA), a Low Noise Amplifier (LNA), a TX filter, a RX filter, a TX DAC, an ADC, a modulator and a demodulator. The transceiver can be configured to work in standard-compliant 1Mbps BLE mode, 2Mbps enhancement BLE mode, 125kbps BLE long range mode (S8), 500kbps BLE long range mode (S2), IEEE 802.15.4 standard-compliant 250kbps mode, and Proprietary 1Mbps, 2Mbps, 250kbps and 500kbps mode.

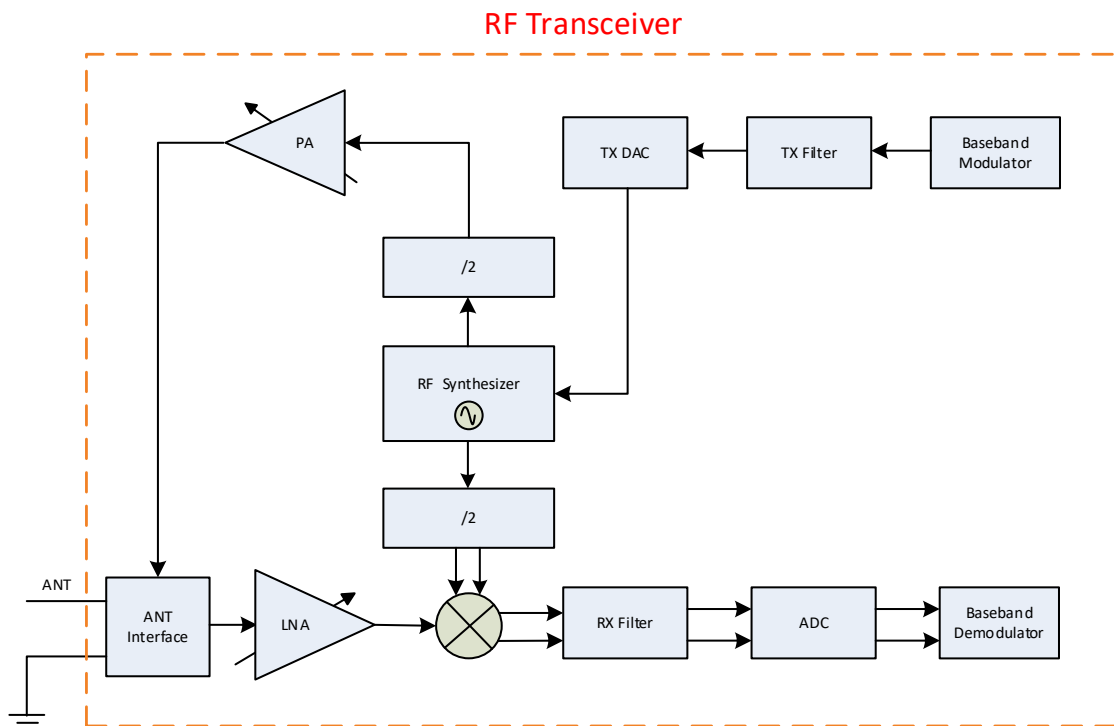


Figure 3- 1 Block diagram of RF transceiver

To control external PA and LNA, first follow the GPIO lookup table (see section 7.1.1.1 GPIO lookup table) to configure the specific two pins as TX\_CYC2PA and RX\_CYC2LNA function, respectively. Note: To use TX\_CYC2PA and RX\_CYC2LNA function for the two pins, other functions with higher polarity should be disabled at the same time.

After the two pins are configured as TX\_CYC2PA and RX\_CYC2LNA function, the output function is enabled. Generally the two pins are high active: When both the two pins output low level, the external PA and LNA are disabled; when one of the two pins output high level, the external PA/LNA are enabled correspondingly; the two pins won't output high level simultaneously.

Table 3- 1 External RF transceiver control example

TX_CYC2PA	RX_CYC2LNA	External RF transceiver
L	L	Both LNA and PA OFF
L	H	LNA ON
H	L	PA ON

H	H	N/A
---	---	-----

The internal PA can deliver a maximum 10dBm output power, avoiding the need for an external RF PA.

### 3.2 Air interface data rate and RF channel frequency

Air interface data rate, the modulated signaling rate for RF transceiver when transmitting and receiving data, is configurable via related register setting: 125kbps, 250kbps, 500kbps, 1Mbps, 2Mbps.

For the TLSR8251, RF transceiver can operate with frequency ranging from 2400MHz to 2483.5MHz ISM band, which can cover the frequency band for Bluetooth Low Energy (BLE)/IEEE 802.15.4-2.4G and 2.4GHz proprietary protocol.

The frequency for a specific channel for BLE is  $2402+n*2\text{MHz}$ , where integer n is the channel number 0~39.

The frequency channel for IEEE 802.15.4-2.4G is  $2400+(n-11)*5\text{MHz}$ , where integer n is channel number 11~26. And for 2.4GHz proprietary protocols, any frequencies within the 2400 ~ 2483.5MHz ISM band can be used as the channel center, the normally used frequencies can vary depending on applications, but generally fall on the integer channels such as  $2401 + n*1\text{MHz}$ .

### 3.3 Baseband

The baseband is disabled by default. The corresponding API is available for user to power on/down the baseband and enable/disable clock, so that the baseband can be turned on/off flexibly.

The baseband contains dedicated hardware logic to perform fast AGC control, access code correlation, CRC checking, data whitening, encryption/decryption and frequency hopping logic.

The baseband supports all mandatory features required by Bluetooth and 802.15.4 specification.

#### 3.3.1 Packet format

Packet format in standard 1Mbps BLE mode is shown as Table 3- 2:

Table 3- 2 Packet Format in standard 1Mbps BLE mode

LSB		MSB	
Preamble (1 octet)	Access Address (4 octets)	PDU (2 ~ 257 octets)	CRC (3 octets)

Packet length 80bit ~ 2120bit (80~2120us @ 1Mbps).

Packet format in standard 2Mbps BLE mode is shown as Table 3- 3:

Table 3- 3 Packet format in standard 2Mbps BLE mode

LSB		MSB	
Preamble (2 octets)	Access Address (4 octets)	PDU (2 ~ 257 octets)	CRC (3 octets)

Packet format in standard 500kbps/125kbps BLE mode is shown as Table 3- 4.

Table 3- 4 Packet Format In Standard 500kbps/125kbps BLE Mode

LSB					MSB	
Preamble (10 octets)	Access Address (4 octets)	CI (2 bits)	TERM1 (3 bits)	PDU (2 ~ 257 octets)	CRC (3 octets)	TERM2 (3 bits)

Packet format in 250kbps 802.15.4 mode is shown as Table 3- 5.

Table 3- 5 Packet format in 802.15.4 Mode

LSB			MSB	
Preamble (4~16 octets)	SFD (1 octet)	Frame length (1 octet)	PSDU (Variable 0~127 octets)	CRC (2 octets)
SHR		PHR	PHY payload	

Packet format in 2.4GHz Proprietary mode is shown as Table 3- 6:

Table 3- 6 Packet format in Proprietary mode

LSB			MSB
Preamble (8 bits)	Address code (configurable 3~5 bytes)	Packet Controller + Payload (1~63 bytes)	CRC (1~2 bytes)

### 3.3.2 RSSI and frequency offset

The TLSR8251 provides accurate RSSI (Receiver Signal Strength Indicator) and frequency offset indication.

- ✧ RSSI can be read from the 1byte at the tail of each received data packet.
- ✧ If no data packet is received (e.g. to perform channel energy measurement when no desired signal is present), real-time RSSI can also be read from specific registers which will be updated automatically.
- ✧ RSSI monitoring resolution can reach +/-1dB.
- ✧ Frequency offset can be read from the 2bytes at the tail of the data packet. Valid bits of actual frequency offset may be less than 16bits, and different valid bits correspond to different tolerance range.

Telink supplies corresponding drivers for user to read RSSI and frequency offset as needed.

## 4 Clock

### 4.1 Clock sources

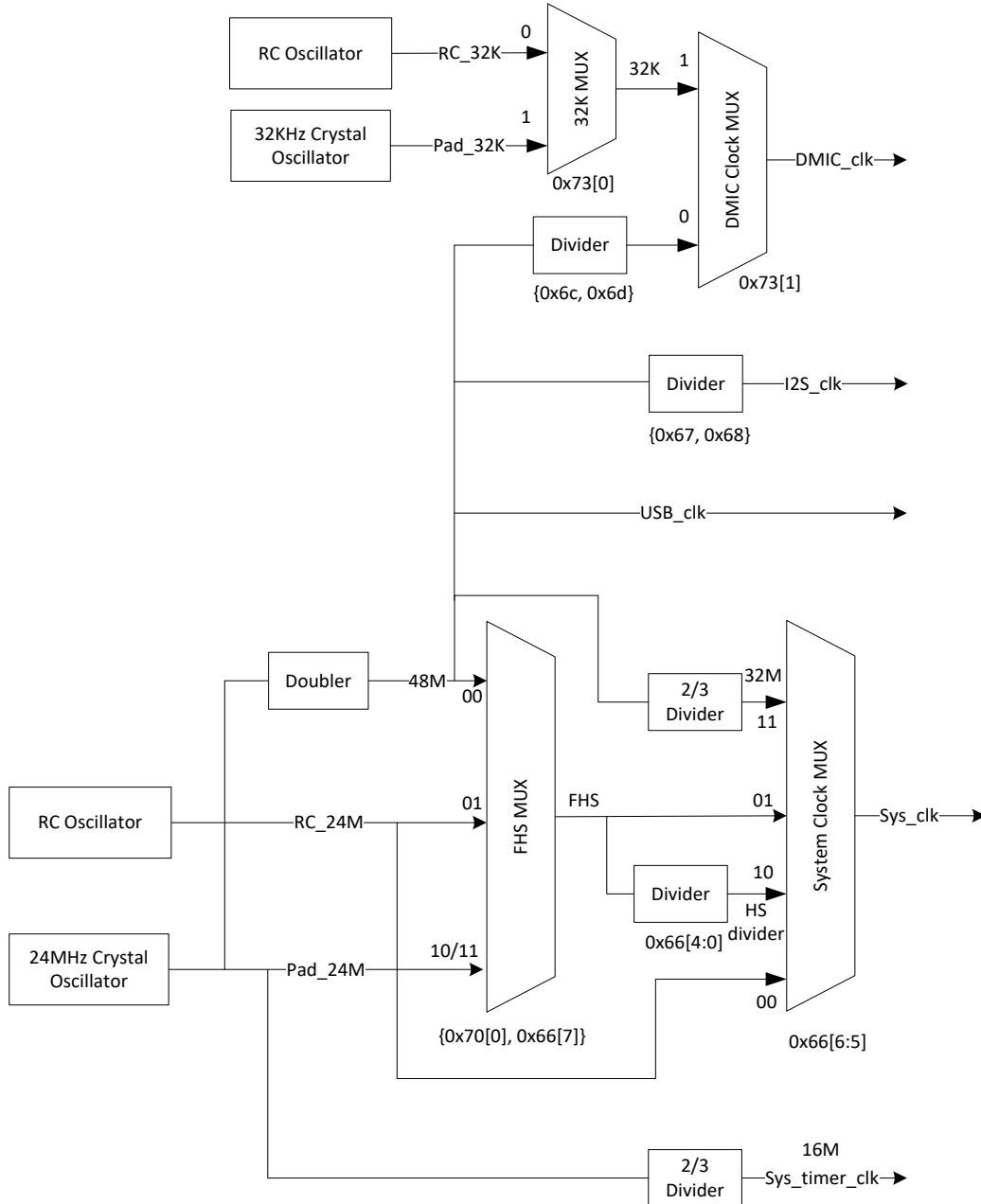


Figure 4- 1 Block diagram of clock

The TLSR8251 embeds a 24MHz RC oscillator which can be used as clock source for system, as well as a 32kHz RC oscillator to provide clock source for DMIC and sleep state.

External 24MHz crystal is available via pin XC1 and XC2, which can provide a Pad\_24MHz clock source for system and System Timer, and generate a 48M clock via a frequency doubler to provide clock source for DMIC, I2S and USB. External 32K crystal is available via pin PC<2:3>, which can provide a 32kHz clock source for DMIC.

## 4.2 System clock

There are four selectable clock sources for MCU system clock: **RC\_24M** derived from 24MHz RC oscillator, High speed clock “**FHS**”, **HS divider clock** (derived from “FHS” via a frequency divider), and **32MHz clock** derived from 48MHz clock via a 2/3 frequency divider (The 48M clock is derived from 24M crystal oscillator via a frequency doubler).

The high speed clock (FHS) is selectable via address {0x70[0], 0x66[7]} from the following sources: **48MHz** clock (derived from 24M crystal oscillator via a frequency doubler), **RC\_24M** (derived from 24MHz RC oscillator), and **Pad\_24M** (derived from 24M crystal oscillator).

The digital register CLKSEL (address 0x66) serves to set system clock: System clock source is selectable via bit[6:5].

- ✧ If address 0x66[6:5] is set to 2b'10 to select the HS divider clock, system clock frequency is adjustable via address 0x66[4:0]. The formula is shown as below:

$$F_{\text{System clock}} = F_{\text{FHS}} / (\text{system clock divider value in address } 0x66[4:0]).$$

Note that address 0x66[4:0] should not be set as 0 or 1.

## 4.3 Module clock

Registers CLKEN0~CLKEN2 (address 0x63~0x65) are used to enable or disable clock for various modules. By disable the clocks of unused modules, current consumption could be reduced.

### 4.3.1 System Timer clock

System Timer clock is derived from 24M crystal oscillator via a 2/3 frequency divider. The clock frequency is fixed as 16MHz.

### 4.3.2 USB clock

USB clock is derived from 48M clock. The 48M clock is derived from 24M crystal oscillator via a frequency doubler.

### 4.3.3 I2S clock

I2S clock is derived from 48M clock via a frequency divider. The 48M clock is derived from 24M crystal oscillator via a frequency doubler.

Address 0x67[7] should be set as 1b'1 to enable I2S clock. I2S clock frequency dividing factor contains step and mod. Address 0x67[6:0] and 0x68 serve to set I2S clock step[6:0] and mod[7:0] respectively, and mod should be no less than 2\*step.

I2S clock frequency,  $F_{\text{I2S clock}}$ , equals to  $48\text{M} * \text{I2S\_step}[6:0] / \text{I2S\_mod}[7:0]$ .

### 4.3.4 DMIC clock

Address 0x6c[7] serves to enable DMIC clock.

DMIC clock pin can select 32kHz clock, or derive from 48M clock via a frequency divider. Address 0x73 serves to select DMIC clock source.

- ✧ In normal DMIC working mode, 0x73[1] needs to be set as 1b'0, DMIC clock divider is selected and frequency dividing factor should be further configured. DMIC clock frequency dividing factor contains step and mod. Address 0x6c[6:0] and 0x6d serve to set DMIC clock step[6:0] and mod[7:0], respectively, and mod should be no less than 2\*step.  
  
In this situation, DMIC clock frequency,  $F_{DMIC\ clock}$ , equals to  $48M * DMIC\_step[6:0] / DMIC\_mod[7:0]$ .
- ✧ When DMIC is not used, and a 32kHz clock is needed, address 0x73 bit[1] should be set as 1b'1 to select the 32kHz clock, while bit[0] can be configured to select either RC\_32K from 32K RC oscillator or Pad\_32K from 32K crystal oscillator.

#### 4.4 Register table

Table 4- 1 Register table related to clock

Address	R/W	Description	Default Value
0x63	R/W	Clock enable control: 1 for enable; 0 for disable [0]: SPI [1]: I2C [2]: UART (rs232) [3]: USB [4]: PWM [5]: QDEC [6]: RSVD [7]: Swire	0x83
0x64	R/W	[0]ZB [1]System Timer [2]DMA [3]ALGM [4]AES [5:7]RSVD	0x00
0x65	R/W	[0]AIF [1]Audio [2]DFIFO [3]RSVD [4]MC [5]MCIC [6:7]RSVD	0x30
0x66	R/W	System clock select [4:0]: system clock divider (must exceed 1). If 0x66[6:5] is set as 2b'10, $F_{Sysclk} = F_{FHS} / (CLKSEL[4:0])$ . FHS: refer to 0x70 CLKSEH. [6:5]: select system clock source 2'b00: RC_24M from RC oscillator 2'b01: FHS 2'b10: HS divider (see 0x66[4:0]) 2'b11: 32M clock ( $48M * 2/3$ divider) [7] FHS select (see 0x70[0])	0x06

Address	R/W	Description	Default Value
0x67	R/W	[7] I2S clock enable [6:0] I2S step	0x00
0x68	R/W	I2S mod I2S clock = $48M * I2S\_step[6:0] / I2S\_mod[7:0]$ , Mod should be larger than or equal to $2 * step$ .	0x02
0x6c	R/W	[7]: Digital MIC clock enable [6:0] DMIC step	0x01
0x6d	R/W	[7:0] DMIC mod DMIC clock = $48M * DMIC\_step[6:0] / DMIC\_mod$ Mod should be larger than or equal to $2 * step$ .	0x02
0x70	R/W	{0x70[0], 0x66[7]} FHS select 2'b00: 48M clock doubled from 24M crystal 2'b01: RC_24M from RC oscillator 2'b1x: Pad_24M from 24M crystal oscillator	0x00
0x73	R/W	[0]: clk32k select 0: select RC_32k from RC oscillator 1: select Pad_32k from 32K crystal oscillator [1]: DMIC clock select 1: select 32k (see 0x73[0] to select 32K source) 0: select DMIC clk div (see 0x6c~0x6d)	0x04

## 5 Timers

### 5.1 Timer0~Timer2

The TLSR8251 supports three timers: Timer0~ Timer2. The three timers all support four modes: Mode 0 (System Clock Mode), Mode 1 (GPIO Trigger Mode), Mode 2 (GPIO Pulse Width Mode) and Mode 3 (Tick Mode), which are selectable via the register TMR\_CTRL0 (address 0x620) ~ TMR\_CTRL1 (address 0x621).

Timer 2 can also be configured as “watchdog” to monitor firmware running.

#### 5.1.1 Register table

Table 5- 1 Register configuration for Timer0~Timer2

Address	R/W	Description	Default Value
0x72	R/W	[0] watch dog status: verify whether it is power reset (1'b0) or watch dog reset (1'b1), write 1 to clear.	0x00
0x620	RW	[0]Timer0 enable [2:1] Timer0 mode. 0: using sclk, 1: using gpio, 2: count width of gpi, 3: tick [3]Timer1 enable [5:4] Timer1 mode. [6]Timer2 enable [7]Bit of timer2 mode	0x00
0x621	RW	[0]Bit of timer2 mode [7:1]Low bits of watch dog capture	0x00
0x622	RW	[6:0]High bits of watch dog capture. It is compared with [31:18] of timer2 ticker [7]watch dog capture	0x00
0x623	RW	[0] timer0 status, write 1 to clear [1] timer1 status, write 1 to clear [2] timer2 status, write 1 to clear [3] watch dog status, write 1 to clear (If Watchdog is enabled, need to clear it periodically to avoid triggering watchdog reset)	0x00
0x624	RW	Byte 0 of timer0 capture	0x00
0x625	RW	Byte 1 of timer0 capture	0x00
0x626	RW	Byte 2 of timer0 capture	0x00
0x627	RW	Byte 3 of timer0 capture	0x00
0x628	RW	Byte 0 of timer1 capture	0x00
0x629	RW	Byte 1 of timer1 capture	0x00
0x62a	RW	Byte 2 of timer1 capture	0x00
0x62b	RW	Byte 3 of timer1 capture	0x00
0x62c	RW	Byte 0 of timer2 capture	0x00
0x62d	RW	Byte 1 of timer2 capture	0x00
0x62e	RW	Byte 2 of timer2 capture	0x 00
0x62f	RW	Byte 3 of timer2 capture	0x00
0x630	RW	Byte 0 of timer0 ticker	0x00

Address	R/W	Description	Default Value
0x631	RW	Byte 1 of timer0 ticker	0x00
0x632	RW	Byte 2 of timer0 ticker	0x00
0x633	RW	Byte 3 of timer0 ticker	0x00
0x634	RW	Byte 0 of timer1 ticker	0x00
0x635	RW	Byte 1 of timer1 ticker	0x00
0x636	RW	Byte 2 of timer1 ticker	0x00
0x637	RW	Byte 3 of timer1 ticker	0x00
0x638	RW	Byte 0 of timer2 ticker	0x00
0x639	RW	Byte 1 of timer2 ticker	0x00
0x63a	RW	Byte 2 of timer2 ticker	0x00
0x63b	RW	Byte 3 of timer2 ticker	0x00

### 5.1.2 Mode0 (System Clock Mode)

In Mode 0, system clock is employed as clock source.

After Timer is enabled, Timer Tick (i.e. counting value) is increased by 1 on each positive edge of system clock from preset initial Tick value. Generally the initial Tick value is set to 0.

Once current Timer Tick value matches the preset Timer Capture (i.e. timing value), an interrupt is generated, Timer stops counting and Timer status is updated.

Steps of setting Timer0 for Mode 0 is taken as an example.

#### 1<sup>st</sup>: Set initial Tick value of Timer0

Set Initial value of Tick via registers TMR\_TICK0\_0~TMR\_TICK0\_3 (address 0x630~0x633). Address 0x630 is lowest byte and 0x633 is highest byte. It's recommended to clear initial Timer Tick value to 0.

#### 2<sup>nd</sup>: Set Capture value of Timer0

Set registers TMR\_CAPT0\_0~TMR\_CAPT0\_3 (address 0x624~0x627). Address 0x624 is lowest byte and 0x627 is highest byte.

#### 3<sup>rd</sup>: Set Timer0 to Mode 0 and enable Timer0

Set register TMR\_CTRL0 (address 0x620) [2:1] to 2b'00 to select Mode 0; Meanwhile set address 0x620[0] to 1b'1 to enable Timer0. Timer0 starts counting upward, and Tick value is increased by 1 on each positive edge of system clock until it reaches Timer0 Capture value.

### 5.1.3 Mode1 (GPIO Trigger Mode)

In Mode 1, GPIO is employed as clock source. The "m0"/"m1"/"m2" register specifies the GPIO which generates counting signal for Timer0/Timer1/Timer2.

After Timer is enabled, Timer Tick (i.e. counting value) is increased by 1 on each positive/negative (configurable) edge of GPIO from preset initial Tick value. Generally the initial Tick value is set to 0. The "Polarity" register specifies the GPIO edge when Timer Tick counting increases.

**Note:** Refer to Section 7.1.2 for corresponding "m0", "m1", "m2" and "Polarity" register address.

Once current Timer Tick value matches the preset Timer Capture (i.e. timing value), an interrupt is generated and timer stops counting.

Steps of setting Timer1 for Mode 1 is taken as an example.

**1<sup>st</sup>: Set initial Tick value of Timer1**

Set Initial value of Tick via registers TMR\_TICK1\_0~TMR\_TICK1\_3 (address 0x634~0x637). Address 0x634 is lowest byte and 0x637 is highest byte. It's recommended to clear initial Timer Tick value to 0.

**2<sup>nd</sup>: Set Capture value of Timer1**

Set registers TMR\_CAPT1\_0~TMR\_CAPT1\_3 (address 0x628~0x62b). Address 0x628 is lowest byte and 0x62b is highest byte.

**3<sup>rd</sup>: Select GPIO source and edge for Timer1**

Select certain GPIO to be the clock source via setting "m1" register.

Select positive edge or negative edge of GPIO input to trigger Timer1 Tick increment via setting "Polarity" register.

**4<sup>th</sup>: Set Timer1 to Mode 1 and enable Timer1**

Set address 0x620[5:4] to 2b'01 to select Mode 1; Meanwhile set address 0x620[3] to 1b'1 to enable Timer1. Timer1 starts counting upward, and Timer1 Tick value is increased by 1 on each positive/negative (specified during the 3<sup>rd</sup> step) edge of GPIO until it reaches Timer1 Capture value.

#### 5.1.4 Mode2 (GPIO Pulse Width Mode)

In Mode 2, system clock is employed as the unit to measure the width of GPIO pulse. The "m0"/"m1"/"m2" register specifies the GPIO which generates control signal for Timer0/Timer1/Timer2.

After Timer is enabled, Timer Tick is triggered by a positive/negative (configurable) edge of GPIO pulse. Then Timer Tick (i.e. counting value) is increased by 1 on each positive edge of system clock from preset initial Tick value. Generally the initial Tick value is set to 0. The "Polarity" register specifies the GPIO edge when Timer Tick starts counting.

**Note:** Refer to **Section 7.1.2** for corresponding "m0", "m1", "m2" and "Polarity" register address.

While a negative/positive edge of GPIO pulse is detected, an interrupt is generated and timer stops counting. The GPIO pulse width could be calculated in terms of tick count and period of system clock.

Steps of setting Timer2 for Mode 2 is taken as an example.

**1<sup>st</sup>: Set initial Timer2 Tick value**

Set Initial value of Tick via registers TMR\_TICK2\_0~TMR\_TICK2\_3 (address 0x638~0x63b). Address 0x638 is lowest byte and 0x63b is highest byte. It's recommended to clear initial Timer Tick value to 0.

**2<sup>nd</sup>: Select GPIO source and edge for Timer2**

Select certain GPIO to be the clock source via setting "m2" register.

Select positive edge or negative edge of GPIO input to trigger Timer2 counting start via setting "Polarity" register.

**3<sup>rd</sup>: Set Timer2 to Mode 2 and enable Timer2**

Set address 0x620[7:6] to 2b'01 and address 0x621 [0] to 1b'1.

Timer2 Tick is triggered by a positive/negative (specified during the 2<sup>nd</sup> step) edge of GPIO pulse. Timer2 starts counting upward and Timer2 Tick value is increased by 1 on each positive edge of system clock.

While a negative/positive edge of GPIO pulse is detected, an interrupt is generated and Timer2 tick stops.

**4<sup>th</sup>: Read current Timer2 Tick value to calculate GPIO pulse width**

Read current Timer2 Tick value from address 0x638~0x63b.

Then GPIO pulse width is calculated as follows:

GPIO pulse width = System clock period \* (current Timer2 Tick – initial Timer2 Tick)

For initial Timer2 Tick value is set to the recommended value of 0, then:

GPIO pulse width = System clock period \* current Timer2 Tick.

### 5.1.5 Mode3 (Tick Mode)

In Mode 3, system clock is employed.

After Timer is enabled, Timer Tick starts counting upward, and Timer Tick value is increased by 1 on each positive edge of system clock.

This mode could be used as time indicator. There will be no interrupt generated. Timer Tick keeps rolling from 0 to 0xffffffff. When Timer tick overflows, it returns to 0 and starts counting upward again.

Steps of setting Timer0 for Mode 3 is taken as an example.

**1<sup>st</sup>: Set initial Tick value of Timer0**

Set Initial value of Tick via address 0x630~0x633. Address 0x630 is lowest byte and address 0x633 is highest byte. It's recommended to clear initial Timer Tick value to 0.

**2<sup>nd</sup>: Set Timer0 to Mode 3 and enable Timer0**

Set address 0x620[2:1] to 2b'11 to select Mode 3, meanwhile set address 0x620[0] to 1b'1 to enable Timer0. Timer0 Tick starts to roll.

**3<sup>rd</sup>: Read current Timer0 Tick value**

Current Timer0 Tick value can be read from address 0x630~0x633.

### 5.1.6 Watchdog

Programmable watchdog could reset chip from unexpected hang up or malfunction.

Only Timer2 supports Watchdog.

Timer2 Tick has 32bits. Watchdog Capture has only 14bits, which consists of TMR\_CTRL2 (address 0x622) [6:0] as higher bits and TMR\_CTRL1 (address 0x621) [7:1] as lower bits. Chip will be reset when the Timer2 Tick[31:18] matches Watch dog capture.

**1<sup>st</sup>: Clear Timer2 Tick value**

Clear registers TMR\_TICK2\_0 ~TMR\_TICK2\_3 (address 0x638~0x63b). Address 0x638 is lowest byte and 0x63b is highest byte.

### 2<sup>nd</sup>: Enable Timer2

Set register TMR\_CTRL0 (address 0x620) [6] to 1b'1 to enable Timer2.

### 3<sup>rd</sup>: Set 14-bit Watchdog Capture value and enable Watchdog

Set address 0x622[6:0] as higher bits of watchdog capture and 0x621[7:1] as lower bits. Meanwhile set address 0x622[7] to 1b'1 to enable Watchdog.

Then Timer2 Tick starts counting upwards from 0.

If bits[31:18] of Timer2 Tick value read from address 0x638~0x63b reaches watchdog capture, the chip will be reset, and the status bit in address 0x72[0] will be set as 1b'1 automatically. User can read the watchdog status bit after chip reset to check if the reset source is watchdog, and needs to write 1b'1 to this bit to manually clear the flag.

## 5.2 32K LTIMER

The TLSR8251 also supports a low frequency (32kHz) LTIMER in suspend mode or deep sleep mode. This timer can be used as one kind of wakeup source.

## 5.3 System Timer

The TLSR8251 also supports a System Timer. As introduced in section 4.3.1 **System Timer clock**, the clock frequency for System Timer is fixed as 16MHz irrespective of system clock.

In suspend mode, both System Timer and Timer0~Timer2 stop counting, and 32K Timer starts counting. When the chip restores to active mode, Timer0~Timer2 will continue counting from the number when they stops; In contrast, System Timer will continue counting from an adjusted number which is a sum of the number when it stops and an offset calculated from the counting value of 32K Timer during suspend mode.

Table 5- 2 Register table for System Timer

Address	R/W	Function	Default Value
0x740	R/W	[7:3]	0x00
0x741	R/W	[7:0]	0x00
0x742	R/W	[7:0]	0x00
0x743	R/W	[7:0] System timer counter, write to set initial value. This is the sys timer counter	0x00
0x74c	R/W	[7]:cal 32k enable (16 cycles 32k, count sys clock cycles) [6]:1:at the pos of 32k clock to set 32k timer value [5]:suspend bypass system_timer module [4]:system timer ss enable [3] manual set 32k timer mode [2]:manual set 32k timer 1:write, 0: read [1]:irq mask 1: enable, 0: disable [0] rsvd	0x90
0x74f		[1]: timer_en, System Timer busy	0x00

Address	R/W	Function	Default Value
		[2]: rsvd (clk32k_tm) [3]: m_wr_32k_en, busy reading/writing 32k Timer manually [7:4]: rsvd (ss)	

**\*Note:** The lower three bits of address 0x740 is invalid, therefore, the resolution should be 0.5 $\mu$ s.

## 6 Interrupt System

### 6.1 Interrupt structure

The interrupting function is applied to manage dynamic program sequencing based on real-time events triggered by timers, pins and etc.

For the TLSR8251, there are 24 interrupt sources in all: 16 types are level-triggered interrupt sources (listed in address 0x640~0x641) and 8 types are edge-triggered interrupt sources (listed in address 0x642).

When CPU receives an interrupt request (IRQ) from some interrupt source, it will determine whether to respond to the IRQ. If CPU decides to respond, it pauses current routine and starts to execute interrupt service subroutine. Program will jump to certain code address and execute IRQ commands. After finishing interrupt service subroutine, CPU returns to the breakpoint and continues to execute main function.

### 6.2 Register configuration

Table 6- 1 Register table for Interrupt system

Address	R/W	Description	Default Value
0x640	RW	Byte 0 interrupt mask, level-triggered type {irq_mix, irq_uart, irq_dfifo, irq_dma, usb_pwdn, time2, time1, time0} [7] irq_mix, i.e. irq_host_cmd [6] irq_uart [5] irq_dfifo [4] irq_dma [3] usb_pwdn [2] time2 [1] time1 [0] time0	0x00
0x641	RW	Byte 1 interrupt mask, level-triggered type {rsvd, irq_pwm, irq_zb_rt, irq_udc[4:0]} [7] rsvd [6] irq_pwm [5] irq_zb_rt [4] irq_udc[4] [3] irq_udc[3] [2] irq_udc[2] [1] irq_udc[1] [0] irq_udc[0]	0x00
0x642	RW	Byte 2 interrupt mask, edge-triggered type {rsvd, gpio2risc[1:0], irq_stimer, pm_irq, irq_gpio, usb_reset, usb_250us} [7] rsvd [6] gpio2risc[1] [5] gpio2risc[0] [4] irq_stimer [3] pm_irq_tm	0x00

Address	R/W	Description	Default Value
		[2] irq_gpio [1] usb_reset [0] usb_250us	
0x643	RW	[0] interrupt enable [1] reserved (Multi-Address enable)	0x00
0x644	RW	Byte 0 of priority 1: High priority; 0: Low priority	0x00
0x645	RW	Byte 1 of priority	0x00
0x646	RW	Byte 2 of priority	0x00
0x648	R	Byte 0 of interrupt source	0x00
0x649	R	Byte 1 of interrupt source	0x00
0x64a	R	Byte 2 of interrupt source	0x00

### 6.2.1 Enable/Mask interrupt sources

Various interrupt sources could be enabled or masked by registers MASK\_0~MASK\_2 (address 0x640~0x642).

Interrupt sources of level-triggered type:

- ✧ irq\_mix (0x640[7]): I2C Slave mapping mode or SPI Slave interrupt (irq\_host\_cmd)
- ✧ irq\_uart (0x640[6]): UART interrupt
- ✧ irq\_dfifo (0x640[5]): DFIFO interrupt
- ✧ irq\_dma (0x640[4]): DMA interrupt
- ✧ usb\_pwdn (0x640[3]): USB Host has sent power down signal
- ✧ time2, time1, timer0 (0x640[2]~0x640[0]): Timer2~Timer0 interrupt
- ✧ irq\_pwm (0x641[6]): PWM interrupt
- ✧ irq\_zb\_rt (0x641[5]): Baseband interrupt
- ✧ irq\_udc[4:0] (0x641[4:0]): USB device interrupt

Interrupt sources of edge-triggered type:

- ✧ gpio2risc[1:0] (0x642[6]~0x642[5]): gpio2risc[1]~gpio2risc[0] interrupt, please refer to section 7.1.2.
- ✧ irq\_stimer (0x642[4]): System timer interrupt
- ✧ pm\_irq\_tm (0x642[3]): 32kHz timer wakeup interrupt
- ✧ irq\_gpio (0x642[2]): GPIO interrupt, please refer to section 7.1.2.
- ✧ usb\_reset (0x642[1]): USB Host has sent reset command.
- ✧ usb\_250us (0x642[0]): USB has been in idle for 250μs.

### 6.2.2 Interrupt mode and priority

Interrupt mode is typically-used mode. Register IRQMODE (address 0x643)[0] should be set as 1b'1 to enable interrupt function.

IRQ tasks could be set as High or Low priority via registers PRIO\_0~PRIO\_2 (address 0x644~0x646). When more than one interrupt sources assert interrupt requests at the same time, CPU will respond depending on respective interrupt priority levels. It's recommended not to modify priority setting.

### 6.2.3 Interrupt source flag

Three bytes in registers IRQSRC\_0~IRQSRC\_2 (address 0x648~0x64a) serve to indicate IRQ sources. Once IRQ occurs from certain source, the corresponding IRQ source flag will be set as "1". User could identify IRQ source by reading address 0x648~0x64a.

When handling edge-triggered type interrupt, the corresponding IRQ source flag needs to be cleared via address 0x64a. Take the interrupt source usb\_250us for example: First enable the interrupt source by setting address 0x642 bit[0] as 1b'1; then set address 0x643 bit[0] as 1b'1 to enable the interrupt. In interrupt handling function, 24-bit data is read from address 0x648~0x64a to check which IRQ source is valid; if data bit[16] is 1, it means the usb\_250us IRQ source is valid. Clear this interrupt source by setting address 0x64a bit[0] as 1b'1.

As for level-type interrupt, IRQ interrupt source status needs to be cleared by setting corresponding module status register. Take Timer0 IRQ interrupt source for example: First enable the interrupt source by setting address 0x640 bit[0] as 1b'1; then set address 0x643 bit[0] as 1b'1 to enable the interrupt. In interrupt handling function, 24-bit data is read from address 0x648~0x64a to check which IRQ source is valid; if data bit[0] is 1, it means the Timer0 IRQ source is valid. Register TMR\_STATUS (address 0x623) [0] should be written with 1b'1 to manually clear Timer0 status (refer to section 5.1.1 Register table).

## 7 Interface

### 7.1 GPIO

The TLSR8251F512ET48, TLSR8251F512ET32 and TLSR8251F512ET24 support up to 32, 17 and 10 GPIOs respectively. All digital IOs can be used as general purpose IOs.

All GPIOs (including PA<0>~PD<7>) have configurable pull-up/pull-down resistor. Please refer to section 7.1.3 Pull-up/Pull-down resistor for details.

#### 7.1.1 Basic configuration

##### 7.1.1.1 GPIO lookup table

Table 7- 1GPIO lookup table 1

Pin	Default function	Pad Function Mux				GPIO Setting						
		Register=2	Register=1	Register=0	Register	Input (R)	IE	OEN	Output	Polarity	DS	Act as GPIO
DMIC_DI/ PWM0_N/ UART_RX/ PA<0>	GPIO	UART_RX	PWM0_N	DMIC_DI	0x5a8[1:0]	0x580[0]	0x581[0]	0x582[0]	0x583[0]	0x584[0]	0x585[0]	0x586[0]
DMIC_CLK/ 7816_CLK/ I2S_CLK/ PA<1>	GPIO	I2S_CLK	7816_CLK	DMIC_CLK	0x5a8[3:2]	0x580[1]	0x581[1]	0x582[1]	0x583[1]	0x584[1]	0x585[1]	0x586[1]
DO/ UART_TX/ PWM0/ PA<2>	GPIO	PWM0	UART_TX	DO	0x5a8[5:4]	0x580[2]	0x581[2]	0x582[2]	0x583[2]	0x584[2]	0x585[2]	0x586[2]
DI/ UART_CTS/ PWM1/ PA<3>	GPIO	PWM1	UART_CTS	DI	0x5a8[7:6]	0x580[3]	0x581[3]	0x582[3]	0x583[3]	0x584[3]	0x585[3]	0x586[3]
CK/ UART_RTS/ PWM2/ PA<4>	GPIO	PWM2	UART_RTS	CK	0x5a9[1:0]	0x580[4]	0x581[4]	0x582[4]	0x583[4]	0x584[4]	0x585[4]	0x586[4]
DM/ PA<5>	GPIO	/	/	DM	0x5a9[3:2]	0x580[5]	0x581[5]	0x582[5]	0x583[5]	0x584[5]	0x585[5]	0x586[5]
DP(SWS)/ PA<6>	GPIO	/	/	DP(SWS)	0x5a9[5:4]	0x580[6]	0x581[6]	0x582[6]	0x583[6]	0x584[6]	0x585[6]	0x586[6]
SWS/ UART_RTS/ PA<7>	SWS	/	UART_RTS	SWS	0x5a9[7:6]	0x580[7]	0x581[7]	0x582[7]	0x583[7]	0x584[7]	0x585[7]	0x586[7]
PWM3/ UART_RX/ ATSEL1/ sar_aio<0>/ PB<0>	GPIO	ATSEL1	UART_RX	PWM3	0x5aa[1:0]	0x588[0]	afe_0xbd [0]	0x58a[0]	0x58b[0]	0x58c[0]	afe_0xbf [0]	0x58e[0]

Pin	Default function	Pad Function Mux				GPIO Setting						
		Register=2	Register=1	Register=0	Register	Input (R)	IE	OEN	Output	Polarity	DS	Act as GPIO
PWM4/ UART_TX/ ATSEL2/ lc_comp_ain<1>/ sar_aio<1>/ PB<1>	GPIO	ATSEL2	UART_TX	PWM4	0x5aa[3:2]	0x588[1]	afe_0xbd [1]	0x58a[1]	0x58b[1]	0x58c[1]	afe_0xbf [1]	0x58e[1]
PWM5/ UART_CTS/ RX_CYC2LNA/ lc_comp_ain<2>/ sar_aio<2>/ PB<2>	GPIO	RX_CYC2LNA	UART_CTS	PWM5	0x5aa[5:4]	0x588[2]	afe_0xbd [2]	0x58a[2]	0x58b[2]	0x58c[2]	afe_0xbf [2]	0x58e[2]
PWM0_N/ UART_RTS/ TX_CYC2PA/ lc_comp_ain<3>/ sar_aio<3>/ PB<3>	GPIO	TX_CYC2PA	UART_RTS	PWM0_N	0x5aa[7:6]	0x588[3]	afe_0xbd [3]	0x58a[3]	0x58b[3]	0x58c[3]	afe_0xbf [3]	0x58e[3]
SDM_P0/ PWM4/ lc_comp_ain<4>/ sar_aio<4>/ PB<4>	GPIO	/	PWM4	SDM_P0	0x5ab[1:0]	0x588[4]	afe_0xbd [4]	0x58a[4]	0x58b[4]	0x58c[4]	afe_0xbf [4]	0x58e[4]
SDM_N0/ PWM5/ lc_comp_ain<5>/ sar_aio<5>/ PB<5>	GPIO	/	PWM5	SDM_N0	0x5ab[3:2]	0x588[5]	afe_0xbd [5]	0x58a[5]	0x58b[5]	0x58c[5]	afe_0xbf [5]	0x58e[5]
SDM_P1/ SPI_DI/ UART_RTS/ lc_comp_ain<6>/ sar_aio<6>/ PB<6>	SPI_DI	UART_RTS	SPI_DI	SDM_P1	0x5ab[5:4]	0x588[6]	afe_0xbd [6]	0x58a[6]	0x58b[6]	0x58c[6]	afe_0xbf [6]	0x58e[6]
SDM_N1/ SPI_DO/ UART_RX/ lc_comp_ain<7>/ sar_aio<7>/ PB<7>	SPI_DO	UART_RX	SPI_DO	SDM_N1	0x5ab[7:6]	0x588[7]	afe_0xbd [7]	0x58a[7]	0x58b[7]	0x58c[7]	afe_0xbf [7]	0x58e[7]
I2C_SDA/ PWM4_N/ UART_RTS/ PGA_P0/ PC<0>	GPIO	UART_RTS	PWM4_N	I2C_SDA	0x5ac[1:0]	0x590[0]	afe_0xc0 [0]	0x592[0]	0x593[0]	0x594[0]	afe_0xc2 [0]	0x596[0]

Pin	Default function	Pad Function Mux				GPIO Setting						
		Register=2	Register=1	Register=0	Register	Input (R)	IE	OEN	Output	Polarity	DS	Act as GPIO
I2C_SCK/ PWM1_N/ PWM0/ PGA_NO/ PC<1>	GPIO	PWM0	PWM1_N	I2C_SCK	0x5ac[3:2]	0x590[1]	afe_0xc0 [1]	0x592[1]	0x593[1]	0x594[1]	afe_0xc2 [1]	0x596[1]
PWM0/ 7816_TRX UART_TX/ I2C_SDA/ XC32K_O/ PGA_P1/ PC<2>	GPIO	I2C_SDA	7816_TRX (UART_TX)	PWM0	0x5ac[5:4]	0x590[2]	afe_0xc0 [2]	0x592[2]	0x593[2]	0x594[2]	afe_0xc2 [2]	0x596[2]
PWM1/ UART_RX/ I2C_SCK/ XC32K_I/ PGA_N1/ PC<3>	GPIO	I2C_SCK	UART_RX	PWM1	0x5ac[7:6]	0x590[3]	afe_0xc0 [3]	0x592[3]	0x593[3]	0x594[3]	afe_0xc2 [3]	0x596[3]
PWM2/ UART_CTS/ PWM0_N/ sar_aio<8>/ PC<4>	GPIO	PWM0_N	UART_CTS	PWM2	0x5ad[1:0]	0x590[4]	afe_0xc0 [4]	0x592[4]	0x593[4]	0x594[4]	afe_0xc2 [4]	0x596[4]
PWM3_N/ UART_RX/ ATSEL0/ sar_aio<9>/ PC<5>	GPIO	ATSEL0	UART_RX	PWM3_N	0x5ad[3:2]	0x590[5]	afe_0xc0 [5]	0x592[5]	0x593[5]	0x594[5]	afe_0xc2 [5]	0x596[5]
RX_CYC2LNA/ ATSEL1/ PWM4_N/ PC<6>	GPIO	PWM4_N	ATSEL1	RX_CYC2LNA	0x5ad[5:4]	0x590[6]	afe_0xc0 [6]	0x592[6]	0x593[6]	0x594[6]	afe_0xc2 [6]	0x596[6]
TX_CYC2PA/ ATSEL2/ PWM5_N/ PC<7>	GPIO	PWM5_N	ATSEL2	TX_CYC2PA	0x5ad[7:6]	0x590[7]	afe_0xc0 [7]	0x592[7]	0x593[7]	0x594[7]	afe_0xc2 [7]	0x596[7]
RX_CYC2LNA/ 7816_TRX (UART_TX)/ PD<0>	GPIO	7816_TRX (UART_TX)	/	RX_CYC2LNA	0x5ae[1:0]	0x598[0]	0x599[0]	0x59a[0]	0x59b[0]	0x59c[0]	0x59d[0]	0x59e[0]
TX_CYC2PA/ UART_CTS/ PD<1>	GPIO	UART_CTS	/	TX_CYC2PA	0x5ae[3:2]	0x598[1]	0x599[1]	0x59a[1]	0x59b[1]	0x59c[1]	0x59d[1]	0x59e[1]

Pin	Default function	Pad Function Mux				GPIO Setting						
		Register=2	Register=1	Register=0	Register	Input (R)	IE	OEN	Output	Polarity	DS	Act as GPIO
SPI_CN/ I2S_LR/ PWM3/ PD<2>	SPI_CN	PWM3	I2S_LR	SPI_CN	0x5ae[5:4]	0x598[2]	0x599[2]	0x59a[2]	0x59b[2]	0x59c[2]	0x59d[2]	0x59e[2]
PWM1_N/ I2S_SDI/ 7816_TRX (UART_TX)/ PD<3>	GPIO	7816_TRX (UART_TX)	I2S_SDI	PWM1_N	0x5ae[7:6]	0x598[3]	0x599[3]	0x59a[3]	0x59b[3]	0x59c[3]	0x59d[3]	0x59e[3]
SWM/ I2S_SDO/ PWM2_N/ PD<4>	GPIO	PWM2_N	I2S_SDO	SWM	0x5af[1:0]	0x598[4]	0x599[4]	0x59a[4]	0x59b[4]	0x59c[4]	0x59d[4]	0x59e[4]
PWM0/ PWM0_N/ PD<5>	GPIO	PWM0_N	/	PWM0	0x5af[3:2]	0x598[5]	0x599[5]	0x59a[5]	0x59b[5]	0x59c[5]	0x59d[5]	0x59e[5]
CN/ UART_RX/ ATSELO/ PD<6>	GPIO	ATSELO	UART_RX	CN	0x5af[5:4]	0x598[6]	0x599[6]	0x59a[6]	0x59b[6]	0x59c[6]	0x59d[6]	0x59e[6]
SPI_CK/ I2S_BCK/ 7816_TRX (UART_TX)/ PD<7>	SPI_CK	7816_TRX (UART_TX)	I2S_BCK	SPI_CK	0x5af[7:6]	0x598[7]	0x599[7]	0x59a[7]	0x59b[7]	0x59c[7]	0x59d[7]	0x59e[7]

**\*Notes:**

- (1) IE: Input enable, high active. 1: enable input, 0: disable input.
- (2) OEN: Output enable, low active. 0: enable output, 1: disable output.
- (3) Register: Configure multiplexed functions in “Pad Function Mux” column.
- (4) Output: configure GPO output.
- (5) Input: read GPI input.
- (6) DS: Drive strength. Default: 1 (high DS level).
- (7) Act as GPIO: enable (1) or disable (0) GPIO function.
- (8) Polarity: see section 7.1.2 Connection relationship between GPIO and related modules.
- (9) Priority: “Act as GPIO” has the highest priority. To configure as multiplexed function, disable GPIO function first.
- (10) afe\_0xbd, afe\_0xbf, afe\_0xc0 and afe\_0xc2 marked in red color are analog registers; others are digital registers.
- (11) For all unused GPIOs, corresponding “IE” must be set as 0.
- (12) When SWS/PA<7> “IE” is set as 1, this pin must be fixed as pull-up/pull-down state (float state is not allowed).

- (13) To use PD<6>/CN as SPI Slave CN function, it's needed to enable GPIO function for PD<2>/SPI\_CN, because PD<2> has higher priority than PD<6>.
- (14) To use SAR ADC/low power comparator/PGA pin function, please refer to corresponding module sections.
- (15) The GPIO pins with 7816\_TRX function, including PC<2>, PD<0>, PD<3> and PD<7>, can also act as UART\_TX, but DO NOT support UART\_RX.

### 7.1.1.2 GPIO Logic Introduction

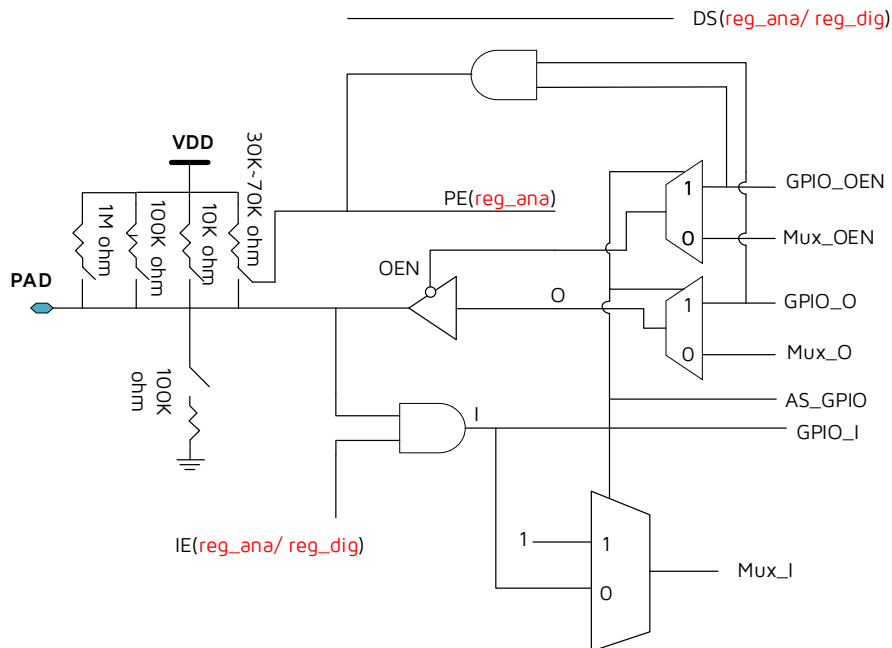


Figure 7- 1 GPIO logic diagram

In the figure above,

- (1) DS: drive strength, 1: high drive strength; 0: low drive strength
- (2) PE: pull-up enable, 1: pull up; 0: no pull up
- (3) OEN: output enable, 1: high Z; 0: output
- (4) O: output value, when OEN is 0, output this value
- (5) I: input value
- (6) IE: input enable, if IE is 0, C is always zero
- (7) 1M, 10K, pull up and 100K pull down resistors are controlled by analog 3.3V register controller

**\*Notes:**

- (1) When PAD is set as functional IO, no need to configure GPIO\_OEN as the functional IO will enable Mux\_OEN.
- (2) When PAD is input, IE should be enabled regardless of functional IO or GPIO, and output to I, AS\_GPIO is 1, Mux\_I is 1.

- (3) There are two methods to configure digital pull-up of 30k~70k ohm:
  - ✧ PC group and PD group (may vary for different chips), pad can configure analog register PE and enable digital pull-up.
  - ✧ Other group of pad, when GPIO\_OEN=1 and GPIO\_I=1, it enables digital pull-up.
- (4) Analog pull-up has three options: 1M, 100k, 10k ohm; analog pull-down has only 100k ohm. They can be configured via corresponding analog registers.
- (5) The GPIO configuration sequence should be: configure the MUX function, and then disable GPIO function. If disable GPIO first and then set function, the default function of the pad may be enabled and will cause false output level.

### 7.1.1.3 Multiplexed functions

Each pin listed in Table 7-1 acts as the function in the “**Default Function**” column by default.

- ✧ PA<7> acts as SWS function by default.
- ✧ PB<6:7>, PD<2,7> act as SPI function by default.
- ✧ The other digital IOs act as GPIO function by default.

If a pin with multiplexed functions does not act as GPIO function by default, to use it as GPIO, first set the bit in “**Act as GPIO**” column as 1b’1. After GPIO function is enabled, if the pin is used as output, both the bits in “**IE**” and “**OEN**” columns should be set as 1b’0, then set the register value in the “**Output**” column; if the pin is used as input, both the bits in “**IE**” and “**OEN**” columns should be set as 1b’1, and the input data can be read from the register in the “**Input**” column.

To use a pin as certain multiplexed function (neither the default function nor GPIO function), first clear the bit in “**Act as GPIO**” column to disable GPIO function, and then configure “**Register**” in “**Pad Function Mux**” column to enable multiplexed function correspondingly.

**Example 1:** DMIC\_DI/ PWM0\_N/ UART\_RX/ PA<0>.

- (1) The pin acts as GPIO function by default.
  - ✧ If the pin is used as general output, both address 0x581[0] (IE) and 0x582[0] (OEN) should be set as 1b’0, then configure address 0x583[0] (Output).
  - ✧ If the pin is used as general input, both address 0x581[0] (IE) and 0x582[0] (OEN) should be set as 1b’1, and the input data can be read from address 0x580[0] (Input).
- (2) To use the pin as DMIC\_DI function, address 0x586[0] (Act as GPIO) should be set as 1b’0, and 0x5a8[1:0] (Register) should be set as 2b’00.
- (3) To use the pin as PWM0\_N function, address 0x586[0] (Act as GPIO) should be set as 1b’0, and 0x5a8[1:0] (Register) should be set as 2b’01.
- (4) To use the pin as UART\_RX function, address 0x586[0] (Act as GPIO) should be set as 1b’0, and 0x5a8[1:0] (Register) should be set as 2b’10.

**Example 2:** SWS/ UART\_RTS/ PA<7>.

- (1) The pin acts as SWS function by default.

- (2) To use it as GPIO function, first set address 0x586[7] (Act as GPIO) as 1b'1.
- ✧ If the pin is used as general output, both address 0x581[7] (IE) and 0x582[7] (OEN) should be set as 1b'0, then configure address 0x583[7] (Output).
  - ✧ If the pin is used as general input, both address 0x581[7] (IE) and 0x582[7] (OEN) should be set to 1b'1, and the input data can be read from address 0x580[7] (Input).
- (3) To use it as UART\_RTS function, set address 0x586[7] (Act as GPIO) as 1b'0, and set 0x5a9[7:6] (Register) to 2b'01.

I2C can also be multiplexed with SPI interface, i.e. I2C\_SDA/I2C\_SCK can be multiplexed with SPI\_DI (DI)/SPI\_CK (CK) respectively.

To select multiplexed SPI/I2C function, please follow the steps below:

- 1) Disable GPIO function by setting corresponding "Act as GPIO" as 1b'0.
- 2) Select SPI/I2C function by setting corresponding "Register".
- 3) Address 0x5b6[7:4] serve to select SPI or I2C output.
- 4) Address 0x5b7[7:0] serve to select SPI input or I2C input.

Table 7- 2 Select multiplexed SPI/I2C

Pin with multiplexed SPI/I2C	Act as GPIO	Register	SPI Input Select	I2C Input Select	SPI/I2C Output Select
DI/UART_CTS/PWM1/PA<3>	0x586[3]=0 Disable GPIO	0x5a8[7:6]=0 Select DI (I2C_SDA)	5b7[0] 1: as SPI input. 0: not as SPI input.	5b7[4] 1: as I2C input. 0: not as I2C input.	0x5b6[4] 1: as SPI/I2C output 0: not as SPI/I2C output
CK/UART_RTS/PWM2/PB<4>	0x586[4]=0 Disable GPIO	0x5a9[1:0]=0 Select CK (I2C_SCK)	5b7[1] 1: as SPI input. 0: not as SPI input.	5b7[5] 1: as I2C input. 0: not as I2C input.	0x5b6[5] 1: as SPI/I2C output 0: not as SPI/I2C output
SDM_P1/SPI_DI/UART_RTS/ Ic_comp_ain<6>/sar_aio<6>/PB<6>	0x58e[6]=0 Disable GPIO	0x5ab[5:4]=1 Select SPI_DI (I2C_SDA) (default function)	5b7[2] 1: as SPI input. 0: not as SPI input.	5b7[6] 1: as I2C input. 0: not as I2C input.	0x5b6[6] 1: as SPI/I2C output 0: not as SPI/I2C output
SPI_CK/I2S_BCK/7816_TRX (UART_TX)/PD<7>	0x59e[7] =0 Disable GPIO	0x5af[7:6] =0 Select SPI_CK (I2C_SCK) (default function)	5b7[3] 1: as SPI input. 0: not as SPI input.	5b7[7] 1: as I2C input. 0: not as I2C input.	0x5b6[7] 1: as SPI/I2C output 0: not as SPI/I2C output

#### 7.1.1.4 Drive strength

The registers in the "DS" column are used to configure the corresponding pin's driving strength: "1" indicates maximum drive level, while "0" indicates minimal drive level.

The "DS" configuration will take effect when the pin is used as output. It's set as the strongest driving level by default. In actual applications, driving strength can be decreased to lower level if necessary.

- ✧ PA<5:7>, PB<0:3>: maximum=8mA ("DS"=1), minimum=4mA ("DS"=0)

- ✧ PB<4:7>: maximum=16mA (“DS”=1), minimum=12mA (“DS”=0)
- ✧ Other GPIOs (PA<0:4>, PC<0:7> and PD<0:7>): maximum=4mA (“DS”=1), minimum=2mA (“DS”=0)

### 7.1.2 Connection relationship between GPIO and related modules

GPIO can be used to generate GPIO interrupt signal for interrupt system, counting or control signal for Timer/Counter module, or GPIO2RISC interrupt signal for interrupt system.

For the “Exclusive Or (XOR)” operation result for input signal from any GPIO pin and respective “Polarity” value, on one hand, it takes “And” operation with “irq” and generates GPIO interrupt request signal; on the other hand, it takes “And” operation with “m0/m1/m2”, and generates counting signal in Mode 1 or control signal in Mode 2 for Timer0/Timer1/Timer2, or generates GPIO2RISC[0]/GPIO2RISC[1] interrupt request signal.

GPIO interrupt request signal =  $| ((input \wedge polarity) \& irq);$

Counting (Mode 1) or control (Mode 2) signal for Timer0 =  $| ((input \wedge polarity) \& m0);$

Counting (Mode 1) or control (Mode 2) signal for Timer1 =  $| ((input \wedge polarity) \& m1);$

Counting (Mode 1) or control (Mode 2) signal for Timer2 =  $| ((input \wedge polarity) \& m2);$

GPIO2RISC[0] interrupt request signal =  $| ((input \wedge polarity) \& m0);$

GPIO2RISC[1] interrupt request signal =  $| ((input \wedge polarity) \& m1);$

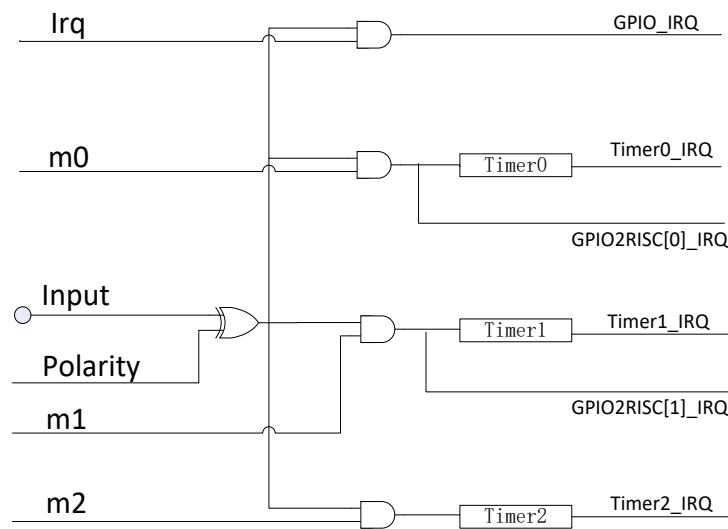


Figure 7- 2 Logic relationship between GPIO and related modules

Please refer to Table 7- 3 and Table 6- 1 to learn how to configure GPIO for interrupt system or Timer/Counter (Mode 1 or Mode 2).

(1) First enable GPIO function, enable IE and disable OEN. Please see section 7.1.1 Basic configuration.

(2) GPIO IRQ signal:

Select GPIO interrupt trigger edge (positive edge or negative edge) via configuring “**Polarity**”, and set corresponding GPIO interrupt enabling bit “**Irq**”.

Then set address 0x5b5[3] (irq\_enable) to enable GPIO IRQ.

Finally enable GPIO interrupt (irq\_gpio) via address 0x642[2].

User can read addresses 0x5e0 ~ 0x5e3 to see which GPIO asserts GPIO interrupt request signal. Note: 0x5e0[7:0] --> PA<7>~PA<0>, 0x5e1[7:0] --> PB<7>~PB<0>, 0x5e2[7:0] --> PC<7>~PC<0>, 0x5e3[7:0] --> PD<7>~PD<0>.

### (3) Timer/Counter counting or control signal:

Configure “**Polarity**”. In Timer Mode 1, it determines GPIO edge when Timer Tick counting increases. In Timer Mode 2, it determines GPIO edge when Timer Tick starts counting.

Then set “**m0/m1/m2**” to specify the GPIO which generates counting signal (Mode 1)/control signal (Mode 2) for Timer0/Timer1/Timer2.

User can read addresses 0x5e8~0x5eb/0x5f0~0x5f3/0x5f8~0x5fb to see which GPIO asserts counting signal (in Mode 1) or control signal (in Mode 2) for Timer0/Timer1/Timer2. Note: Timer0: 0x5e8[7:0] --> PA<7>~PA<0>, 0x5e9[7:0] --> PB<7>~PB<0>, 0x5ea[7:0] --> PC<7>~PC<0>, 0x5eb[7:0] --> PD<7>~PD<0>; Timer1: 0x5f0[7:0] --> PA<7>~PA<0>, 0x5f1[7:0] --> PB<7>~PB<0>, 0x5f2[7:0] --> PC<7>~PC<0>, 0x5f3[7:0] --> PD<7>~PD<0>; Timer2: 0x5f8[7:0] --> PA<7>~PA<0>, 0x5f9[7:0] --> PB<7>~PB<0>, 0x5fa[7:0] --> PC<7>~PC<0>, 0x5fb[7:0] --> PD<7>~PD<0>.

### (4) GPIO2RISC IRQ signal:

Select GPIO2RISC interrupt trigger edge (positive edge or negative edge) via configuring “**Polarity**”, and set corresponding GPIO enabling bit “**m0**”/“**m1**”.

Enable GPIO2RISC[0]/GPIO2RISC[1] interrupt, i.e. “gpio2risc[0]” (address 0x642[5]) / “gpio2risc[1]”(address 0x642[6]).

Table 7- 3 GPIO lookup table2

Pin	Input (R)	Polarity 1: active low 0: active high	Irq	m0	m1	m2
PA<0>	0x580[0]	0x584[0]	0x587[0]	0x5b8[0]	0x5c0[0]	0x5c8[0]
PA<1>	0x580[1]	0x584[1]	0x587[1]	0x5b8[1]	0x5c0[1]	0x5c8[1]
PA<2>	0x580[2]	0x584[2]	0x587[2]	0x5b8[2]	0x5c0[2]	0x5c8[2]
PA<3>	0x580[3]	0x584[3]	0x587[3]	0x5b8[3]	0x5c0[3]	0x5c8[3]
PA<4>	0x580[4]	0x584[4]	0x587[4]	0x5b8[4]	0x5c0[4]	0x5c8[4]
PA<5>	0x580[5]	0x584[5]	0x587[5]	0x5b8[5]	0x5c0[5]	0x5c8[5]
PA<6>	0x580[6]	0x584[6]	0x587[6]	0x5b8[6]	0x5c0[6]	0x5c8[6]
PA<7>	0x580[7]	0x584[7]	0x587[7]	0x5b8[7]	0x5c0[7]	0x5c8[7]
PB<0>	0x588[0]	0x58c[0]	0x58f[0]	0x5b9[0]	0x5c1[0]	0x5c9[0]
PB<1>	0x588[1]	0x58c[1]	0x58f[1]	0x5b9[1]	0x5c1[1]	0x5c9[1]
PB<2>	0x588[2]	0x58c[2]	0x58f[2]	0x5b9[2]	0x5c1[2]	0x5c9[2]

Pin	Input (R)	Polarity 1: active low 0: active high	Irq	m0	m1	m2
PB<3>	0x588[3]	0x58c[3]	0x58f[3]	0x5b9[3]	0x5c1[3]	0x5c9[3]
PB<4>	0x588[4]	0x58c[4]	0x58f[4]	0x5b9[4]	0x5c1[4]	0x5c9[4]
PB<5>	0x588[5]	0x58c[5]	0x58f[5]	0x5b9[5]	0x5c1[5]	0x5c9[5]
PB<6>	0x588[6]	0x58c[6]	0x58f[6]	0x5b9[6]	0x5c1[6]	0x5c9[6]
PB<7>	0x588[7]	0x58c[7]	0x58f[7]	0x5b9[7]	0x5c1[7]	0x5c9[7]
PC<0>	0x590[0]	0x594[0]	0x597[0]	0x5ba[0]	0x5c2[0]	0x5ca[0]
PC<1>	0x590[1]	0x594[1]	0x597[1]	0x5ba[1]	0x5c2[1]	0x5ca[1]
PC<2>	0x590[2]	0x594[2]	0x597[2]	0x5ba[2]	0x5c2[2]	0x5ca[2]
PC<3>	0x590[3]	0x594[3]	0x597[3]	0x5ba[3]	0x5c2[3]	0x5ca[3]
PC<4>	0x590[4]	0x594[4]	0x597[4]	0x5ba[4]	0x5c2[4]	0x5ca[4]
PC<5>	0x590[5]	0x594[5]	0x597[5]	0x5ba[5]	0x5c2[5]	0x5ca[5]
PC<6>	0x590[6]	0x594[6]	0x597[6]	0x5ba[6]	0x5c2[6]	0x5ca[6]
PC<7>	0x590[7]	0x594[7]	0x597[7]	0x5ba[7]	0x5c2[7]	0x5ca[7]
PD<0>	0x598[0]	0x59c[0]	0x59f[0]	0x5bb[0]	0x5c3[0]	0x5cb[0]
PD<1>	0x598[1]	0x59c[1]	0x59f[1]	0x5bb[1]	0x5c3[1]	0x5cb[1]
PD<2>	0x598[2]	0x59c[2]	0x59f[2]	0x5bb[2]	0x5c3[2]	0x5cb[2]
PD<3>	0x598[3]	0x59c[3]	0x59f[3]	0x5bb[3]	0x5c3[3]	0x5cb[3]
PD<4>	0x598[4]	0x59c[4]	0x59f[4]	0x5bb[4]	0x5c3[4]	0x5cb[4]
PD<5>	0x598[5]	0x59c[5]	0x59f[5]	0x5bb[5]	0x5c3[5]	0x5cb[5]
PD<6>	0x598[6]	0x59c[6]	0x59f[6]	0x5bb[6]	0x5c3[6]	0x5cb[6]
PD<7>	0x598[7]	0x59c[7]	0x59f[7]	0x5bb[7]	0x5c3[7]	0x5cb[7]

### 7.1.3 Pull-up/Pull-down resistor

All GPIOs (including PA<0>~PD<7>) support configurable pull-up resistor of rank x1 and x100 or pull-down resistor of rank x10 which are all disabled by default. Analog registers afe\_0x0e<7:0>~afe\_0x15<7:0> serve to control the pull-up/pull-down resistor for each GPIO.

The DP pin also supports 1.5kΩ pull-up resistor for USB use. The 1.5kΩ pull up resistor is disabled by default and can be enabled by setting analog register afe\_0x0b<7> as 1b'1. For the DP/PA<6> pin, user can only enable either 1.5kΩ pull-up resistor or pull-up resistor of rank x1/x100 / pull-down resistor of rank x10 at the same time. Please refer to Table 7- 4 for details.

Take the PA<0> for example: Setting analog register afe\_0x0e<1:0> to 2b'01/2b'11/2b'10 is to respectively enable pull-up resistor of rank x100/pull-up resistor of rank x1/pull-down resistor of rank x10 for PA<0>; Clearing the two bits (default value) disables pull-up and pull-down resistor for PA<0>.

Table 7- 4 Analog registers for pull-up/pull-down resistor control

Address	Mnemonic	Default	Description
afe_0x0b<7>	dp_pullup_res_3v	0x0	1.5k (Typ.) pull-up resistor for USB DP PAD 0: disable 1: enable

Address	Mnemonic	Default	Description
<b>Rank</b>	<b>Typical value (depend on actual application)</b>		
x1	18kohm		
x10	160kohm		
x100	1Mohm		
afe_0x0e<7:0>	a_sel<7:0>	0x00000000	PA<3:0> pull up and down select: <7:6>: PA<3> <5:4>: PA<2> <3:2>: PA<1> <1:0>: PA<0> 00: Null 01: x100 pull up 10: x10 pull down 11: x1 pull up
afe_0x0f<7:0>	a_sel<15:8>	0x00000000	PA<7:4> pull up and down select: <7:6>: PA<7> <5:4>: PA<6> <3:2>: PA<5> <1:0>: PA<4> 00: Null 01: x100 pull up 10: x10 pull down 11: x1 pull up
afe_0x10<7:0>	b_sel<7:0>	0x00000000	PB<3:0> pull up and down select: 00: Null 01: x100 pull up 10: x10 pull down 11: x1 pull up
afe_0x11<7:0>	b_sel<15:8>	0x00000000	PB<7:4> pull up and down select: 00: Null 01: x100 pull up 10: x10 pull down 11: x1 pull up
afe_0x12<7:0>	c_sel<7:0>	0x00000000	PC<3:0> pull up and down select: 00: Null 01: x100 pull up 10: x10 pull down 11: x1 pull up
afe_0x13<7:0>	c_sel<15:8>	0x00000000	PC<7:4> pull up and down select: 00: Null 01: x100 pull up 10: x10 pull down 11: x1 pull up

Address	Mnemonic	Default	Description
afe_0x14<7:0>	d_sel<7:0>	0x00000000	PD<3:0> pull up and down select: 00: Null 01: x100 pull up 10: x10 pull down 11: x1 pull up
afe_0x15<7:0>	d_sel<15:8>	00000000	PD<7:4> pull up and down select: 00: Null 01: x100 pull up 10: x10 pull down 11: x1 pull up

## 7.2 SWM and SWS

The TLSR8251 supports Single Wire interface. SWM (Single Wire Master) and SWS (Single Wire Slave) represent the master and slave device of the single wire communication system developed by Telink. The maximum data rate can be up to 2Mbps.

## 7.3 I2C

The TLSR8251 embeds I2C hardware module, which could act as Master mode or Slave mode. I2C is a popular inter-IC interface requiring only 2 bus lines, a serial data line (SDA) and a serial clock line (SCL).

### 7.3.1 Communication protocol

Telink I2C module supports standard mode (100kbps) and Fast-mode (400kbps) with restriction that system clock must be by at least 10x of data rate.

Two wires, SDA and SCL (SCK) carry information between Master device and Slave device connected to the bus. Each device is recognized by unique address (ID). Master device is the device which initiates a data transfer on the bus and generates the clock signals to permit that transfer. Slave device is the device addressed by a Master.

Both SDA and SCL are bidirectional lines connected to a positive supply voltage via a pull-up resistor. It's recommended to use external 3.3kohm pull-up resistor. For standard mode, the internal pull-up resistor of rank x1 can be used instead of the external 3.3kohm pull-up.

When the bus is free, both lines are HIGH. It's noted that data in SDA line must keep stable when clock signal in SCL line is at high level, and level state in SDA line is only allowed to change when clock signal in SCL line is at low level.

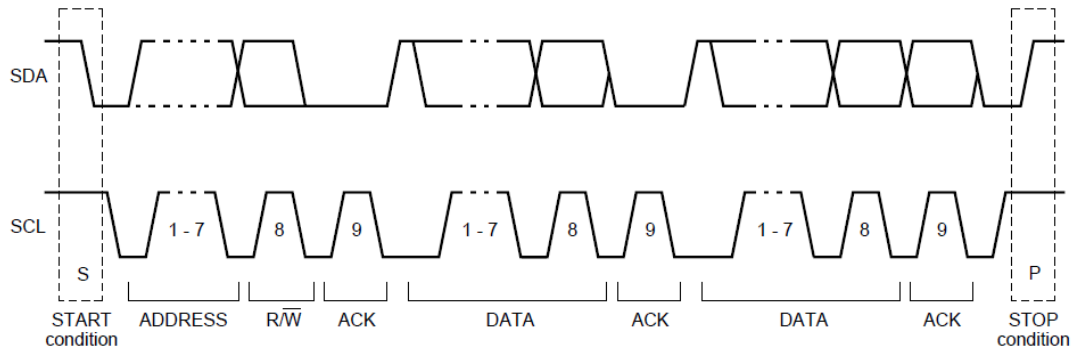


Figure 7-3 I2C timing chart

### 7.3.2 Register table

Table 7-5 Register configuration for I2C

Address	R/W	Description	Default Value
0x00	RW	I2C master clock speed	0x1f
0x01	RW	[7:1] I2C ID	0x5c
0x02	RW	[0]: master busy [1]: master packet busy [2]: master received status 0 for ACK; 1 for NAK	0x00
0x03	RW	[0]: address auto increase enable [1]: I2C master enable [2]: enable Mapping Mode [3]: r_clk_stretch_en, suspend transmission by pulling SCL down to low level, and continue transmission after SCL is released to high level	0x01
0x04	RW	[7:0] data buffer in master mode	0x5a
0x05	RW	[7:0] Data buffer in master mode	0xf1
0x06	RW	[7:0] Data buffer for Read or Write in master mode	0x00
0x07	RW	[0]: launch ID cycle [1]: launch address cycle (send I2CAD data) [2]: launch data write cycle [3]: launch data read cycle For Master Write: 0: I2CAD&I2CDW, 1: I2CAD&I2CDW&I2CDR) To write 3 bytes: bit[3]=1; To write 2 bytes: bit[3]=0. For Master Read: always 1. [4]: launch start cycle [5]: launch stop cycle [6]: enable read ID [7]: enable ACK in read command	0x00
0xe0	R	[6:0] I2C read address	0x00
0xe1	RW	Low byte of Mapping mode buffer address	0x80

Address	R/W	Description	Default Value
0xe2	RW	Middle byte of Mapping mode buffer address	0xd7
0xe3	RW	High byte of Mapping mode buffer address	0x00
0xe4	RW	[0]: host_cmd_irq_o, I2C host operation has happened. Write 1 to clear. [1]: host_rd_tag_o, I2C host operation has happened and is read operation. Write 1 to clear.	0x00

### 7.3.3 I2C Slave mode

I2C module of the TLSR8251 acts as Slave mode by default. I2C slave address can be configured via register I2C\_ID (address 0x01) [7:1].

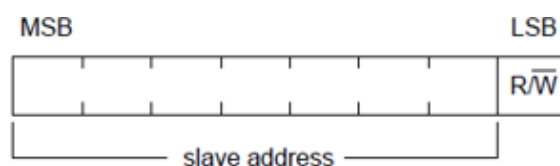


Figure 7- 4 Byte consisted of slave address and R/W flag bit

I2C slave mode supports two sub modes including Direct Memory Access (DMA) mode and Mapping mode, which is selectable via address 0x03[2].

In I2C Slave mode, Master could initiate transaction anytime. I2C slave module will reply with ACK automatically. To monitor the start of I2C transaction, user could set interrupt from GPIO for SCA or SCL.

#### 7.3.3.1 DMA mode

In DMA mode, other devices (Master) could access (read/write) designated address in Register and/or SRAM of the TLSR8251 according to I2C protocol. I2C module of the TLSR8251 will execute the read/write command from I2C master automatically. But user needs to notice that the system clock shall be at least 10x faster than I2C bit rate.

The access address designated by Master is offset by 0x800000. In the TLSR8251, Register address starts from 0x800000 and SRAM address starts from 0x840000. For example, if Addr High (AddrH) is 0x04, Addr Middle (AddrM) is 0x00, and Addr Low (AddrL) is 0xcc, the real address of accessed data is 0x8400cc.

In DMA mode, Master could read/write data byte by byte. The designated access address is initial address and it supports auto increment by setting address 0x03[0] to 1b'1.

## Read Format in DMA mode

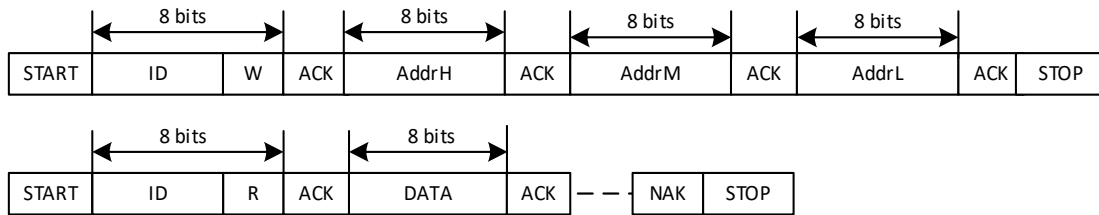


Figure 7-5 Read format in DMA mode

## Write Format in DMA mode

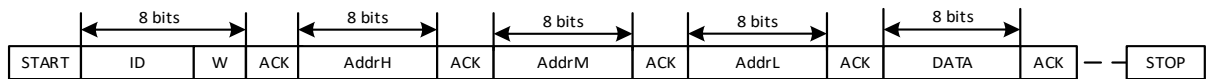


Figure 7-6 Write format in DMA mode

### 7.3.3.2 Mapping mode

Mapping mode could be enabled via setting register I2CSCT0 (address 0x03)[2] to 1b'1.

In Mapping mode, data written and read by I2C master will be redirected to specified 128-byte buffer in SRAM. User could specify the initial address of the buffer by configuring registers HOSR\_ADR\_L (address 0xe1, lower byte), HOSR\_ADR\_M (address 0xe2, middle byte) and HOSR\_ADR\_H (address 0xe3, higher byte). The first 64-byte buffer is for written data and following 64-byte buffer is for read data. Every time the data access will start from the beginning of the Write-buffer/Read-buffer after I2C stop condition occurs. The last accessed data address could be checked in register I2CMAP\_HADR (address 0xe0) [6:0] which is only updated after I2C STOP occurs.

## Read Format in mapping mode

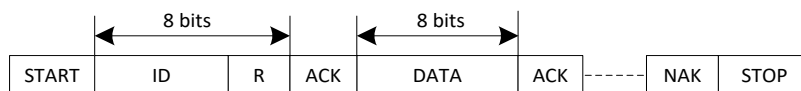


Figure 7-7 Read format in Mapping mode

## Write Format in mapping mode

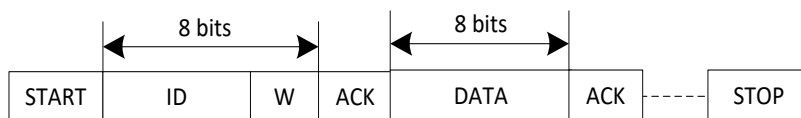


Figure 7-8 Write format in Mapping mode

### 7.3.4 I2C Master mode

Address 0x03[1] should be set to 1b'1 to enable I2C master mode for the TLSR8251.

Address 0x00 serves to set I2C Master clock:  $F_{I2C} = (\text{System Clock} / (4 * \text{clock speed configured in address 0x00}))$ .

A complete I2C protocol contains START, Slave Address, R/W bit, data, ACK and STOP. Slave address could be configured via address 0x01[7:1].

I2C Master (i.e. I2C module of the TLSR8251) could send START, Slave Address, R/W bit, data and STOP cycle by configuring address 0x07. I2C master will send enabled cycles in the correct sequence.

Address 0x02 serves to indicate whether Master/Master packet is busy, as well as Master received status. Bit[0] will be set to 1 when one byte is being sent, and the bit can be automatically cleared after a start signal/ address byte/acknowledge signal/data /stop signal is sent. Bit[1] is set to 1 when the start signal is sent, and the bit will be automatically cleared after the stop signal is sent. Bit[2] indicates whether to succeed in sending acknowledgement signal.

#### 7.3.4.1 I2C Master Write transfer

I2C Master has 3-byte buffer for write data, which are I2CAD (0x04), I2CDW (0x05) and I2CDR (0x06). Write transfer will be completed by I2C master module.

For example, to implement an I2C write transfer with 3-byte data, which contains START, Slave Address, Write bit, ack from Slave, 1st byte, ack from slave, 2nd byte, ack from slave, 3rd byte, ack from slave and STOP, user needs to configure I2C slave address to I2C\_ID (0x01) [7:1], 1st byte data to I2CAD, 2nd byte data to I2CDW and 3rd byte to I2CDR. To start I2C write transfer, I2CSCT1 (0x07) is configured to 0x3f (0011 1111). I2C Master will launch START, Slave address, Write bit, load ACK to I2CMST (0x02) [2], send I2CAD data, load ACK to I2CMST[2], send I2CDW data, load ACK to I2CMST[2], send I2CDR data, load ACK to I2CMST[2] and then STOP sequentially.

For I2C write transfer whose data are more than 3 bytes, user could split the cycles according to I2C protocol.

#### 7.3.4.2 I2C Master Read transfer

I2C Master has one byte buffer for read data, which is I2CDR (0x06). Read transfer will be completed by I2C Master.

For example, to implement an I2C read transfer with 1 byte data, which contains START, Slave Address, Read bit, Ack from Slave, 1st byte from Slave, Ack by master and STOP, user needs to configure I2C slave address to I2C\_ID (0x01) [7:1]. To start I2C read transfer, I2CSCT1 (0x07) is configured to 0xf9 (1111 1001). I2C Master will launch START, Slave address, Read bit, load ACK to I2CMST (0x02) [2], load data to I2CDR, reply ACK and then STOP sequentially.

For I2C read transfer whose data are more than 1 byte, user could split the cycles according to I2C protocol.

#### 7.3.5 I2C and SPI Usage

I2C hardware and SPI hardware modules in the chip share part of the hardware, as a result, when both hardware interfaces are used, the restrictions listed within this section need to be taken into consideration.

I2C and SPI hardware cannot be used as Slave at the same time.

The other cases are supported, including:

- ✧ I2C Slave and SPI Master can be used at the same time.
- ✧ I2C Master and SPI Slave can be used at the same time.
- ✧ I2C and SPI can be used as Master at the same time.

Please refer to corresponding SDK instructions for details.

## 7.4 SPI

The TLSR8251 embeds SPI (Serial Peripheral interface), which could act as Master mode or Slave mode. SPI is a high-speed, half-duplex and synchronous communication bus requiring 4 bus lines including a chip select (CS) line, a data input (DI) line, a data output (DO) line and a clock (CK) line.

### 7.4.1 Register table

Table 7- 6 Register configuration for SPI

Address	R/W	Description	Default Value
0x08	RW	[7:0]: SPI data access	0x00
0x09	RW	[0]: mst_csn, control SPI_CSN output when SPI acts as Master [1]: enable master mode [2]: spi data output disable [3]: 1 for read command; 0 for write command [4]: address auto increase [5]: share_mode [6]: busy status	0x11
0x0a	RW	[6:0]: SPI clock speed [7]: SPI function mode, p_csn, p_scl, p_sda and p_sdo function as SPI if 1	0x05
0x0b	RW	[0]: inverse SPI clock output [1]: data delay half clk	0x00

### 7.4.2 SPI Master mode

SPI for the TLSR8251 supports both master mode and slave mode and acts as slave mode by default. Address 0x09 bit[1] should be set to 1b'1 to enable SPI Master mode. Register SPIISP is to configure SPI pin and clock: setting address 0x0a bit[7] to 1 is to enable SPI function mode, and corresponding pins can be used as SPI pins; SPI clock = system clock/((clock speed configured in address 0x0a bit[6:0] +1)\*2).

Address 0x08 serves as the data register. One reading/writing operation of 0x08 enables the SPI\_CK pin to generate 8 SPI clock cycles.

Telink SPI supports four standard working modes: Mode 0~Mode 3. Register SPIMODE (address 0x0b) serves to select one of the four SPI modes:

Table 7- 7 SPI Master mode

SPI mode	CPOL/CPHA	SPIMODE register (Address 0x0b)
Mode 0	CPOL=0, CPHA=0	bit[0]=0, bit[1]=0
Mode 1	CPOL=0, CPHA=1	bit[0]=0, bit[1]=1
Mode 2	CPOL=1, CPHA=0	bit[0]=1, bit[1]=0
Mode 3	CPOL=1, CPHA=1	bit[0]=1, bit[1]=1

CPOL: Clock Polarity  
 When CPOL=0, SPI\_CLK keeps low level in idle state;  
 When CPOL=1, SPI\_CLK keeps high level in idle state.  
 CPHA: Clock Phase  
 When CPHA=0, data is sampled at the first edge of clock period  
 When CPHA=1, data is sampled at the latter edge of clock period

Address 0x09 bit[0] is to control the CS line: when the bit is set to 1, the CS level is high; when the bit is cleared, the CS level is low.

Address 0x09 bit[2] is the disabling bit for SPI Master output. When the bit is cleared, MCU writes data into address 0x08, then the SPI\_DO pin outputs the data bit by bit during the 8 clock cycles generated by the SPI\_CK pin. When the bit is set to 1b'1, SPI\_DO output is disabled.

Address 0x09 bit[3] is the enabling bit for SPI Master reading data function. When the bit is set to 1b'1, MCU reads the data from address 0x08, then the input data from the SPI\_DI pin is shifted into address 0x08 during the 8 clock cycles generated by the SPI\_CK pin. When the bit is cleared, SPI Master reading function is disabled.

Address 0x09[5] is the enabling bit for share mode, i.e. whether SPI\_DI and SPI\_DO share one common line.

Users can read address 0x09 bit[6] to get SPI busy status, i.e. whether the 8 clock pulses have been sent.

### 7.4.3 SPI Slave mode

SPI for the TLSR8251 acts as slave mode by default. SPI Slave mode supports DMA. User could access registers of the TLSR8251 by SPI interface. It's noted that system clock of TLSR8251 shall be at least 5x faster than SPI clock for reliable connection. Address 0x0a should be written with data 0xa5 by the SPI host to activate SPI slave mode. SPI slave only supports Mode0 and Mode3.

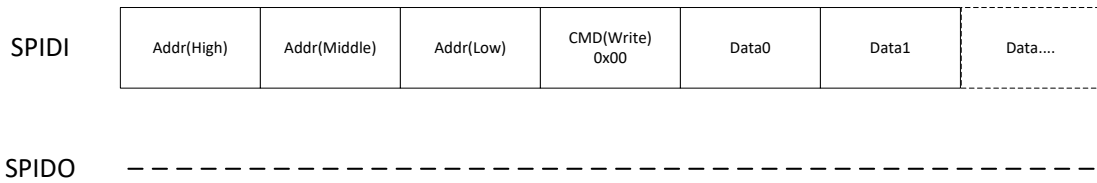
Table 7- 8SPI Slave mode

SPI slave mode	CPOL/CPHA
Mode 0	CPOL=0, CPHA=0
Mode 3	CPOL=1, CPHA=1

Receive data at positive edge of SPI MCLK clock.  
 Send data at negative edge of SPI MCLK clock.

Address 0x09[4] is dedicated for SPI Slave mode and indicates address auto increment. SPI write command format and read command format are illustrated in Figure 7-8:

### SPI Write Format



### SPI Read Format

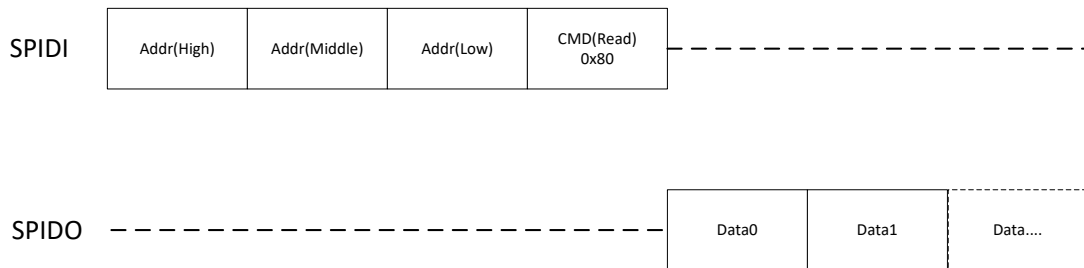


Figure 7- 9 SPI write/read command format

#### 7.4.4 I2C and SPI Usage

I2C hardware and SPI hardware modules in the chip share part of the hardware, as a result, when both hardware interfaces are used, certain restrictions apply.

See Section 7.3.5 I2C and SPI Usage for detailed instructions.

#### 7.5 UART

The TLSR8251 embeds UART (Universal Asynchronous Receiver/Transmitter) to implement full-duplex transmission and reception via UART TX and RX interface. Both TX and RX interface are 4-layer FIFO (First In First Out) interface.

Hardware flow control is supported via RTS and CTS.

The UART module also supports ISO7816 protocol to enable communication with ISO/IEC 7816 integrated circuit card, especially smart card. In this mode, half-duplex communication (transmission or reception) is supported via the shared 7816\_TRX interface.

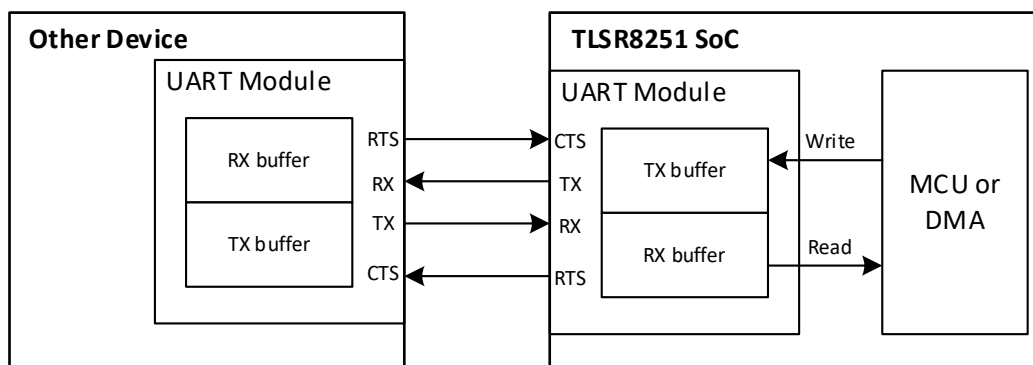


Figure 7-10 UART communication

As shown in Figure 7-9, data to be sent is first written into TX buffer by MCU or DMA, then UART module transmits the data from TX buffer to other device via pin TX. Data to be read from other device is first received via pin RX and sent to RX buffer, then the data is read by MCU or DMA.

If RX buffer of the TLSR8251 UART is close to full, the TLSR8251 will send a signal (configurable high or low level) via pin RTS to inform other device that it should stop sending data. Similarly, if the TLSR8251 receives a signal from pin CTS, it indicates that RX buffer of other device is close to full and the TLSR8251 should stop sending data.

Table 7-9 Register configuration for UART

Address	R/W	Description	Default Value
0x90	RW	write/read buffer[7:0]	0x00
0x91	RW	Write/read buffer[15:8]	0x00
0x92	RW	Write/read buffer[23:16]	0x00
0x93	RW	Write/read buffer[31:24]	0x00
0x94	RW	[7:0]: uart clk div register <code>uart_clk_div[7:0]</code>	0xff
0x95	RW	[6:0]: uart clk div register <code>uart_clk_div[14:8]</code> $uart\_sclk = sclk / (uart\_clk\_div[14:0] + 1)$ [7]: <code>uart_clk_div[15]</code> 1: enable clock divider, 0: disable.	0x0f
0x96	RW	[3:0] bwpc, bit width, should be larger than 2 $Baudrate = uart\_sclk / (bwpc + 1)$ [4] rx dma enable [5] tx dma enable [6] rx interrupt enable [7] tx interrupt enable	0x0f
0x97	RW	[0] cts select, 0: <code>cts_i</code> , 1: <code>cts_i</code> inverter [1]: cts enable, 1: enable, 0: disable [2]: Parity, 1: enable, 0: disable [3]: even Parity or odd [5:4]: stop bit 00: 1 bit, 01: 1.5bit, 1x: 2bits [6]: ttl [7]: uart tx, rx loopback	0x0e
0x98	RW	[3:0] rts trig level	0xa5

Address	R/W	Description	Default Value
		[4] rts Parity [5] rts manual value [6] rts manual enable [7] rts enable	
0x99	RW	[3:0]: rx_irq_trig level [7:4]: tx_irq_trig level	0x44
0x9a	RW	[7:0]: R_rxtimeout_o[7:0] The setting is transfer one bytes need cycles base on uart_clk. For example, if transfer one bytes (1 start bit+8bits data+1 priority bit+2 stop bits) total 12 bits, this register setting should be (bwpc+1)*12.	0xc0
0x9b	RW	[1:0]: R_rxtimeout_o[9:8] 2'b00:rx timeout time is r_rxtimeout[7:0] 2'b01:rx timeout time is r_rxtimeout[7:0]*2 2'b10:rx timeout time is r_rxtimeout[7:0]*3 3'b11: rx timeout time is r_rxtimeout[7:0]*4 R_rxtimeout is for rx dma to decide the end of each transaction. Supposed the interval between each byte in one transaction is very short. [5]: p7816_en_o [6]: mask_txdone [7]: mask_err	0x01
0x9c	R	[3:0]: rx_buf_cnt [7:4]: tx_buf_cnt	0x00
0x9d	R	[2:0] rbcnt [3] irq_o [6:4]wbcnt [6] write 1 to clear rx [7] rx_err, write 1 to clear tx	0x00
0x9e	R	[0] txdone [1] tx_buf_irq [2] rxdone [3] rx_buf_irq	0x00
0x9f	R	[2:0] tstate_i [7:4] rstate_i	0x00

Addresses 0x90~0x93 serve to write data into TX buffer or read data from RX buffer.

Addresses 0x94~0x95 serve to configure UART clock.

Address 0x96 serves to set baud rate (bit[3:0]), enable RX/TX DMA mode (bit[4:5]), and enable RX/TX interrupt (bit[6:7]).

Address 0x97 mainly serves to configure CTS. Bit[1] should be set to 1b'1 to enable CTS. Bit[0] serves to configure CTS signal level. Bit[2:3] serve to enable parity bit and select even/odd parity. Bit[5:4] serve to select 1/1.5/2 bits for stop bit. Bit[6] serves to configure whether RX/TX level should be inverted.

Address 0x98 serves to configure RTS. Bit[7] and Bit[3:0] serve to enable RTS and configure RTS signal level.

Address 0x99 serves to configure the number of bytes in RX/TX buffer to trigger interrupt.

The number of bytes in RX/TX buffer can be read from address 0x9c.

## 7.6 USB

The TLSR8251 has a full-speed (12Mbps) USB interface for communicating with other compatible digital devices. The USB interface acts as a USB peripheral, responding to requests from a master host controller. The chip contains internal 1.5kohm pull up resistor for the DP pin, which can be enabled via analog register afe\_0x0b<7>.

Telink USB interface supports the Universal Serial Bus Specification, Revision v2.0 (USB v2.0 Specification).

The chip supports 9 endpoints, including control endpoint 0 and 8 configurable data endpoints. Endpoint 1, 2, 3, 4, 7 and 8 can be configured as input endpoint, while endpoint 5 and 6 can be configured as output endpoint. In audio class application, only endpoint 6 supports iso out mode, while endpoint 7 supports iso in mode. In other applications, each endpoint can be configured as bulk, interrupt and iso mode. For control endpoint 0, the chip's hardware vendor command is configurable.

### Optional suspend mode:

- ✧ Selectable as USB suspend mode or chip suspend mode, support remote wakeup.
- ✧ Current draw in suspend mode complied with USB v2.0 Specification.
- ✧ USB pins (DM, DP) can be used as GPIO function in suspend mode.
- ✧ Resume and detach detect: Recognize USB device by detecting the voltage on the DP pin with configurable 1.5K pull-up resistor.
- ✧ USB pins configurable as wakeup GPIOs.

The USB interface belongs to an independent power domain, and it can be configured to power down independently.

## 8 PWM

The TLSR8251 supports 6-channel PWM (Pulse-Width-Modulation) output. Each PWM#n (n=0~5) has its corresponding inverted output at PWM#n\_N pin.

### 8.1 Register table

Table 8- 1 Register table for PWM

Address	R/W	Description	Default Value
0x780	R/W	[1]: 0--disable PWM1, 1--enable PWM1 [2]: 0--disable PWM2, 1--enable PWM2 [3]: 0--disable PWM3, 1--enable PWM3 [4]: 0--disable PWM4, 1--enable PWM4 [5]: 0--disable PWM5, 1--enable PWM5	0x00
0x781	R/W	[0]: 0--disable PWM0, 1--enable PWM0	0x00
0x782	R/W	Set PWM_clk: (PWM_CLKDIV+1)*sys_clk	0x00
0x783	R/W	[3:0]: PWM0 mode select 0000-pwm0 normal mode 0001-pwm0 count mode 0011-pwm0 IR mode 0111-pwm0 IR FIFO mode 1111-pwm0 IR DMA FIFO mode	0x00
0x784	R/W	[5:0]:1'b1 invert PWM output	0x00
0x785	R/W	[5:0]:1'b1 invert PWM_INV output	0x00
0x786	R/W	[5:0]: Signal frame polarity of PWM5~PWM0 1b'0-high level first 1b'1-low level first	0x00
0x788~ 0x793			
0x794	R/W	[7:0] bits 7-0 of PWM0's high time or low time(if pola[0]=1)	0x00
0x795	R/W	[15:8] bits 15-8 of PWM0's high time or low time	0x00
0x796	R/W	[7:0] bits 7-0 of PWM0's cycle time	0x00
0x797	R/W	[15:8] bits 15-8 of PWM0's cycle time	0x00
0x798	R/W	[7:0] bits 7-0 of PWM1's high time or low time(if pola[1]=1)	0x00
0x799	R/W	[15:8] bits 15-8 of PWM1's high time or low time	0x00
0x79a	R/W	[7:0] bits 7-0 of PWM1's cycle time	0x00
0x79b	R/W	[15:8] bits 15-8 of PWM1's cycle time	0x00
0x79c	R/W	[7:0] bits 7-0 of PWM2's high time or low time(if pola[2]=1)	0x00
0x79d	R/W	[15:8] bits 15-8 of PWM2's high time or low time	0x00
0x79e	R/W	[7:0] bits 7-0 of PWM2's cycle time	0x00
0x79f	R/W	[15:8] bits 15-8 of PWM2's cycle time	0x00

Address	R/W	Description	Default Value
0x7a0	R/W	[7:0] bits 7-0 of PWM3's high time or low time(if pola[3]=1)	0x00
0x7a1	R/W	[15:8] bits 15-8 of PWM3's high time or low time	0x00
0x7a2	R/W	[7:0] bits 7-0 of PWM3's cycle time	0x00
0x7a3	R/W	[15:8] bits 15-8 of PWM3's cycle time	0x00
0x7a4	R/W	[7:0] bits 7-0 of PWM4's high time or low time(if pola[4]=1)	0x00
0x7a5	R/W	[15:8] bits 15-8 of PWM4's high time or low time	0x00
0x7a6	R/W	[7:0] bits 7-0 of PWM4's cycle time	0x00
0x7a7	R/W	[15:8] bits 15-8 of PWM4's cycle time	0x00
0x7a8	R/W	[7:0] bits 7-0 of PWM5's high time or low time(if pola[5]=1)	0x00
0x7a9	R/W	[15:8] bits 15-8 of PWM5's high time or low time	0x00
0x7aa	R/W	[7:0] bits 7-0 of PWM5's cycle time	0x00
0x7ab	R/W	[15:8] bits 15-8 of PWM5's cycle time	0x00
0x7ac	R/W	[7:0] bits 7-0 of PWM0 Pulse number in count mode and IR mode	0x00
0x7ad	R/W	[13:8] bits 13-8 of PWM0 Pulse number in count mode and IR mode	0x00
0x7ae~ 0x7af			
0x7b0	R/W	INT mask [0] PWM0 Pnum int 0: disable 1: Enable [1] PWM0 ir dma fifo mode int 0: disable 1: Enable [2] PWM0 frame int 0: disable 1: Enable [3] PWM1 frame int 0: disable 1: Enable [4] PWM2 frame int 0: disable 1: Enable [5] PWM3 frame int 0: disable 1: Enable [6] PWM4 frame int 0: disable 1: Enable [7] PWM5 frame int 0: disable 1: Enable	0x00
0x7b1	R/W	INT status, write 1 to clear [0]: PWM0 pnum int (have sent PNUM pulses, PWM_NCNT==PWM_PNUM) [1]: PWM0 ir dma fifo mode int(pnum int & fifo empty in ir dma fifo mode) [2]: PWM0 cycle done int (PWM_CNT==PWM_TMAX) [3]: PWM1 cycle done int	0x00

Address	R/W	Description	Default Value
		(PWM_CNT==PWM_TMAX) [4]: PWM2 cycle done int (PWM_CNT==PWM_TMAX) [5]: PWM3 cycle done int (PWM_CNT==PWM_TMAX) [6]: PWM4 cycle done int (PWM_CNT==PWM_TMAX) [7]: PWM5 cycle done int (PWM_CNT==PWM_TMAX)	
0x7b2	R/W	[0]: PWM0 fifo mode fifo cnt int mask 0: disable, 1: Enable	0x00
0x7b3	R/W	INT status, write 1 to clear [0]: fifo mode cnt int, when FIFO_NUM (0x7cd[3:0]) is less than FIFO_NUM_LVL (0x7cc[3:0])	0x00
0x7b4	R	[7:0]PWM0 cnt value	0x00
0x7b5		[15:8]PWM0 cnt value	0x00
0x7b6	R	[7:0]PWM1 cnt value	0x00
0x7b7		[15:8]PWM1 cnt value	0x00
0x7b8	R	[7:0]PWM2 cnt value	0x00
0x7b9		[15:8]PWM2 cnt value	0x00
0x7ba	R	[7:0]PWM3 cnt value	0x00
0x7bb		[15:8]PWM3 cnt value	0x00
0x7bc	R	[7:0]PWM4 cnt value	0x00
0x7bd		[15:8]PWM4 cnt value	0x00
0x7be	R	[7:0]PWM5 cnt value	0x00
0x7bf		[15:8]PWM5 cnt value	0x00
0x7c0	R	[7:0]PWM0 pluse_cnt value	0x00
0x7c1		[15:8]PWM0 pluse_cnt value	0x00
0x7c2 ~ 0x7c3			
0x7c4	R/W	[7:0] bits 7-0 of PWM0's high time or low time(if pola[0]=1),if shadow bit(fifo data[14]) is 1'b1 in ir fifo mode or dma fifo mode	0x55
0x7c5	R/W	[15:8] bits 15-8 of PWM0's high time or low time ,if shadow bit(fifo data[14]) is 1'b1 in ir fifo mode or dma fifo mode	0x55
0x7c6	R/W	[7:0] bits 7-0 of PWM0's cycle time, if shadow bit(fifo data[14]) is 1'b1 in ir fifo mode or dma fifo mode	0x00
0x7c7	R/W	[15:8] bits 15-8 of PWM0's cycle time, if shadow bit(fifo frame[14]) is 1'b1 in ir fifo mode or dma fifo mode	0x00
0x7c8	R/W	Use in ir fifo mode	0x00
0x7c9	R/W	Use in ir fifo mode	0x00
0x7ca	R/W	Use in ir fifo mode	0x00

Address	R/W	Description	Default Value
0x7cb	R/W	Use in ir fifo mode	0x00
0x7cc	R/W	FIFO num int trigger level	0x00
0x7cd	R	[3:0]:FIFO DATA NUM(byte) [4]:FIFO EMPTY [5]:FIFO FULL	0x10
0x7ce	W1	[0]: write 1 to clear data in FIFO	0x00

## 8.2 Enable PWM

Register PWM\_EN (address 0x780)[5:1] and PWM\_EN0 (address 0x781)[0] serves to enable PWM5~PWM0 respectively via writing “1” for the corresponding bits.

## 8.3 Set PWM clock

PWM clock derives from system clock. Register PWM\_CLKDIV (address 0x782) serves to set the frequency dividing factor for PWM clock. Formula below applies:

$$F_{\text{PWM}} = F_{\text{System clock}} / (\text{PWM\_CLKDIV} + 1)$$

## 8.4 PWM waveform, polarity and output inversion

Each PWM channel has independent counter and 2 status including “Count” and “Remaining”. Count and Remaining status form a signal frame.

### 8.4.1 Waveform of signal frame

When PWM#n is enabled, first PWM#n enters Count status and outputs High level signal by default. When PWM#n counter reaches cycles set in register PWM\_TCMP#n (address 0x794~0x795, 0x798~0x799, 0x79c~0x79d, 0x7a0~0x7a1, 0x7a4~0x7a5, 0x7a8~0x7a9) / PWM\_TCMP0\_SHADOW (0x7c4~0x7c5), PWM#n enters Remaining status and outputs Low level till PWM#n cycle time configured in register PWM\_TMAX#n (address 0x796~0x797, 0x79a~0x79b, 0x79e~0x79f, 0x7a2~0x7a3, 0x7a6~0x7a7, 0x7aa~0x7ab) / PWM\_TMAX0\_SHADOW (0x7c6~0x7c7) expires.

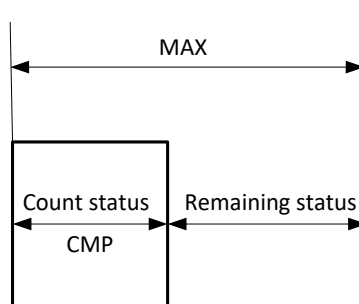


Figure 8- 1 A signal frame

An interruption will be generated at the end of each signal frame if enabled via register PWM\_MASK

(address 0x7b0[2:7]).

### 8.4.2 Invert PWM output

PWM#n and PWM#n\_N output could be inverted independently via register PWM\_CC0 (address 0x784) and PWM\_CC1 (address 0x785). When the inversion bit is enabled, waveform of the corresponding PWM channel will be inverted completely.

### 8.4.3 Polarity for signal frame

By default, PWM#n outputs High level at Count status and Low level at Remaining status. When the corresponding polarity bit is enabled via register PWM\_CC2 (address 0x786[5:0]), PWM#n will output Low level at Count status and High level at Remaining status.

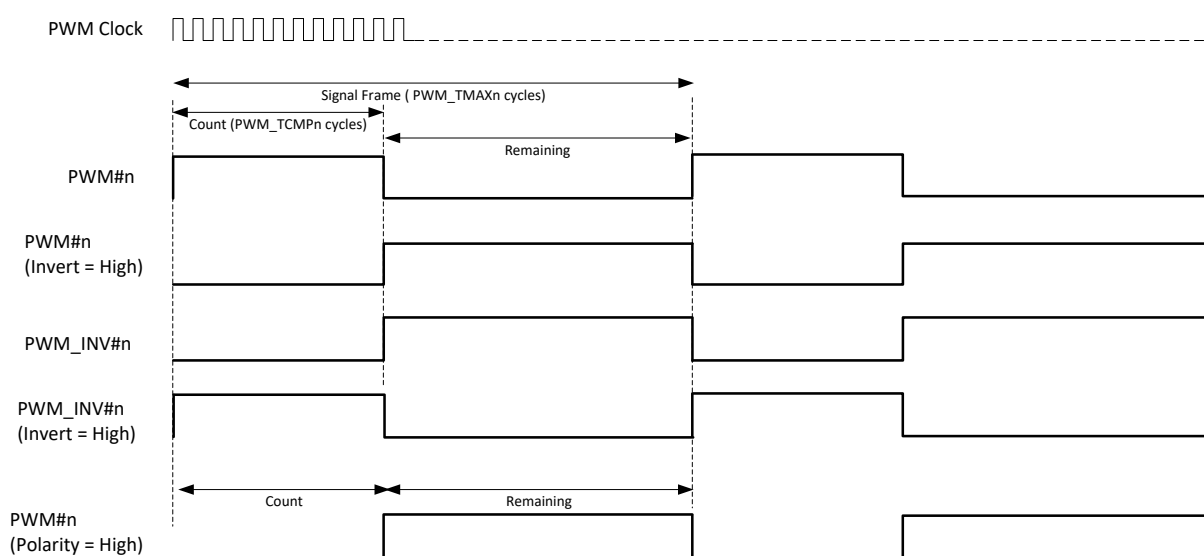


Figure 8-2 PWM output waveform chart

## 8.5 PWM mode

### 8.5.1 Select PWM mode

PWM0 supports five modes, including Continuous mode (normal mode, default), Counting mode, IR mode, IR FIFO mode, IR DMA FIFO mode.

PWM1~PWM5 only support Continuous mode.

Register PWM\_MODE (address 0x783) serves to select PWM0 mode.

### 8.5.2 Continuous mode

PWM0~PWM5 all support Continuous mode. In this mode, PWM#n continuously sends out signal frames. PWM#n should be disabled via address 0x780/0x781 to stop it; when stopped, the PWM output will turn low immediately.

During Continuous mode, waveform could be changed freely via PWM\_TCMpn and PWM\_TMAX#n. New configuration for PWM\_TCMpn and PWM\_TMAX#n will take effect in the next signal frame.

After each signal frame is finished, corresponding PWM cycle done interrupt flag bit (0x7b1[2:7]) will be automatically set to 1b'1. If the interrupt is enabled by setting PWM\_MASK0 (address 0x7b0[2:7]) as 1b'1, a frame interruption will be generated. User needs to write 1b'1 to the flag bit to manually clear it.

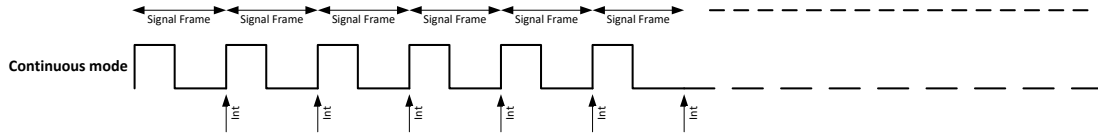


Figure 8-3 Continuous mode

### 8.5.3 Counting mode

Only PWM0 supports Counting mode. Address 0x783[3:0] should be set as 4b'0001 to select PWM0 counting mode.

In this mode, PWM0 sends out specified number of signal frames which is defined as a pulse group. The number is configured via register PWM\_PNUM0 (address 0x7ac~0x7ad).

After each signal frame is finished, PWM0 cycle done interrupt flag bit (0x7b1[2]) will be automatically set to 1b'1. If the interrupt is enabled by setting PWM\_MASK0 (address 0x7b0[2]) as 1b'1, a frame interruption will be generated. User needs to write 1b'1 to the flag bit to manually clear it.

After a pulse group is finished, PWM0 will be disabled automatically, and PWM0 pnum interrupt flag bit (0x7b1[0]) will be automatically set to 1b'1. If the interrupt is enabled by setting PWM\_MASK0 (address 0x7b0[0]) as 1b'1, a Pnum interruption will be generated. User needs to write 1b'1 to the flag bit to manually clear it.

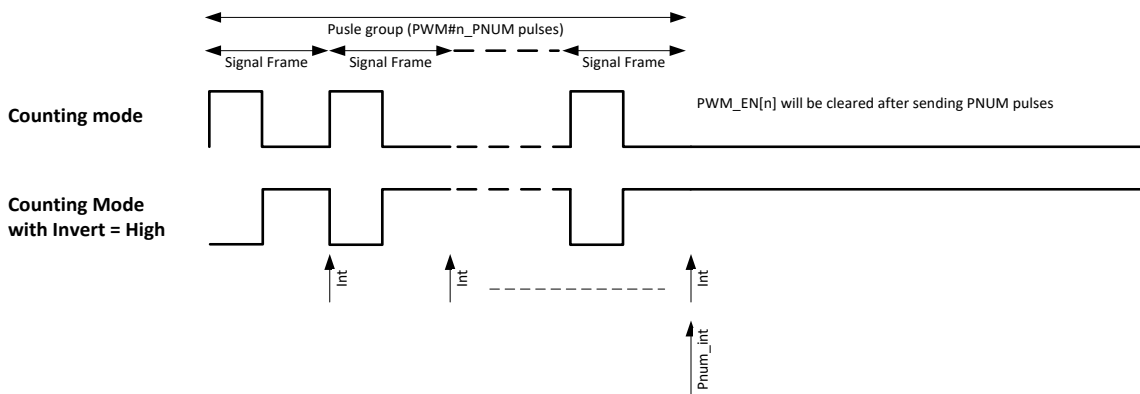


Figure 8-4 Counting mode (n=0)

Counting mode also serves to stop IR mode gracefully. Refer to **section 8.5.4** for details.

### 8.5.4 IR mode

Only PWM0 supports IR mode. Address 0x783[3:0] should be set as 4b'0011 to select PWM0 IR mode.

In this mode, specified number of frames is defined as one pulse group. In contrast to Counting mode where PWM0 stops after first pulse group is finished, PWM0 will constantly send pulse groups in IR mode.

During IR mode, PWM0 output waveform could also be changed freely via WM\_TCMPO, PWM\_TMAX0 and PWM\_PNUM0. New configuration for PWM\_TCMPO, PWM\_TMAX0 and PWM\_PNUM0 will take effect in the next pulse group.

To stop IR mode and complete current pulse group, user can switch PWM0 from IR mode to Counting mode so that PWM0 will stop after current pulse group is finished. If PWM0 is disabled directly via PWM\_EN0 (0x781[0]), PWM0 output will turn Low immediately despite of current pulse group.

After each signal frame/pulse group is finished, PWM0 cycle done interrupt flag bit (0x7b1[2])/PWM0 pnum interrupt flag bit (0x7b1[0]) will be automatically set to 1b'1. A frame interruption/Pnum interruption will be generated (if enabled by setting address 0x7b0[2]/0x7b0[0] as 1b'1).

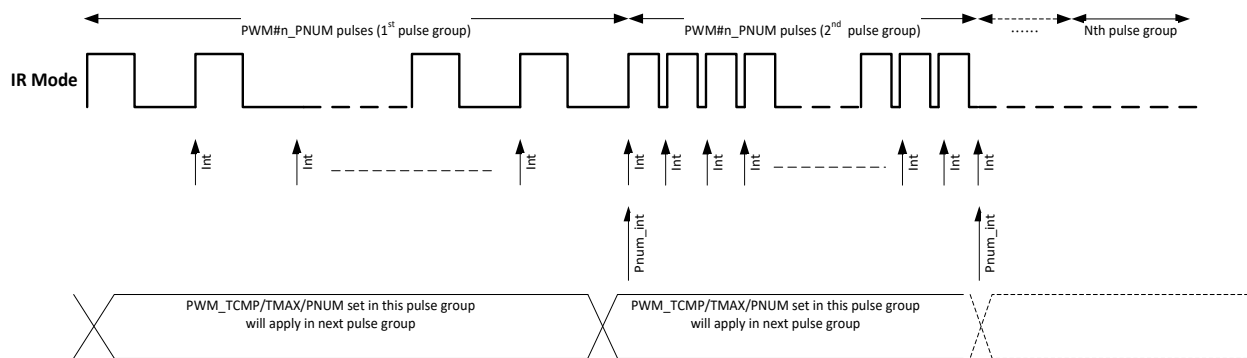


Figure 8- 5 IR mode (n=0)

### 8.5.5 IR FIFO mode

IR FIFO mode is designed to allow IR transmission of long code patterns without the continued intervention of MCU, and it is designed as a selectable working mode on PWM0. The IR carrier frequency is divided down from the system clock and can be configured as any normal IR frequencies, e.g. 36kHz, 38kHz, 40kHz, or 56kHz.

Only PWM0 supports IR FIFO mode. Address 0x783[3:0] should be set as 4b'0111 to select PWM0 IR FIFO mode.

An element ("FIFO CFG Data") is defined as basic unit of IR waveform, and written into FIFO. This element consists of 16 bits, including:

- ✧ bit[13:0] defines PWM pulse number of current group.
- ✧ bit[14] determines duty cycle and period for current PWM pulse group.

0: use configuration of TCMPO and TMAX0 in 0x794~0x797;

1: use configuration of TCMPO\_SHADOW and TMAX0\_SHADOW in 0x7c4~0x7c7.

- ✧ bit[15] determines whether current PWM pulse group is used as carrier, i.e. whether PWM will output pulse (1) or low level (0).

User should use FIFO\_DATA\_ENTRY in 0x7c8~0x7cb to write the 16-bit “FIFO CFG Data” into FIFO by byte or half word or word.

- ✧ To write by byte, user should successively write 0x7c8, 0x7c9, 0x7ca and 0x7cb.
- ✧ To write by half word, user should successively write 0x7c8 and 0x7ca.
- ✧ To write by word, user should write 0x7c8.

FIFO depth is 8 bytes. User can read the register FIFO\_SR in 0x7cd to view FIFO empty/full status and check FIFO data number.

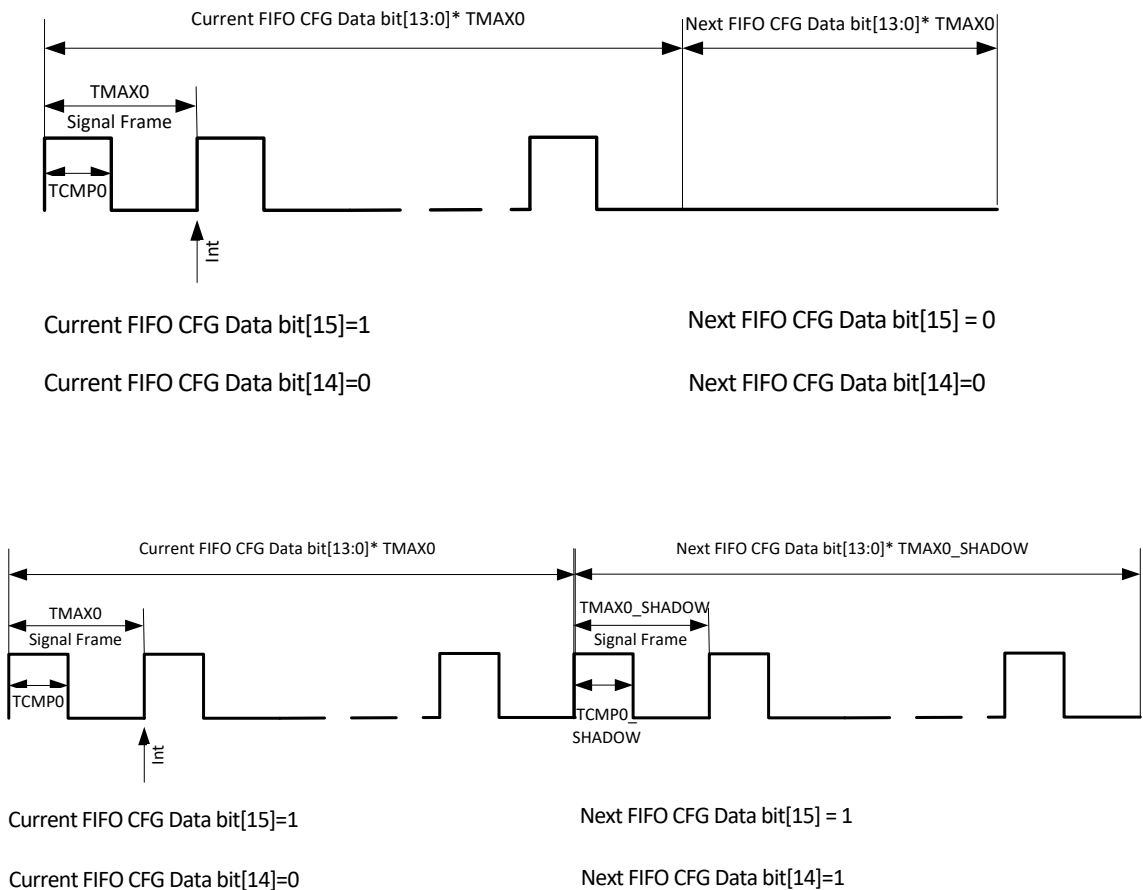


Figure 8- 6 IR format examples

When “FIFO CFG Data” is configured in FIFO and PWM0 is enabled via PWM\_EN0 (address 0x781[0]), the configured waveforms will be output from PWM0 in sequence. As long as FIFO doesn’t overflow, user can continue to add waveforms during IR waveforms sending process, and long IR code that exceeds the FIFO depth can be implemented this way. After all waveforms are sent, FIFO becomes empty, PWM0 will be disabled automatically.

The FIFO\_CLR register (address 0x7ce[0]) serves to clear data in FIFO. Writing 1b’1 to this register

will clear all data in the FIFO. Note that the FIFO can only be cleared when not in active transmission.

### 8.5.6 IR DMA FIFO mode

IR DMA FIFO mode is designed to allow IR transmission of long code patterns without occupation of MCU, and it is designed as a selectable working mode on PWM0. The IR carrier frequency is divided down from the system clock and can be configured as any normal IR frequencies, e.g. 36kHz, 38kHz, 40kHz, or 56kHz.

Only PWM0 supports IR DMA FIFO mode. Address 0x783[3:0] should be set as 4b'1111 to select PWM0 IR DMA FIFO mode.

This mode is similar to IR FIFO mode, except that "FIFO CFG Data" is written into FIFO by DMA instead of MCU. User should write the configuration of "FIFO CFG Data" into RAM, and then enable DMA channel 5. DMA will automatically write the configuration into FIFO.

**\*Note:** In this mode, when DMA channel 5 is enabled, PWM will automatically output configured waveform, without the need to manually enable PWM0 via 0x781[0] (i.e. 0x781[0] will be set as 1b'1 automatically).

#### Example 1:

**Suppose** Mark carrier (pulse) frequency1(F1) = 40kHz, duty cycle 1/3

Mark carrier (pulse) frequency2(F2) = 50kHz, duty cycle 1/2

Space carrier (low level) frequency(F3) = 40kHz

If user wants to make PWM send waveforms in following format (PWM CLK =24MHz):

Burst(20[F1]), i.e. 20 F1 pulses

Burst(30[F2]),

Burst(50[F1]) ,

Burst(50[F2]),

Burst(20[F1],10[F3]),

Burst(30[F2],10[F3])

**Step1:** Set carrier F1 frequency as 40kHz, set duty cycle as 1/3.

Set **PWM\_TMAX0** as 0x258 (i.e. 24MHz/40kHz=600=0x258).

Since duty cycle is 1/3, set **PWM\_TCMPO** as 0xc8 (i.e. 600/3=200=0xc8).

Set carrier F2 frequency as 50kHz, set duty cycle as 1/2.

Set **PWM\_TMAX0\_SHADOW** as 0x1e0 (i.e. 24MHz/50kHz=480=0x1e0).

Since duty cycle is 1/2, set **PWM\_TCMPO\_SHADOW** as 0xf0 (i.e. 480/2=240=0xf0).

**Step2:** Generate "FIFO CFG Data" sequence.



**Step1:** Set carrier frequency as 38kHz, set duty cycle as 1/3.

Set **PWM\_TMAXO** as 0x277 (i.e.  $24\text{MHz}/38\text{kHz}=631=0x277$ ).

Since duty cycle is 1/3, set **PWM\_TCMPO** as 0xd2 (i.e.  $631/3=210=0xd2$ ).

**Step2:** Generate “FIFO CFG Data” sequence.

**Preamble waveform:**

9ms carrier: {[15]:1'b1, [14]:1'b0, [13:0]: 9\*38='d 342=14'h 156}=0x8156

4.5ms low level: {[15]:1'b0, [14]:1'b0, [13:0]: 4.5\*38='d 171=14'h ab}=0x00ab

**Data 1 waveform:**

0.56ms carrier: {[15]:1'b1, [14]:1'b0, [13:0]: 0.56\*38='d 21=14'h 15}=0x8015

0.56ms low level: {[15]:1'b0, [14]:1'b0, [13:0]: 0.56\*38='d 21=14'h 15}=0x0015

**Data 0 waveform:**

0.56ms carrier: {[15]:1'b1, [14]:1'b0, [13:0]: 0.56\*38='d 21=14'h 15}=0x8015

1.69ms low level: {[15]:1'b0, [14]:1'b0, [13:0]: 1.69\*38='d 64=14'h 40}=0x0040

**Repeat waveform:**

9ms carrier: {[15]:1'b1, [14]:1'b0, [13:0]: 9\*38='d 342=14'h 156}=0x8156

2.25ms low level: {[15]:1'b0, [14]:1'b0, [13:0]: 2.25\*38='d 86=14'h 56}=0x0056

0.56ms carrier: {[15]:1'b1, [14]:1'b0, [13:0]: 0.56\*38='d 21=14'h 15}=0x8015

108ms -11.81ms =96.19ms low level:

{[15]:1'b0, [14]:1'b0, [13:0]: 96.19\*38='d 3655=14'h e47}=0x0e47

**End waveform:**

0.56ms carrier: {[15]:1'b1, [14]:1'b0, [13:0]: 0.56\*38='d 21=14'h 15}=0x8015

**Step3:** Write “IR CFG Data” into SRAM in DMA format.

If user want PWM0 to send IR waveform in following format:

Preamble+0x5a+Repeat+End

Preamble: 0x8156, 0x00ab

0x5a=8'b01011010

Data 0: 0x8015, 0x0040

Data 1: 0x8015, 0x0015

Data 0: 0x8015, 0x0040

Data 1: 0x8015, 0x0015

Data 1: 0x8015, 0x0015

Data 0: 0x8015, 0x0040

Data 1: 0x8015, 0x0015

Data 0: 0x8015, 0x0040

Repeat: 0x8156, 0x0056, 0x8015, 0x0e47

End: 0x8015.

User needs to write the configuration information above into source address of DMA channel 5, as shown below:

DMA SOURCE ADDRESS+0x00: 0x0000\_002e (dma transfer-length: 46byte)

DMA SOURCE ADDRESS+0x04: 0x00ab\_8156 (Preamble) (LITTLE ENDIAN)

DMA SOURCE ADDRESS+0x08: 0x0040\_8015 (Data 0)

DMA SOURCE ADDRESS+0x0c: 0x0015\_8015 (Data 1)

DMA SOURCE ADDRESS+0x10: 0x0040\_8015 (Data 0)

DMA SOURCE ADDRESS+0x14: 0x0015\_8015 (Data 1)

DMA SOURCE ADDRESS+0x18: 0x0015\_8015 (Data 1)

DMA SOURCE ADDRESS+0x1c: 0x0040\_8015 (Data 0)

DMA SOURCE ADDRESS+0x20: 0x0015\_8015 (Data 1)

DMA SOURCE ADDRESS+0x24: 0x0040\_8015 (Data 0)

DMA SOURCE ADDRESS+0x28: 0x0056\_8156 (Repeat)

DMA SOURCE ADDRESS+0x2c: 0x0e47\_8015 (Repeat)

DMA SOURCE ADDRESS+0x30: 0x8015 (End)

**Step4:** Enable DMA channel 5 to send PWM waveforms.

Write 1'b1 to address 0x524[5] to enable DMA channel 5.

After all waveforms are sent, FIFO becomes empty, PWM0 will be disabled automatically (address 0x781[0] is automatically cleared). The FIFO mode stop interrupt flag bit (address 0x7b3[0]) will be automatically set as 1b'1. If the interrupt is enabled by setting PWM\_MASK1 (address 0x7b2[0]) as 1b'1, a FIFO mode stop interrupt will be generated. User needs to write 1b'1 to the flag bit to manually clear it.

## 8.6 PWM interrupt

There are 9 interrupt sources from PWM function.

After each signal frame, PWM#n (n=0~5) will generate a frame-done IRQ (Interrupt Request) signal.

In Counting mode and IR mode, PWM0 will generate a Pnum IRQ signal after completing a pulse group.

In IR FIFO mode, PWM0 will generate a FIFO mode count IRQ signal when the FIFO\_NUM value is less than the FIFO\_NUM\_LVL, and will generate a FIFO mode stop IRQ signal after FIFO becomes empty.

In IR DMA FIFO mode, PWM0 will generate an IR waveform send done IRQ signal, after DMA has sent all configuration data, FIFO becomes empty and final waveform is sent.

To enable PWM interrupt, the total enabling bit “irq\_pwm” (address 0x641[6], see **section 6 Interrupt**) should be set as 1b'1. To enable various PWM interrupt sources, PWM\_MASK0 (address 0x7b0[7:0]) and PWM\_MASK1 (address 0x7b2[0]) should be set as 1b'1 correspondingly.

Interrupt status can be cleared via register PWM\_INT0 (address 0x7b1[7:0]) and PWM\_INT1 (address 0x7b3[0]).

## 9 Audio

### 9.1 Audio input path

There are four types of audio input path: digital microphone (DMIC), Codec (I2S), USB and analog input channel (AMIC), which is selectable by writing address 0xb11[3:2].

Address 0xb11[4] should be set as 1b'1/1b'0 to select mono/stereo input for audio input processing module.

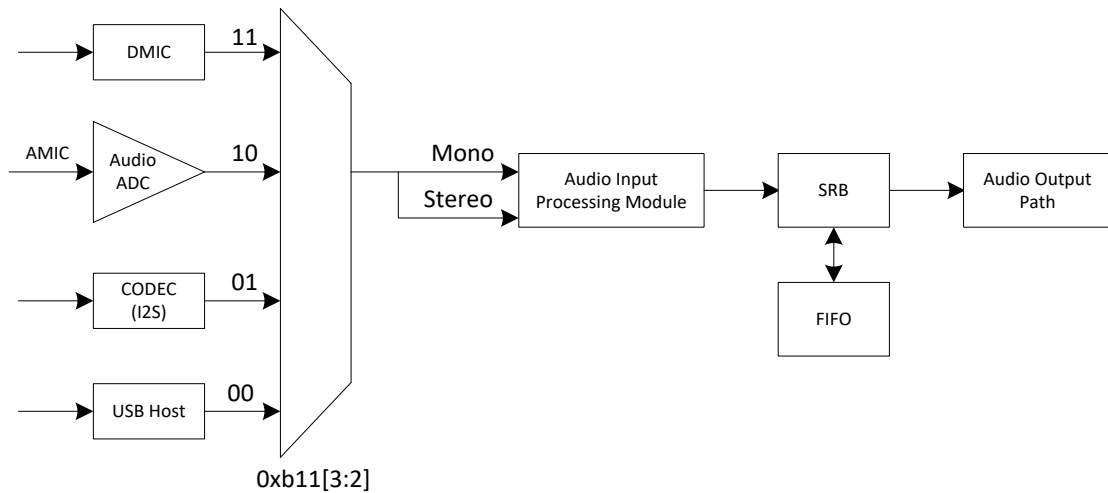


Figure 9- 1 Audio input path

Table 9- 1 Audio data flow direction

Data Path		Target SRAM		
		FIFO0	FIFO1	FIFO2
DMIC	Decimation filter /LPF/Down Sample/ HPF/ALC	√	√	×
I2S		√	√	×
USB		√	√	×
ANALOG CH0		√	√	×
ANALOG CH1		√	√	×
ANALOG CH2		×	×	√

#### 9.1.1 AMIC input

Address 0xb11[3:2] should be set as 2b'10 to select AMIC as audio input.

A programmable stereo PGA (Programmable Gain Amplifier) with adjustable gain is built in for AMIC. AMIC input channel can carry out signal amplification via the PGA.

After implementing AD conversion for selected AMIC input signal, data of 3 analog channels (CH0~CH2) will be generated. Data of CH0/CH1 are sent to the audio input processing module, while data of CH2 are directly written into FIFO.

### 9.1.2 DMIC input

Stereo digital microphone (DMIC) interface is also supported in the TLSR8251. Address 0xb11[3:2] should be set as 2b'11 to select DMIC as audio input.

DMIC interface includes one configurable clock line and one data line. Address 0xb11[1:0] serves to set the rising/falling edge of clock signal at which to sample data of DMIC, and it should not be set as 2b'11. Address 0xb11[7:6] serves to enable/mask the DMIC channel which samples data at rising/falling edge. Generally, address 0xb11 bit[0] is set as 1b'0 and bit[7:6] is set as 2b'01 to enable DMIC0 sampling at rising edge of clock.

After data sampling of DMIC interface, sign extension and audio input processing, the signal can be written into FIFO.

### 9.1.3 I2S input

Address 0xb11[3:2] should be set as 2b'01 to select I2S as audio input.

Digital I2S audio interface supports Master mode only, 16-bit data width, and variable sampling rate: 8K/16K/22.05K/24K/32K/44.1K/48K. The sampling rate is determined by I2S clock.

For I2S clock configuration, please refer to section **4.3.3 I2S clock**.

Address 0x560[5]/[4]/[1] should be set to "1" to enable I2S interface, I2S Recorder and I2S Player, respectively. I2S interface includes one configurable clock line, one data line and one channel selection line. Data generated by the audio codec will be written into FIFO after implementing conversion via I2S Recorder and audio input processing.

### 9.1.4 USB Host input

Address 0xb11[3:2] should be set as 2b'00 to select USB as audio input.

Packet transmitted by USB Host will be written into FIFO after implementing conversion via USB Interface and audio input processing.

Address 0x560[3] should be set to 1b'1 to enable ISO player.

### 9.1.5 DFIFO

As shown in Table 9-1, for any type of audio input path, the data will be finally written into DFIFO (DMA FIFO) 0, 1 or 2.

Address 0xb10[0]/[1]/[2] should be set as 1b'1 to enable audio input of DFIFO 0~2.

DFIFO supports auto mode and manual mode. It's highly recommended to clear address 0xb2c[0] to select auto mode.

Take DFIFO0 as an example:

- ✧ Address 0xb00, 0xb01 and 0xb03 serve to set base address for DFIFO0, i.e. starting address to write/read data into/from DFIFO0.
- ✧ Address 0xb02 serves to set depth (i.e. the maximum data number) for DFIFO0. Suppose address 0xb02 is set as 0x01, then the DFIFO0 depth is 4 words, i.e. 16 bytes.

- ✧ Current data number (difference value of write-pointer and read-pointer) in DFIFO0 can be read from address 0xb20 and 0xb21.
- ✧ User can check current DFIFO0 read pointer/write pointer location by reading address 0xb14~0xb15/0xb16~0xb17.
- ✧ When current data number in DFIFO0 is less than the underflow threshold set in address 0xb0c, address 0xb13 bit[0] and bit[4] will be set as 1b'1 successively, and a FIFO0 low interrupt will be generated if enabled via 0xb10[4].  
Address 0xb13[4] will be automatically cleared when the data number in DFIFO0 is no less than the threshold; address 0xb13[0] needs to be cleared manually.
- ✧ When current data number in DFIFO0 is more than the overflow threshold set in address 0xb0d, address 0xb13 bit[1] and bit[5] will be set as 1b'1 successively, and a FIFO0 high interrupt will be generated if enabled via 0xb10[5].  
Address 0xb13[5] will be automatically cleared when the data number in DFIFO0 is no more than the threshold; address 0xb13[1] needs to be cleared manually.
- ✧ When current data number in DFIFO1 is more than the overflow threshold set in address 0xb0e, address 0xb13 bit[2] and bit[6] will be set as 1b'1 successively, and a FIFO0 high interrupt will be generated if enabled via 0xb10[6].  
Address 0xb13[6] will be automatically cleared when the data number in DFIFO0 is no more than the threshold; address 0xb13[2] needs to be cleared manually.
- ✧ When current data number in DFIFO2 is more than the overflow threshold set in address 0xb0f, address 0xb13 bit[3] and bit[7] will be set as 1b'1 successively, and a FIFO0 high interrupt will be generated if enabled via 0xb10[7].  
Address 0xb13[7] will be automatically cleared when the data number in DFIFO0 is no more than the threshold; address 0xb13[3] needs to be cleared manually.

## 9.2 Audio input processing

Audio input processing mainly includes configurable decimation filter, LPF (Low Pass Filter), Down-sample module, HPF (High Pass Filter) and ALC (Automatic Level Control). The decimation filter, LPF, Down-sample module, HPF and ALC can be enabled or bypassed via address 0xb11[5] and 0xb40 [6]/[7]/[4]/[5].

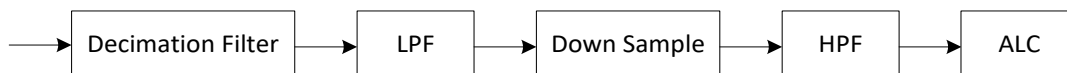


Figure 9- 2 Audio input processing

### 9.2.1 Decimation filter

Address 0xb11[5] should be cleared to enable decimation filter.

The decimation filter serves to down-sample the mono or stereo input (e.g. DMIC) data to required audio data playback rate (e.g. 48K or 32K).

Down-sampling rate is configurable as 1~8, 16, 32, 64, 128 or 256 by writing address 0xb12[3:0].

Address 0xb12[7:4] serves to adjust decimation filter output by right shift, so that the data after down-sampling won't exceed data bit width.

### 9.2.2 LPF

Address 0xb40[6] should be cleared to enable the LPF. The LPF serves to conduct frequency compensation.

### 9.2.3 Down-sample

If the Down-sample module is enabled by setting address 0xb40[7] to 1b'1, it will down-sample the data from LPF with fixed ratio of 2.

### 9.2.4 HPF

Address 0xb40[4] should be cleared to enable the HPF.

The HPF serves to eliminate internal DC offset to ensure audio amplification range.

The HPF output is adjustable via setting the parameter in address 0xb40[3:0].

### 9.2.5 ALC

The ALC supports analog mode and digital mode, and it mainly serves to regulate input volume level automatically or manually in each mode.

The analog mode is designed only for AMIC input, while the digital mode applies to all audio input types.

In analog mode, input volume level is regulated via PGA; while in digital mode, input volume level is regulated via Multiplier/Divider.

#### 9.2.5.1 Auto regulate in analog mode

In this case, address 0xb54[0] should be set as 1b'1, and 0xb41[7]/0xb42[7] should be set as 1b'1 to enable auto regulation mode for left/right channel.

The result of (AMIC input \* current PGA gain) is compared with high volume target (ALC\_VOL\_THH) and low volume target (ALC\_VOL\_THL); meanwhile, it will be compared with volume noise level (ALC\_VOL\_THN) to judge noise signal and help to regulate the PGA gain. The PGA gain will be automatically adjusted according to the comparison results, and it should be within the range from minimum PGA gain (ALC\_VOL\_L/ALC\_VOL\_R) to maximum PGA gain (ALC\_VOL\_H).

- ✧ Address 0xb44[6:1] serve to set integer part of high volume target in unit of dB; while address 0xb44[0] serve to set fractional part of high volume target in unit of dB.
- ✧ Address 0xb46[6:1] serve to set integer part of low volume target in unit of dB; while address 0xb46[0] serve to set fractional part of low volume target in unit of dB.
- ✧ Address 0xb48[6:1] serve to set integer part of volume noise level in unit of dB; while address 0xb48[0] serve to set fractional part of volume noise level in unit of dB.
- ✧ Address 0xb43[6:0] (ALC\_VOL\_H) serves to set the maximum PGA gain, while 0xb41[6:0]/0xb42[6:0] (ALC\_VOL\_L/ALC\_VOL\_R) serves to set the minimum PGA gain in left/right channel.
- ✧ User can check current PGA gain in left/right channel by reading address 0xb5e/0xb5f.

### 9.2.5.2 Manual regulate in analog mode

In this case, PGA gain can be adjusted by either of the following two manual modes.

- ✧ Manual mode 1: Address 0xb63[7] should be set as 1b'1 to select manual mode 1. In this mode, the PGA consists of two stages of amplifiers including pre-amplifier and post-amplifier, and each stage has configurable gain. Address 0xb63[6] serves to set gain for the pre-amplifier (Boost-stage) as 18dB (1b'0, default) or 38dB (1b'1); while address 0xb63[5:0] serves to set gain for the post-amplifier (Gain-stage) as -10dB (0x0, default) ~ 14dB (0x30) with step of 0.5dB.
- ✧ Manual mode 2: Address 0xb63[7] and 0xb54[0] should be cleared to select manual mode 2. In this mode, address 0xb61[6:0]/0xb65[6:0] serves to set target gain value for left/right channel, while 0xb60 serves to set the speed for PGA gain to reach the target gain value. Current PGA gain can be read from address 0xb62[6:0]/0xb66[6:0] which changes until the target gain value is reached. When PGA gain reaches the target value, address 0xb61[7]/0xb65[7] will be set as 1b'1.

### 9.2.5.3 Auto regulate in digital mode

In this case, address 0xb54[0] should be set as 1b'0, and 0xb41[7]/0xb42[7] should be set as 1b'1 to enable auto regulation mode for left/right channel.

The result of (Audio input \* current digital gain) is compared with high volume target (ALC\_VOL\_THH), low volume target (ALC\_VOL\_THL); meanwhile, it will be compared with volume noise level (ALC\_VOL\_THN) to judge noise signal and help to regulate the digital gain. The digital gain will be automatically adjusted according to the comparison results, and it should be within the range from minimum digital gain (ALC\_VOL\_L/ALC\_VOL\_R) to maximum digital gain (ALC\_VOL\_H).

- ✧ Address 0xb44[6:1] serve to set integer part of high volume target in unit of dB; while address 0xb44[0] serve to set fractional part of high volume target in unit of dB.
- ✧ Address 0xb46[6:1] serve to set integer part of low volume target in unit of dB; while address 0xb46[0] serve to set fractional part of low volume target in unit of dB.
- ✧ Address 0xb48[6:1] serve to set integer part of volume noise level in unit of dB; while address 0xb48[0] serve to set fractional part of volume noise level in unit of dB.

- ✧ Address 0xb43[6:0] (ALC\_VOL\_H) serves to set the maximum digital gain, while 0xb41[6:0]/0xb42[6:0] (ALC\_VOL\_L/ALC\_VOL\_R) serves to set the minimum digital gain in left/right channel.

User can check current digital gain in left/right channel by reading address 0xb4d/0xb4e.

#### 9.2.5.4 Manual regulate in digital mode

In this case, address 0xb54[0] should be set as 1b'0, and 0xb41[7]/0xb42[7] should be set as 1b'0 to enable manual regulation mode for left/right channel.

The coefficient of multiplier/divider is configurable via the register ALC\_VOL\_L (address 0xb41[5:0]) / ALC\_VOL\_R (address 0xb42[5:0]) for left/right channel.

In manual mode (either analog mode or digital mode), the volume of the signal sent to the ALC module can be read via the address 0xb4d/0xb4e for left/right channel.

#### 9.2.6 Register configuration

Table 9- 2 Register configuration related to audio input processing

Address	R/W	Description	Default value
0x67	RW	[7] I2S clock enable [6:0] i2s step	0x00
0x68	RW	I2s mod I2S clock = 48M*I2S_step[6:0]/I2S_mod[7:0], Mod should be larger than or equal to 2*step.	0x02
0xb00	RW	FIFO0 base address [7:0]	0x00
0xb01	RW	FIFO0 base address [15:8]	0x40
0xb02	RW	FIFO depth=FIFO0_DEPTH*4words	0x7f
0xb03	RW	FIFO0 base address [18:16]	0x04
0xb04	RW	FIFO1 base address [7:0]	0x00
0xb05	RW	FIFO1 base address [15:8]	0x48
0xb06	RW	FIFO depth=FIFO1_DEPTH*4words	0x7f
0xb07	RW	FIFO1 base address [18:16]	0x04
0xb08	RW	FIFO2 base address [7:0]	0x00
0xb09	RW	FIFO2 base address [15:8]	0x3c
0xb0a	RW	FIFO depth=FIFO2_DEPTH*4words	0x3f
0xb0b	RW	FIFO2 base address [18:16]	0x04
0xb0c	RW	FIFO0 low level	0x20
0xb0d	RW	FIFO0 high level	0x60
0xb0e	RW	FIFO1 high level	0x20
0xb0f	RW	FIFO2 high level	0x20
0xb10	RW	DFIFO enable [0]: enable audio input of FIFO0 [1]: enable audio input of FIFO1 [2]: enable audio input of FIFO2	0xF9

Address	R/W	Description	Default value
		[3]: enable audio output of FIFO0 [4]: FIFO0 low interrupt enable [5]: FIFO0 high interrupt enable [6]: FIFO1 high interrupt enable [7]: FIFO2 high interrupt enable	
0xb11	RW	[0]: 0: D-MIC0 uses data at rising edge of clock 1: at falling edge [1]: 0: D-MIC1 uses data at rising edge of clock 1: at falling edge [3:2]: audio input select 0: USB; 1: I2S; 2: ADC; 3: D-MIC [4]: mono (1)/stereo (0) input [5]: enable (0) or bypass (1) decimation filter input [6]:dmic_raise_chn_not_en [7]:dmic_fall_chn_not_en (generally disabled)	0x21
0xb12	RW	[3:0]: CIC down convert ratio 0~7: [3:0] + 1 8: 16; 9: 32; 10: 64; 11: 128; else: 256 [7:4]: CIC shift select (0 ~ 7)	0x5b
0xb13	R	[0]: FIFO0 low interrupt flag. Write 1 to clear. [1]: FIFO0 high interrupt flag. Write 1 to clear. [2]: FIFO1 high interrupt flag. Write 1 to clear. [3]: FIFO2 high interrupt flag. Write 1 to clear. [4]: FIFO0 low. [5]: FIFO0 high. [6]: FIFO1 high. [7]: FIFO2 high.	0x00
0xb14	RO	FIFO READ PTR low byte	0x00
0xb15	RO	[3:0]:FIFO READ PTR high byte	0x00
0xb16	RO	FIFO WRITE PTR low byte	0x00
0xb17	RO	[3:0]:FIFO WRITE PTR high byte	0x00
0xb18	RO	FIFO READ PTR low byte	0x00
0xb19	RO	[3:0]:FIFO READ PTR high byte	0x00
0xb1a	RO	FIFO WRITE PTR low byte	0x00
0xb1b	RO	[3:0]:FIFO WRITE PTR high byte	0x00
0xb1c	RO	FIFO READ PTR low byte	0x00
0xb1d	RO	[3:0]:FIFO READ PTR high byte	0x00
0xb1e	RO	FIFO WRITE PTR low byte	0x00
0xb1f	RO	[3:0]:FIFO WRITE PTR high byte	0x00
0xb20	RO	FIFO DATA NUMBER low byte	0x00
0xb21	RO	FIFO DATA NUMBER high byte	0x00
0xb22	-	Reserved	-

Address	R/W	Description	Default value
0xb23	-	Reserved	-
0xb24	RO	FIFO DATA NUMBER low byte	0x00
0xb25	RO	FIFO DATA NUMBER high byte	0x00
0xb26	-	Reserved	-
0xb27	-	Reserved	-
0xb28	RO	FIFO DATA NUMBER low byte	0x00
0xb29	RO	FIFO DATA NUMBER high byte	0x00
0xb2a	-	Reserved	-
0xb2b	-	Reserved	-
0xb2c	RW	[0]: 0: fifo auto mode 1: enable fifo manual mode	0x00
0xb2d	-	Reserved	-
0xb2e	-	Reserved	-
0xb2f	-	Reserved	-
0xb30	W	Fifo manual mode data in[7:0]	0x00
0xb31	W	Fifo manual mode data in[15:8]	0x00
0xb32	W	Fifo manual mode data in[23:16]	0x00
0xb33	W	Fifo manual mode data in[31:24]	0x00
0xb34	-	Reserved	-
0xb35	RW	[0]: adc lnr valid select [1]: adc 64/63 option [2]: adc_bsign [3]: bypass adc trim [4]: audio input (USB/AMIC/DMIC/I2S) left/right channel swap	0x09
0xb36	RW	Adc cal mul	0x00
0xb37	RW	Adc cal bias	0x00
0xb38-0xb3f	-	Reserved	-
0xb40	RW	[3:0]: Parameter to adjust HPF output. [4]: bypass HPF 1: bypass HPF, 0: use HPF [5]: bypass ALC 1: bypass ALC, 0: use ALC [6]: bypass LPF 1: bypass LPF, 0: use LPF [7]: enable double down sample 1: enable, 0: disable	0xfb
0xb41	RW	ALC left channel setting [5:0]: digital gain in manual mode [6:0]: minimum gain limit in auto mode [7]: select auto or manual mode 1: auto mode, 0: manual mode	0x20
0xb42	RW	ALC right channel setting [5:0]: digital gain in manual mode [6:0]: minimum gain limit in auto mode	0x20

Address	R/W	Description	Default value
		[7]: select auto or manual mode 1: auto mode, 0: manual mode	
0xb43	RW	[6:0]:maximum pga gain limit in auto mode	0x33
0xb44	RW	[0]: high volume target db fra in auto mode [6:1]:high volume target db int[5:0] in auto mode	0x60
0xb45	-	Reserved	-
0xb46	RW	[0]: low volume target db fra in auto mode [6:1]: low volume target db int[5:0] in auto mode	0x40
0xb47	-	Reserved	-
0xb48	RW	[0]: volume noise level db fra in auto mode [6:1]:volume noise level db int[5:0] in auto mode	0x02
0xb49~0xb4c	-	Reserved	-
0xb4d	R	L channel: Current gain in auto mode volume in manual mode	-
0xb4e	R	R channel: Current gain in auto mode volume in manual mode	-
0xb4f	-	Reserved	-
0xb50	RW	[7:0]:low byte of tick	0x00
0xb51	RW	[7:0]:high byte of tick	0x02
0xb52~0xb53	-	Reserved	-
0xb54	RW	[0]: analog mode en [1]: vad iir en [2]: ana_iir_en [3]: iir tick clear en [4]: vad max en	0x0a
0xb55	RW	lir coef	0xfa
0xb56	RW	[3:0]:In auto mode when gain changes, configure number of data be masked	0x00
0xb57	RW	In auto mode, pga gain increase speed	0x0a
0xb58	RW	[6:0]:In auto mode, pga gain increase max in a peak tick cycle	0x03
0xb59	RW	In auto mode, pga gain decrease speed	0x08
0xb5a	RW	[6:0]:In auto mode, pga gain decrease max in a peak tick cycle	0x06
0xb5b	RW	In auto mode, pga gain decrease speed when as noise	0x06
0xb5c	RW	[6:0]:In auto mode, pga gain decrease max in a peak tick cycle when as noise	0x06
0xb5d~x0b5c	-	Reserved	-
0xb5e	R	Current pga gain in auto analog mode	-
0xb5f	R	Current pga gain in auto analog mode	-

Address	R/W	Description	Default value
0xb60	RW	Pga manual mode judge speed	0x40
0xb61	RW	Left channel [6:0]: pga manual mode target [7]: pga judge done	-
0xb62	R	Left channel [6:0]: PGA value in manual mode [7]: Mute status (R). Enable (0)/Mute (1) PGA output (W).	-
0xb63	RW	[6:0]: Pga gain fix value [7]: pga gain fix enable	0x80
0xb64	RW	[0]: change PGA L R CHANNEL	0x00
0xb65	RW	Right channel [6:0]: pga manual mode target [7]: pga judge done	-
0xb66	R	Right channel [6:0]: PGA value in manual mode [7]: Mute status (R). Enable (0)/Mute (1) PGA output (W).	-

### 9.3 Audio output path

Audio output path mainly includes Rate Matching module, SDMDAC (Sigma-Delta Modulation DAC) and I2S Player. The audio data fetched from SRAM is processed by the Rate Matching module, then transferred to the SDM/I2S Player as the input signal.

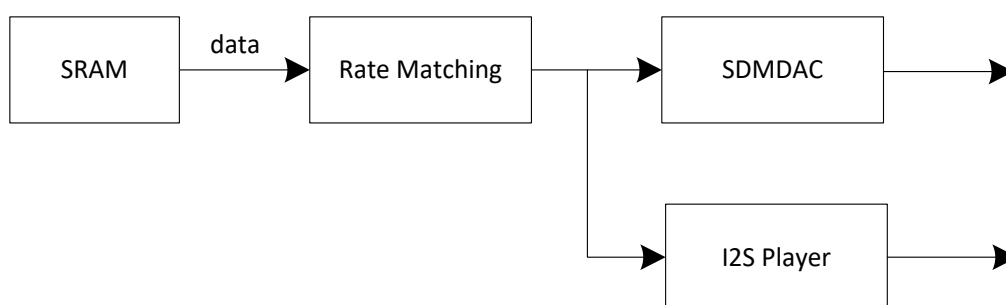


Figure 9- 3 Audio output path

#### 9.3.1 Rate Matching

The rate matching block performs clock rate conversion and data synchronization between two domains: the input audio data is fetched from SRAM which works in system clock domain with 24Mhz/32Mhz/48Mhz clocks and the SDM/I2S which works between 4Mhz and 8Mhz.

When needed, the audio data from SRAM is interpolated to the SDM/I2S input rate. If the audio sampling rate is  $ClkUsbIn$  (e.g. 48kHz), and the working clock of SDM/I2S is  $aclk_i$ , then the interpolation ratio is given as follows:

$$\frac{ClkUsbIn}{aclk_i} = \frac{step_i}{0x80000}$$

Where  $step_i[19:0]$  is configured in addresses 0x567~0x565.

Linear interpolation or delay interpolation is used as shown below.

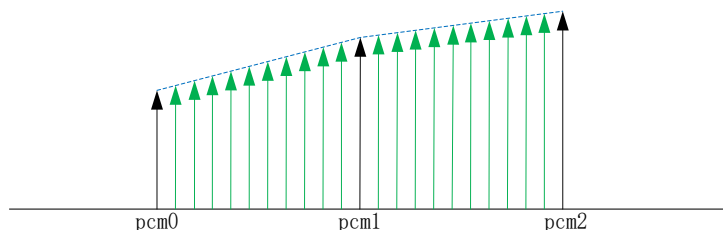


Figure 9- 4 Linear interpolation

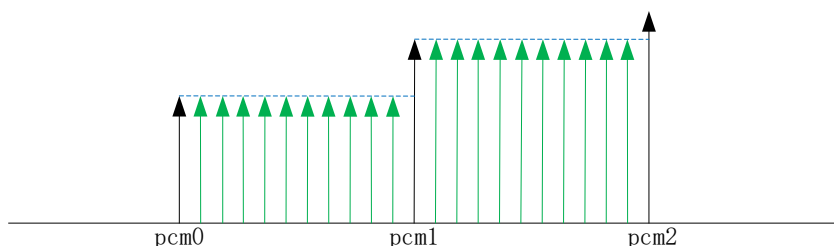


Figure 9- 5 Delay interpolation

### 9.3.2 SDM

The SDM takes 16bits audio data from SRAM and provides 1bit modulated output. Only a simple passive filter network is needed to drive audio device directly.

Dither control can be added to the SDM to avoid spurs in output data. There are three dithering options: PN sequence, PN sequence with Shapping, and DC constant; only one type of input is allowed any time.

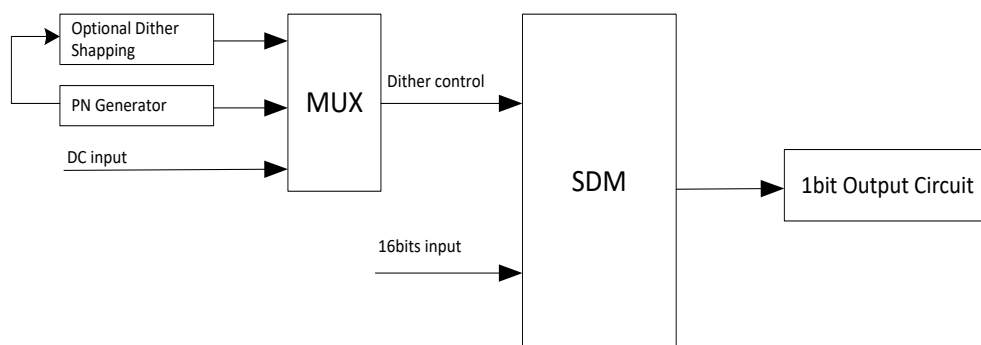


Figure 9- 6 Block diagram of SDM

### 9.3.3 Register configuration

Address 0x560[4:1] should be set to “1” to enable I2S recorder/ISO player/SDM player/I2S player, while bit[0] is to select either mono or stereo audio output. Address 0x560[7] should be set to “1” to enable the HPF in audio output path.

Register VOL\_CTRL (address 0x562) serves to adjust volume level.

Address 0x563[2] serves to select either linear interpolation or delay interpolation for the rate matching block: Setting bit[2] to “1” is to select linear interpolation, while clearing the bit is to select delay interpolation.

Input for SDM Dither control is selectable via addresses 0x56b[6:5], 0x563[6:5] and 0x568~0x569.

For the **left channel**:

1. Address 0x56b[5] should be set to 1b'1 to select constant DC input. When DC input is used, addresses 0x56c~0x56d serve to configure the input constant value.
2. Address 0x56b[5] should be set to 1b'0 to use PN generator. Address 0x563[5] serves to enable/mask dither shapping module. There are two PN generators to generate random dithering sequence; address 0x568 bit[6]/bit[5] is enabling bit of the two PN generators.
  - 1) To select PN sequence as input, address 0x56b[5] and 0x563[5] should be set to 0, 0x568[6]/[5]/[6:5] should be set to 1.
  - 2) To select PN sequence with Shapping as input, address 0x56b[5] should be set to 0, 0x563[5] and 0x568[6]/[5]/[6:5] should be set to 1.

When PN sequence or PN with Shapping is used, address 0x568[4:0]/0x569[4:0] determines the number of bits (ranging from 0 to 16) used in PN1/PN2 generator.

For the **right channel**:

1. Address 0x56b[6] should be set to 1b'1 to select constant DC input. When DC input is enabled, addresses 0x56e~0x56f serve to configure the input constant value.
2. Address 0x56b[6] should be set to 1b'0 to use PN generator. Address 0x563[6] serves to enable/mask dither shapping module. There are two PN generators to generate random dithering sequence; address 0x569 bit[6]/bit[5] is enabling bit of the two PN generators.
  - 1) To select PN sequence as input, address 0x56b[6] and 0x563[6] should be set to 0, 0x569[6]/[5]/[6:5] should be set to 1.
  - 2) To select PN sequence with Shapping as input, address 0x56b[6] should be set to 0, 0x563[6] and 0x569[6]/[5]/[6:5] should be set to 1.

When PN sequence or PN with Shapping is used, address 0x56a[4:0]/0x56b[4:0] determines the number of bits (ranging from 0 to 16) used in PN1/PN2 generator.

Address 0x567, 0x566 and 0x565[7:4] are to set step\_i[19:0] for the rate matching block, while address 0x564 is to tune the step\_i value. The step\_i should be in accordance with the aclk\_i provided by SDM/I2S clock.

Table 9- 3 Register configuration related to audio output path

Address	R/W	Description	Default value
0x560	RW	[0]1--mono mode audio output, 0--stereo mode audio output [1]1--enable I2S player, 0--disable I2S player [2]1--enable SDM player, 0--disable SDM player [3]1--enable ISO player, 0--disable ISO player [4]1--enable I2S recorder , 0--disable I2s recorder [5]1--enable interface of I2S, 0--disable interface of I2S [6]1--enable GRP,0--disable GRP [7]1--enable HPF,0--disable HPF	0x04
0x561	RW	[7:0]-- Middle of GRP	0x40
0x562	RW	[0]--Add a quarter [1]--Add a half [6:2]--shift left [7]1--mute, 0--normal	0x40
0x563	RW	[0]1--not multiply 2 when PWM, 0--mutiply2 [1]1--PWM, 0--not PWM [2]1-linear interpolate, 0-delay interpolate [4:3] reserved [5]1-left Shapping used, 0-left Shapping not used [6]1-right Shapping used, 0-right Shapping not used [7]: I2S input left/right channel swap	0x64
0x564	RW	[7:0] tune step_i for rate matching block	0x01
0x565	RW	[3:0]factor to generate I2S clock [7:4]low 4 bits of rate matching block step_i[3:0]	0x90
0x566	RW	[7:0] middle byte of rate matching block step_i[11:4]	0xc4
0x567	RW	[7:0]high byte of rate matching block step_i[19:12]	0x00
0x568	RW	[4:0]bits used in pn1 of left channel, range from 0 to 16 [5]1-pn2 of left enable, 0-pn2 of left disable [6]1-pn1 of left enable, 0-pn1 of left disable	0x50
0x569	RW	[4:0]bits used in pn2 of left channel, range from 0 to 16 [5]1-pn2 of right enable, 0-pn2 of right disable [6]1-pn1 of right enable, 0-pn1 of right disable	0x40
0x56a	RW	[4:0]bits used in pn1 of right channel, range from 0 to 16 [5]1-exchange data in between SDMs, 0-not exchanged	0x10

Address	R/W	Description	Default value
0x56b	RW	[4:0]bits used in pn2 of right channel, range from 0 to 16 [5]1-left channel use const value, 0-left channel use pn [6]1-right channel use const value, 0-right channel use pn	0x00
0x56c	RW	[7:0]low byte of left channel const, i.e, const_l[7:0]	0x00
0x56d	RW	[7:0]high byte of left channel const, i.e.const_l[15:8]	0x00
0x56e	RW	[7:0]low byte of right channel const, i.e const_r[7:0]	0x00
0x56f	RW	[7:0]high byte of right channel const, i.e const_r[15:8]	0x00

## 10 Quadrature Decoder

The TLSR8251 embeds one quadrature decoder (QDEC) which is designed mainly for applications such as wheel. The QDEC implements debounce function to filter out jitter on the two phase inputs, and generates smooth square waves for the two phase.

### 10.1 Input pin selection

The QDEC supports two phase input; each input is selectable from the 8 pins of PortD, PortC, PortB and PortA via setting address 0xd2[2:0] (for channel a)/0xd3[2:0] (for channel b).

Table 10- 1 Input pin selection

Address 0xd2[2:0]/0xd3[2:0]	Pin
0	PA<2>
1	PA<3>
2	PB<6>
3	PB<7>
4	PC<2>
5	PC<3>
6	PD<6>
7	PD<7>

**Note:** To use corresponding IO as QDEC input pin, it's needed first to enable GPIO function, enable "IE" (1) and disable "OEN" (1) for this IO.

### 10.2 Common mode and double accuracy mode

The QDEC embeds an internal hardware counter, which is not connected with bus.

Address 0xd7[0] serves to select common mode or double accuracy mode.

For each wheel rolling step, two pulse edges (rising edge or falling edge) are generated.

If address 0xd7[0] is cleared to select common mode, the QDEC Counter value (real time counting value) is increased/decreased by 1 only when the same rising/falling edges are detected from the two phase signals.

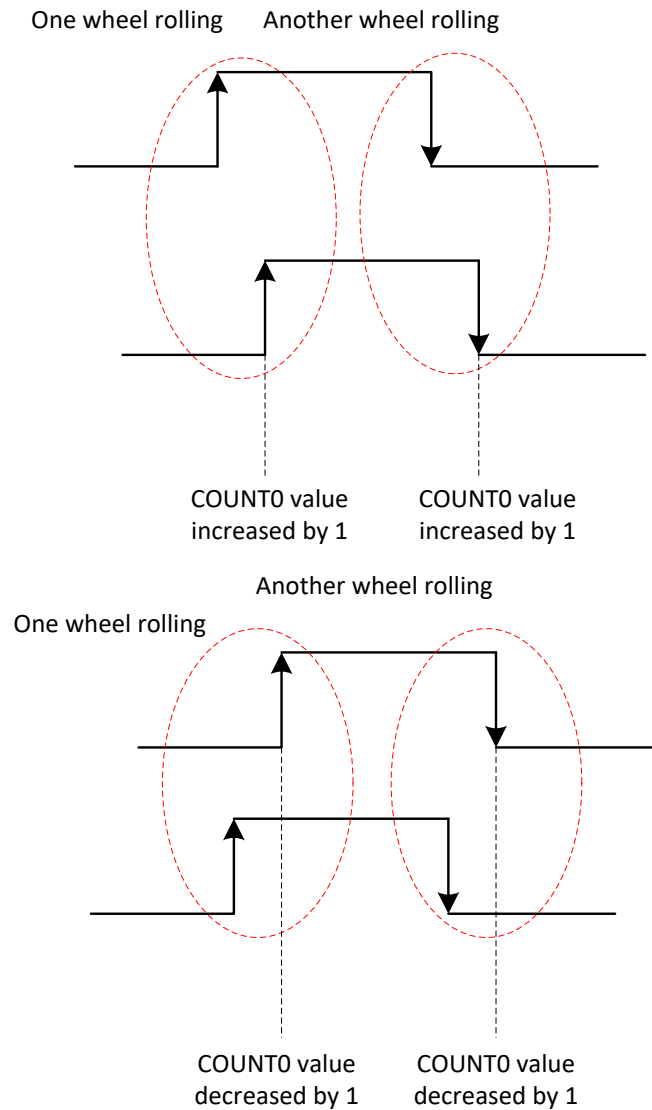


Figure 10- 1 Common mode

If address 0xd7[0] is set to 1b'1 to select double accuracy mode, the QDEC Counter value (real time counting value) is increased/decreased by 1 on each rising/falling edge of the two phase signals; the COUNT0 will be increased/decreased by 2 for one wheel rolling.

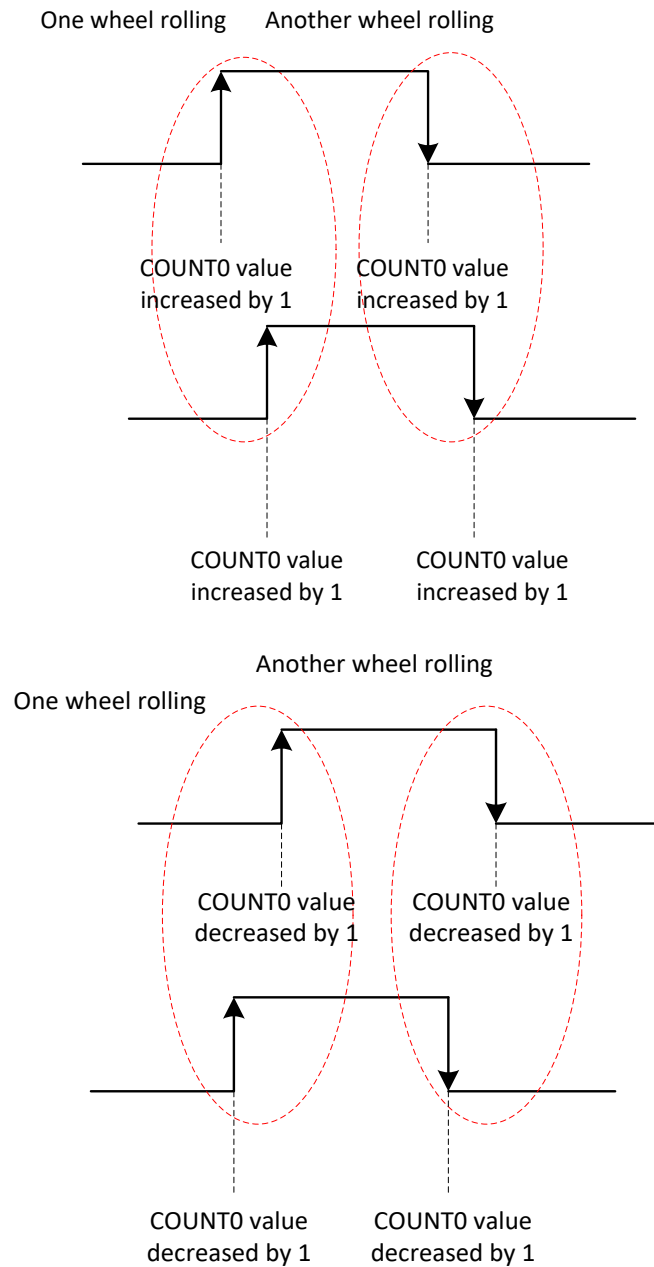


Figure 10-2 Double accuracy mode

### 10.3 Read real time counting value

Neither can Hardware Counter value be read directly via software, nor can the counting value in address 0xd0 be updated automatically.

To read real time counting value, first write address 0xd8[0] with 1b'1 to load Hardware Counter data into the QDEC\_COUNT register, then read address 0xd0.

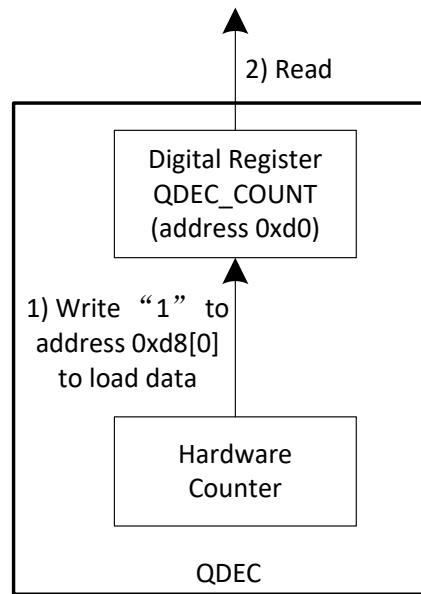


Figure 10- 3 Read real time counting value

#### 10.4 QDEC reset

Address 0x60[5] serves to reset the QDEC. The QDEC Counter value is cleared to zero.

#### 10.5 Other configuration

The QDEC supports hardware debouncing. Address 0xd1[2:0] serves to set filtering window duration. All jitter with period less than the value will be filtered out and thus does not trigger count change.

Address 0xd1[4] serves to set input signal initial polarity.

Address 0xd1[5] serves to enable shuttle mode. Shuttle mode allows non-overlapping two phase signals as shown in the following figure.

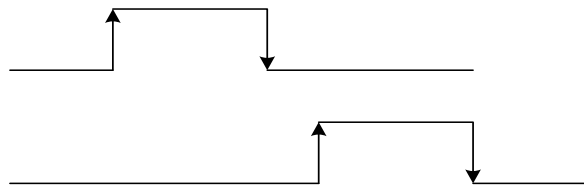


Figure 10- 4 Shuttle mode

## 10.6 Timing sequence

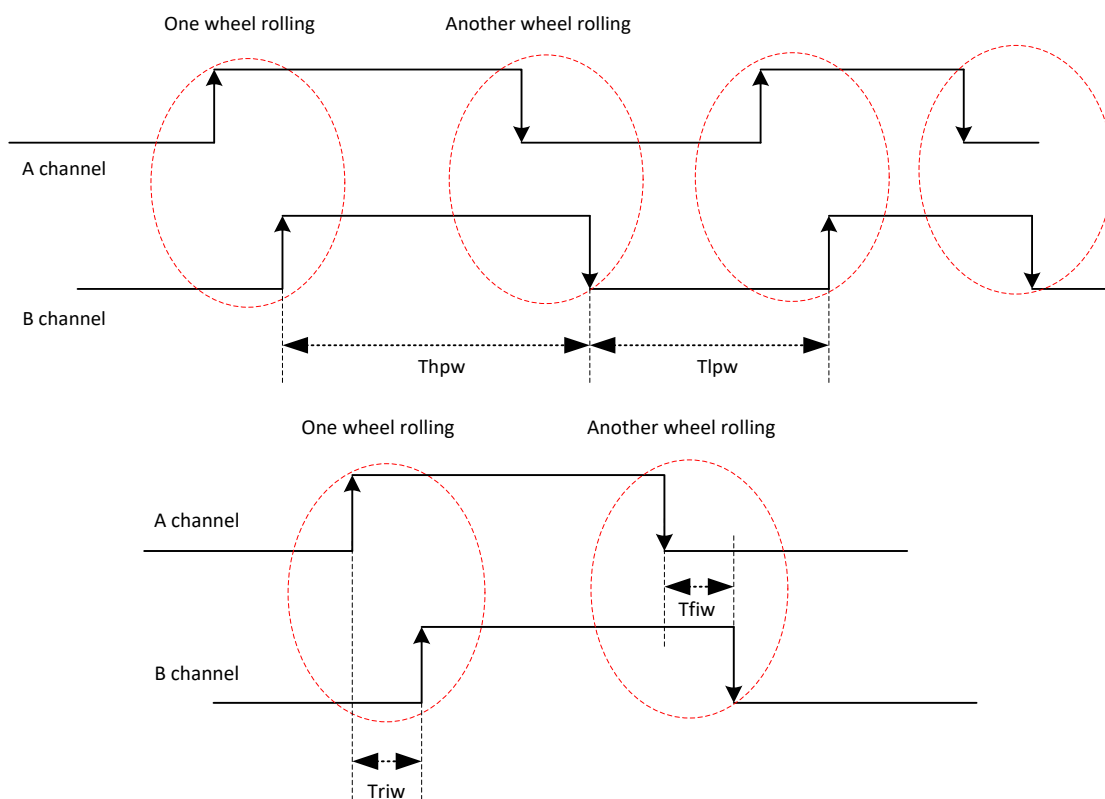


Figure 10-5 Timing sequence chart

Table 10-2 Timing

Time interval	Min Value
Thpw (High-level pulse width)	$2^{(n+1)} * \text{clk\_32kHz} * 3$ (n=0xd1[2:0])
Tlpw (Low-level pulse width)	$2^{(n+1)} * \text{clk\_32kHz} * 3$ (n=0xd1[2:0])
Triw (Interval width between two rising edges)	$2^{(n+1)} * \text{clk\_32kHz}$ (n=0xd1[2:0])
Tfiw (Interval width between two falling edges)	$2^{(n+1)} * \text{clk\_32kHz}$ (n=0xd1[2:0])

QDEC module works based on 32kHz clock to ensure it can work in suspend mode. QDEC module supports debouncing function, and any signal with width lower than the threshold (i.e. " $2^{(n+1)} * \text{clk\_32kHz} * 3$  (n=0xd1[2:0])") will be regarded as jitter. Therefore, effective signals input from Channel A and B should contain high/low level with width Thpw/Tlpw more than the threshold. The  $2^n * \text{clk\_32kHz}$  clock is used to synchronize input signal of QDEC module, so the interval between two adjacent rising/falling edges from Channel A and B, which are marked as Triw and Tfiw, should exceed " $2^{(n+1)} * \text{clk\_32kHz}$ ".

Only when the timing requirements above are met, can QDEC module recognize wheel rolling times correctly.

## 10.7 Register table

Table 10- 3 Register table for QDEC

Address	R/W	Description	Default value
0xd0	R	QDEC Counting value (read to clear): Pulse edge number	0x00
0xd1	R/W	[2:0] : filter time (can filter $2^n * \text{clk\_32k} * 2$ width deglitch) [4]: pola, input signal pola 0: no signal is low, 1: no signal is high [5]:shuttle mode 1 to enable shuttle mode	0x00
0xd2	R/W	[2:0] QDEC input pin select for channel a choose 1 of 8 pins for input channel a 7~0: {pd[7:6],pc[3:2],pb[7:6],pa[3:2]}	0x00
0xd3	R/W	[2:0] QDEC input pin select for channel b choose 1 of 8 pins for input channel b 7~0: {pd[7:6],pc[3:2],pb[7:6],pa[3:2]}	0x01
0xd6	R/W	[0]RSVD	0x00
0xd7	R/W	[0]Enable double accuracy mode	0x01
0xd8	R/W	[0]write 1 to load data when load completes it will be 0	0x00

## 11 SAR ADC

The TLSR8251 integrates one SAR ADC module, which can be used to sample analog input signals such as battery voltage, mono or stereo audio signals.

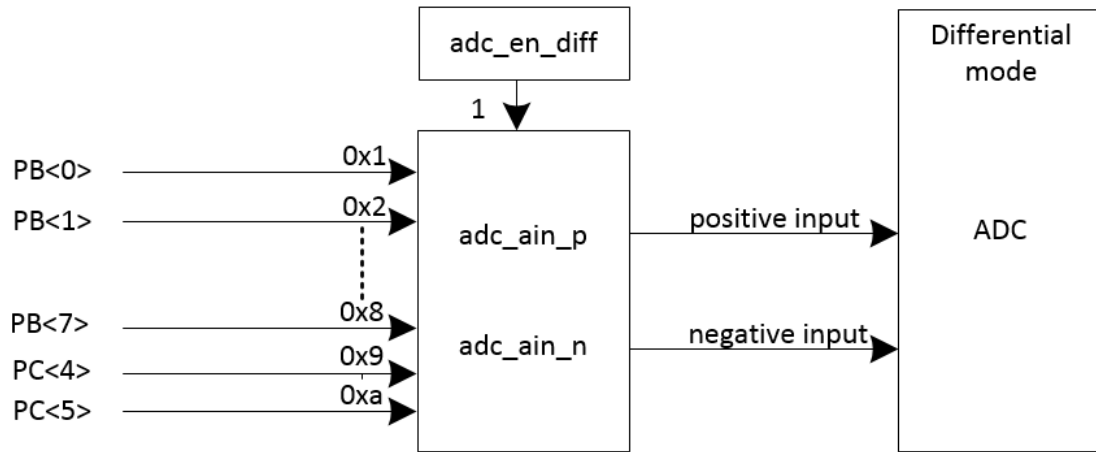


Figure 11-1 Block diagram of ADC

### 11.1 Power on/down

The SAR ADC is disabled by default. To power on the ADC, the analog register `adc_pd` (`afe_0xfc<5>`) should be set as `1b'0`.

### 11.2 ADC clock

ADC clock is derived from external 24MHz crystal source, with frequency dividing factor configurable via the analog register `adc_clk_div` (`afe_0xf4<2:0>`).

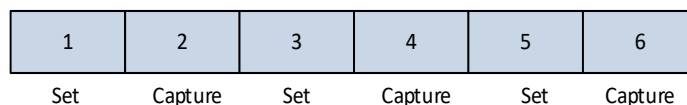
$$\text{ADC clock frequency (marked as } F_{\text{ADC\_clk}}) = 24\text{MHz}/(\text{adc\_clk\_div}+1)$$

### 11.3 ADC control in auto mode

#### 11.3.1 Set max state and enable channel

The SAR ADC supports up to three channels including left channel, right channel and Misc channel. The left, right and Misc channels all consist of one "Set" state and one "Capture" state.

- ✧ The analog register `r_max_scnt` (`afe_0xf2<6:4>`) serves to set the max state index. As shown in the example below, the `r_max_scnt` should be set as `0x06`.



- ✧ The left/Misc channel can be enabled independently via `r_en_left` (`afe_0xf2<0>`), `r_en_misc` (`afe_0xf2<2>`).

- ✧ Only when the left channel is enabled, can the right channel be enabled via `r_en_right` (`afe_0xf2<1>`).
- ✧ To sample mono audio signals, the left channel should be enabled. To sample stereo audio signals, both the left channel and the right channel should be enabled.

### 11.3.2 “Set” state

The length of “Set” state for left, right and Misc channel is configurable via the analog register `r_max_s` (`afe_0xf1<3:0>`).

$$\text{“Set” state duration (marked as } T_{sd}\text{)} = r\_max\_s / 24\text{MHz.}$$

Each “Set” state serves to set ADC control signals for current channel via corresponding analog registers, including:

- ✧ `adc_en_diff`: `afe_0xec<4>` (left channel), `afe_0xec<5>` (right channel), `afe_0xec<6>` (Misc channel). MUST set as 1b'1 to select differential input mode.
- ✧ `adc_ain_p`: `afe_0xe8<7:4>` (Misc channel), `afe_0xe9<7:4>` (left channel), `afe_0xea<7:4>` (right channel). Select positive input in differential mode.
- ✧ `adc_ain_n`: `afe_0xe8<3:0>` (Misc channel), `afe_0xe9<3:0>` (left channel), `afe_0xea<3:0>` (right channel). Select negative input in differential mode.
- ✧ `adc_vref`: `afe_0xe7<1:0>` (left channel), `afe_0xe7<3:2>` (right channel), `afe_0xe7<5:4>` (Misc channel). Set reference voltage  $V_{REF}$ . ADC maximum input range is determined by the ADC reference voltage.
- ✧ `adc_sel_ai_scale`: `afe_0xfa<7:6>`. Set scaling factor for ADC analog input as 1 (default), or 1/8.

By setting this scaling factor, ADC maximum input range can be extended based on the  $V_{REF}$ .

For example, suppose the  $V_{REF}$  is set as 1.2V:

Since the scaling factor is 1 by default, the ADC maximum input range should be 0~1.2V (negative input is GND) / -1.2V~+1.2V (negative input is ADC GPIO pin).

If the scaling factor is set as 1/8, in theory ADC maximum input range should change to 0~9.6V (negative input is GND) / -9.6V~+9.6V (negative input is ADC GPIO pin). But limited by input voltage of the chip's PAD, the actual range is narrower.

- ✧ `adc_res`: `afe_0xeb<1:0>` (left channel), `afe_0xeb<5:4>` (right channel), `afe_0xec<1:0>` (Misc channel). Set resolution as 8/10/12/14 bits.

ADC data is always 15-bit format no matter what the resolution is set. For example, 14 bits resolution indicates ADC data consists of 14-bit valid data and 1-bit sign extension bit.

- ✧ `adc_tsamp`: `afe_0xed<3:0>` (left channel), `afe_0xed<7:4>` (right channel), `afe_0xee<3:0>` (Misc

channel). Set sampling time which determines the speed to stabilize input signals.

$$\text{Sampling time (marked as } T_{\text{samp}}) = \text{adc\_tsamp} / F_{\text{ADC\_clk}}$$

The lower sampling cycle, the shorter ADC convert time.

- ✧ pga\_boost, pga\_gain: Set PGA gain in Boost stage and Gain stage. See PGA section.

### 11.3.3 “Capture” state

For the left, right and Misc channels, at the beginning of each “Capture” state, run signal is issued automatically to start an ADC sampling and conversion process; at the end of each “Capture” state, ADC output data is captured.

- ✧ The length of “Capture” state for Misc channel is configurable via the analog register r\_max\_mc[9:0] (afe\_0xf1<7:6>, afe\_0xef<7:0>).

$$\text{“Capture” state duration for Misc channel (marked as } T_{\text{cd}}) = r_{\text{max\_mc}} / 24\text{MHz.}$$

- ✧ The length of “Capture” state for left and right channel is configurable via the analog register r\_max\_c[9:0] (afe\_0xf1<5:4>, afe\_0xf0<7:0>).

$$\text{“Capture” state duration for left \& right channel (marked as } T_{\text{cd}}) = r_{\text{max\_c}} / 24\text{MHz.}$$

- ✧ The “VLD” bit (afe\_0xf8<7>) will be set as 1b’1 at the end of “Capture” state to indicate the ADC data is valid, and this flag bit will be cleared automatically.

- ✧ The 15-bit ADC output data for Misc channel can be read from the analog register adc\_dat[14:0] (afe\_0xf8<6:0>, afe\_0xf7<7:0>).

Note: The total duration “T<sub>td</sub>”, which is the sum of the length of “Set” state and “Capture” state for all channels available, determines the sampling rate.

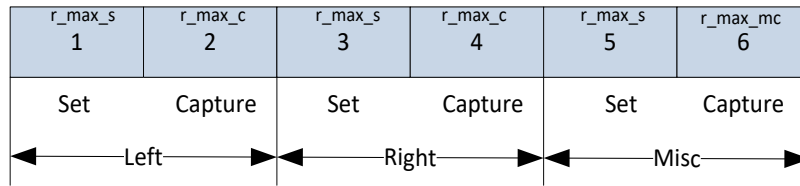
$$\text{Sampling frequency (marked as } F_s) = 1 / T_{\text{td}}$$

### 11.3.4 Usage cases

#### 11.3.4.1 Case 1: 3-channel sampling for stereo audio and Misc

In this case, afe\_0xf2<3:0> should be set as 0x7, so as to enable the left, right and Misc channels, the max state index should be set as “6” by setting afe\_0xf2<6:4> as 0x6.

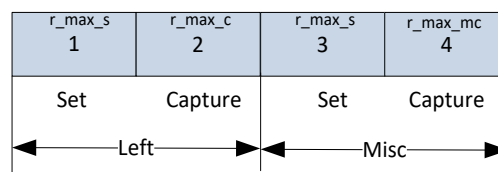
The total duration (marked as T<sub>td</sub>) = (1\*r\_max\_mc+3\*r\_max\_s+2\*r\_max\_c) / 24MHz.



#### 11.3.4.2 Case 2: 2-channel sampling for mono audio and Misc

In this case,  $afe\_0xf2<3:0>$  should be set as 0x5, so as to enable the left and Misc channels and disable the right channel, the max state index should be set as “4” by setting  $afe\_0xf2<6:4>$  as 0x4.

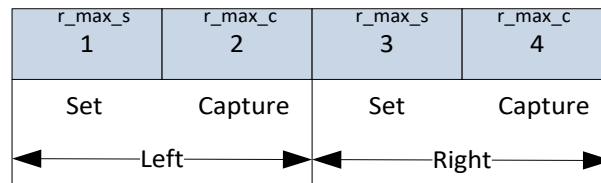
The total duration (marked as  $T_{td}$ ) =  $(1*r_{max\_mc}+2*r_{max\_s}+1*r_{max\_c}) / 24MHz$ .



#### 11.3.4.3 Case 3: 2-channel sampling for stereo audio

In this case,  $afe\_0xf2<3:0>$  should be set as 0x3, so as to enable the left and right channels and disable the Misc channel, the max state index should be set as “4” by setting  $afe\_0xf2<6:4>$  as 0x4.

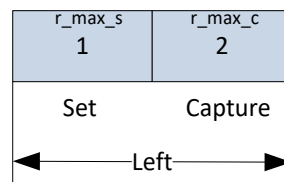
The total duration (marked as  $T_{td}$ ) =  $(2*r_{max\_s}+2*r_{max\_c}) / 24MHz$ .



#### 11.3.4.4 Case 4: 1-channel sampling for mono audio

In this case,  $afe\_0xf2<3:0>$  should be set as 0x1, so as to enable the left channel and disable the right and Misc channels, the max state index should be set as “2” by setting  $afe\_0xf2<6:4>$  as 0x2.

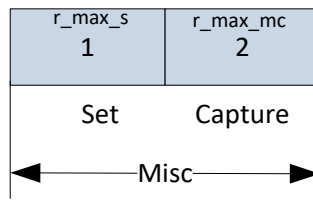
The total duration (marked as  $T_{td}$ ) =  $(1*r_{max\_s}+1*r_{max\_c}) / 24MHz$ .



#### 11.3.4.5 Case 5: 1-channel sampling for Misc

In this case,  $afe\_0xf2<3:0>$  should be set as 0x4, so as to enable the Misc channel and disable the left and right channels, the max state index should be set as “2” by setting  $afe\_0xf2<6:4>$  as 0x2.

The total duration (marked as  $T_{td}$ ) =  $(1*r_{max\_s}+1*r_{max\_mc}) / 24MHz$ .



#### 11.3.4.6 Case 6 with detailed register setting

This case introduces the register setting details for 3-channel sampling of left, right and Misc channels.

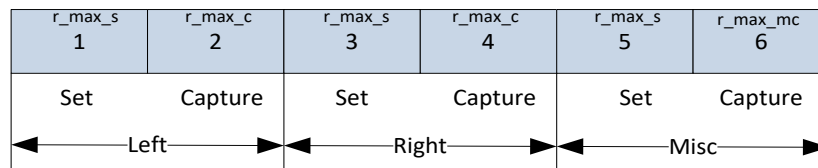


Table 11- 1 Overall register setting

Function	Register setting
Power on the ADC	$afe\_0xfc<5> = 1b'0$
Set $F_{ADC\_clk}$ (ADC clock frequency) as 4MHz	$afe\_0xf4<2:0> = 5$ $F_{ADC\_clk} = 24MHz/(5+1)=4MHz$
Enable the left, right and Misc channels	$afe\_0xf2<3:0> = 0x7$
Set the max state index as "6"	$afe\_0xf2<6:4> = 0x6$

Table 11- 2 Register setting for L/R/M channel

Function	Register setting		
	Left	Right	Misc
Set $T_{sd}$ ("Set" state duration)	$afe\_0xf1<3:0> = 10$ $T_{sd} = r\_max\_s/24MHz = 10/24MHz = 0.417\mu s$		
Set $T_{cd}$ ("Capture" state duration)	$afe\_0xf1<5:4>=0, afe\_0xf0<7:0>=170$ $T_{cd} = r\_max\_c[9:0]/24MHz = 170/24MHz = 7.1\mu s$	$afe\_0xf1<7:6>=0,$ $afe\_0xef<7:0>=130$ $T_{cd} = r\_max\_mc[9:0]/24MHz = 130/24MHz = 5.4\mu s$	
$T_{td}$ (total duration)	$T_{td} = (1*r\_max\_mc+3*r\_max\_s+2*r\_max\_c) / 24MHz = 500/24MHz = 20.83\mu s$		
$F_s$ (Sampling frequency)	$F_s = 1 / T_{td} = 24MHz/500 = 48kHz$		

Function	Register setting		
	Left	Right	Misc
Select differential input	afe_0xec<4>=1 differential input	afe_0xec<5>=1 differential input	afe_0xec<6>=1 differential input
Set input channel	afe_0xe9=0x12 Select B<0> and B<1> as positive input and negative input	afe_0xea=0x34 Select B<2> and B<3> as positive input and negative input	afe_0xe8=0xaf Select C<5> as positive input, select GND as negative input
Set reference voltage $V_{REF}$	afe_0xe7<1:0>=0 $V_{REF} = 0.6V$	afe_0xe7<3:2>=1 $V_{REF} = 0.9V$	afe_0xe7<5:4>=2 $V_{REF} = 1.2V$
Set scaling factor for ADC analog input	afe_0xfa<7:6>=0 scaling factor: 1		
	ADC maximum input range: -0.6~+0.6V	ADC maximum input range: -0.9~+0.9V	ADC maximum input range: 0 ~ +1.2V
Set resolution	afe_0xeb<1:0>=1 resolution: 10bits	afe_0xeb<5:4>=2 resolution: 12bits	afe_0xec<1:0>=3 resolution: 14bits
Set $T_{smp}$ (determines the speed to stabilize input before sampling)	afe_0xed<3:0>=1 $T_{smp} = adc\_tsamp / F_{ADC\_clk} = 6/4MHz = 1.5\mu s$	afe_0xed<7:4>=2 $T_{smp} = adc\_tsamp / F_{ADC\_clk} = 9/4MHz = 2.25\mu s$	afe_0xee<3:0>=3 $T_{smp} = adc\_tsamp / F_{ADC\_clk} = 12/4MHz = 3\mu s$

## 11.4 Register table

Table 11- 3 Register table related to SAR ADC

Address	R/W	Description	Default Value
afe_0xe7<1:0>	R/W	Select V <sub>REF</sub> for left channel 0x0: 0.6V 0x1: 0.9V 0x2: 1.2V 0x3: rsvd	0x0
afe_0xe7<3:2>	R/W	Select V <sub>REF</sub> for right channel 0x0: 0.6V 0x1: 0.9V 0x2: 1.2V 0x3: rsvd	0x0
afe_0xe7<5:4>	R/W	Select V <sub>REF</sub> for Misc channel 0x0: 0.6V 0x1: 0.9V 0x2: 1.2V 0x3: rsvd	0x0
afe_0xe7<7:6>	-	Reserved	-
afe_0xe8<3:0>	R/W	Select negative input for Misc channel: 0x0: No input 0x1: B<0> 0x2: B<1> ... 0x8: B<7> 0x9: C<4> 0xa: C<5> 0xb: pga_n<0> (PGA left-channel negative output) 0xc: pga_n<1> (PGA right-channel negative output) 0xd: tempsensor_n (Temperature sensor negative output) 0xe: Ground 0xf: Ground	0x0
afe_0xe8<7:4>	R/W	Select positive input for Misc channel: 0x0: No input 0x1: B<0> 0x2: B<1> ...	0x0

Address	R/W	Description	Default Value
		0x8: B<7> 0x9: C<4> 0xa: C<5> 0xb: pga_p<0> (PGA left-channel positive output) 0xc: pga_p<1> (PGA right-channel positive output) 0xd: tempsensor_p (Temperature sensor positive output) 0xe: rsvd 0xf: rsvd	
afe_0xe9<3:0>	R/W	Select negative input for left channel 0x0: No input 0x1: B<0> 0x2: B<1> ... 0x8: B<7> 0x9: C<4> 0xa: C<5> 0xb: pga_n<0> (PGA left-channel negative output) 0xc: pga_n<1> (PGA right-channel negative output) 0xd: tempsensor_n (Temperature sensor negative output) 0xe: Ground 0xf: Ground	0x0
afe_0xe9<7:4>	R/W	Select positive input for left channel: 0x0: No input 0x1: B<0> 0x2: B<1> ... 0x8: B<7> 0x9: C<4> 0xa: C<5> 0xb: pga_p<0> (PGA left-channel positive output) 0xc: pga_p<1> (PGA right-channel positive output) 0xd: tempsensor_p (Temperature sensor positive output)	0x0

Address	R/W	Description	Default Value
		0xe: rsvd 0xf: rsvd	
afe_0xea<3:0>	R/W	Select negative input for right channel: 0x0: No input 0x1: B<0> 0x2: B<1> ... 0x8: B<7> 0x9: C<4> 0xa: C<5> 0xb: pga_n<0> (PGA left-channel negative output) 0xc: pga_n<1> (PGA right-channel negative output) 0xd: tempsensor_n (Temperature sensor negative output) 0xe: Ground 0xf: Ground	0x0
afe_0xea<7:4>	R/W	Select positive input for right channel: 0x0: No input 0x1: B<0> 0x2: B<1> ... 0x8: B<7> 0x9: C<4> 0xa: C<5> 0xb: pga_p<0> (PGA left-channel positive output) 0xc: pga_p<1> (PGA right-channel positive output) 0xd: tempsensor_p (Temperature sensor positive output) 0xe: rsvd 0xf: rsvd	0x0
afe_0xeb<1:0>	R/W	Set resolution for left channel 0x0: 8bits 0x1: 10bits 0x2: 12bits 0x3: 14bits	0x11
afe_0xeb<3:2>	-	Reserved	-

Address	R/W	Description	Default Value
afe_0xeb<5:4>	R/W	Set resolution for right channel 0x0: 8bits 0x1: 10bits 0x2: 12bits 0x3: 14bits	0x11
afe_0xeb<7:6>	-	Reserved	-
afe_0xec<1:0>	R/W	Set resolution for Misc channel 0x0: 8bits 0x1: 10bits 0x2: 12bits 0x3: 14bits	0x11
afe_0xec<3:2>	-	Reserved	-
afe_0xec<4>	R/W	Select input mode for left channel. 0: rsvd 1: differential mode	0x0
afe_0xec<5>	R/W	Select input mode for right channel. 0: rsvd 1: differential mode	0x0
afe_0xec<6>	R/W	Select input mode for Misc channel. 0: rsvd 1: differential mode	0x0
afe_0xec<7>	-	Reserved	-
afe_0xed<3:0>	R/W	Number of ADC clock cycles in sampling phase for left channel to stabilize the input before sampling: 0x0: 3 cycles 0x1: 6 cycles 0x2: 9 cycles 0x3: 12 cycles ... 0xf: 48 cycles	0x0
afe_0xed<7:4>	R/W	Number of ADC clock cycles in sampling phase for right channel to stabilize the input before sampling: 0x0: 3 cycles 0x1: 6 cycles 0x2: 9 cycles 0x3: 12 cycles ...	0x0

Address	R/W	Description	Default Value
		0xf: 48 cycles	
afe_0xee<3:0>	R/W	Number of ADC clock cycles in sampling phase for Misc channel to stabilize the input before sampling: 0x0: 3 cycles 0x1: 6 cycles 0x2: 9 cycles 0x3: 12 cycles ... 0xf: 48 cycles	0x0
afe_0xef<7:0>	R/W	r_max_mc[9:0] serves to set length of “capture” state for Misc channel.	0x0f
afe_0xf0<7:0>	R/W	r_max_c[9:0] serves to set length of “capture” state for left and right channel.	0x60
afe_0xf1<3:0>	R/W	r_max_s serves to set length of “set” state for left, right and Misc channel.	0x06
afe_0xf1<5:4>	R/W	Note: State length indicates number of 24M clock cycles occupied by the state.	0x00
afe_0xf1<7:6>	R/W		0x00
afe_0xf2<0>	R/W	Enable left channel. 1: enable	0x0
afe_0xf2<1>	R/W	Enable right channel. 1: enable	0x0
afe_0xf2<2>	R/W	Enable Misc channel sampling. 1: enable	0x0
afe_0xf2<3>	R/W	rsvd	0x0
afe_0xf2<6:4>	R/W	Set total length for sampling state machine (i.e. max state index)	0x0
afe_0xf2<7>	-	Reserved	-
afe_0xf3<7:0>	-	Reserved	-
afe_0xf4<2:0>	R/W	ADC clock (derive from external 24M crystal) ADC clock frequency = 24M/(adc_clk_div+1)	0x11
afe_0xf4<7:3>	-	Reserved	-
afe_0xf5<7:0>	-	Reserved	-
afe_0xf6<7:0>	-	Reserved	-
afe_0xf7<7:0>	R	Read only, Misc adc dat[7:0]	0x00
afe_0xf8<7:0>	R	Read only [7]: vld, ADC data valid status bit (This bit will be set as 1 at the end of capture state to indicate the ADC data is valid, and will be cleared when set state starts.) [6:0]: Misc adc_dat[14:8]	0x00
afe_0xf9<3:2>	-	Reserved	-

Address	R/W	Description	Default Value
afe_0xfa<7:6>	R/W	Analog input pre-scaling select sel_ai_scale[1:0]: scaling factor 0x0: 1 0x1: rsvd 0x2: rsvd 0x3: 1/8	0x0
afe_0xfc<4>	R/W	rsvd	0x0
afe_0xfc<5>	R/W	Power down ADC 1: Power down 0: Power up	0x1

## 12 PGA

The TLSR8251 integrates a PGA (Programmable Gain Amplifier) module.

The PGA supports two channels including left channel and right channel, and each channel consists of Boost stage pre-amplifier and Gain stage post-amplifier.

The PGA is used in combination with the audio and ADC module: By adjusting the gain of pre-amplifier and post-amplifier, the PGA can amplify mono or stereo differential input audio signals from specific AMIC pins before ADC sampling.

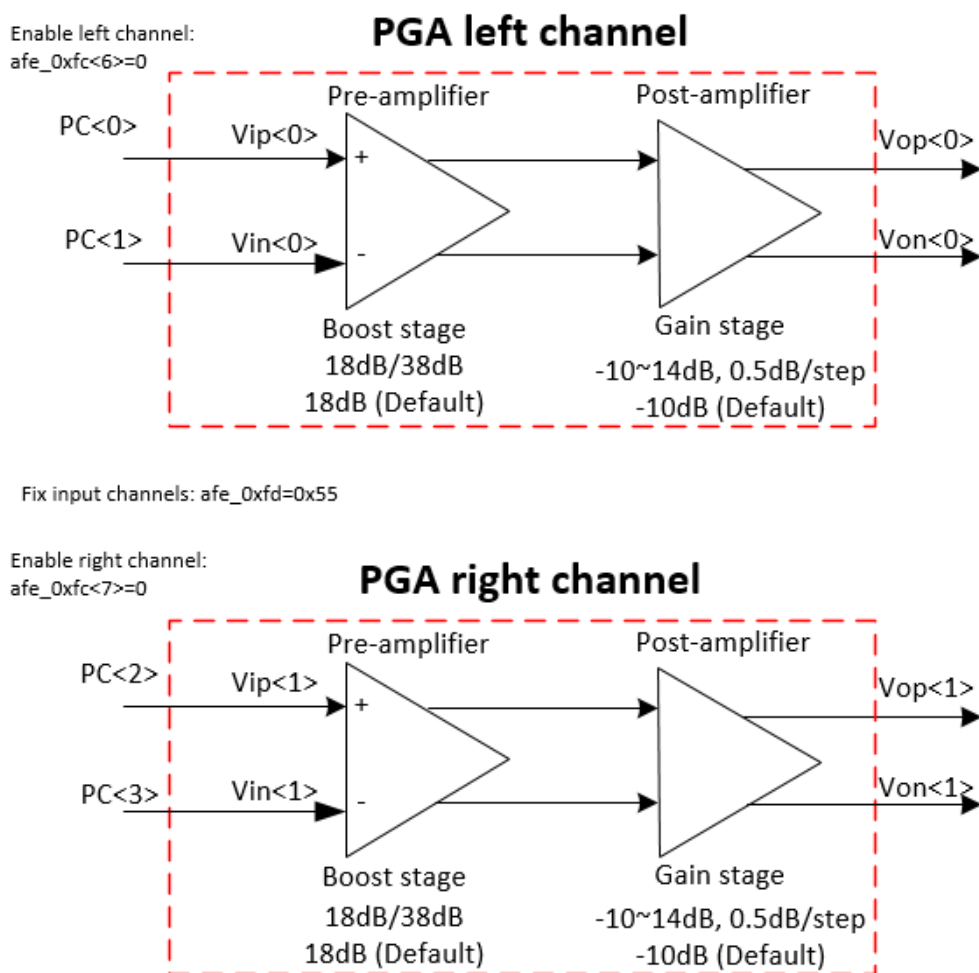


Figure 12- 1 Block diagram of PGA

**\*Note:**

- Vip<0>, Vin<0>: Positive/Negative input of PGA left channel;
- Vop<0>, Von<0>: Positive/Negative output of PGA left channel;
- Vip<1>, Vin<1>: Positive/Negative input of PGA right channel;
- Vop<1>, Von<1>: Positive/Negative output of PGA right channel.

## 12.1 Power on/down

Both PGA left channel and right channel are disabled by default.

To power on PGA left/right channel, the analog register `pga_pd_l` (`afe_0xfc<6>`) / `pga_pd_r` (`afe_0xfc<7>`) should be set as `1b'0`.

## 12.2 Input channel

The analog register `afe_0xfd` must be set as `0x55`, i.e. PGA input channel is fixed as `PC<0>~PC<3>`.

- ✧ `PC<0>`: positive input for PGA left channel.
- ✧ `PC<1>`: negative input for PGA left channel.
- ✧ `PC<2>`: positive input for PGA right channel.
- ✧ `PC<3>`: negative input for PGA right channel.

## 12.3 Adjust gain

**\*NOTE:** Since the ADC right channel cannot be used independently, gain of the PGA right channel is only adjustable when enabling both the ADC left channel and right channel.

To adjust the PGA gain, the ALC of the audio module should be configured as analog mode, and the following three cases can apply:

### 1) Auto regulate

If auto regulate function is enabled, user can set an initial PGA gain. The (AMIC input \* current PGA gain) is compared with the pre-configured high volume target, low volume target and volume noise level, and the PGA gain will be automatically adjusted within the pre-configured range accordingly.

Please refer to section 9.2.5.1 Auto regulate in analog mode for details.

### 2) Manual mode 1

If manual mode 1 is enabled, the PGA gain is directly adjustable via digital register `0xb63`: Address `0xb63[6]` serves to set gain for the pre-amplifier as `18dB` (`1b'0`, default) or `38dB` (`1b'1`); while address `0xb63[5:0]` serves to set gain for the post-amplifier as `-10dB` (`0x0`, default) ~ `14dB` (`0x30`) with step of `0.5dB`. The total PGA gain should be the sum of the two gain values.

Please refer to section 9.2.5.2 Manual regulate in analog mode for details.

### 3) Manual mode 2

If manual mode 2 is enabled, the PGA gain will be automatically adjusted to the pre-configured target gain value with the pre-configured speed.

Please refer to section 9.2.5.2 Manual regulate in analog mode for details.

## 12.4 Register table

Table 12- 1 Analog register table related to PGA

Address	R/W	Description	Default Value
afe_0xfc<6>	R/W	Power down left channel PGA 1: Power down, 0: Power up	0x1
afe_0xfc<7>	R/W	Power down right channel PGA 1: Power down, 0: Power up	0x1
afe_0xfd<1:0>	R/W	Select left channel positive input source. Gate off all input with pga_pd_l. 0x1: C<0> 0x0: No input 0x2: No input 0x3: No input	0x0
afe_0xfd<3:2>	R/W	Select left channel negative input source. Gate off all input with pga_pd_l. 0x1: C<1> 0x0: No input 0x2: No input 0x3: No input	0x0
afe_0xfd<5:4>	R/W	Select right channel positive input source. Gate off all input with pga_pd_r. 0x1: C<2> 0x0: No input 0x2: No input 0x3: No input	0x0
afe_0xfd<7:6>	R/W	Select right channel negative input source. Gate off all input with pga_pd_r. 0x1: C<3> 0x0: No input 0x2: No input 0x3: No input	0x0

For digital registers related to the PGA, please refer to section 9.2.5 and 9.2.6.

## 13 Low Power Comparator

The TLSR8251 embeds a low power comparator. This comparator takes two inputs: input derived from external PortB (PB<1>~PB<7>), and reference input derived from internal reference, PB<0>, PB<3>, AVDD3 or float.

By comparing the input voltage multiplied by selected scaling coefficient with reference input voltage, the low power comparator will output high or low level accordingly.

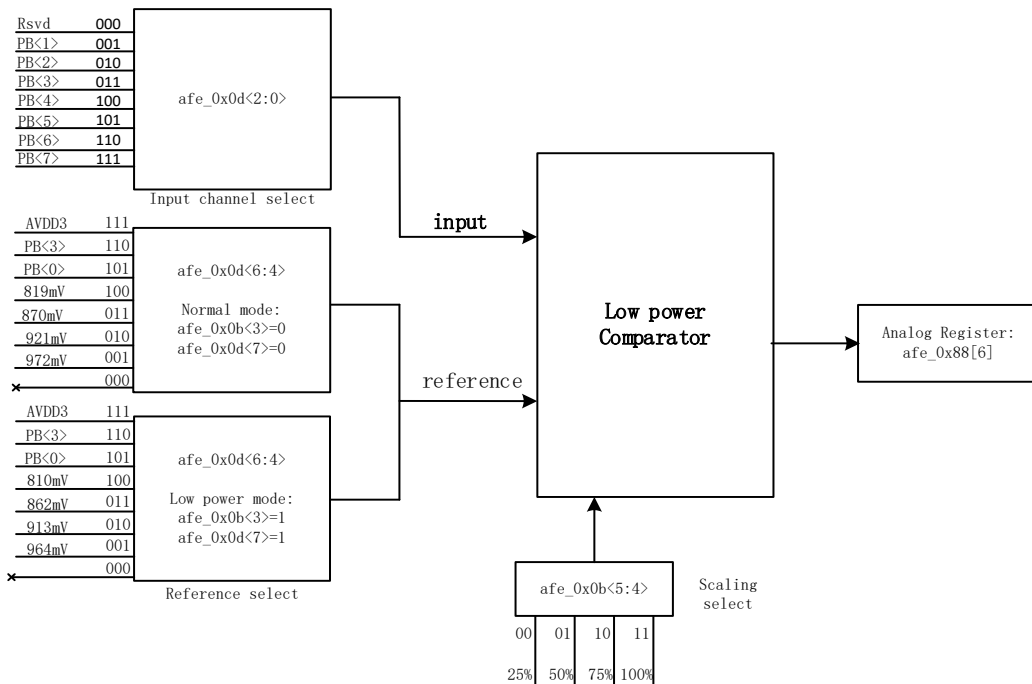


Figure 13- 1 Block diagram of low power comparator

### 13.1 Power on/down

The low power comparator is powered down by default.

The analog register afe\_0x07<3> serves to control power state of the low power comparator: By clearing this bit, this comparator will be powered on; by setting this bit to 1b'1, this comparator will be powered down.

To use the low power comparator, first set afe\_0x07<3> as 1b'0, then the 32K RC clock source is enabled as the comparator clock.

### 13.2 Select input channel

Input channel is selectable from the PortB (PB<1>~PB<7>) via the analog register afe\_0x0d<2:0>.

### 13.3 Select mode and input channel for reference

Generally, it's needed to clear both the `afe_0x0b<3>` and `afe_0x0d<7>` to select the normal mode. In normal mode, the internal reference is derived from UVLO and has higher accuracy, but current bias is larger (10 $\mu$ A); reference voltage input channel is selectable from internal reference of 972mV, 921mV, 870mV and 819mV, as well as PB<0>, PB<3>, AVDD3 and float.

To select the low power mode, both the `afe_0x0b<3>` and `afe_0x0d<7>` should be set as 1b'1. In low power mode, the internal reference is derived from Bandgap and has lower accuracy, but current bias is decreased to 50nA; reference voltage input channel is selectable from internal reference of 964mV, 913mV, 862mV and 810mV, as well as PB<0>, PB<3>, AVDD3 and float.

### 13.4 Select scaling coefficient

Equivalent reference voltage equals the selected reference input voltage divided by scaling coefficient.

The analog register `afe_0x0b<5:4>` serves to select one of the four scaling options: 25%, 50%, 75% and 100%.

### 13.5 Low power comparator output

The low power comparator output is determined by the comparison result of the value of [input voltage \*scaling] and reference voltage input. The comparison principle is shown as below:

- ✧ If the value of [input voltage \*scaling] is larger than reference voltage input, the output will be low ("0").
- ✧ If the value of [input voltage \*scaling] is lower than reference voltage input, the output will be high ("1").
- ✧ If the value of [input voltage \*scaling] equals reference voltage input, or input channel is selected as float, the output will be uncertain.

User can read the output of the low power comparator via the analog register `afe_0x88[6]`.

The output of the low power comparator can be used as signal to wakeup system from low power modes.

### 13.6 Register table

Table 13- 1 Analog register table related to low power comparator

Address	R/W	Description	Default Value
<code>afe_0x07&lt;3&gt;</code>	RW	Power on/down low power comparator: 0: Power up 1: Power down	0x1
<code>afe_0x0b&lt;3&gt;</code>	RW	Reference mode select: 0: normal mode (current bias 10 $\mu$ A) 1: low power mode (current bias 50nA) See <code>afe_0x0d&lt;7&gt;</code> .	0x1

Address	R/W	Description	Default Value
afe_0x0b<5:4>	RW	Reference voltage scaling: 00: 25% 01: 50% 10: 75% 11: 100%	0x1
afe_0x0d<2:0>	RW	Input Channel select: 000: rsvd 001: B<1> 010: B<2> 011: B<3> 100: B<4> 101: B<5> 110: B<6> 111: B<7>	0x0
afe_0x0d<3>	RW	rsvd	0x0
afe_0x0d<6:4>	RW	Reference select: normal mode    low power mode 000: Float      000: Float 001: 972mV    001: 964mV 010: 921mV    010: 913mV 011: 870mV    011: 862mV 100: 819mV    100: 810mV 101: B<0>      101: B<0> 110: B<3>      110: B<3> 111: AVDD3    111: AVDD3	0x0
afe_0x0d<7>	RW	Enable or disable 10μA current bias: 0: Enable 10μA current bias 1: Disable 10μA current bias	0x1

## 14 AES

The TLSR8251 embeds AES module with encryption and decryption function. The input 128bit plaintext in combination of key is converted into the final output ciphertext via encryption; the 128bit ciphertext in combination of key can also be converted into 128bit plaintext via decryption.

The AES hardware accelerator provides automatic encryption and decryption. It only takes (1000\*system clock cycles) to implement AES encryption/decryption. Suppose system clock is 20MHz, the time needed for AES encryption/decryption is 50us.

Both RISC mode and DMA mode are supported for AES operation.

### 14.1 RISC mode

For RISC mode, configuration of related registers is as follows:

- 1) Set the value of key via writing registers AES\_KEY0~ AES\_KEY15 (address 0x550~0x55f).
- 2) Set operation method of AES module via register AES\_CTRL: set address 0x540[0] as 1b'1 for decryption method, while clear this bit for encryption method.
- 3) For encryption method, write registers AES-DAT0~ AES-DAT3 (address 0x548~0x54b) for four times to set the 128bit plaintext. After encryption, the 128bit ciphertext can be obtained by reading address 0x548~0x54b for four times.
- 4) For decryption method, write registers AES-DAT0~ AES-DAT3 (address 0x548~0x54b) for four times to set the 128bit ciphertext. After decryption, the 128bit plaintext can be obtained by reading address 0x548~0x54b for four times.
- 5) Address 0x540 bit[1] and bit[2] are read only bits: bit[1] will be cleared automatically after quartic writing of address 0x548~0x54b; bit[2] will be set as 1 automatically after encryption/decryption, and then cleared automatically after quartic reading of address 0x548~0x54b.

### 14.2 DMA mode

As for DMA mode, it is only needed to configure the value of key and encryption/decryption method for AES module. Please refer to point 1) ~ 2) in section 15.1.

### 14.3 AES-CCM

The AES-CCM (Counter with the CBC-MAC) mode is disabled by default. AES output is directly determined by current encryption and decryption, irrespective of previous encryption and decryption result.

If 0x540[7] is set as 1b'1 to enable AES-CCM mode, AES output will also take previous encryption and decryption result into consideration.

## 14.4 Register table

Table 14- 1 Register table related to AES

Address	R/W	Description	Default Value
0x540	R/W	[0] Select decrypt/encrypt. 1: decrypt, 0: encrypt [1] Read-only. 1: input data needed, 0: input data ready. [2] Read-only. 0: output data not ready, 1: output data ready. [7] 1: enable AES-CCM mode.	0x02
0x548		Input/Output Data byte 0	0x00
0x549		Input/Output Data byte 1	0x00
0x54a		Input/Output Data byte 2	0x00
0x54b		Input/Output Data byte 3	0x00
0x550	R/W	[7:0] KEY0	0x00
0x551	R/W	[7:0] KEY1	0x00
0x552	R/W	[7:0] KEY2	0x00
0x553	R/W	[7:0] KEY3	0x00
0x554	R/W	[7:0] KEY4	0x00
0x555	R/W	[7:0] KEY5	0x00
0x556	R/W	[7:0] KEY6	0x00
0x557	R/W	[7:0] KEY7	0x00
0x558	R/W	[7:0] KEY8	0x00
0x559	R/W	[7:0] KEY9	0x00
0x55a	R/W	[7:0] KEY10	0x00
0x55b	R/W	[7:0] KEY11	0x00
0x55c	R/W	[7:0] KEY12	0x00
0x55d	R/W	[7:0] KEY13	0x00
0x55e	R/W	[7:0] KEY14	0x00
0x55f	R/W	[7:0] KEY15	0x00

## 15 Key Electrical Specifications

**Note:** The electrical characteristics currently listed in this section are target specifications and only supplied for reference. Some data may be updated according to actual test results.

### 15.1 Absolute maximum ratings

Table 15- 1 Absolute Maximum Ratings

Characteristics	Sym.	Min.	Max	Unit	Test Condition
Supply Voltage	VDD	-0.3	3.6	V	All AVDD, DVDD and VDD_IO pin must have the same voltage
Voltage on Input Pin	V <sub>In</sub>	-0.3	VDD+0.3	V	
Output Voltage	V <sub>Out</sub>	0	VDD	V	
Storage temperature Range	T <sub>Str</sub>	-65	150	°C	
Soldering Temperature	T <sub>Sld</sub>		260	°C	

**CAUTION:** Stresses above those listed in “Absolute Maximum Ratings” may cause permanent damage to the device. This is a stress only rating and operation of the device at these or any other conditions above those indicated in the operational sections of this specification is not implied.

### 15.2 Recommended operating condition

Table 15- 2 Recommended operation condition

Item	Sym.	Min	Typ.	Max	Unit	Condition
Power-supply voltage	VDD	1.8	3.3	3.6	V	All AVDD, DVDD and VDD_IO pin must have the same voltage
Supply rise time (from 1.6V to 1.8V)	t <sub>R</sub>			10	ms	
Operating Temperature Range	T <sub>Opr</sub>	-40		85	°C	

### 15.3 DC characteristics

Unless otherwise stated, the general test conditions are:  $V_{DD}=3.3V$ ,  $T_a=25\text{ }^\circ\text{C}$ ,  $L_{DCDC}=47\mu\text{H}$ ,  $C_{DCDC}=4.7\mu\text{F}$ ,  $V_{DD}=3.3V$ ,  $V_{OUT1}=1.4V$ ,  $V_{OUT2}=1.8V$ ,  $I_{peak}=80\text{mA}$ (inductor),  $I(\text{max},1.4V)=20\text{mA}$ ,  $I(\text{max},1.8V)=20\text{mA}$ .

Table 15- 3 DC characteristics

Item	Sym.	Min	Typ.	Max	Unit	Remark
Input high voltage	$V_{IH}$	0.7VDD		VDD	V	
Input low voltage	$V_{IL}$	VSS		0.3VDD	V	
Output high voltage	$V_{OH}$	0.9VDD		VDD	V	
Output low voltage	$V_{OL}$	VSS		0.1VDD	V	
USB Output Signal Cross-over Voltage	$V_{CrS}$	1.3	-	2.0	V	
RX current	$I_{Rx}$		5.3		mA	Whole Chip, load RX bin file, switch to frequency, disable
TX current	$I_{Tx}$		4.8		mA	whole chip @ 0dBm with DCDC
TX current	$I_{Tx}$		24.7		mA	whole chip @ 10dBm with DCDC, load TX bin file, switch to 2448M
Deep sleep with 8kB SRAM retention	$I_{Deep1}$		1	3.1	$\mu\text{A}$	Without 32K RC
Deep sleep with 16kB SRAM retention			1.2	3.3	$\mu\text{A}$	Without 32K RC
Deep sleep with 32kB SRAM retention			1.4	3.5	$\mu\text{A}$	Without 32K RC
Deep sleep without SRAM retention	$I_{Deep2}$		0.4		$\mu\text{A}$	Without 32K RC
Deep sleep with 8kB SRAM retention	$I_{Deep3}$		1.5		$\mu\text{A}$	With 32K RC
Deep sleep with 16kB SRAM retention			1.7		$\mu\text{A}$	With 32K RC
Deep sleep with 32kB SRAM retention			1.9		$\mu\text{A}$	With 32K RC
Deep sleep without SRAM retention	$I_{Deep4}$		0.9		$\mu\text{A}$	With 32K RC

#### \*Notes:

- ✧ Without 32K RC: the wake up source is external signal from GPIO input, the internal 32K RC is disabled
- ✧ With 32K RC: the wake up source is 32K RC, it is enabled.

## 15.4 AC characteristics

Table 15- 4 AC Characteristics (VDD=3.3V, Ta=25°C)

Item	Sym.	Min	Typ.	Max	Unit	Condition
<b>RF performance</b>						
RF frequency range		2400		2483.5	MHz	Programmable in 1MHz step
Data rate	BLE/2.4G Proprietary 1Mbps, $\pm 250$ kHz deviation BLE/2.4G Proprietary 2Mbps, $\pm 500$ kHz deviation BLE 125kbps, $\pm 250$ kHz deviation BLE 500kbps, $\pm 250$ kHz deviation 802.15.4 250kbps, $\pm 500$ kHz deviation 2.4G Proprietary 500kbps, $\pm 125$ kHz deviation 2.4G Proprietary 250kbps, $\pm 62.5$ kHz deviation					
<b>BLE 1Mbps RF_Rx performance (<math>\pm 250</math>kHz deviation)*<sup>3</sup></b>						
Sensitivity	1Mbps		-96		dBm	
Frequency Offset Tolerance		-250		+300	kHz	
Co-channel rejection			11		dB	Wanted signal at -67dBm
In-band blocking rejection (Equal Modulation Interference)	+1/-1 MHz offset		-1/-3		dB	Wanted signal at -67dBm
	+2/-2 MHz offset		-37/-39		dB	
	$\geq 3$ MHz offset		-42		dB	
Image rejection			-37		dB	Wanted signal at -67dBm; image frequency=RF_channel-2MHz
<b>BLE 1Mbps RF_Tx performance</b>						
Output power, maximum setting			10	12	dBm	
Output power, minimum setting (resolution)			-45		dBm	

<sup>3</sup> For actual sensitivity level of BLE 1Mbps mode, please refer to Bluetooth specification.

Item	Sym.	Min	Typ.	Max	Unit	Condition
Programmable output power range		55			dB	
Modulation 20dB bandwidth			1.4		MHz	
<b>IEEE802.15.4 250kbps RF_Rx performance (<math>\pm 500</math>kHz deviation)*<sup>4</sup></b>						
Sensitivity	250kbps		-99.5		dBm	
Frequency Offset Tolerance		-300		+300	kHz	
Adjacent channel rejection (-1/+1 channel)			-42/-42		dB	Wanted signal at -82dBm
Adjacent channel rejection (-2/+2 channel)			-42/-42		dB	Wanted signal at -82dBm
Error vector magnitude	EVM			2%		Max (10dBm) power output
<b>IEEE802.15.4 250kbps RF_Tx performance</b>						
Output power, maximum setting			10	12	dBm	
Output power, minimum setting (resolution)			-45		dBm	
Programmable output power range		55			dB	
Modulation 20dB bandwidth			2.7		MHz	
<b>BLE 2Mbps RF_Rx performance (<math>\pm 500</math>kHz deviation)*<sup>5</sup></b>						
Sensitivity	2Mbps		-93		dBm	
Frequency Offset Tolerance		-300		+200	kHz	
Co-channel rejection			10		dB	Wanted signal at -67dBm
In-band blocking rejection	+2/-2 MHz offset		-6/-6		dB	Wanted signal at -67dBm

<sup>4</sup> For actual sensitivity level of IEEE802.15.4 mode, please refer to 802.15.4 specification.

<sup>5</sup> For actual sensitivity level of BLE 2Mbps mode, please refer to Bluetooth specification.

Item	Sym.	Min	Typ.	Max	Unit	Condition
	+4/-4 MHz offset		-39/-38		dB	
	>4MHz offset		-42		dB	
Image rejection			-25		dB	Wanted signal at -67dBm; image frequency=RF_channel-3MHz
<b>BLE 2Mbps RF_Tx performance</b>						
Output power, maximum setting			10	12	dBm	
Output power, minimum setting (resolution)			-45		dBm	
Programmable output power range			55		dB	
Modulation 20dB bandwidth			2.5		MHz	
<b>BLE 500kbps RF_Rx performance (<math>\pm 250</math>kHz deviation)*<sup>6</sup></b>						
Sensitivity	500kbps		-99		dBm	
Frequency Offset Tolerance		-150		+50	kHz	
Co-channel rejection			1		dB	Wanted signal at -67dBm
In-band blocking rejection (Equal Modulation Interference)	+1/-1 MHz offset		-34/-36		dB	Wanted signal at -67dBm
	+2/-2 MHz offset		-42/-42		dB	
	>=3MHz offset		-42		dB	
Image rejection			-42		dB	Wanted signal at -67dBm; image frequency=RF_channel-2MHz

<sup>6</sup> For actual sensitivity level of BLE 500kbps mode, please refer to Bluetooth specification.

Item	Sym.	Min	Typ.	Max	Unit	Condition
<b>BLE 500kbps RF_Tx performance</b>						
Output power, maximum setting			10	12	dBm	
Output power, minimum setting (resolution)			-45		dBm	
Programmable output power range		55			dB	
Modulation 20dB bandwidth			1.4		MHz	
<b>BLE 125kbps RF_Rx performance (<math>\pm 250</math>kHz deviation)*<sup>7</sup></b>						
Sensitivity	125kbps		-101		dBm	
Frequency Offset Tolerance		-150		+50	kHz	
Co-channel rejection			3		dB	Wanted signal at -67dBm
In-band blocking rejection (Equal Modulation Interference)	+1/-1 MHz offset		-32/-34		dB	Wanted signal at -67dBm
	+2/-2 MHz offset		-42/-42		dB	
	$\geq 3$ MHz offset		-42		dB	
Image rejection			-42		dB	Wanted signal at -67dBm; image frequency=RF_channel-2MHz
<b>BLE 125kbps RF_Tx performance</b>						
Output power, maximum setting			10	12	dBm	
Output power, minimum setting (resolution)			-45		dBm	
Programmable output power range		55			dB	

<sup>7</sup> For actual sensitivity level of BLE 125kbps mode, please refer to Bluetooth specification.

Item	Sym.	Min	Typ.	Max	Unit	Condition
Modulation 20dB bandwidth			1.4		MHz	
<b>RSSI</b>						
RSSI range		-100		10	dBm	
Resolution			1		dB	
<b>24MHz crystal<sup>8</sup></b>						
Nominal frequency (parallel resonant)	$f_{NOM}$		24		MHz	
Frequency tolerance	$f_{TOL}$	-20		+20	ppm	
Load capacitance	$C_L$	5	12	18	pF	Programmable on chip load cap
Equivalent series resistance	ESR		50	100	ohm	
<b>32.768kHz crystal</b>						
Nominal frequency (parallel resonant)	$f_{NOM}$		32.768		kHz	
Frequency tolerance	$f_{TOL}$	-100		+100	ppm	
Load capacitance	$C_L$	6	9	12.5	pF	Programmable on chip load cap
Equivalent series resistance	ESR		50	80	kohm	
<b>24MHz RC oscillator</b>						
Nominal frequency	$f_{NOM}$		24		MHz	
Frequency tolerance	$f_{TOL}$			1	%	On chip calibration
<b>32kHz RC oscillator</b>						
Nominal frequency	$f_{NOM}$		32		kHz	
Frequency tolerance	$f_{TOL}$			0.03	%	On chip calibration
Calibration time			3		ms	
<b>ADC</b>						

<sup>8</sup> Customer may choose load capacitance based on firmware calibration result, or Telink golden SoC calibration result.

Different protocols list different applicable crystal feature.

Item	Sym.	Min	Typ.	Max	Unit	Condition
Differential nonlinearity	DNL			1	LSB	10bit resolution mode
Integral nonlinearity	INL			2	LSB	10bit resolution mode
Signal-to-noise and distortion ratio	SINAD		70		dB	$f_{in}=1\text{kHz}$ , $f_s=16\text{kHz}$
Signal-to-noise	SNR		73		dB	
Effective Number of Bits	ENOB		10.5		bits	
Sampling frequency	$F_s$			200	ksps	

## 15.5 SPI characteristics

SPI timing information is shown below.

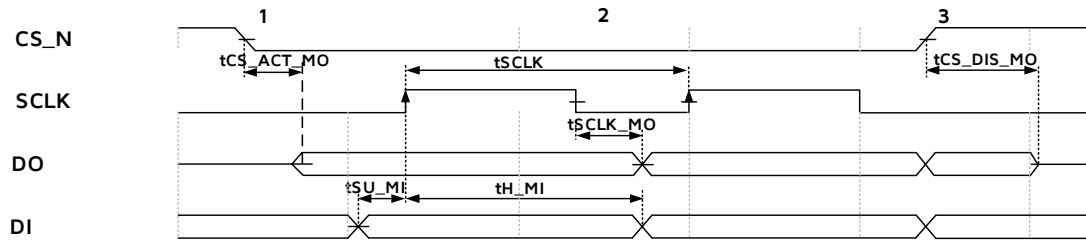


Figure 16- 1 SPI Timing Diagram, Master Mode

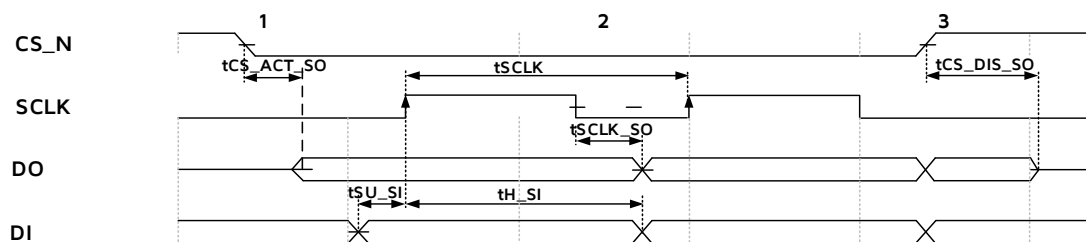


Figure 15- 2 SPI Timing Diagram, Slave Mode

Table 15- 5 SPI characteristics

(over process, voltage 1.9~3.6V, and Temperature Range=-40~+85°C)

Item	Sym.	Min	Typ.	Max	Unit	Condition
SCLK frequency	Fsclk			4	MHz	Slave
SCLK period	tSCLK		50		%	Master
DI setup time	tSU_SI	30			ns	Slave
	tSU_MI	90			ns	Master
DI hold time	tH_SI	10			ns	Slave
	tH_MI	90			ns	Master
CK low to DO valid	tSCLK_SO			30	ns	Slave
	tSCLK_MO			120	ns	Master
CS_N disable to DO	tCS_ACT_SO	60			ns	Master/Slave
	tCS_ACT_MO				ns	Master
CS_N disable to DO	tCS_DIS_SO					
	tCS_DIS_MO					

## 15.6 I2C characteristics

I2C timing information is shown below.

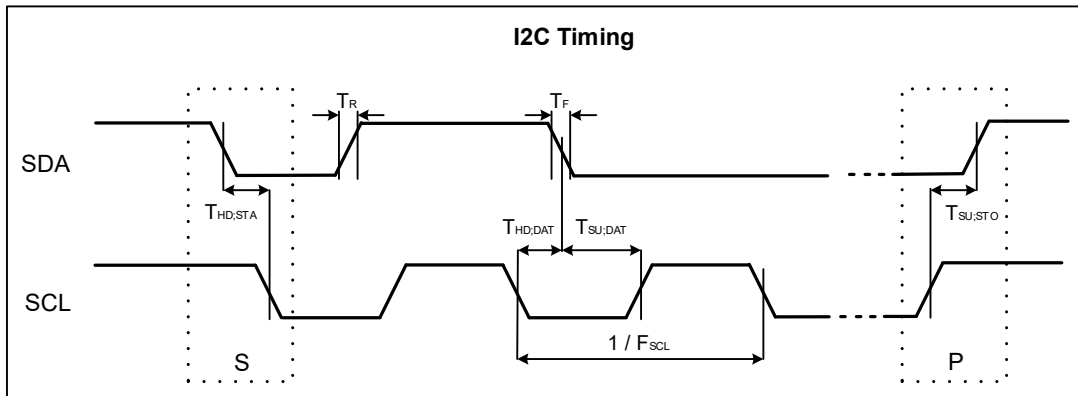


Figure 15- 3 I2C Timing Diagram

Table 15- 6 I2C characteristics

(over process, voltage 1.9~3.6V, and Temperature Range=-40~+85°C)

Item	Sym.	Standard mode		Fast mode		Unit	Condition
		Min	Max	Min	Max		
SCL frequency	$F_{SCL}$		100		400	kHz	5kohm pull-up resistor for standard mode; 2kohm pull-up resistor for fast mode <sup>Note</sup>
Rise time of SDA and SCL signals	$T_R$		1000		300	ns	
Fall time of SDA and SCL signals	$T_F$		300		300	ns	
START condition hold time	$T_{HD,STA}$	4		0.6		$\mu s$	
Data hold time	$T_{HD,DAT}$	0	3.45		0.9	$\mu s$	
Data setup time	$T_{SU,DAT}$	250		100		ns	
STOP condition setup time	$T_{SU,STO}$	4		0.6		$\mu s$	

**\*NOTE:** Recommended pull-up resistor: 3.3kohm

## 15.7 Flash characteristics

Table 15- 7 Flash memory characteristics

(Temperature Range = -40°C~+85°C)

Item	Sym.	Min	Typ.	Max	Unit	Condition
Retention period		20			year	
Number of erase cycles		100k			cycle	
VDD for programming		1.65		2.0	V	Note this refers to the SoC supply
Sector size			4		kB	
Page programming time	TPP		1.6	6	ms	
Sector erase time	TSE		150	500	ms	
Block erase time (32kB/64kB)	TBE		0.5/0.8	2.0/3.0	s	
Program current	I <sub>P</sub>			10	mA	
Erase current	I <sub>E</sub>			10	mA	

## 15.8 Thermal characteristics

Thermal parameters are measured according to JEDEC standard.

Table 15- 8 Thermal characteristics  
(Ambient Temp=105°C, 1SOP:2-layer PCB)

Parameter	Min	Typ	Max	Unit
Theta-Ja	-	139.3	-	°C/W
Tj	-	113.5	-	°C
Tc	-	113.4	-	°C

Table 15- 9 Thermal characteristics  
(Ambient Temp=105°C, 1SOP:4-layer PCB)

Parameter	Min	Typ	Max	Unit
Theta-Ja	-	85.2	-	°C/W
Tj	-	110.2	-	°C
Tc	-	109.9	-	°C

## 15.9 ESD characteristics

Table 15- 10 HBM/CDM Results

Model	Pin Combinations	ESD Sensitivity Pass:+/-2KV	V Class:2
HBM	IO vs VSS(+)	+2KV	ESDA/JEDEC JS-001-2017 Class-0A:0V-<125V Class-0B:125V-<250V Class-1A:250V-<500V Class-1B:500V-<1000V Class-1C:1000V-<2000V <b>Class-2:2000V-&lt;4000V</b> Class-3A:4000V-<8000V Class-3B: >=8000V
	IO vs VSS(-)	-2KV	
	IO vs VDD(+)	+2KV	
	IO vs VDD(-)	-2KV	
	IO vs IO(+)	+2KV	
	IO vs IO(-)	-2KV	
	VDD vs VSS(+)	+2KV	
	VDD vs VSS(-)	-2KV	
CDM	ALL Pin(+)	+500V	ESDA/JEDEC JS-002-2014 COA:0V-<125V
	ALL Pin(-)	-500V	

Model	Pin Combinations	ESD Sensitivity Pass:+/-2KV	V Class:2
			C0B:125V-<250V C1:250V-<500V C2A:500V-<750V C2B:750V-<1000V C3:>=1000V

Table 15- 11 LU Test Result

	Test Item	Mode	Spec	Value	Pass/Fail
Latch-Up	I-Test	Positive	+100mA	+100mA	Pass
		Negative	-100mA	-100mA	Pass
	Vsupply Over Voltage	Positive	1.5Vmax	5.445V	Pass

### 15.10 Storage condition

1. Shelf life in sealed moisture barrier bag (MBB): 12 months at <math> <30^{\circ}\text{C}</math> and <math> <90\%</math> relative humidity(RH).
2. After bag is open, devices that will be subjected to reflow or other high temperature process must be:
  - ✧ Mounted with 72 hours of factory conditions <math> <30^{\circ}\text{C}</math> and <math> \leq 60\%</math> relative humidity(RH), and
  - ✧ Stored per conditions of 10RH, and
  - ✧ Devices require bake for 24 hour at <math> 125^{\circ}\text{C}</math>, before mounting.

## 16 Reference Design

### 16.1 Application example for TLSR8251F512ET48

#### 16.1.1 Schematic

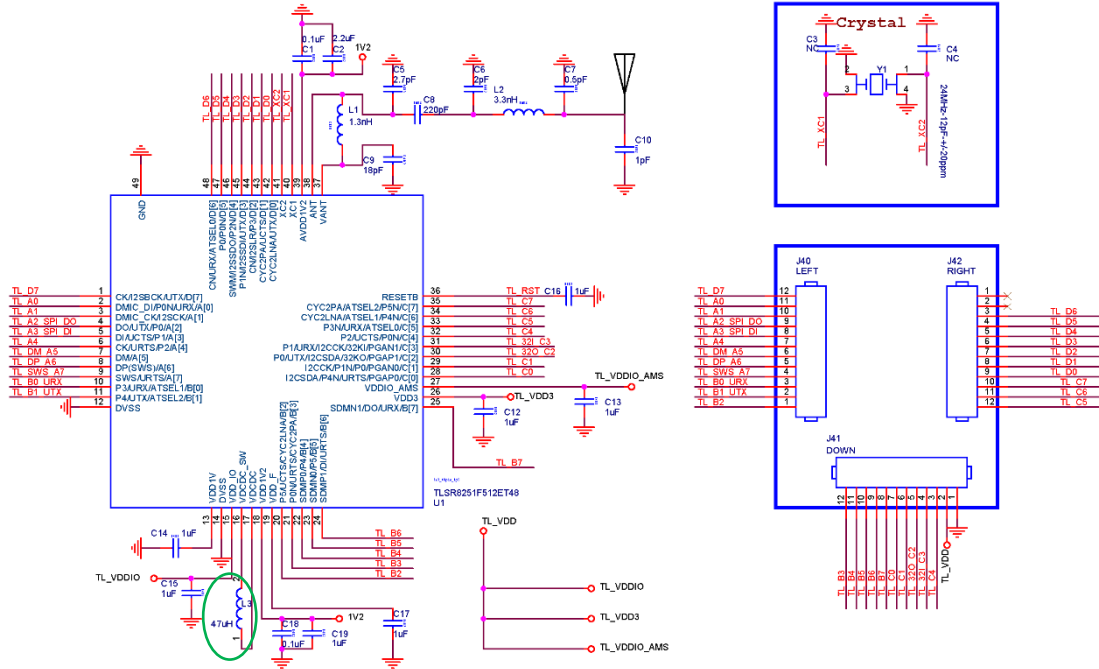


Figure 16- 1 Schematic for TLSR8251F512ET48

**\*Note:**

In the reference design, the L3 adopts 47μH inductor, which can ensure sensitivity index given in this Datasheet. User can also select 10μH or 6.8μH inductor instead as needed, but note that sensitivity will have 1~2dB or so difference.

**16.1.2 BOM (Bill of Material)**

Table 16- 1 BOM table for TLSR8251F512ET48

Quantity	Reference	Value	Description	PCB Footprint
2	C1,C18	0.1 $\mu$ F	Capacitance,X5R, $\pm$ 10%	0402
1	C2	2.2 $\mu$ F	Capacitance,X5R, $\pm$ 10%	0402
2	C3,C4	N.C.	Not mounted	0402
1	C5	2.7pF	Capacitance,C0G, $\pm$ 0.25pF	0402
1	C6	2pF	Capacitance,C0G, $\pm$ 0.1pF	0402
1	C7	0.5pF	Capacitance,C0G, $\pm$ 0.1pF	0402
1	C8	220pF	Capacitance,X7R, $\pm$ 10%	0402
1	C9	18pF	Capacitance,C0G, $\pm$ 5%	0402
1	C10	1pF	Capacitance,C0G, $\pm$ 0.25pF	0402
7	C12,C13,C14,C15,C16,C17,C19	1 $\mu$ F	Capacitance,X5R, $\pm$ 10%	0402
1	J40	LEFT	Pin headers	hdr254f-1x12x850
1	J41	DOWN	Pin headers	hdr254f-1x12x850
1	J42	RIGHT	Pin headers	hdr254f-1x12x850
1	L1	1.3nH	High frequency chip inductor, $\pm$ 0.3nH	0402
1	L2	3.3nH	High frequency chip inductor, $\pm$ 0.3nH	0402
1	L3	47 $\mu$ H	High frequency chip inductor, $\pm$ 10%	0805
1	U1	TLSR8251F512ET48	Multi-Standard Wireless on chip	QFN-48
1	Y1	24MHz	XTAL SMD 3225,24 MHz,Cl=12pF,total tol. $\pm$ 20ppm	XTAL_3225

## 16.2 Application example for TLSR8251F512ET32

### 16.2.1 Schematic

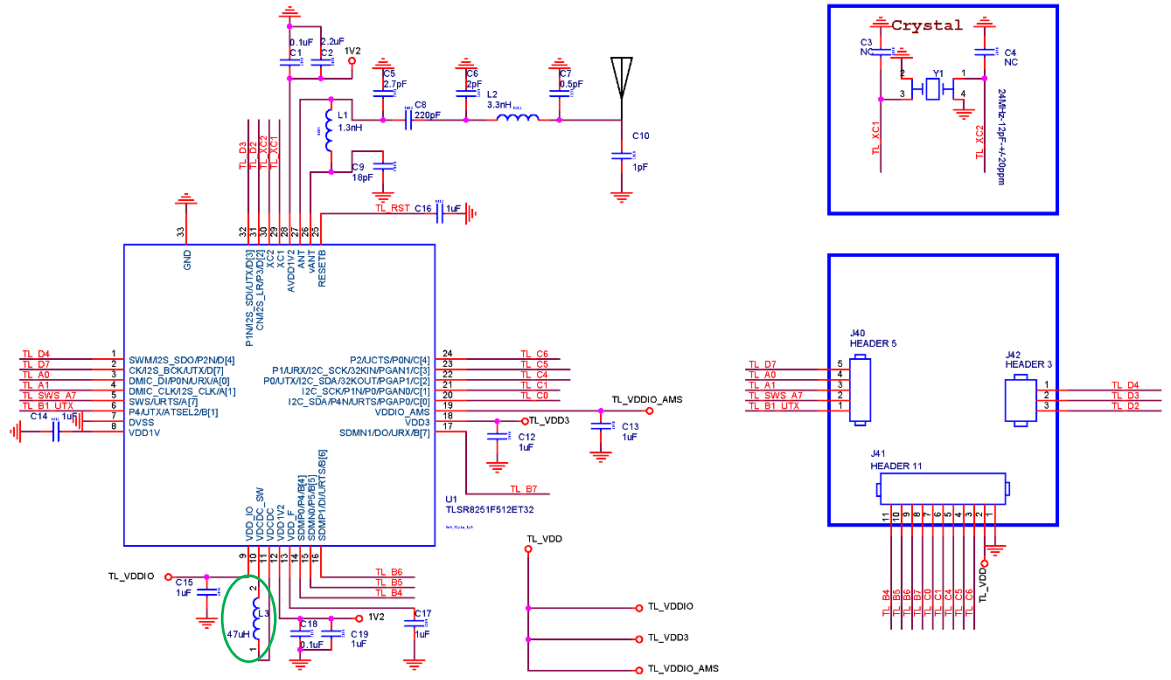


Figure 16- 2 Schematic for TLSR8251F512ET32

**\*Note:**

In the reference design, the L3 adopts 47μH inductor, which can ensure sensitivity index given in this Datasheet. User can also select 10μH or 6.8μH inductor instead as needed, but note that sensitivity will have 1~2dB or so difference.

**16.2.2 BOM (Bill of Material)**

Table 16- 2 BOM table for TLSR8251F512ET32

Quantity	Reference	Value	Description	PCB Footprint
2	C1,C18	0.1 $\mu$ F	Capacitance,X5R, $\pm$ 10%	0402
1	C2	2.2 $\mu$ F	Capacitance,X5R, $\pm$ 10%	0402
2	C3,C4	N.C.	Not mounted	0402
1	C5	2.7pF	Capacitance,COG, $\pm$ 0.25pF	0402
1	C6	2pF	Capacitance,COG, $\pm$ 0.1pF	0402
1	C7	0.5pF	Capacitance,COG, $\pm$ 0.1pF	0402
1	C8	220pF	Capacitance,X7R, $\pm$ 10%	0402
1	C9	18pF	Capacitance,COG, $\pm$ 5%	0402
1	C10	1pF	Capacitance,COG, $\pm$ 0.25pF	0402
7	C12,C13,C14,C15,C16,C17,C19	1 $\mu$ F	Capacitance,X5R, $\pm$ 10%	0402
1	J40	HEADER 5	Pin headers	hdr254f-1x8x850
1	J41	HEADER 11	Pin headers	hdr254f-1x8x850
1	J42	HEADER 3	Pin headers	hdr254f-1x8x850
1	L1	1.3nH	High frequency chip inductor, $\pm$ 0.3nH	0402
1	L2	3.3nH	High frequency chip inductor, $\pm$ 0.3nH	0402
1	L3	47 $\mu$ H	High frequency chip inductor, $\pm$ 10%	0805
1	U1	TLSR8251F512ET32	Multi-Standard Wireless on chip	QFN-32
1	Y1	24MHz	XTAL SMD 3225,24 MHz,Cl=12pF,total tol. $\pm$ 20ppm	XTAL_3225

### 16.3 Application example for TLSR8251F512ET24

#### 16.3.1 Schematic

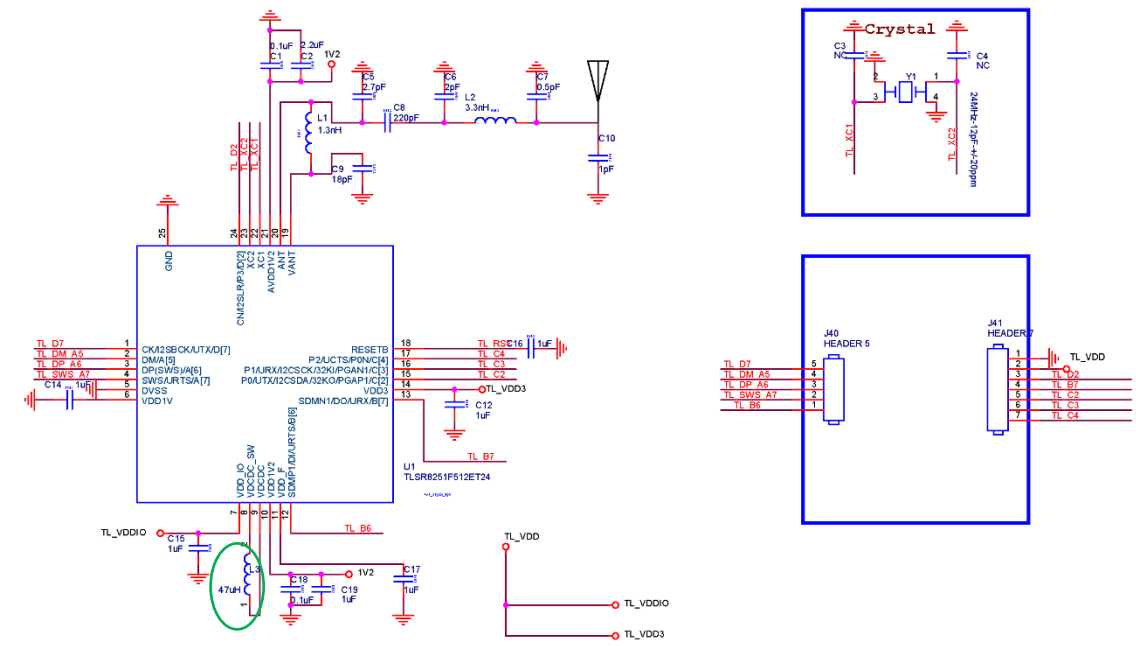


Figure 16- 3 Schematic for TLSR8251F512ET24

**\*Note:**

In the reference design, the L3 adopts 47μH inductor, which can ensure sensitivity index given in this Datasheet.


**16.3.2 BOM (Bill of Material)**

Table 16- 3 BOM table for TLSR8251F512ET24

Quantity	Reference	Value	Description	PCB Footprint
2	C1,C18	0.1 $\mu$ F	Capacitance,X5R, $\pm$ 10%	0402
1	C2	2.2 $\mu$ F	Capacitance,X5R, $\pm$ 10%	0402
2	C3,C4	N.C.	Not mounted	0402
1	C5	2.7pF	Capacitance,C0G, $\pm$ 0.25pF	0402
1	C6	2pF	Capacitance,C0G, $\pm$ 0.1pF	0402
1	C7	0.5pF	Capacitance,C0G, $\pm$ 0.1pF	0402
1	C8	220pF	Capacitance,X7R, $\pm$ 10%	0402
1	C9	18pF	Capacitance,C0G, $\pm$ 5%	0402
1	C10	1pF	Capacitance,C0G, $\pm$ 0.25pF	0402
6	C12,C14,C15,C16,C17,C19	1 $\mu$ F	Capacitance,X5R, $\pm$ 10%	0402
1	J40	HEADER 5	Pin headers	hdr254f-1x8x850
1	J41	HEADER 7	Pin headers	hdr254f-1x8x850
1	L1	1.3nH	High frequency chip inductor, $\pm$ 0.3nH	0402
1	L2	3.3nH	High frequency chip inductor, $\pm$ 0.3nH	0402
1	L3	47 $\mu$ H	High frequency chip inductor, $\pm$ 10%	0805
1	U1	TLSR8251F512ET24	Multi-Standard Wireless on chip	QFN-24
1	Y1	24MHz	XTAL SMD 3225,24 MHz,C1=12pF,total tol. $\pm$ 20ppm	XTAL_3225

## Looking for pricing, stock, or lifecycle information?

Click below to explore more details on WIN SOURCE:

 [View 36000](#) on WIN SOURCE

 [Manufacturer](#) Information

## Optimize Your Supply Chain with WIN SOURCE Solutions

-  Global Sourcing Solution
-  Obsolete Management
-  Cost Control Management
-  Shortage Management
-  Alternative Solution
-  Excess Inventory Management