



**THE DATASHEET OF**  
**NX3215SA-32.768K-EXS00A-MU00003**



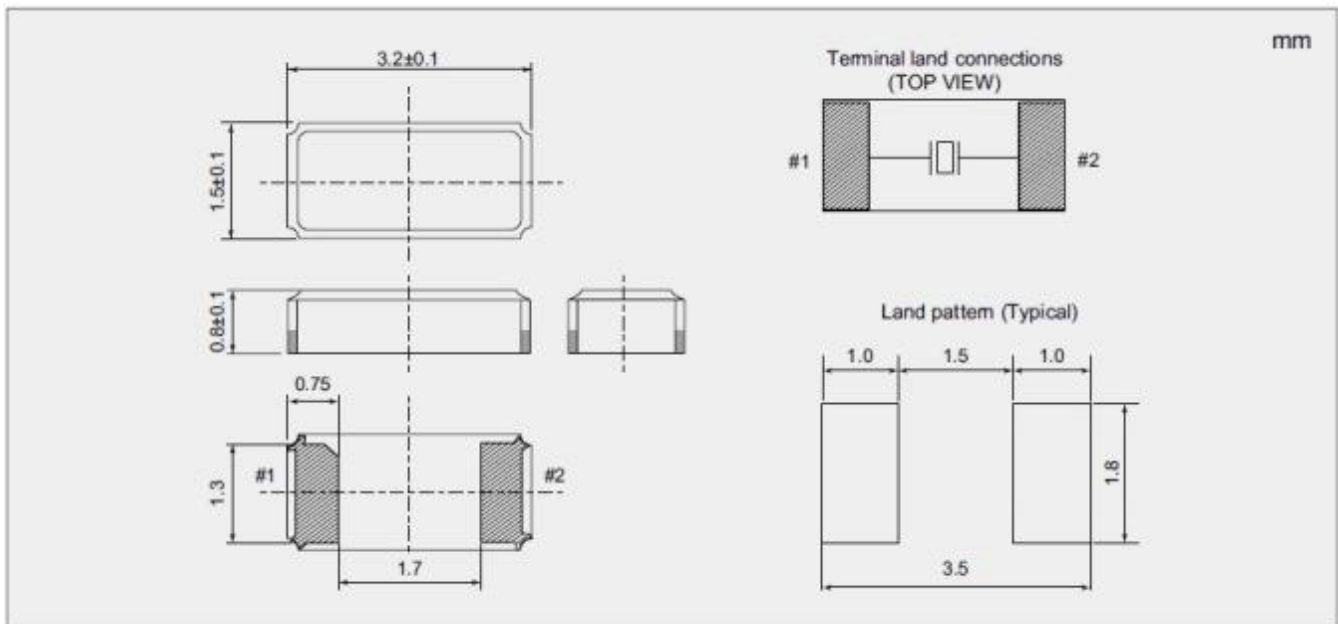
# Specification of Quartz Crystal Units

- 1 NDK Part Number NX3215SA-32.768kHz-EXS00A-MU00003
- 2 Chipset Maker STMicroelectronics
- 3 Application BLE
- 4 Chipset Name BlueNRG
- 5 NDK Specification Number EXS00A-MU00003
- 6 Type NX3215SA
- 7 Electrical Characteristics

	Parameters	SYM.	Electrical Spec.				Notes
			min	typ	max	Units	
1	Nominal Frequency (f <sub>nom</sub> )	f <sub>nom</sub>	32.768			kHz	
2	Overtone order	-	Fundamental			-	
3	Frequency tolerance	-	-20	-	+20	ppm	at +25°C
4	Turning Point	-	+25+/-5			°C	
5	Temperature coefficient	-	-0.04 Max.			ppm/°C <sup>2</sup>	
6	Equivalent Series Resistance	R <sub>r</sub>	-	-	90	kΩ	Network Analyzer(CNA-LF made in Transat corp.)
7	Load capacitance	CL	-	12.5	-	pF	Network Analyzer(CNA-LF made in Transat corp.)
8	Level of drive	-	-	0.1	0.5	μW	
9	Insulation resistance	-	500	-	-	Ω	*1.
10	Operating temperature range	Topr	-40	-	+85	°C	
11	Storage temperature range	Tstr	-40	-	+85	°C	

\*1. Terminal to terminal insulation resistance must be 500MΩ (Min.) when DC100V ±15V is applied.

### Dimension



## Looking for pricing, stock, or lifecycle information?

Click below to explore more details on WIN SOURCE:

 [View NX3215SA-32.768K-EXS00A-MU00003 on WIN SOURCE](#)

 [NDK Information](#)

## Optimize Your Supply Chain with WIN SOURCE Solutions

-  Global Sourcing Solution
-  Obsolete Management
-  Cost Control Management
-  Shortage Management
-  Alternative Solution
-  Excess Inventory Management