

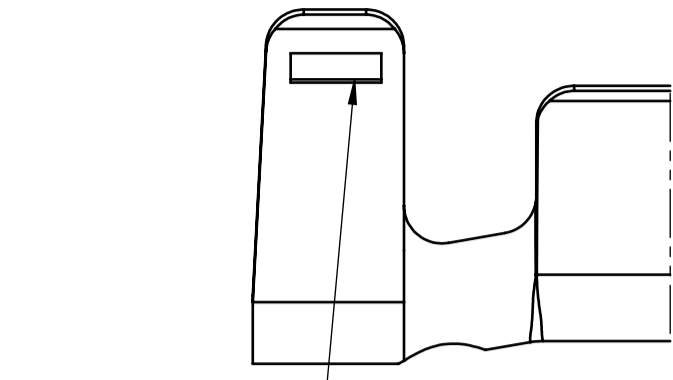


THE DATASHEET OF
7114441602



APPLICABLE WIRE GRIP SIZE IDENTIFICATION

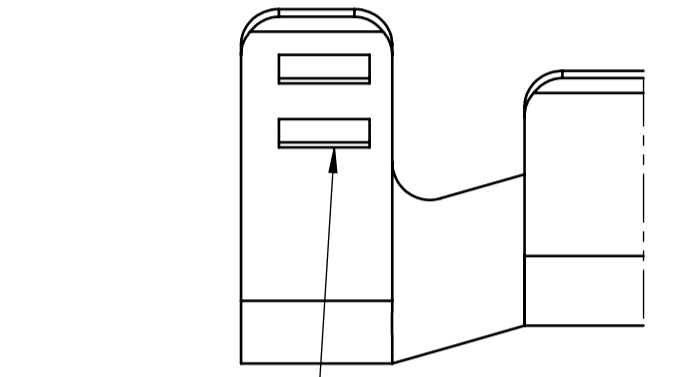
(5/1)



GRIP SIZE INDICATOR

7116-4120-02, ETC.

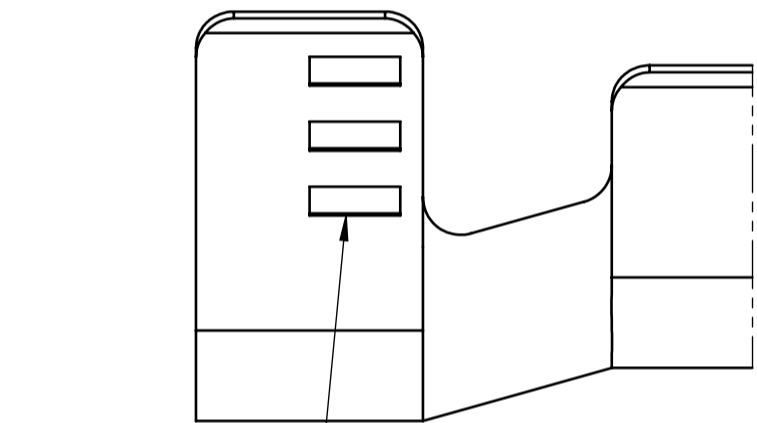
(5/1)



GRIP SIZE INDICATOR

7116-4121-02, ETC.

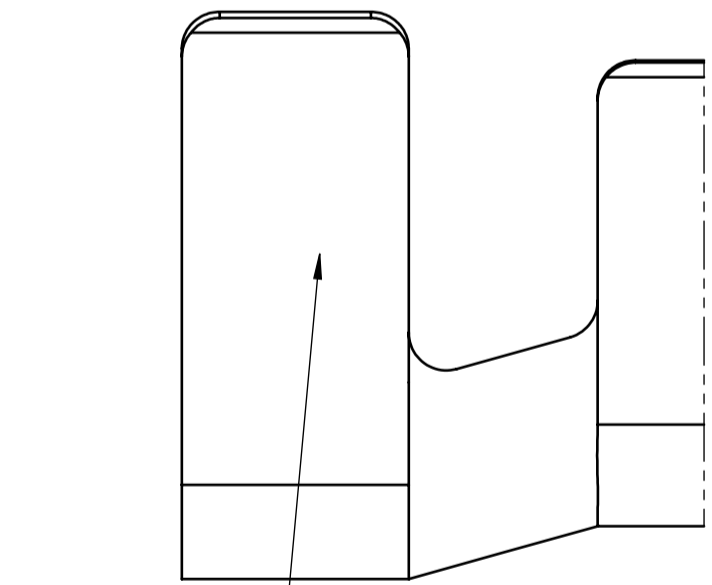
(5/1)



GRIP SIZE INDICATOR

7116-4122-02, ETC.

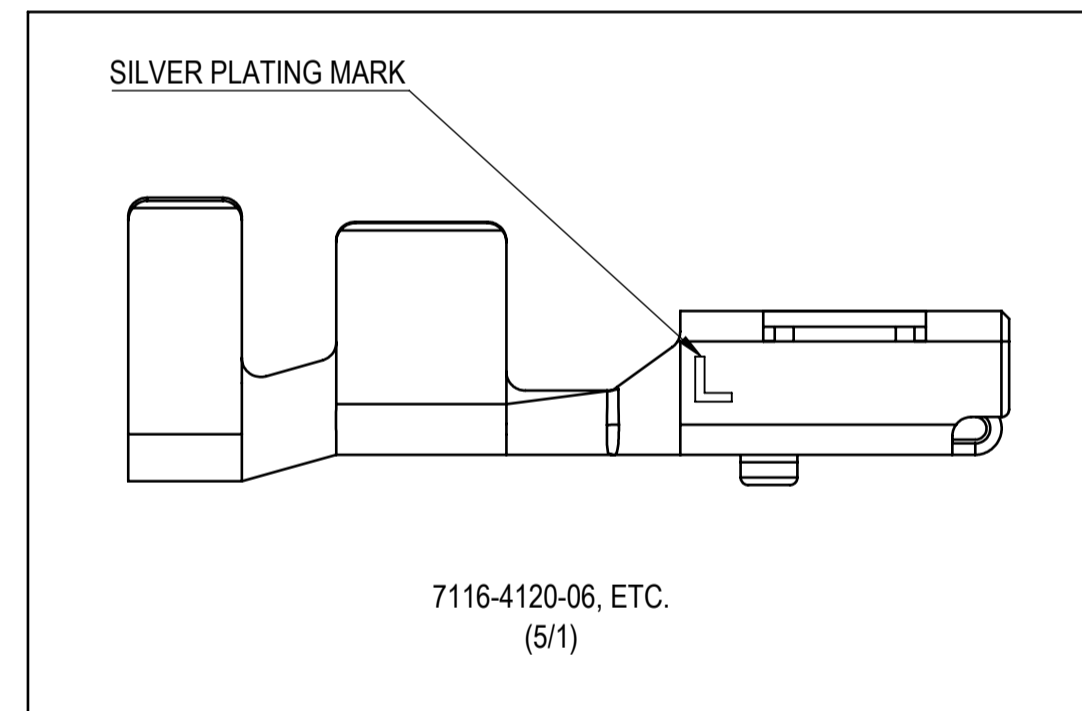
(5/1)



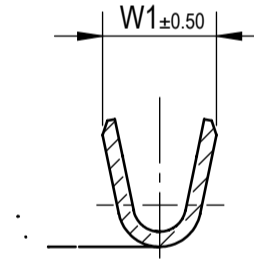
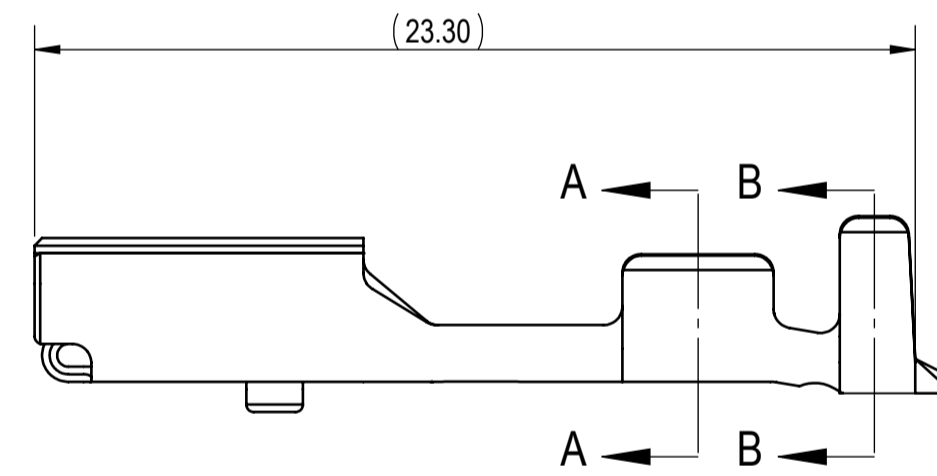
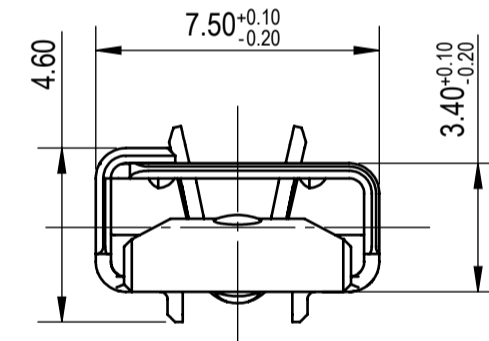
GRIP SIZE INDICATOR

7116-4124-02, ETC.

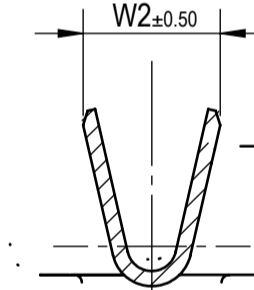
| LET | DATE | REVISION RECORD | NO. | CHKD |
|-----|------------|---|----------|------|
| △ | 08-17-2023 | REDRAWN TO LATEST STANDARD ALSO SILVER PLATING WAS ADDED. | C23-A609 | AC |
| △ | 08-28-1995 | NEW | C95-M160 | I.I |



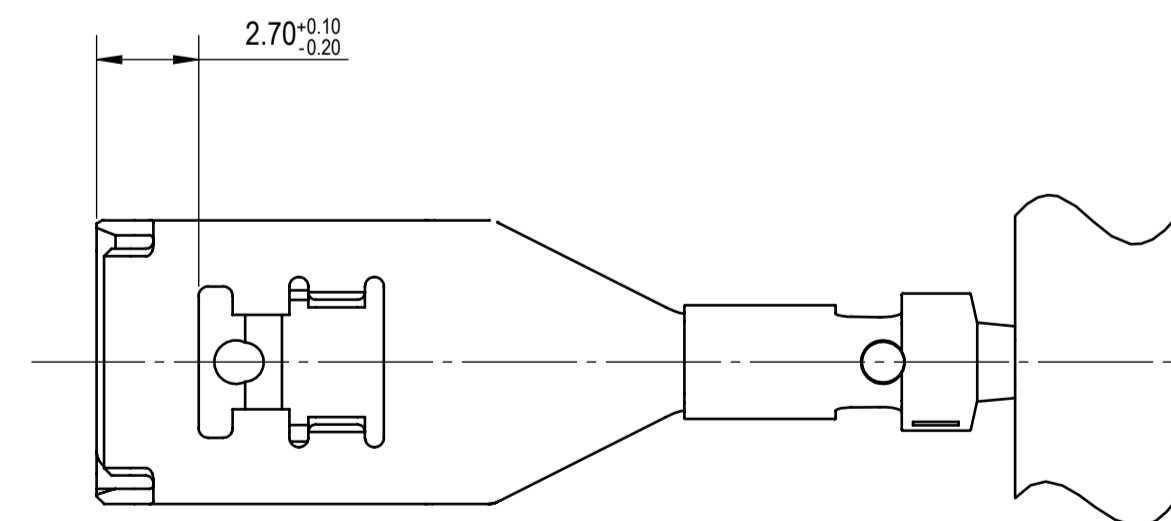
7116-4120-06, ETC.
(5/1)



SECTION A-A

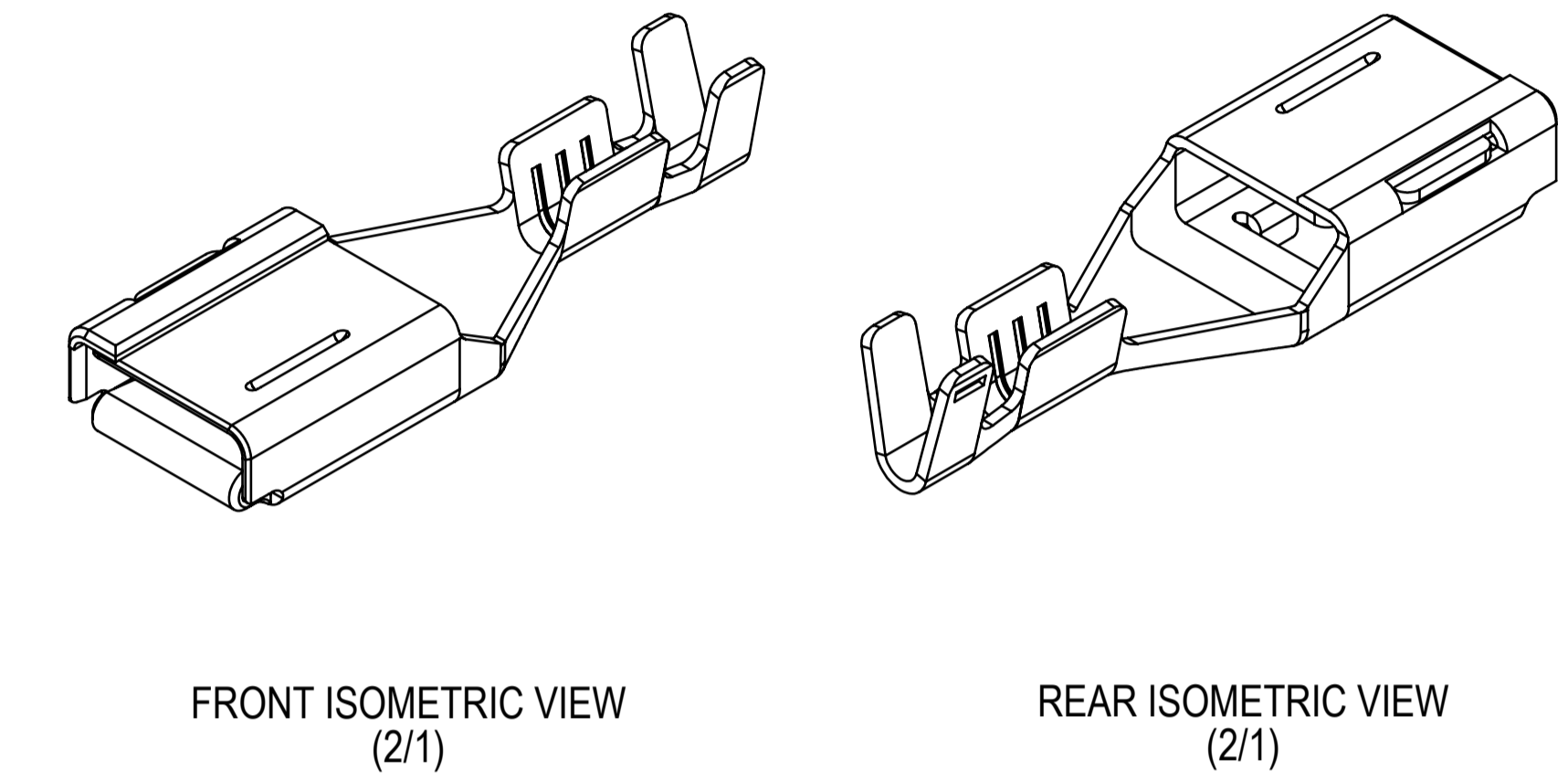


SECTION B-B



NOTES:

- PARTS MUST BE PURCHASED FROM YAZAKI.
- PARTS MUST BE FREE OF BURRS AND SHARP EDGES THAT MAY BE DETRIMENTAL TO SATISFACTORY ASSEMBLY, SAFE HANDLING OR FUNCTION OF THE PART.
- MATERIAL: COPPER ALLOY.
- PLATING: SEE TABLE.
- MATING PART NUMBER: SEE 7114-4120-02:R DRAWING.
- PART TO COMPLY WITH YPES-31-038 REQUIREMENTS.
- THIS DRAWING IS TO BE USED FOR INTERNAL YAZAKI PSW SUBMISSION.
- HANDLING MANUAL NUMBER: YPES-15-599E



FRONT ISOMETRIC VIEW
(2/1)

REAR ISOMETRIC VIEW
(2/1)

| PART NUMBER | PLATING | PLATING MARK | APPLICABLE WIRE SIZE (SINGLE CRIMP) | | GRIP DIMENSIONS | | MASS (g) |
|------------------------------|---------|--------------|-------------------------------------|----------------------|-----------------|------|----------|
| | | | METRIC (mm ²) | INSULATION O.D. (mm) | W1 | W2 | |
| 7116-4120-02 | Sn | - | 0.5-1.00 | (1.40-2.10) | 3.10 | 3.70 | (0.95) |
| 7116-4121-02 | Sn | - | 1.00-2.5 | (1.90-3.00) | 4.00 | 4.90 | (1.46) |
| 7116-4122-02 | Sn | - | 3.0-4.0 | (3.10-3.70) | 5.00 | 5.70 | (1.50) |
| 7116-4124-02 | Sn | - | 5.0-6.0 | (3.90-4.30) | 5.60 | 6.60 | (1.68) |
| 7116-4120-06 (NOT AVAILABLE) | Ag | L | 0.5-1.00 | (1.40-2.10) | 3.10 | 3.70 | (0.95) |
| 7116-4121-06 (NOT AVAILABLE) | Ag | L | 1.00-2.5 | (1.90-3.00) | 4.00 | 4.90 | (1.46) |
| 7116-4122-06 | Ag | L | 3.0-4.0 | (3.10-3.70) | 5.00 | 5.70 | (1.50) |
| 7116-4124-06 | Ag | L | 5.0-6.0 | (3.90-4.30) | 5.60 | 6.60 | (1.68) |
| 7196-2560-06 | Ag | L | 5.0-6.0 | (3.90-4.30) | 5.60 | 6.60 | (1.68) |

| | | | | | | | |
|-----------------------------------|--|---------------------------|--|----------------------------|-----------|----------------------------|-----------|
| CUSTOMER N/A CUSTOMER PART NO. | | CUSTOMER DWG NO. | | MATL SPEC. | SEE NOTES | TREAT. & FIN. | SEE NOTES |
| OFFICE YNA | | TRIAL PART NO. | | NAME 6.3mm SYSTEM UNSEALED | | | |
| VENDOR | | VENDOR NO. | | FEMALE TERMINAL | | | |
| DWG TYPE R | | DWG SOURCE 7116-4120-02:M | | DWG DATE 08-28-1995 | | PART NO. 7116-4120-02, ETC | |
| APPROVED | | CHECKED | | DESIGN | | DRAWN | |
| SPECIFIED | | MASS (SEE TABLE) | | N. AKEDA | | ANDRES CARDONA | |
| | | | | 05/26/1995 | | 08-17-2023 | |
| | | | | YAZAKI CORPORATION | | | |

| GENERAL TOLERANCE | | | | | | | | | | | |
|-------------------|-------|-------|-------|-------|-------|-------|-------|-------|-------|-----|------|
| A | ±0.15 | ±0.20 | ±0.30 | ±0.50 | ±0.75 | ±0.20 | ±0.30 | ±0.50 | ±2.50 | ±3° | 0.1 |
| B | ±0.20 | ±0.30 | ±0.55 | ±0.95 | ±1.40 | ±0.20 | ±0.30 | ±0.50 | ±2.50 | ±3° | 0.1 |
| C | ±0.30 | ±0.50 | ±0.80 | ±1.40 | ±2.00 | | | | | ±3° | 0.15 |

ISSUE MARK

Looking for pricing, stock, or lifecycle information?

Click below to explore more details on WIN SOURCE:

 [View 7114441602 on WIN SOURCE](#)

 [Yazaki Information](#)

Optimize Your Supply Chain with WIN SOURCE Solutions

-  Global Sourcing Solution
-  Obsolete Management
-  Cost Control Management
-  Shortage Management
-  Alternative Solution
-  Excess Inventory Management