



**THE DATASHEET OF
TT-PT-1000A-2050-11-AUNI**



SPECIFICATION
Of
TEMPERATURE SENSOR

PART NUMBER: **TT-PT1000A-2050-11-AuNi**

No. of pages: 1

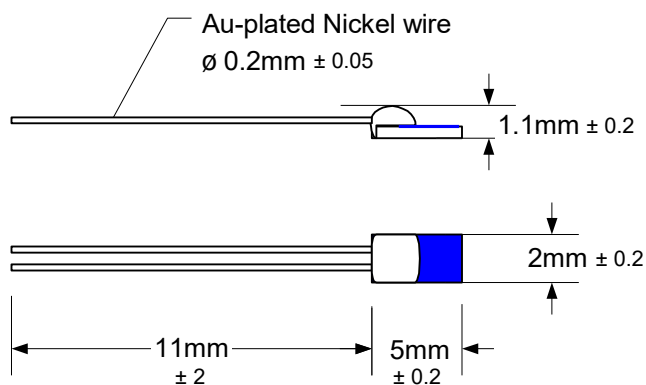
Date: **22.10.2018**

Revision: **00**

FEATURES:

No-load resistance at 0°C	1000 Ω
Tolerance Class	A
Tolerance range	-40°C ÷ 300°C
Max temperature	400°C
Response time (Time constant:63.2%)/sec	0.4 sec (stirred water)
Response time (Time constant:63.2%)/sec	4.8 sec (still air)
TCR	3851ppm/°C



DRAWING:



UNITS: [mm]

Looking for pricing, stock, or lifecycle information?

Click below to explore more details on WIN SOURCE:

-  [View TT-PT-1000A-2050-11-AUNI on WIN SOURCE](#)
-  [TEWA Sensors LLC Information](#)

Optimize Your Supply Chain with WIN SOURCE Solutions

-  Global Sourcing Solution
-  Obsolete Management
-  Cost Control Management
-  Shortage Management
-  Alternative Solution
-  Excess Inventory Management