



**THE DATASHEET OF
PXFC192207NF-V1-R500**

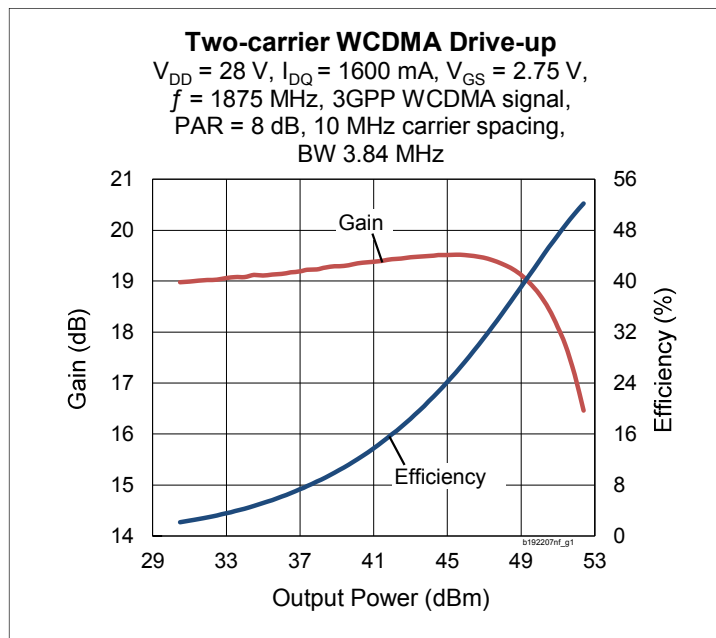


Thermally-Enhanced High Power RF LDMOS FET 220 W, 28 V, 1805 – 1990 MHz

Description

The PXFC192207NF is a 220-watt LDMOS FET intended for use in multi-standard cellular power amplifier applications in the 1805 to 1990 MHz frequency band. Features include input and output matching, high gain and a thermally-enhanced plastic package. Manufactured with Infineon's advanced LDMOS process, this device provides excellent thermal performance and superior reliability.

PXFC192207NF
Package PG-HBSOF-4-1



Features

- Broadband internal input and output matching
- Typical Pulsed CW performance, 1880 MHz, 28 V, 10 μs pulse width, 10% duty cycle, single side
 - Output power at $P_{1dB} = 220\text{ W}$
 - Efficiency = 56%
 - Gain = 19 dB
- Typical single-carrier WCDMA performance, 1880 MHz, 28 V, 10 dB PAR @ 0.01% CCDF, Test Model 1 with 64DPCH
 - Output power = 50 W avg
 - Efficiency = 34%
 - Gain = 20 dB
 - ACPR = -33 dBc @ 5 MHz
- Capable of handling 10:1 VSWR @ 28 V, 220 W (CW) output power
- Integrated ESD protection: Human Body Model, Class 1C (per JESD22-A114)
- Low thermal resistance
- Pb-free and RoHS compliant

RF Characteristics

Two-carrier WCDMA Specifications (tested in Infineon test fixture)

$V_{DD} = 28\text{ V}$, $I_{DQ} = 1600\text{ mA}$, $P_{OUT} = 50\text{ W avg}$, $f_1 = 1870\text{ MHz}$, $f_2 = 1880\text{ MHz}$, 3GPP signal, channel bandwidth = 3.84 MHz, peak/average = 8 dB @ 0.01% CCDF

Characteristic	Symbol	Min	Typ	Max	Unit
Gain	G_{ps}	17.5	18.7	—	dB
Drain Efficiency	η_D	27.5	30.3	—	%
Intermodulation Distortion	IMD	—	-32.7	-29	dBc

All published data at $T_{CASE} = 25^\circ\text{C}$ unless otherwise indicated

ESD: Electrostatic discharge sensitive device—observe handling precautions!

DC Characteristics

Characteristic	Conditions	Symbol	Min	Typ	Max	Unit
Drain-Source Breakdown Voltage	$V_{GS} = 0\text{ V}, I_{DS} = 10\text{ mA}$	$V_{(BR)DSS}$	65	—	—	V
Drain Leakage Current	$V_{DS} = 28\text{ V}, V_{GS} = 0\text{ V}$	I_{DSS}	—	—	1	μA
	$V_{DS} = 63\text{ V}, V_{GS} = 0\text{ V}$	I_{DSS}	—	—	10	μA
On-State Resistance	$V_{GS} = 10\text{ V}, V_{DS} = 0.1\text{ V}$	$R_{DS(on)}$	—	0.03	—	Ω
Operating Gate Voltage	$V_{DS} = 28\text{ V}, I_{DQ} = 1600\text{ mA}$	V_{GS}	2.3	2.6	2.9	V
Gate Leakage Current	$V_{GS} = 10\text{ V}, V_{DS} = 0\text{ V}$	I_{GSS}	—	—	1	μA

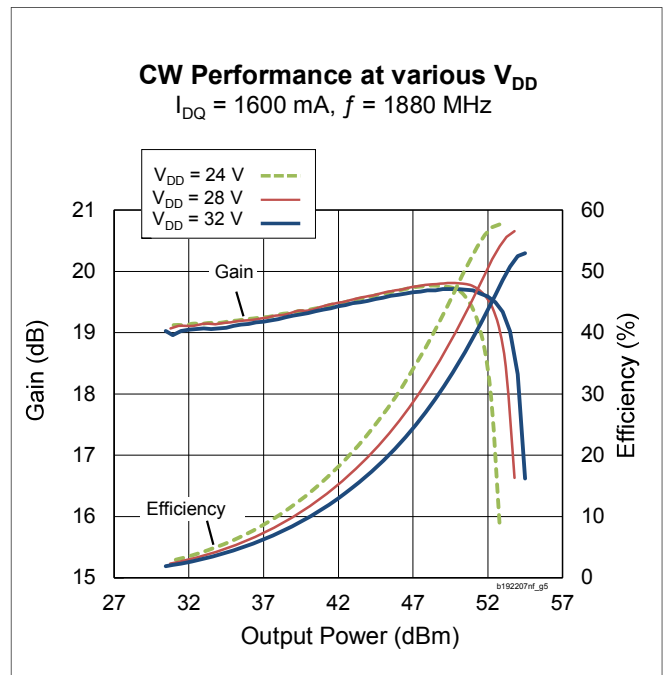
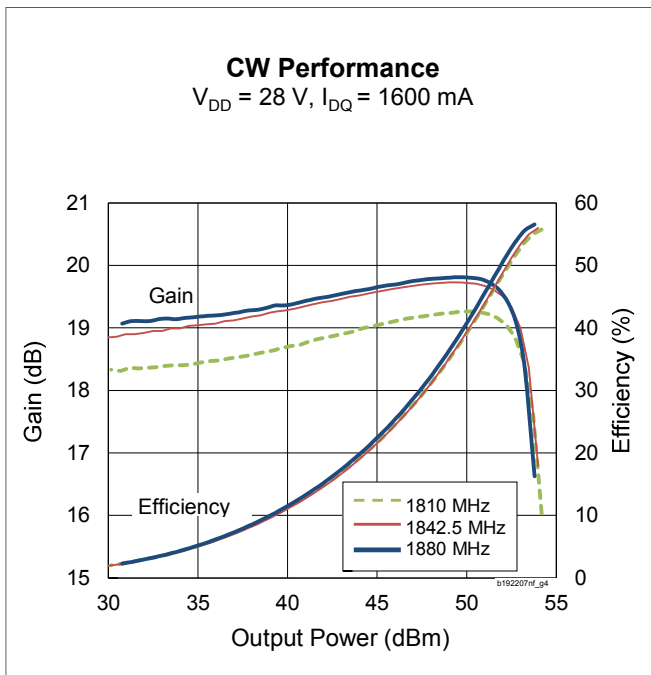
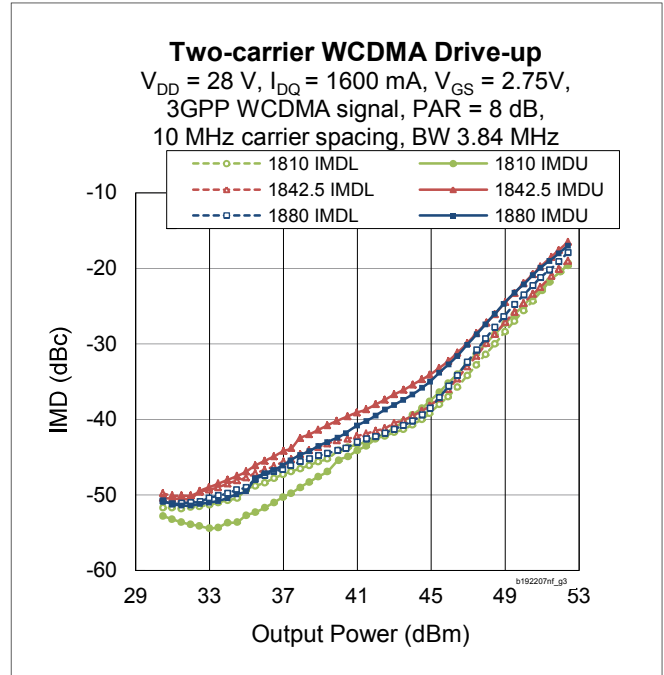
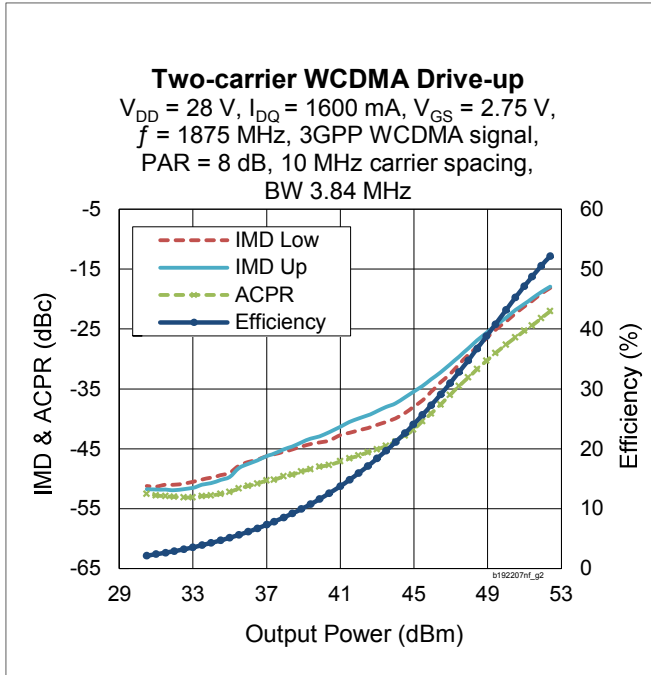
Maximum Ratings

Parameter	Symbol	Value	Unit
Drain-Source Voltage	V_{DSS}	65	V
Gate-Source Voltage	V_{GS}	-6 to +10	V
Operating Voltage	V_{DD}	0 to +32	V
Junction Temperature	T_J	225	$^{\circ}\text{C}$
Storage Temperature Range	T_{STG}	-65 to +150	$^{\circ}\text{C}$
Thermal Resistance ($T_{CASE} = 70^{\circ}\text{C}, 200\text{ W CW}$)	$R_{\theta JC}$	0.18	$^{\circ}\text{C/W}$

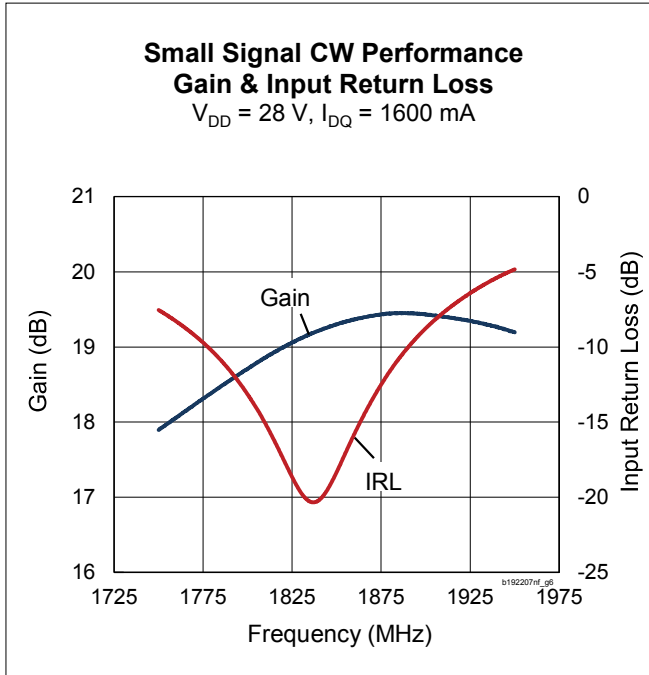
Ordering Information

Type and Version	Order Code	Package Description	Shipping
PXFC192207NF V1 R500	PXFC192207NFV1R500XUMA1	PG-HBSOF-4-1, plastic package	Tape & Reel, 500 pcs

Typical Performance (data taken in a production test fixture)



Typical Performance (cont.)

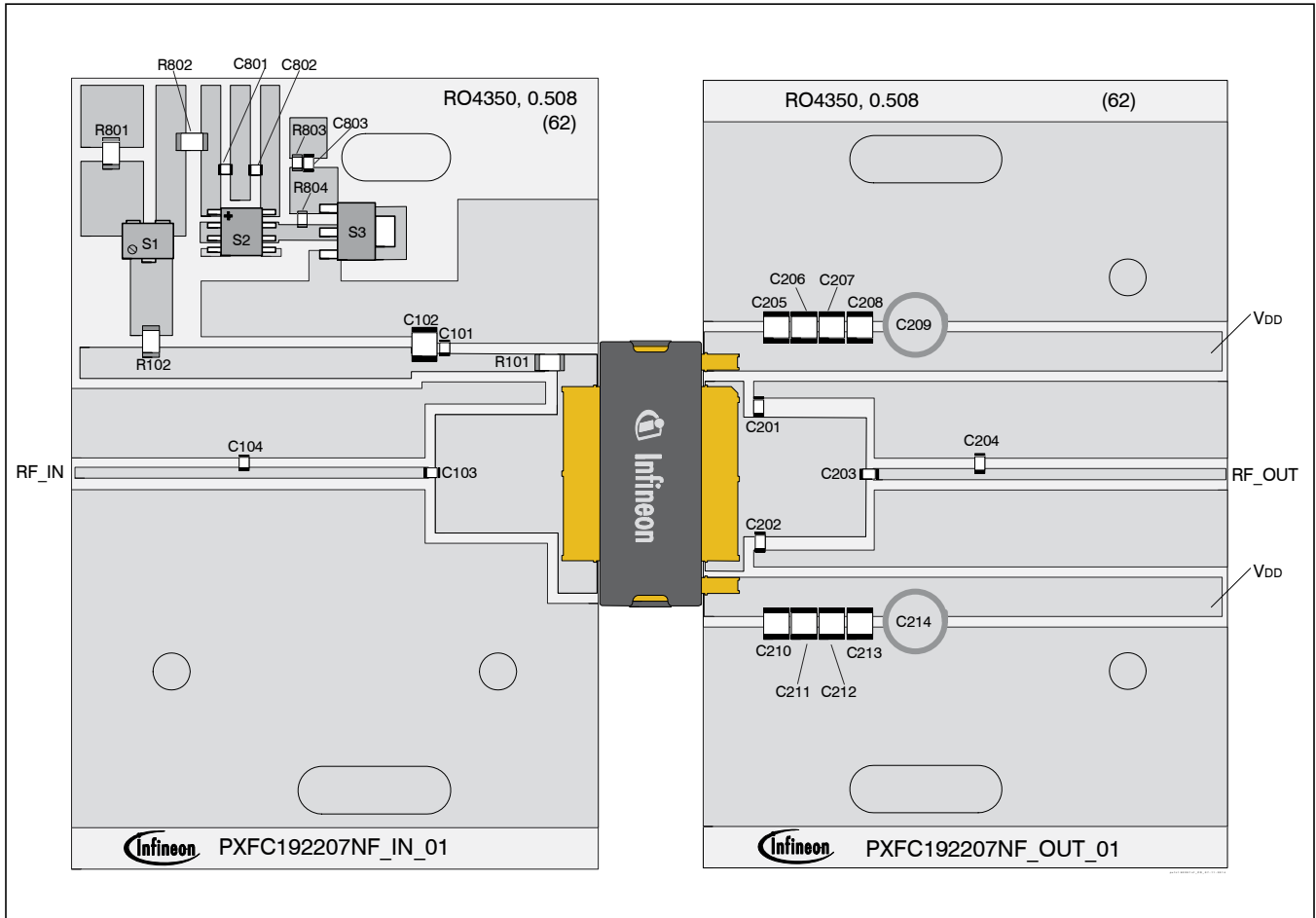


Load Pull Performance

Load Pull Performance – Pulsed CW signal: 10 μs , 10% duty cycle, 28 V, $I_{DQ} = 1600\text{ mA}$

Freq [MHz]	Zs [Ω]	P _{1dB}									
		Max Output Power					Max PAE				
		ZI [Ω]	Gain [dB]	P _{OUT} [dBm]	P _{OUT} [W]	PAE [%]	ZI [Ω]	Gain [dB]	P _{OUT} [dBm]	P _{OUT} [W]	PAE [%]
1805	1.1 – j3.9	0.7 – j3.5	16.9	54.6	289	51.4	1.7 – j2.9	19.9	52.7	187	64.2
1880	1.7 – j4.4	0.7 – j3.6	17.4	54.5	284	53.0	1.3 – j3.1	19.6	53.3	213	63.6
1930	2.6 – j4.9	0.7 – j3.6	17.3	54.4	274	50.9	1.3 – j2.9	20.1	52.4	175	61.8
1990	3.7 – j4.9	0.7 – j3.7	18	54.2	263	51.0	1.2 – j3.0	20.4	52.2	165	59.5

Reference Circuit , 1805 – 1880 MHz



Reference circuit assembly diagram (not to scale)

Reference Circuit (cont.)

Reference Circuit Assembly

DUT	PXFC192207NF V1
Test Fixture Part No.	LTN/PXFC192207NF V1
PCB	Rogers 4350, 0.508 mm [0.020"] thick, 2 oz. copper, $\epsilon_r = 3.66$, $f = 1805 - 1880$ MHz
Find Gerber files for this test fixture on the Infineon Web site at http://www.infineon.com/rfpower	

Components Information

Component	Description	Suggested Manufacturer	P/N
Input			
C101, C103	Capacitor, 18 pF	ATC	800A 180
C102	Capacitor, 10 μ F	Taiyo Yuden	UMK325C7106MM-T
C104	Capacitor, 0.8 pF	ATC	800B 0R8
C801, C802, C803	Capacitor, 1000 pF	Panasonic Electronic Components	ECJ-1VB1H102K
R101	Resistor, 5.6 Ω	Panasonic Electronic Components	ERJ-8RQJ5R6V
R102	Resistor, 100 Ω	Panasonic Electronic Components	ERJ-8GEYJ101V
R801	Resistor, 10 Ω	Panasonic Electronic Components	ERJ-8GEYJ100V
R802	Resistor, 100 Ω	Panasonic Electronic Components	ERJ-8GEYJ101V
R803	Resistor, 1.3K Ω	Panasonic Electronic Components	ERJ-3GEYJ132V
R804	Resistor, 1.2K Ω	Panasonic Electronic Components	ERJ-3GEYJ122V
S1	Potentiometer, 2K Ω	Bourns Inc.	3224W-202ETR-ND
S2	Voltage Regulator	Texas Instruments	LM7805
S3	Transistor	Infineon Technologies	BCP56
Output			
C201, C202	Capacitor, 0.5 pF	ATC	800A 0R5
C203	Capacitor, 18 pF	ATC	800A 180
C204	Capacitor, 0.2 pF	ATC	800A 0R2
C205, C206, C207, C208, C210, C211, C212, C213	Capacitor, 10 μ F	Taiyo Yuden	UMK325C7106MM-T
C209, C214	Capacitor, 10 μ F	Panasonic Electronic Components	EEE-HB1H100AP

Package Outline Specifications

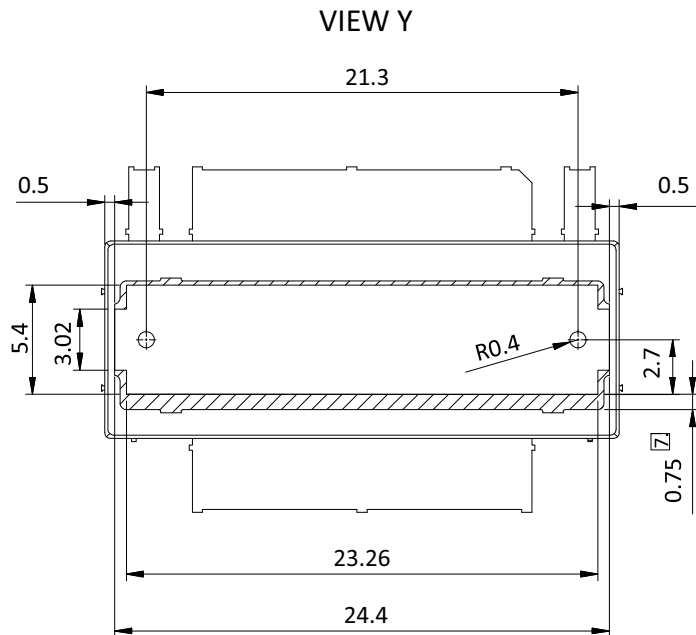


Diagram Notes—unless otherwise specified:

1. Mold protrusion of 0.30mm max per side not included
2. Dam Bar protrusion/ Metal protrusion shall not exceed 0.10mm max per side.
3. Metal protrusions are connected to source.
4. Interpret dimensions and tolerances per ISO 8015.
5. Dimensions are mm.
6. All tolerances ± 0.1 mm unless specified otherwise.
7. Exposed metal surface pre-plated, may not be covered by mold compound.
8. Fillets and radii: all radii are 0.3 mm max.
9. All metal surfaces pre-plated, except area of cut.
10. Lead thickness: 0.25 mm.
11. Gold plating thickness: 0.25 micron [10 microinch] max.
12. Pins: D – drain; G – gate; S – source; V – V_{DD} .

Find the latest and most complete information about products and packaging at the Infineon Internet page
<http://www.infineon.com/rfpower>

Revision History

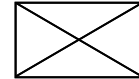
Revision	Date	Data Sheet Type	Page	Subjects (major changes since last revision)
01	2014-04-11	Advance	All	Data Sheet reflects advance specification for product development
01.1	2014-04-18	Advance	1 2	Corrected typo CCDD to CCDF in Features section, Corrected package to 500 pcs in ordering table
01.2	2014-04-25	Advance	3	Revised package outline
01.3	2014-07-28	Advance	3	Revised package outline & diagram notes
02	2014-07-31	Production	All All	Data Sheet reflects released product specification Revised all data and includes final specs, typical performance graphs, loadpull, reference circuit, updated package outline
02.1	2014-11-18	Production	7	Updated package outline & diagram notes

We Listen to Your Comments

Any information within this document that you feel is wrong, unclear or missing at all?
Your feedback will help us to continuously improve the quality of this document.
Please send your proposal (including a reference to this document) to:

highpowerRF@infineon.com

To request other information, contact us at:
+1 877 465 3667 (1-877-GO-LDMOS) USA
or +1 408 776 0600 International



Edition 2014-11-18

Published by
Infineon Technologies AG
85579 Neubiberg, Germany

© 2014 Infineon Technologies AG
All Rights Reserved.

Legal Disclaimer

The information given in this document shall in no event be regarded as a guarantee of conditions or characteristics. With respect to any examples or hints given herein, any typical values stated herein and/or any information regarding the application of the device, Infineon Technologies hereby disclaims any and all warranties and liabilities of any kind, including without limitation, warranties of non-infringement of intellectual property rights of any third party.

Information

For further information on technology, delivery terms and conditions and prices, please contact the nearest Infineon Technologies Office (www.infineon.com/rfpower).



Warnings

Due to technical requirements, components may contain dangerous substances. For information on the types in question, please contact the nearest Infineon Technologies Office.

Infineon Technologies components may be used in life-support devices or systems only with the express written approval of Infineon Technologies, if a failure of such components can reasonably be expected to cause the failure of that life-support device or system or to affect the safety or effectiveness of that device or system. Life support devices or systems are intended to be implanted in the human body or to support and/or maintain and sustain and/or protect human life. If they fail, it is reasonable to assume that the health of the user or other persons may be endangered.

Looking for pricing, stock, or lifecycle information?

Click below to explore more details on WIN SOURCE:

-  [View PXFC192207NF-V1-R500 on WIN SOURCE](#)
-  [Cree/Wolfspeed Information](#)

Optimize Your Supply Chain with WIN SOURCE Solutions

-  Global Sourcing Solution
-  Obsolete Management
-  Cost Control Management
-  Shortage Management
-  Alternative Solution
-  Excess Inventory Management