



**THE DATASHEET OF
S8411-45R**



Customer Information Sheet

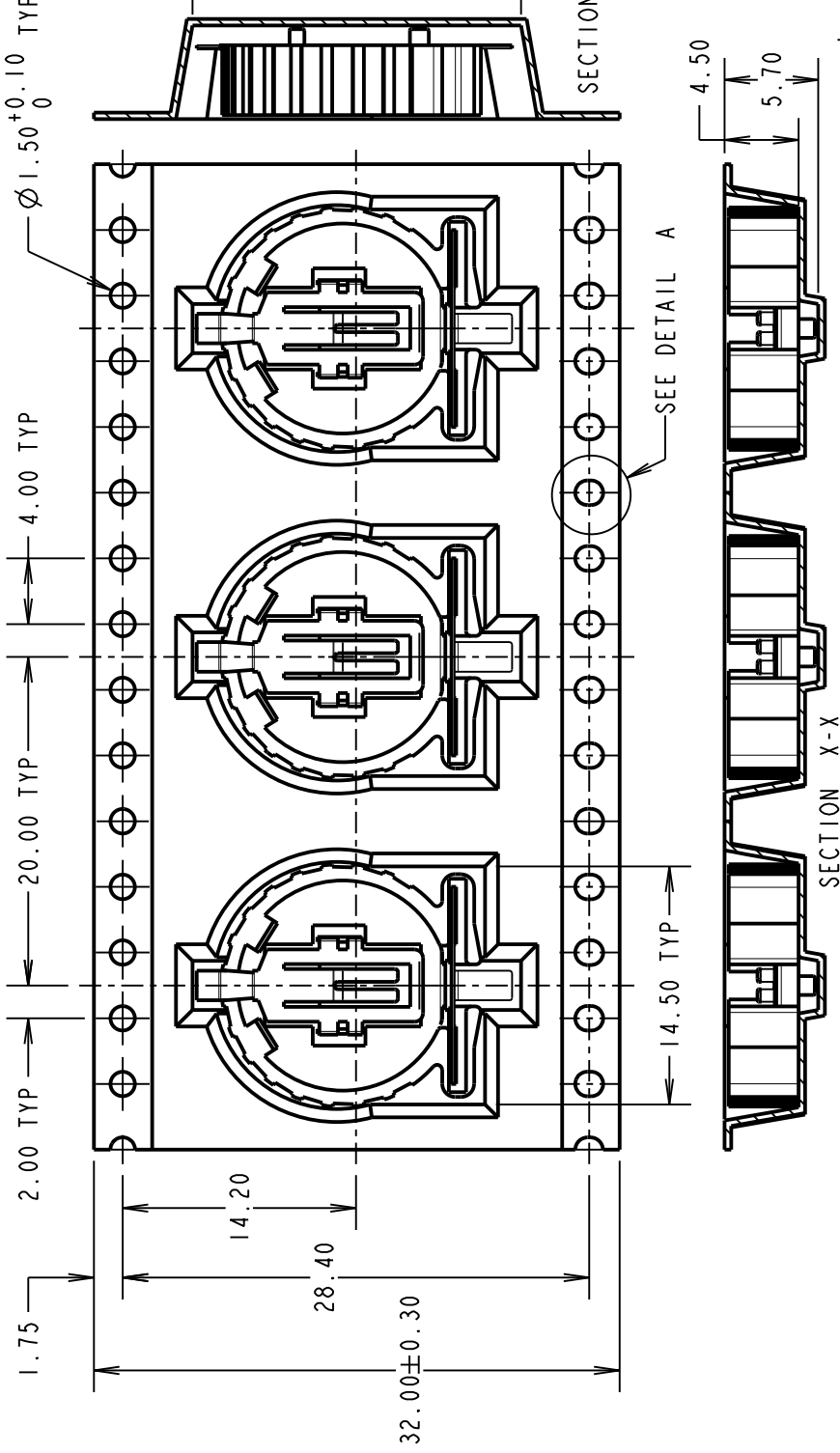
DRAWING No.: S8411-45R SHEET 3 OF 4

IF IN DOUBT - ASK

NOT TO SCALE

Ⓒ

THIRD ANGLE PROJECTION



- NOTES:
1. FOR CONNECTOR DIMENSIONS SEE SHEET 4.
 2. QUANTITY PER REEL = 500.
 3. TAPE AND REELING TO BE IN ACCORDANCE WITH EIA-481 (ELECTRONIC INDUSTRIES ASSOCIATION).

HARWIN

www.harwin.com
technical@harwin.com

THIS DRAWING AND ANY INFORMATION OR DESCRIPTIVE MATTER SET OUT HEREON ARE CONFIDENTIAL AND COPYRIGHT PROPERTY OF THE HARWIN GROUP AND MUST NOT BE DISCLOSED, LOANED, COPIED OR USED FOR MANUFACTURING, TENDERING OR FOR ANY OTHER PURPOSE WITHOUT THEIR WRITTEN PERMISSION.

TOLERANCES
 X. = ± 1mm
 X.X = ± 0.25mm
 X.XX = ± 0.10mm
 X.XXX = ± 0.01mm
 ANGLES = ± 5°
 UNLESS STATED

MATERIAL: SEE SHEET 4
 FINISH: SEE SHEET 4
 S/AREA: mm²

DETAIL A
 SCALE 4.5

1.50 +0.10 / 0

Customer Information

THIRD ANGLE P

DRAWING No.: S8411-45R SHEET 4 OF 4

IF IN DOUBT - ASK

NOT TO SCALE

Ⓒ

THIRD ANGLE P

SPECIFICATIONS:

MATERIAL: PPS, UL94V-0, BROWN
 Moulding: PPS, UL94V-0, BROWN
 CONTACT: PHOSPHOR BRONZE

FINISH:

CONTACTS = GOLD FLASH OVER NICKEL

ELECTRICAL:

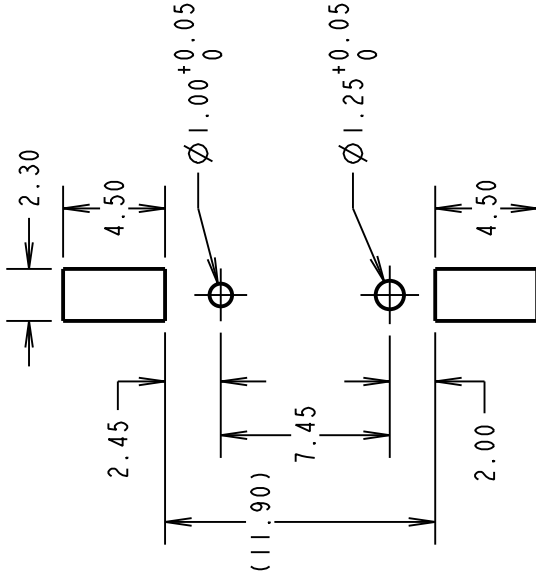
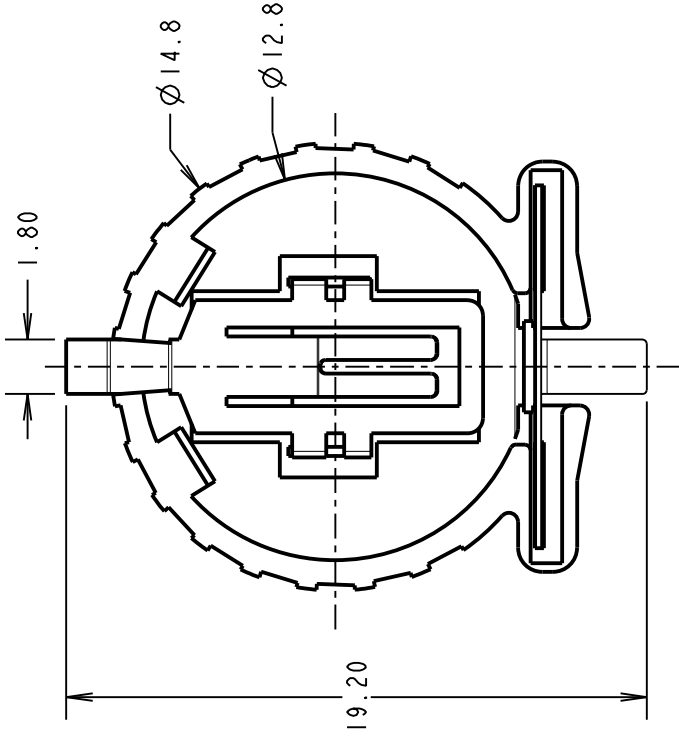
CONTACT RESISTANCE = 12mΩ

INSULATION RESISTANCE = 500MΩ

DIELECTRIC VOLTAGE = 500V AC FOR 1 MINUTE

ENVIRONMENTAL:

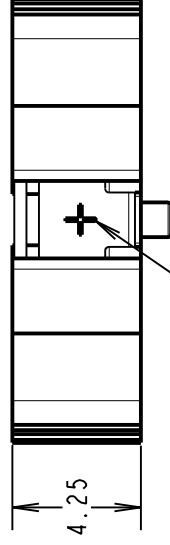
OPERATING TEMPERATURE = -55°C TO + 105°C



RECOMMENDED PCB LAYOUT

NOTES:

- SUITABLE FOR THE FOLLOWING COIN CELL: CR1220.
- ALL TOLERANCES ARE: X.X = ±0.25
 X.XX = ±0.10
 X.XXX = ±0.01mm UNLESS OTHERWISE STATED.



POLARITY MARKING, FOR DRAWING ILLUSTRATION ONLY

HARWIN

www.harwin.com

technical@harwin.com

THIS DRAWING AND ANY INFORMATION OR DESCRIPTIVE MATTER SET OUT HEREON ARE CONFIDENTIAL AND COPYRIGHT PROPERTY OF THE HARWIN GROUP AND MUST NOT BE DISCLOSED, LOANED, COPIED OR USED FOR MANUFACTURING, TENDERING OR FOR ANY OTHER PURPOSE WITHOUT THEIR WRITTEN PERMISSION.

TOLERANCES

X = ±1mm
 X.X = ±0.25mm
 X.XX = ±0.10mm
 X.XXX = ±0.01mm

ANGLES = ±5°

UNLESS STATED

MATERIAL:

SEE ABOVE

FINISH:



SEE ABOVE

S/AREA:

mm

Looking for pricing, stock, or lifecycle information?

Click below to explore more details on WIN SOURCE:

-  [View S8411-45R on WIN SOURCE](#)
-  [Harwin Inc. Information](#)

Optimize Your Supply Chain with WIN SOURCE Solutions

-  Global Sourcing Solution
-  Obsolete Management
-  Cost Control Management
-  Shortage Management
-  Alternative Solution
-  Excess Inventory Management