



**THE DATASHEET OF
SM6S13AHE3_A/I**



Surface Mount PAR[®] Transient Voltage Suppressors

High Temperature Stability and High Reliability Conditions



DO-218AB

Cathode Anode

| PRIMARY CHARACTERISTICS | |
|---------------------------------|------------------|
| V_{WM} | 10 V to 36 V |
| V_{BR} | 11.1 V to 44.2 V |
| P_{PPM} (10 x 1000 μ s) | 4600 W |
| P_{PPM} (10 x 10 000 μ s) | 3600 W |
| P_D | 6 W |
| I_{FSM} | 600 A |
| T_J max. | 175 °C |
| Polarity | Unidirectional |
| Package | DO-218AB |

FEATURES

- Junction passivation optimized design passivated anisotropic rectifier technology
- $T_J = 175$ °C capability suitable for high reliability and automotive requirement
- Available in unidirectional polarity only
- Low leakage current
- Low forward voltage drop
- High surge capability
- Meets ISO7637-2 surge specification (varied by test condition)
- Meets MSL level 1, per J-STD-020, LF maximum peak of 245 °C
- AEC-Q101 qualified
- Material categorization: for definitions of compliance please see www.vishay.com/doc?99912



RoHS
COMPLIANT

TYPICAL APPLICATIONS

Use in sensitive electronics protection against voltage transients induced by inductive load switching and lighting, especially for automotive load dump protection application.

MECHANICAL DATA

Case: DO-218AB

Molding compound meets UL 94 V-0 flammability rating
Base P/NHE3_X - RoHS-compliant and AEC-Q101 qualified ("X" denotes revision code e.g. A, B, ...)

Terminals: matte tin plated leads, solderable per J-STD-002 and JESD 22-B102

HE3 suffix meets JESD 201 class 2 whisker test

Polarity: heatsink is anode

| MAXIMUM RATINGS ($T_C = 25$ °C unless otherwise noted) | | | |
|--|-----------------|---------------------------------|------|
| PARAMETER | SYMBOL | VALUE | UNIT |
| Peak pulse power dissipation | P_{PPM} | with 10/1000 μ s waveform | 4600 |
| | | with 10/10 000 μ s waveform | 3600 |
| Power dissipation on infinite heatsink at $T_C = 25$ °C (fig. 1) | P_D | 6.0 | W |
| Peak pulse current with 10/1000 μ s waveform | $I_{PPM}^{(1)}$ | See next table | A |
| Peak forward surge current 8.3 ms single half sine-wave | I_{FSM} | 600 | A |
| Operating junction and storage temperature range | T_J, T_{STG} | -55 to +175 | °C |

Note

(1) Non-repetitive current pulse at $T_A = 25$ °C



| ELECTRICAL CHARACTERISTICS ($T_C = 25\text{ }^\circ\text{C}$ unless otherwise noted) | | | | | | | | | | |
|--|--------------------------------|------|------|-------------------------|--------------------------------|---|---|---|---|--|
| DEVICE TYPE | BREAKDOWN VOLTAGE V_{BR} (V) | | | TEST CURRENT I_T (mA) | STAND-OFF VOLTAGE V_{WM} (V) | MAXIMUM REVERSE LEAKAGE AT V_{WM} I_D (μA) | MAXIMUM REVERSE LEAKAGE AT V_{WM} $T_J = 175\text{ }^\circ\text{C}$ I_D (μA) | MAX. PEAK PULSE CURRENT AT 10/1000 μs WAVEFORM (A) | MAXIMUM CLAMPING VOLTAGE AT I_{PPM} V_C (V) | TYPICAL TEMP. COEFFICIENT OF V_{BR} α_T ($\%/^\circ\text{C}$) |
| | MIN. | NOM. | MAX. | | | | | | | |
| SM6S10A | 11.1 | 11.7 | 12.3 | 5.0 | 10.0 | 15 | 250 | 271 | 17.0 | 0.069 |
| SM6S11A | 12.2 | 12.9 | 13.5 | 5.0 | 11.0 | 10 | 150 | 253 | 18.2 | 0.072 |
| SM6S12A | 13.3 | 14.0 | 14.7 | 5.0 | 12.0 | 10 | 150 | 231 | 19.9 | 0.074 |
| SM6S13A | 14.4 | 15.2 | 15.9 | 5.0 | 13.0 | 10 | 150 | 214 | 21.5 | 0.076 |
| SM6S14A | 15.6 | 16.4 | 17.2 | 5.0 | 14.0 | 10 | 150 | 198 | 23.2 | 0.078 |
| SM6S15A | 16.7 | 17.6 | 18.5 | 5.0 | 15.0 | 10 | 150 | 189 | 24.4 | 0.080 |
| SM6S16A | 17.8 | 18.8 | 19.7 | 5.0 | 16.0 | 10 | 150 | 177 | 26.0 | 0.081 |
| SM6S17A | 18.9 | 19.9 | 20.9 | 5.0 | 17.0 | 10 | 150 | 167 | 27.6 | 0.082 |
| SM6S18A | 20.0 | 21.1 | 22.1 | 5.0 | 18.0 | 10 | 150 | 158 | 29.2 | 0.083 |
| SM6S20A | 22.2 | 23.4 | 24.5 | 5.0 | 20.0 | 10 | 150 | 142 | 32.4 | 0.085 |
| SM6S22A | 24.4 | 25.7 | 26.9 | 5.0 | 22.0 | 10 | 150 | 130 | 35.5 | 0.086 |
| SM6S24A | 26.7 | 28.1 | 29.5 | 5.0 | 24.0 | 10 | 150 | 118 | 38.9 | 0.087 |
| SM6S26A | 28.9 | 30.4 | 31.9 | 5.0 | 26.0 | 10 | 150 | 109 | 42.1 | 0.088 |
| SM6S28A | 31.1 | 32.8 | 34.4 | 5.0 | 28.0 | 10 | 150 | 101 | 45.4 | 0.089 |
| SM6S30A | 33.3 | 35.1 | 36.8 | 5.0 | 30.0 | 10 | 150 | 95 | 48.4 | 0.090 |
| SM6S33A | 36.7 | 38.7 | 40.6 | 5.0 | 33.0 | 10 | 150 | 86 | 53.3 | 0.091 |
| SM6S36A | 40.0 | 42.1 | 44.2 | 5.0 | 36.0 | 10 | 150 | 79 | 58.1 | 0.091 |

Notes

- For all types maximum $V_F = 1.9\text{ V}$ at $I_F = 100\text{ A}$ measured on 8.3 ms single half sine-wave or equivalent square wave, duty cycle = 4 pulses per minute maximum

(1) To calculate V_{BR} vs. junction temperature, use the following formula: V_{BR} at $T_J = V_{BR}$ at $25\text{ }^\circ\text{C} \times (1 + \alpha_T \times (T_J - 25))$

| THERMAL CHARACTERISTICS ($T_C = 25\text{ }^\circ\text{C}$ unless otherwise noted) | | | |
|---|-----------------|-------|--------------------|
| PARAMETER | SYMBOL | VALUE | UNIT |
| Typical thermal resistance, junction to case | $R_{\theta JC}$ | 0.95 | $^\circ\text{C/W}$ |

| ORDERING INFORMATION (Example) | | | | |
|---------------------------------------|-----------------|------------------------|---------------|---|
| PREFERRED P/N | UNIT WEIGHT (g) | PREFERRED PACKAGE CODE | BASE QUANTITY | DELIVERY MODE |
| SM6S10AHE3_AI (1) | 2.550 | I | 750 | 13" diameter plastic tape and reel, anode towards the sprocket hole |

Note

(1) AEC-Q101 qualified



RATINGS AND CHARACTERISTICS CURVES ($T_A = 25\text{ }^\circ\text{C}$ unless otherwise noted)

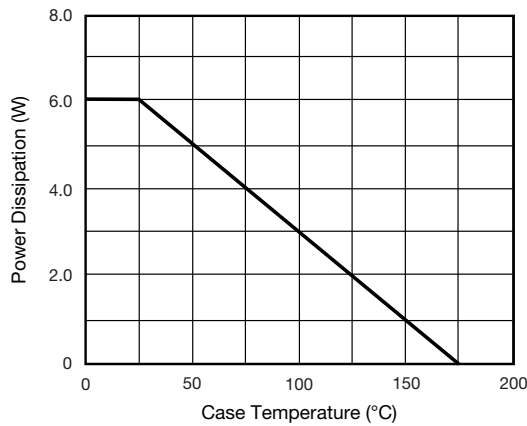


Fig. 1 - Power Derating Curve

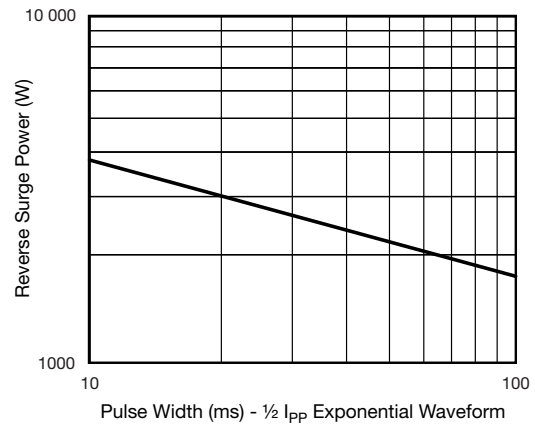


Fig. 4 - Reverse Power Capability

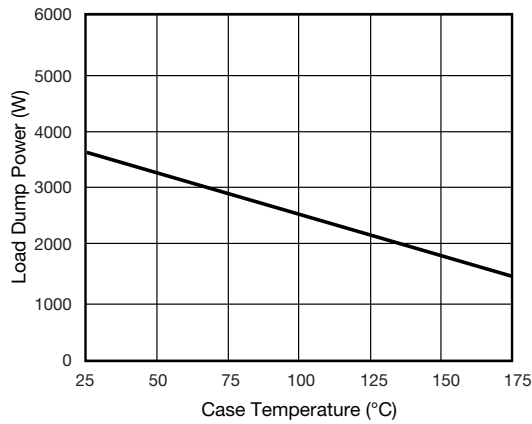


Fig. 2 - Load Dump Power Characteristics (10 ms Exponential Waveform)

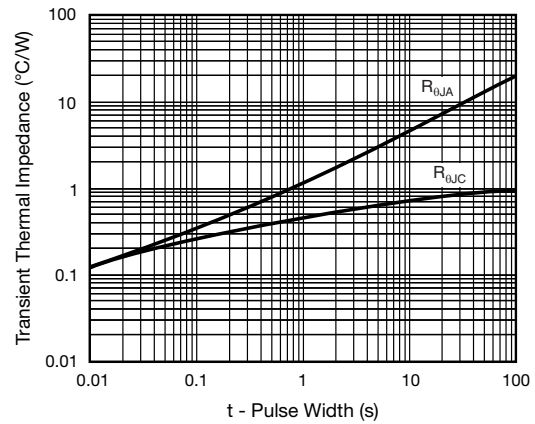


Fig. 5 - Typical Transient Thermal Impedance

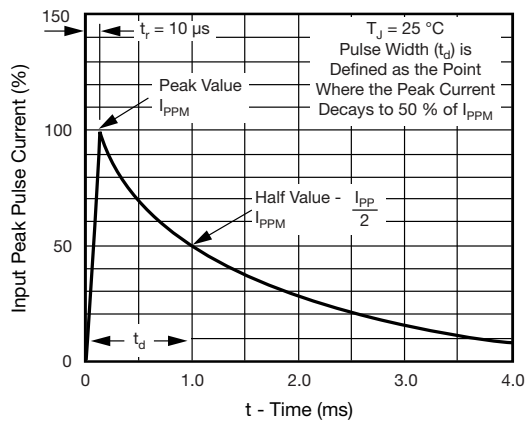
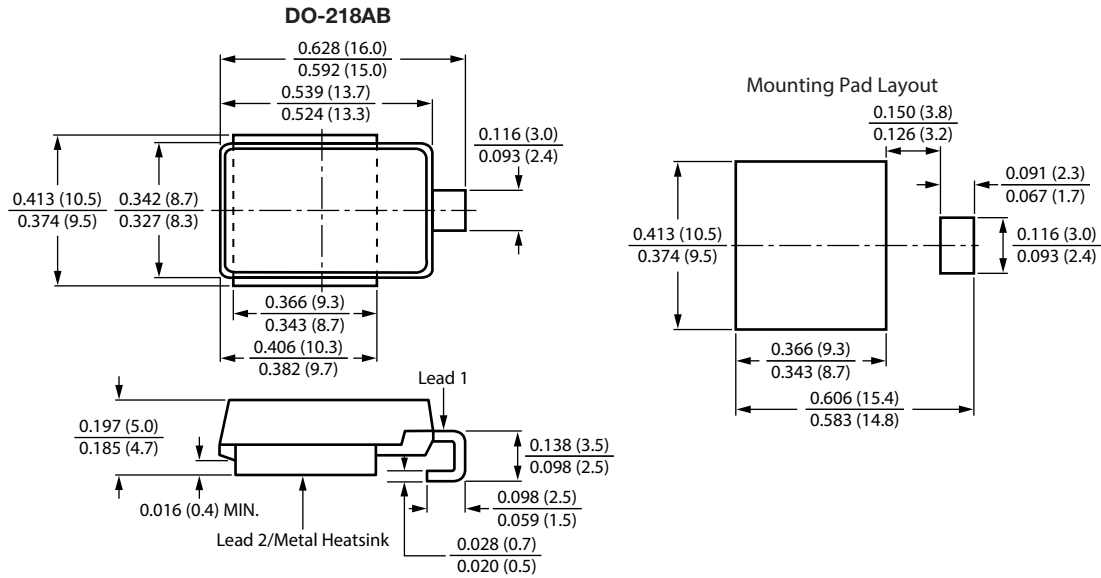


Fig. 3 - Pulse Waveform



PACKAGE OUTLINE DIMENSIONS in inches (millimeters)





Disclaimer

ALL PRODUCT, PRODUCT SPECIFICATIONS AND DATA ARE SUBJECT TO CHANGE WITHOUT NOTICE TO IMPROVE RELIABILITY, FUNCTION OR DESIGN OR OTHERWISE.

Vishay Intertechnology, Inc., its affiliates, agents, and employees, and all persons acting on its or their behalf (collectively, "Vishay"), disclaim any and all liability for any errors, inaccuracies or incompleteness contained in any datasheet or in any other disclosure relating to any product.

Vishay makes no warranty, representation or guarantee regarding the suitability of the products for any particular purpose or the continuing production of any product. To the maximum extent permitted by applicable law, Vishay disclaims (i) any and all liability arising out of the application or use of any product, (ii) any and all liability, including without limitation special, consequential or incidental damages, and (iii) any and all implied warranties, including warranties of fitness for particular purpose, non-infringement and merchantability.

Statements regarding the suitability of products for certain types of applications are based on Vishay's knowledge of typical requirements that are often placed on Vishay products in generic applications. Such statements are not binding statements about the suitability of products for a particular application. It is the customer's responsibility to validate that a particular product with the properties described in the product specification is suitable for use in a particular application. Parameters provided in datasheets and / or specifications may vary in different applications and performance may vary over time. All operating parameters, including typical parameters, must be validated for each customer application by the customer's technical experts. Product specifications do not expand or otherwise modify Vishay's terms and conditions of purchase, including but not limited to the warranty expressed therein.

Hyperlinks included in this datasheet may direct users to third-party websites. These links are provided as a convenience and for informational purposes only. Inclusion of these hyperlinks does not constitute an endorsement or an approval by Vishay of any of the products, services or opinions of the corporation, organization or individual associated with the third-party website. Vishay disclaims any and all liability and bears no responsibility for the accuracy, legality or content of the third-party website or for that of subsequent links.

Except as expressly indicated in writing, Vishay products are not designed for use in medical, life-saving, or life-sustaining applications or for any other application in which the failure of the Vishay product could result in personal injury or death. Customers using or selling Vishay products not expressly indicated for use in such applications do so at their own risk. Please contact authorized Vishay personnel to obtain written terms and conditions regarding products designed for such applications.

No license, express or implied, by estoppel or otherwise, to any intellectual property rights is granted by this document or by any conduct of Vishay. Product names and markings noted herein may be trademarks of their respective owners.

Looking for pricing, stock, or lifecycle information?

Click below to explore more details on WIN SOURCE:

 [View SM6S13AHE3_AI on WIN SOURCE](#)

 [Vishay Information](#)

Optimize Your Supply Chain with WIN SOURCE Solutions

-  Global Sourcing Solution
-  Obsolete Management
-  Cost Control Management
-  Shortage Management
-  Alternative Solution
-  Excess Inventory Management