



**THE DATASHEET OF  
SPX1582T5-L**



## General Description

The SPX1582 is a 3A low dropout regulator with extremely low dropout voltage. The adjustable version requires only two external resistors to set the output voltage. The SPX1582 features a low dropout of 400mV (typ.) and offers fast transient response. This device is suitable for applications requiring outputs at low current with an input voltage of 1V greater than the output voltage. With an external SENSE pin, the load regulation is less than 1mV. This device is an excellent choice for use in powering low-voltage microprocessors that require a lower dropout, fast transient response converting from 3.3V and 5V supplies. The SPX1582 is also an excellent choice as a post-regulator for switching supply applications.

The SPX1582 offers protection against overcurrent faults, reversed input polarity, overtemperature operation, and positive or negative transient voltages.

The SPX1582 is offered in a 5-pin TO-263 compatible with industry standard 5-terminal regulators.

## Features

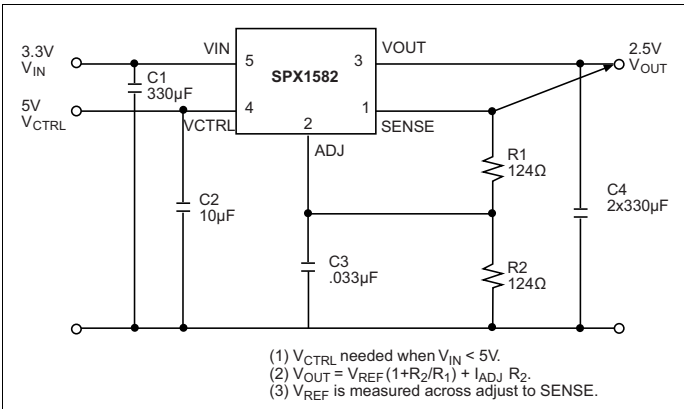
- Low dropout voltage 500mV at 3A full load current
- Adjustable output down to 1.25V from 3.3V and 5V supplies
- Extremely tight load and line regulation
- Standard 5-terminal low-cost TO-263

## Applications

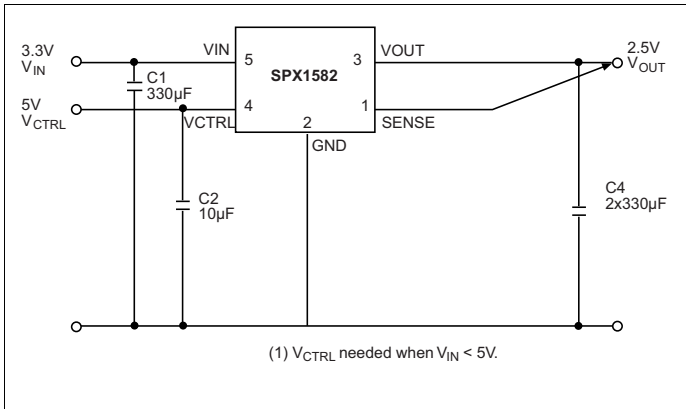
- Microprocessor core and memory supplies
- Low-cost 3.3V, 2.5V, 1.8V, and 1.5V I/O power
- 5.5V to 5V conversion with high power supply rejection ratio (PSRR) isolation

*TO-263 version available, TO-220 version obsolete*

## Typical Applications Circuits



**Figure 1: Adjustable Regulator**



**Figure 2: Typical Fixed Regulator**

## Revision History

Revision	Release Date	Change Description
250DSR00	May 19, 2023	<b>Updated:</b> <ul style="list-style-type: none"><li>■ New template applied, contents rewriting, and obsolete packages highlighted.</li><li>■ Subtitle of the document.</li><li>■ "General Description" section.</li><li>■ "Features" section.</li><li>■ "Applications" section.</li><li>■ "Specifications" section.</li><li>■ "Application Information" section.</li><li>■ "Mechanical Dimensions—5 Pin TO-220" figure.</li><li>■ "Mechanical Dimensions—5 Pin TO-263" figure.</li><li>■ "Ordering Information" section.</li></ul> <b>Added:</b> <ul style="list-style-type: none"><li>■ In "Typical Fixed Regulator" figure, symbol of capacitor C1.</li><li>■ "Pin Configuration" section.</li></ul>
Rev F	June 17, 2006	Legacy Sipex data sheet.

# Table of Contents

<b>General Description</b> .....	<b>i</b>
<b>Features</b> .....	<b>i</b>
<b>Applications</b> .....	<b>i</b>
<b>Typical Applications Circuits</b> .....	<b>i</b>
<b>Specifications</b> .....	<b>1</b>
Absolute Maximum Ratings.....	1
Thermal Specifications .....	1
Electrical Characteristics .....	2
<b>Pin Information</b> .....	<b>3</b>
Pin Configuration.....	3
Pin Description .....	3
<b>Block Diagram</b> .....	<b>4</b>
<b>Application Information</b> .....	<b>5</b>
Power-Up Sequencing .....	5
Adjustable Regulator Design .....	5
Lowering Noise.....	5
<b>Mechanical Dimensions</b> .....	<b>6</b>
5-Pin TO-220 .....	6
5-Pin TO-263.....	7
<b>Ordering Information</b> .....	<b>8</b>

## List of Figures

Figure 1: Adjustable Regulator ..... i

Figure 2: Typical Fixed Regulator..... i

Figure 3: SPX1582 Pinout (Top View)..... 3

Figure 4: Functional Block Diagram ..... 4

Figure 5: Mechanical Dimensions—5-Pin TO-220 ..... 6

Figure 6: Mechanical Dimensions—5-Pin TO-263 ..... 7

## List of Tables

Table 1: Absolute Maximum Ratings .....	1
Table 2: Thermal Performance .....	1
Table 3: Electrical Characteristics .....	2
Table 4: Pin Description.....	3
Table 5: Ordering Information.....	8

## Specifications

### Absolute Maximum Ratings

**Important:** The stresses above what is listed under the following table may cause permanent damage to the device. This is a stress rating only—functional operation of the device above what is listed under the following table or any other conditions beyond what MaxLinear recommends is not implied. Exposure to conditions above the recommended extended periods of time may affect device reliability. Solder reflow profile is specified in the *IPC/JEDEC J-STD-020C* standard.

**Table 1: Absolute Maximum Ratings**

Parameter	Min	Max	Units
Power Dissipation	Internally Limited		-
Storage Temperature Range	-65	150	°C
<b>Operating Junction Temperature Range</b>			
SPX1582 Control Section	0	125	°C
SPX1582 Power Transistor	0	150	°C
Input Supply Voltage	-	6	V
VCTRL Input Voltage	-	13	V

### Thermal Specifications

*TO-263 version available, TO-220 version obsolete*

**Table 2: Thermal Performance**

Symbol	Parameter	Package	Max	Units
$\theta_{JC}$	Junction to Case	TO-220-5	3	°C/W
$\theta_{JA}$	Junction to Ambient	TO-220-5	29.3	°C/W
$\theta_{JC}$	Junction to Case	TO-263-5	3	°C/W
$\theta_{JA}$	Junction to Ambient	TO-263-5	31.2	°C/W

## Electrical Characteristics

Electrical characteristics at  $V_{OUT} = V_{SENSE}$ ,  $V_{ADJ} = 0V$ ,  $T_A = 25^\circ C$ ,  $C_{CTL} = C_{PWR} = C_{OUT} = 33\mu F$  tantalum capacitor, unless otherwise specified. The • denotes the specifications that apply over the full temperature range of  $-40^\circ C$  to  $85^\circ C$ , unless otherwise specified.

**Table 3: Electrical Characteristics**

Parameter	Conditions		Min	Typ	Max	Units
<b>2.5V Version</b>						
Output Voltage	$V_{CTRL} = 6.0V$ to $12V$ , $V_{IN} = 3.0V$ to $5.0V$ , $I_O = 10mA$		2.450	2.5	2.550	V
	$V_{CTRL} = 6.0V$ to $12V$ , $V_{IN} = 3.0V$ to $5.0V$ , $I_O = 10mA$ to $3A$	•	2.400	-	2.600	
<b>2.8V Version</b>						
Output Voltage	$V_{CTRL} = 6.3V$ to $12V$ , $V_{IN} = 3.3V + 0.8V$ , $I_O = 10mA$		2.744	2.8	2.856	V
	$V_{CTRL} = 6.3V$ to $12V$ , $V_{IN} = 3.3V + 0.8V$ , $I_O = 10mA$ to $3A$	•	2.688	-	2.912	
<b>3.3V Version</b>						
Output Voltage	$V_{CTRL} = 6.3V$ to $12V$ , $V_{IN} = 3.3V + 0.8V$ , $I_O = 10mA$		3.234	3.3	3.366	V
	$V_{CTRL} = 6.3V$ to $12V$ , $V_{IN} = 3.3V + 0.8V$ , $I_O = 10mA$ to $3A$	•	3.168	3.3	3.432	
<b>All Voltage Options</b>						
Reference Voltage	$V_{CTRL} = 2.75V$ , $V_{IN} = 2.00V$ , $I_O = 10mA$		1.238	1.25	1.263	V
	$V_{CTRL} = 2.7V$ to $12V$ , $V_{IN} = 2.05V$ to $5.5V$ , $I_O = 10mA$ to $3A$		1.238	1.25	1.263	
Line Regulation	$V_{CTRL} = 2.5V$ to $12V$ , $V_{IN} = 1.75$ to $5.5V$ , $I_O = 10mA$ , $V_{ADJ} = 0V$	•	-	1.0	3.0	mV
Load Regulation <sup>1</sup>	$V_{CTRL} = 2.75V$ , $V_{IN} = V_{OUT} + 1.5V$ , $I_O = 10mA$ to $3A$ , $V_{ADJ} = 0V$	•	-	1.0	5.0	mV
Dropout Voltage Min. $V_{CTRL}$ <sup>2</sup> ( $V_{IN} - V_{OUT}$ )	$V_{ADJ} = 0V$ , $V_{IN} = 2.05V$ , $I_O = 1A$		-	1.05	1.18	V
Dropout Voltage Min. $V_{IN}$ <sup>2</sup> ( $V_{IN} - V_{OUT}$ )	$V_{ADJ} = 0V$ , $V_{IN} = 2.75V$ , $I_O = 3A$		-	0.40	0.50	V
Current Limit	$V_{CTRL} = 2.75V$ , $V_{IN} = 2.05V$ , $\Delta V_{OUT} = 100mV$ , $V_{ADJ} = 0V$		3.1	-	-	A
Minimum Load Current	$V_{CTRL} = 5V$ , $V_{IN} = 3.3V$ , $V_{ADJ} = 0V$	•	-	5	10	mA
Thermal Regulation	30ms pulse		-	0.002	0.02	%/W
Ripple Rejection	$V_{CTRL} = 3.75V$ , $V_{IN} = 3.75V$ , $I_O = 2.3A$ , $V_{ADJ} = 0V$ , $T_J = 25$ , $V_{RIPPLE} = 1V_{pp}$ at $120Hz$		60	80	-	dB
Control Pin Current	$V_{ADJ} = 0V$ , $V_{CTRL} = 2.75V$ , $V_{IN} = 2.05V$ , $I_O = 3A$	•	-	60	120	mA
Adjustable Pin Current	$V_{CTRL} = 2.75V$ , $V_{IN} = 2.05V$ , $V_{ADJ} = 0V$ , $I_O = 10mA$	•	-	50	120	$\mu A$

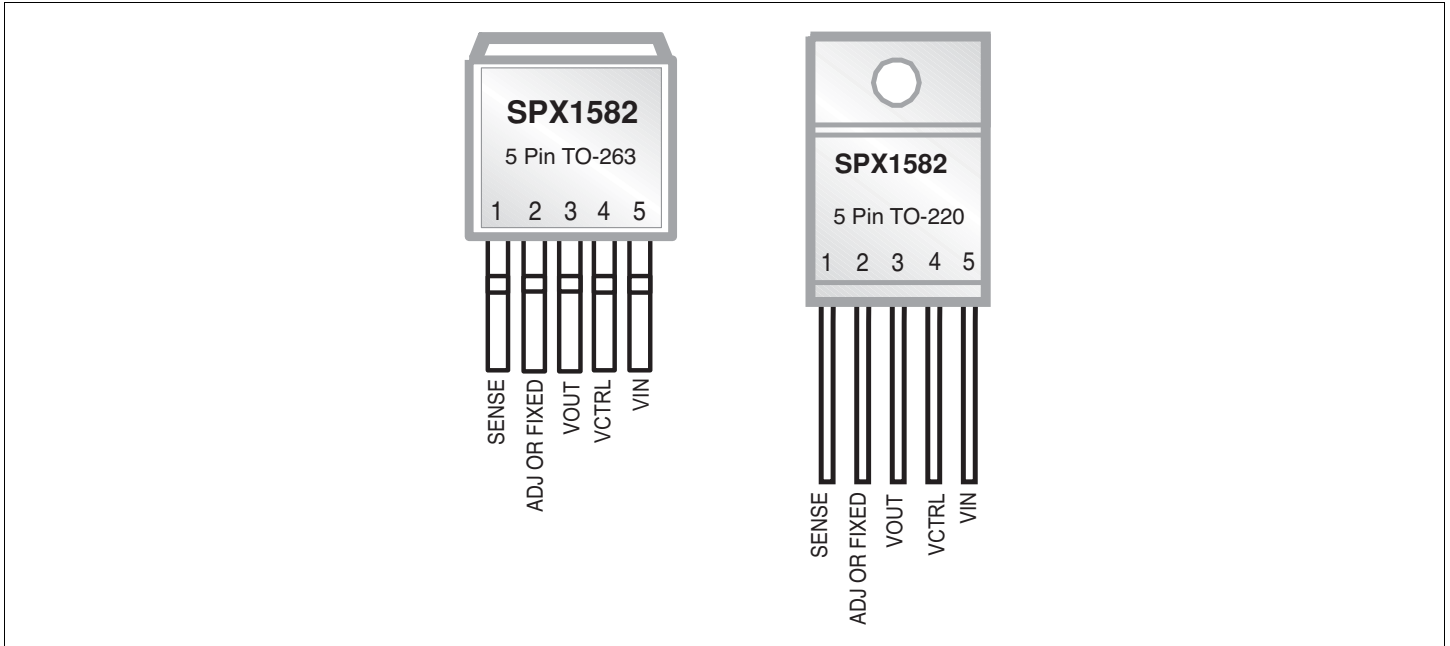
1. Low duty cycle pulse testing with Kelvin connections is required in order to maintain accurate data.

2. Dropout voltage is defined as the minimum differential between  $V_{IN}$  and  $V_{OUT}$  or  $V_{CTRL}$  and  $V_{OUT}$  required to maintain regulation at  $V_{OUT}$  95% nominal  $V_{OUT}$ .

## Pin Information

### Pin Configuration

*TO-263 version available, TO-220 version obsolete*



**Figure 3: SPX1582 Pinout (Top View)**

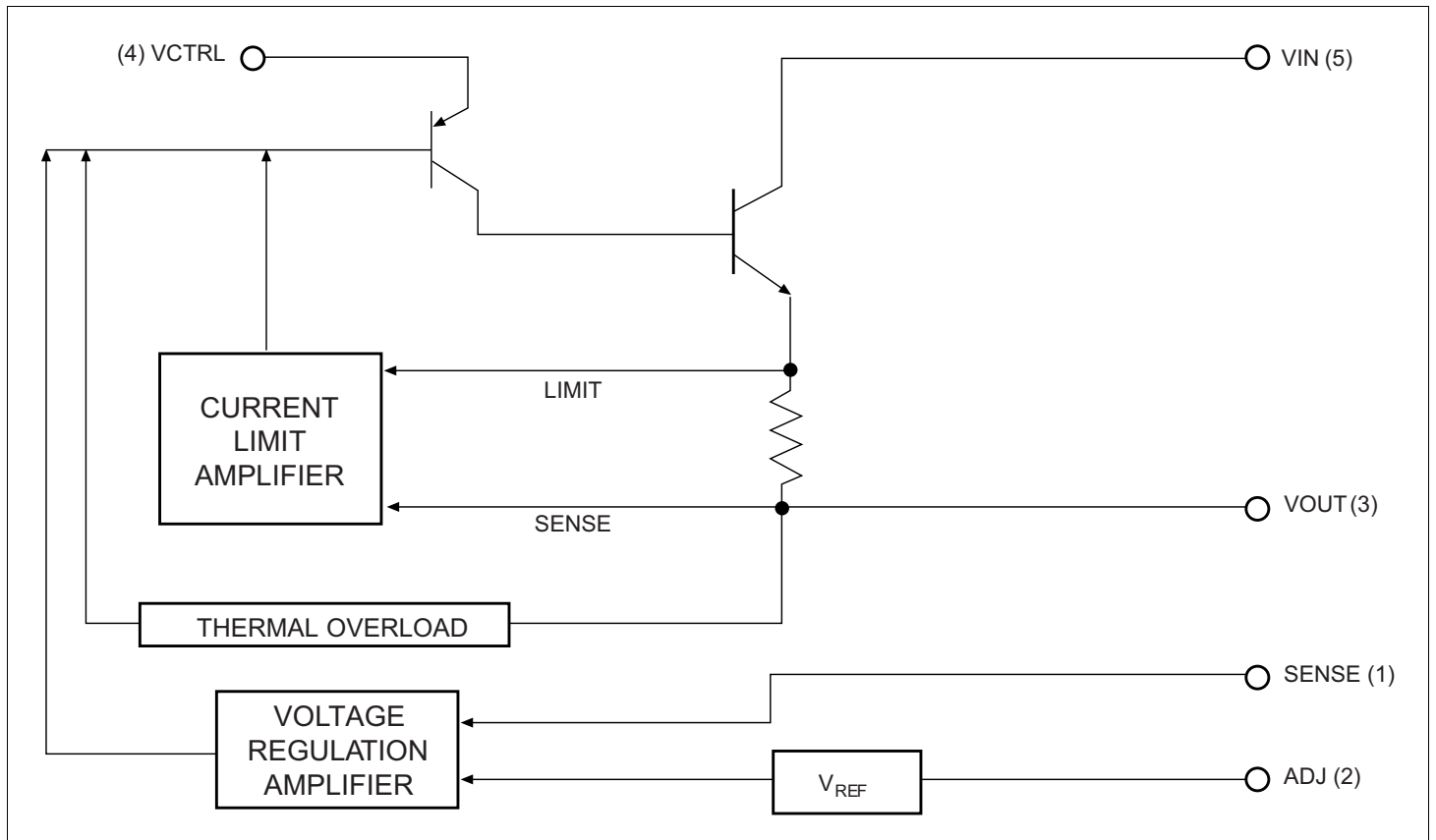
### Pin Description

**Table 4: Pin Description**

Pin Number	Pin Name	Description
1	SENSE	Allows Kelvin sense of $V_{OUT}$ at the load (positive side of the device's reference voltage).
2	ADJ	Negative side of the device's reference voltage. Adding a small bypass capacitor from the ADJ pin to ground improves the transient response.
3	VOUT	Power output of the device.
4	VCTRL	Supply pin for the device's control circuitry. The current flow into this pin is about 1% of the output current. $V_{CTRL}$ must be 1.0V to 1.3V greater than the output voltage for the device to regulate.
5	VIN	Output load current is supplied through this pin. $V_{IN}$ must be 0.1V to 0.8V greater than the output voltage for this device to regulate.

**Note:** TAB is internally connected to Pin 3.

# Block Diagram



**Figure 4: Functional Block Diagram**

## Application Information

The SPX1582 is designed as a high-performance, low-cost solution for applications requiring a lower dropout than traditional NPN regulators.

The SPX1582 uses a separate  $V_{CTRL}$  input voltage ( $V_{CTRL} \geq V_{OUT} + 1.3V$ ) to minimize the dropout voltage. This allows the 2.5V power for the load to come from a 3.3V system supply. As an added benefit, this reduces the heat dissipation, and lower heatsink and cooling fan costs.

A typical application would use 3.3V for  $V_{IN}$  and 5.0V for  $V_{CTRL}$  from the system power to provide a nominal 2.5V, 1.8V, or 1.5V output. Using the SENSE pin provides a Kelvin measurement of the output to reduce resistance-associated errors. This makes the SPX1582 well suited for loads requiring tight load regulation.

## Power-Up Sequencing

The SPX1582 requires a power-up sequence in which  $V_{IN}$  must be applied before  $V_{CTRL}$  to prevent a latchup condition. If this is not possible, a  $10\Omega$  series resistor should be added to the  $V_{CTRL}$  input to prevent the device from entering into latchup if  $V_{CTRL}$  is applied before  $V_{IN}$ .

## Adjustable Regulator Design

A 1.25V reference voltage is developed between the SENSE pin and the ADJ pin of the SPX1582. Adding two external resistors (see [Figure 1](#) on page i and [Figure 2](#) on page i) allows setting the output voltage from 1.25V to 6V.  $R_1$  is chosen so that this current is specified at a minimum load current of 10mA.

$R_2$  is given by the following formula:

$$V_{OUT} = V_{REF} (1 + R_2/R_1) + I_{ADJ} (R_2).$$

The current flowing from the ADJ pin is typically  $50\mu A$ . This ADJ pin contributes to the final  $V_{OUT}$  but is usually neglected. Connecting the SENSE pin to the top of the resistor divider improves load regulation.

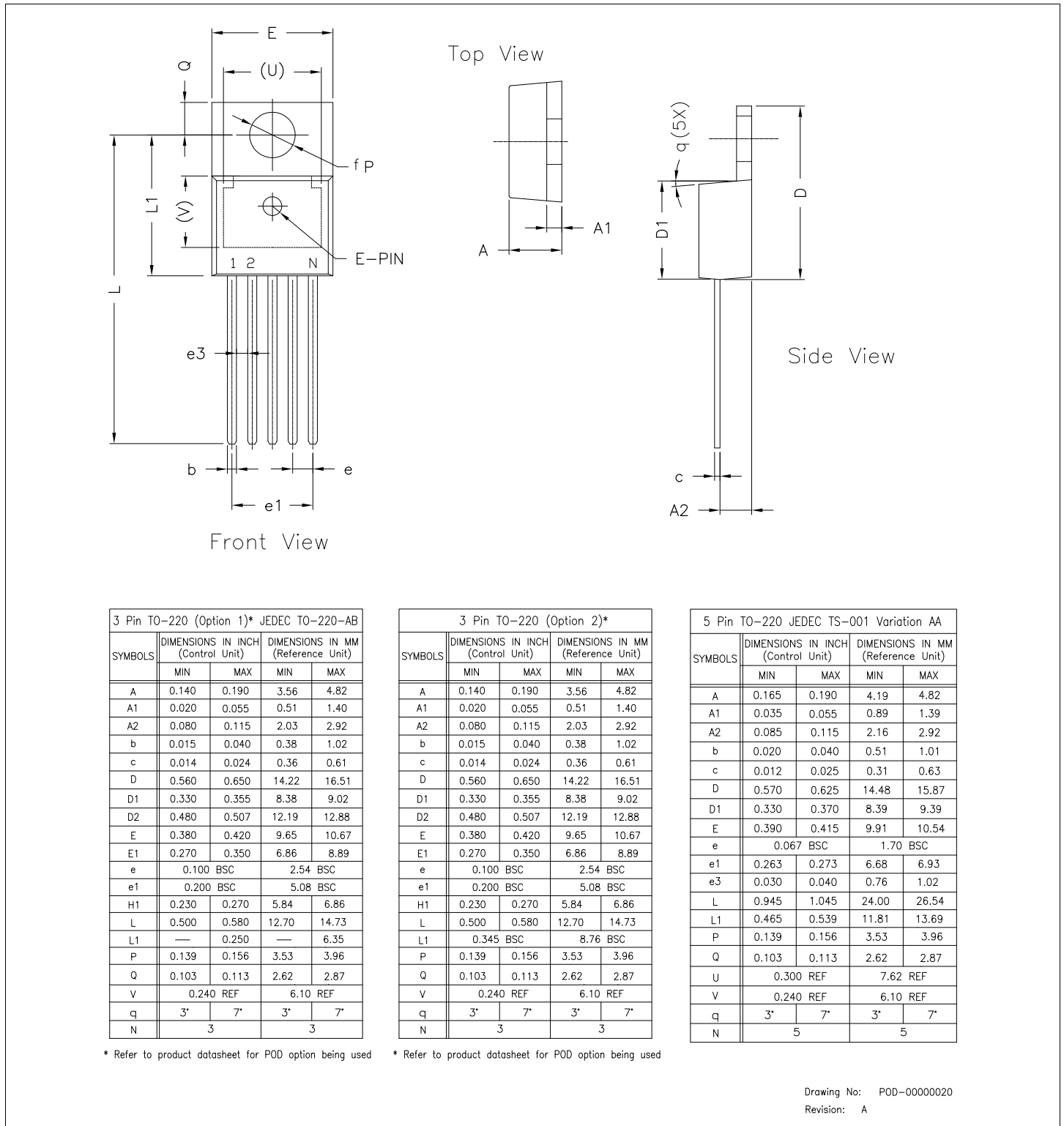
## Lowering Noise

For the fixed voltage device, adding a capacitor at the GND pin improves transient response. This capacitor is chosen in the range of  $1\mu F$  to  $0.1\mu F$  and depends on the amount of output capacitance in the system.

# Mechanical Dimensions

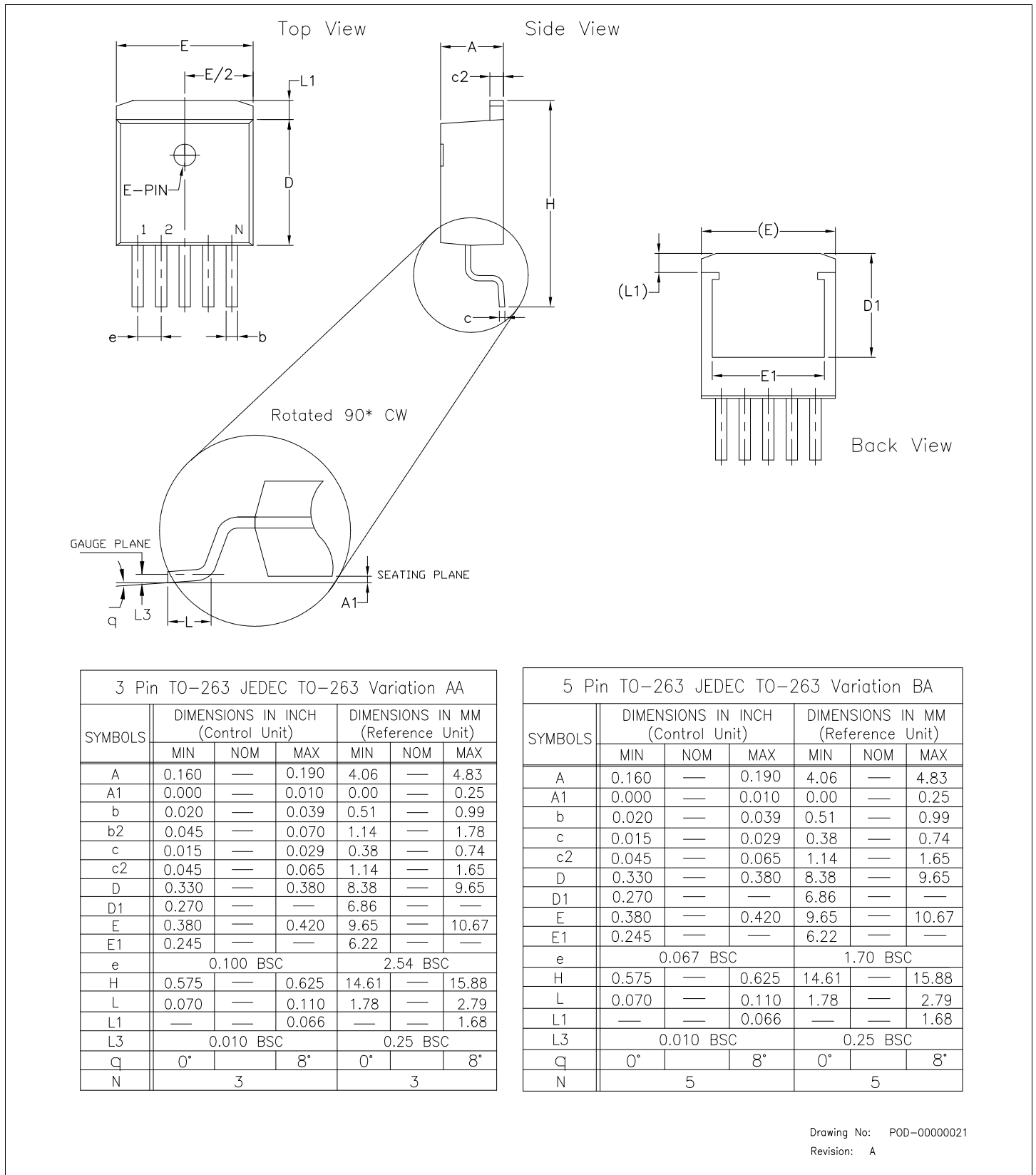
## 5-Pin TO-220

*TO-220 version obsolete*



**Figure 5: Mechanical Dimensions—5-Pin TO-220**

# 5-Pin TO-263



**Figure 6: Mechanical Dimensions—5-Pin TO-263**

## Ordering Information

*TO-263 version available, TO-220 version obsolete*

**Table 5: Ordering Information**

Ordering Part Number	Operating Temperature Range	Accuracy	Output Voltage	Package	Packaging
SPX1582T5-L/TR	$0^{\circ}\text{C} \leq T_J \leq 125^{\circ}\text{C}$	2.0%	ADJ	5-Pin TO-263	Tape and Reel

**Note:** For more information about part numbers, as well as the most up-to-date information and additional information on environmental rating, go to [www.maxlinear.com/SPX1582](http://www.maxlinear.com/SPX1582).



MaxLinear, Inc.  
 5966 La Place Court, Suite 100  
 Carlsbad, CA 92008  
 Tel.: +1 (760) 692-0711  
 Fax: +1 (760) 444-8598  
[www.maxlinear.com](http://www.maxlinear.com)

The content of this document is furnished for informational use only, is subject to change without notice, and should not be construed as a commitment by MaxLinear, Inc. MaxLinear, Inc. assumes no responsibility or liability for any errors or inaccuracies that may appear in the informational content contained in this document. Complying with all applicable copyright laws is the responsibility of the user. Without limiting the rights under copyright, no part of this document may be reproduced into, stored in, or introduced into a retrieval system, or transmitted in any form or by any means (electronic, mechanical, photocopying, recording, or otherwise), or for any purpose, without the express written permission of MaxLinear, Inc.

EXCEPT AS OTHERWISE PROVIDED EXPRESSLY IN WRITING BY MAXLINEAR, AND TO THE MAXIMUM EXTENT PERMITTED BY LAW: (A) THE MAXLINEAR PRODUCTS ARE PROVIDED ON AN "AS IS" BASIS WITHOUT REPRESENTATIONS OR WARRANTIES OF ANY KIND, INCLUDING WITHOUT LIMITATION ANY IMPLIED OR STATUTORY WARRANTIES AND ANY WARRANTIES OF MERCHANTABILITY, FITNESS FOR A PARTICULAR PURPOSE, NON-INFRINGEMENT, OR TITLE; AND (B) MAXLINEAR DOES NOT GUARANTEE THAT THE PRODUCTS WILL BE FREE OF ERRORS OR DEFECTS. MAXLINEAR PRODUCTS SHOULD NOT BE USED IN ANY EMERGENCY, SECURITY, MILITARY, LIFE-SAVING, OR OTHER CRITICAL USE CASE WHERE A FAILURE OR MALFUNCTION COULD CAUSE PERSONAL INJURY OR DEATH, OR DAMAGE TO OR LOSS OF PROPERTY. USERS ASSUME ALL RISK FOR USING THE MAXLINEAR PRODUCTS IN SUCH USE CASE. CUSTOMERS AND USERS ARE SOLELY RESPONSIBLE FOR USING THEIR OWN SKILL AND JUDGMENT TO DETERMINE WHETHER MAXLINEAR PRODUCTS ARE SUITABLE FOR THE INTENDED USE CASE.

MaxLinear, Inc. may have patents, patent applications, trademarks, copyrights, or other intellectual property rights covering subject matter in this document. Except as expressly provided in any written license agreement from MaxLinear, Inc., the furnishing of this document does not give you any license to these patents, trademarks, copyrights, or other intellectual property.

MaxLinear, the MaxLinear logo, any other MaxLinear trademarks (including but not limited to MxL, Full-Spectrum Capture, FSC, AirPHY, Puma, AnyWAN, VectorBoost, MXL WARE, and Panther), and the MaxLinear logo on the products sold are all property of MaxLinear, Inc. or one of MaxLinear's subsidiaries in the U.S.A. and other countries. All rights reserved.

All third-party products, company names and logos are trademarks™ or registered® trademarks and remain the property of their respective holders/owners. Use of such marks does not imply any affiliation with, sponsorship or endorsement by the owners/holders of such trademarks. All references by MaxLinear to third party trademarks are intended to constitute nominative fair use under applicable trademark laws.

The URLs provided are for informational purposes only; they do not constitute an endorsement or an approval by MaxLinear of any of the products or services of the corporation or organization or individual. MaxLinear bears no responsibility for the accuracy, legality or content of the external site or for that of subsequent links. Contact the external site for answers to questions regarding its content.

## Looking for pricing, stock, or lifecycle information?

Click below to explore more details on WIN SOURCE:

 [View SPX1582T5-L on WIN SOURCE](#)

 [MaxLinear Inc Information](#)

## Optimize Your Supply Chain with WIN SOURCE Solutions

-  Global Sourcing Solution
-  Obsolete Management
-  Cost Control Management
-  Shortage Management
-  Alternative Solution
-  Excess Inventory Management