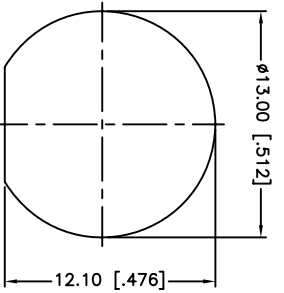




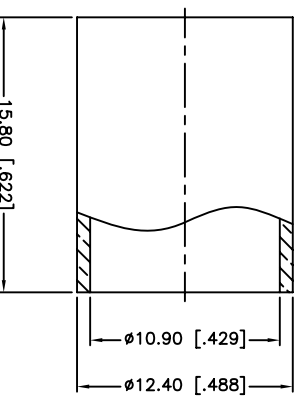
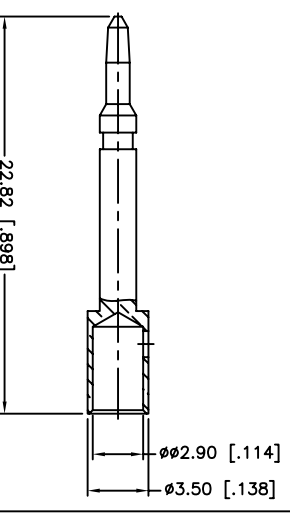
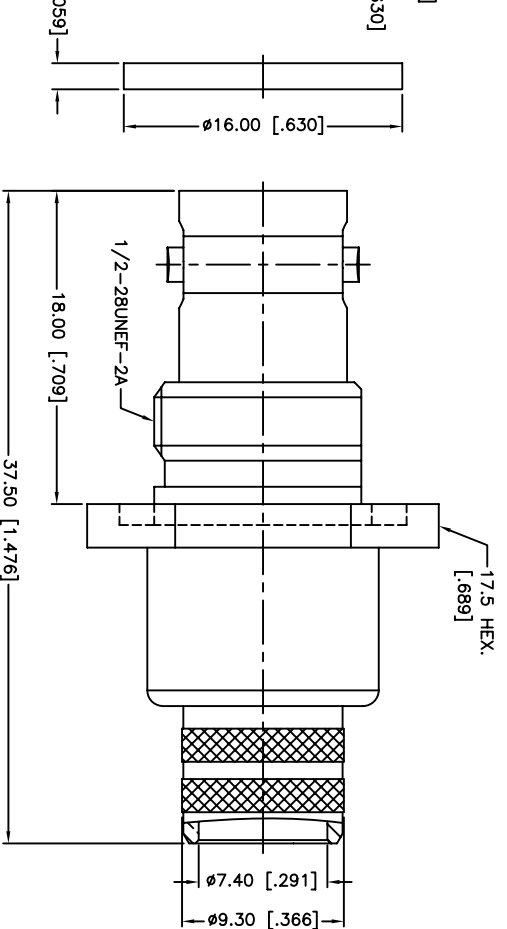
**THE DATASHEET OF  
112604RP**



REV.	DATE	ECR NO.	DESCRIPTION
NC	11/20/00	XXXXXX	INITIAL RELEASE
A	06/06/13	2478	UPDATE DRAWING FORMAT, ADD ELECTRICAL & MECHANICAL NOTES



RECOMMENDED  
MOUNTING HOLE



QTY	DO NOT SCALE DRAWING
1	UNLESS OTHERWISE SPECIFIED DIMENSIONS ARE IN MILLIMETERS. DIMENSIONS IN [ ] ARE IN INCHES AND FOR CUSTOMER REFERENCE ONLY.
1	UNLESS OTHERWISE SPECIFIED TOLERANCES ARE:
1	0.5 - 6mm ± 0.10mm
1	6 - 30mm ± 0.20mm
1	30 - 120mm ± 0.30mm
1	UNLESS OTHERWISE SPECIFIED ANGLES ARE ± 1°
1	UNLESS OTHERWISE SPECIFIED TOLERANCES FOR INCHES ARE:
1	< .020 ± 0.002"
1	.020 - .236 ± 0.004"
1	.236 - 1.180 ± 0.007"
1	1.180 - 4.724 ± 0.012"

APPROVALS	DATE
DRAWN M.ZHANG	06/06/13
CHECKED	
ISSUED	
SHEET 1 OF 1	

PART DESCRIPTION	
<p><b>Amphenol Connex</b></p> <p>BNC REVERSE POLARITY BULKHEAD CRIMP JACK (FOR BELDEN 8214, 9913, 9914, LMR400 CABLE)</p>	
PART NO.	112604RP
DWG. NO.	112604RP.DWG
REV.	A
SIZE	A
SCALE	NA

## Looking for pricing, stock, or lifecycle information?

Click below to explore more details on WIN SOURCE:

- [View 112604RP on WIN SOURCE](#)
- [Amphenol-RF Division Information](#)

## Optimize Your Supply Chain with WIN SOURCE Solutions

- ✓ Global Sourcing Solution
- ✓ Obsolete Management
- ✓ Cost Control Management
- ✓ Shortage Management
- ✓ Alternative Solution
- ✓ Excess Inventory Management