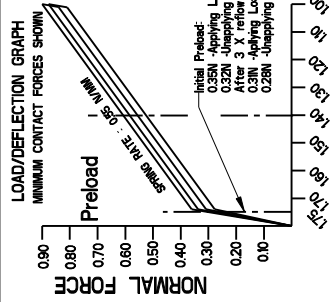




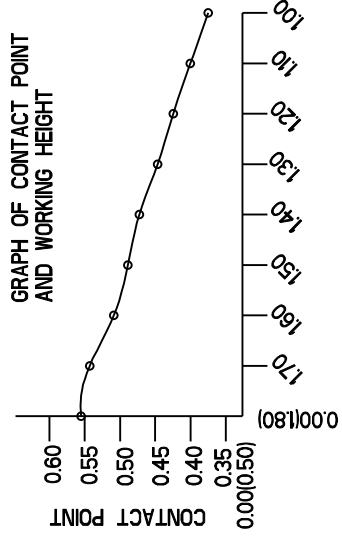
**THE DATASHEET OF  
120220-0311**



Drwg. No. CU-120220-0311-C

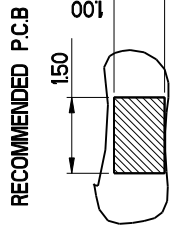
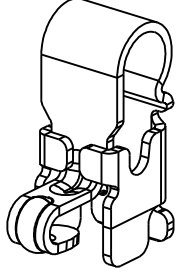
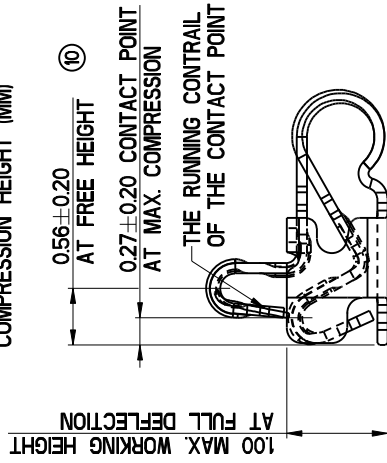


LOAD AT 100 MM HEIGHT  
 INITIAL = 0.88 N (APPLYING LOAD)  
 AFTER 3 X REFLOW = 0.78 N  
 COMPRESSION =  
 INITIAL FORCE AT 140MM  
 0.60N (APPLYING LOAD)  
 0.52N (UNAPPLYING LOAD) ③  
 AFTER 3 X REFLOW =  
 0.48N (APPLYING LOAD)  
 0.44N (UNAPPLYING LOAD)



COMPRESSION (MM)

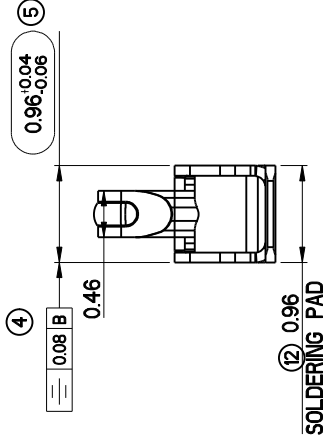
COMPRESSION HEIGHT (MM)



RECOMMENDED P.C.B

NOTES :

1. MATERIAL : TITANIUM COPPER 0.10mm
2. FINISH: NICKEL UNDERPLATE 10/30 MICRONS
3. PRE-LOAD FORCE: 0.40 N • CONTACT POINT
4. FORCE • MAXIMUM DEFLECTION: 0.88 N • CONTACT POINT
5. RINGED DIMENSIONS AND GEOMETRIC TOLERANCE ARE CRITICAL.



SELECTIVE  
 Au PLATE 10  
 MICRONS MIN

CARRIER CUT-OFF  
 POINT

Rev	DCN/ECN or Description	Date
C	RE-2386, CHANGE THE MATERIAL THICKNESS	16-AUG-11
B	RE-2371, CHANGE THE WIDTH OF THE CONTACT	08-JUL-11
A	RE-2272, INITIAL ISSUE	21-APR-11

DO NOT SCALE	16-AUG-11	16-AUG-11	16-AUG-11
Drawn: BILLS			
Checked: PL			
Engineer: BILLS			
Manufact.			
Assembly			
Quality			
Approvals	Sign	Date	

Material:  
 SEE NOTES 1  
 Treatment:

Dimensions in: mm

Cust Spec No.

Ref:

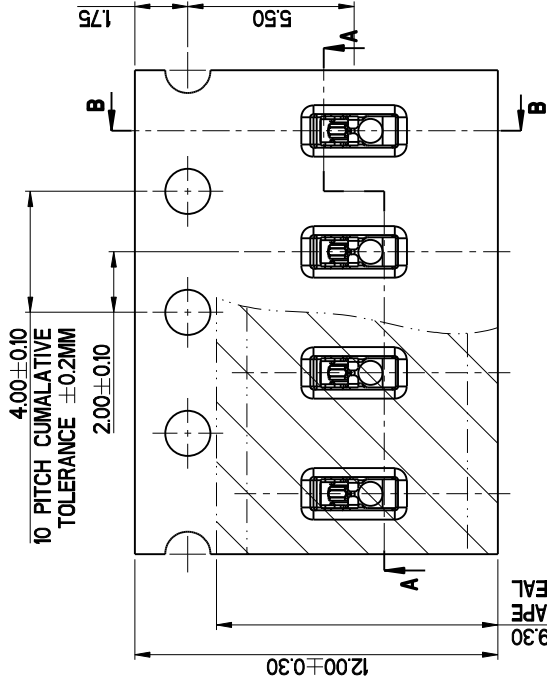
Scale 10:1



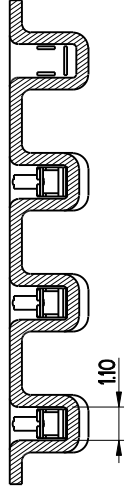
ITT Industries  
 Cannon Electronics (SZ) Co. Ltd.

Toupanjun Indus  
 Jinda Cheng, Xi  
 Shajing Town, B  
 Shenzhen City  
 PRC 518125

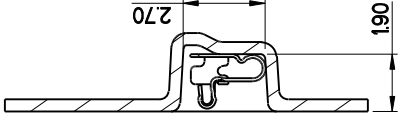
Drwg. No. CU-120220-0311-C



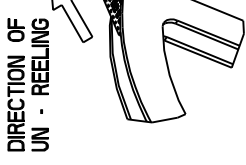
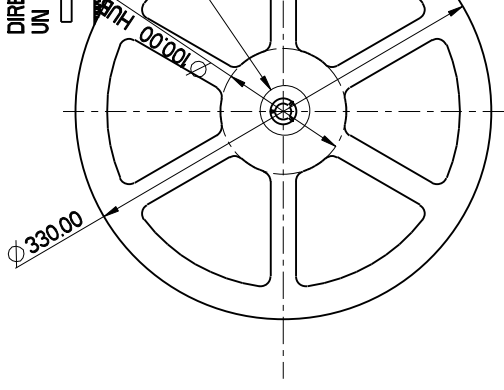
⑨ 9.30  
9.3 ANTI-STATIC COVER TAPE  
POLYESTER, PRESSURE SEAL



SECTION A-A



SECTION B-B



PACKAGING DETAILS  
 1) 6800 PCS TO BE PACKED PER REEL  
 2) LEADER : 400 MM  
 3) TRAILER : 160 MM  
 4) REEL MATERIAL - BLACK ANTI - STATIC POLYSTYRENE

NOTES :

1 CARRIER TAPE MATERIAL - BLACK CONDUCTIVE POLYSTYRENE

DO NOT SCALE		Material:	3rd ANGLE PROJECTION	Scale 20:1
Drawn	16-AUG-11	SEE NOTES 1	Surface Roughness Unless Specified	Cust Spec No.
Checked	16-AUG-11	Treatment:		
Engineer	16-AUG-11	Dimensions in: mm	Ref:	Ref:
Manufact.				
Assembly				
Quality				
Approvals	Sign	Date		

24-006



ITT Industries  
 Cannon Electronics (SZ) Co. Ltd.

Toupanjun Indus.  
 Jinda Cheng, Xi  
 Shajing Town, B  
 Shenzhen City  
 PRC 518125

## Looking for pricing, stock, or lifecycle information?

Click below to explore more details on WIN SOURCE:

 [View 120220-0311 on WIN SOURCE](#)

 [ITT Cannon, LLC Information](#)

## Optimize Your Supply Chain with WIN SOURCE Solutions

-  Global Sourcing Solution
-  Obsolete Management
-  Cost Control Management
-  Shortage Management
-  Alternative Solution
-  Excess Inventory Management