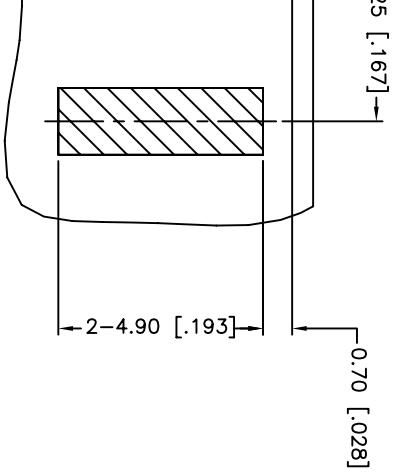




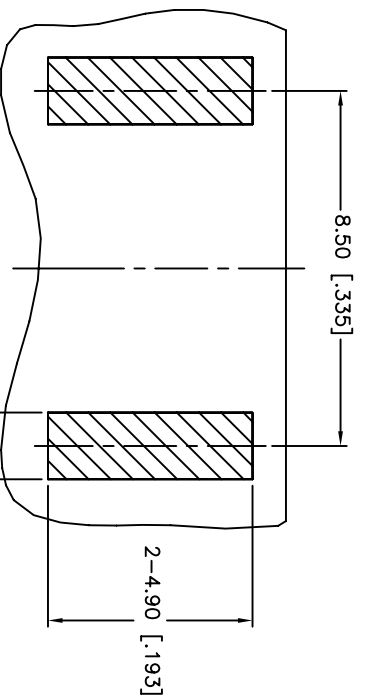
THE DATASHEET OF
132255



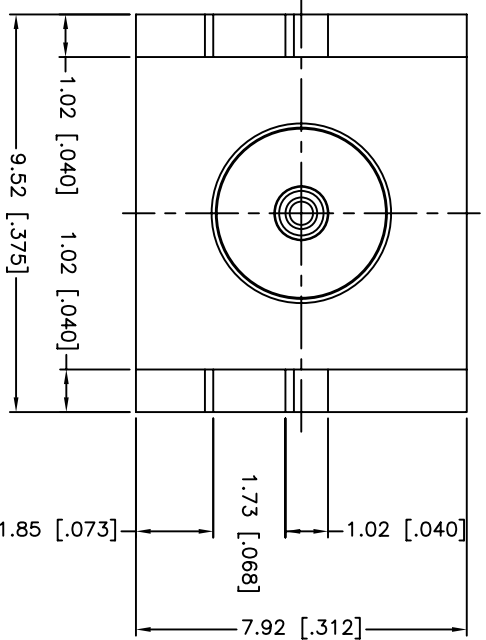
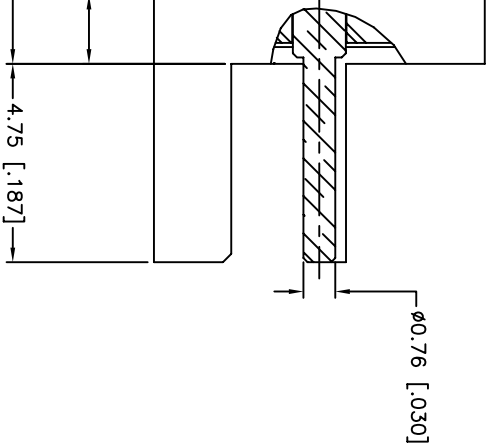
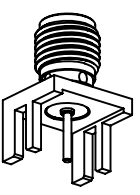
REV.	DATE	EGR NO.	DESCRIPTION
NC	10/29/98	XXXXXX	INITIAL RELEASE
A	08/13/06	XXXXXX	UPDATE DRAWING FORMAT
B	07/29/11	2208	ADD PCB LAYOUT AND NOTES
C	11/30/11	2254	UPDATE THE CONTACT AND INSULATOR



RECOMMENDED PCB LAYOUT



BOTTOM VIEW





UNLESS OTHERWISE SPECIFIED DIMENSIONS ARE IN MILLIMETERS DIMENSIONS IN PARENTHESES ARE IN INCHES AND FOR CUSTOMER REFERENCE ONLY.		UNLESS OTHERWISE SPECIFIED DIMENSIONS ARE IN MILLIMETERS DIMENSIONS IN PARENTHESES ARE IN INCHES AND FOR CUSTOMER REFERENCE ONLY.	
TOLERANCES FOR MILLIMETERS ARE:		TOLERANCES FOR INCHES ARE:	
0.5 - 8mm ± 0.20mm		0.20 - .315 = ± 0.007"	
8 - 30mm ± 0.40mm		.315 - 1.180 = ± 0.015"	
30 - 120mm ± 0.50mm		1.180 - 4.724 = ± 0.020"	
AXIAL FORCE:		AXIAL FORCE:	
MS, MIN.		MS, MIN.	
QTY	1	DO NOT SCALE DRAWING	
APPROVALS		DATE	
DRAWN M.ZHANG		11/30/11	
CHECKED			
ISSUED			
SHEET 1 OF 1			
GXD FILE C:/CONNEX/132255.DWG		DWG. NO. 132255.DWG	
PART NO. 132255		REV. C	
PART DESCRIPTION SMA END LAUNCH RECEPT. JACK, RIBBED FLANGE (.062" BOARD THICKNESS)		SIZE A	
		SCALE NA	

Amphenol Connex

Looking for pricing, stock, or lifecycle information?

Click below to explore more details on WIN SOURCE:

-  [View 132255 on WIN SOURCE](#)
-  [Amphenol-RF Division Information](#)

Optimize Your Supply Chain with WIN SOURCE Solutions

-  Global Sourcing Solution
-  Obsolete Management
-  Cost Control Management
-  Shortage Management
-  Alternative Solution
-  Excess Inventory Management