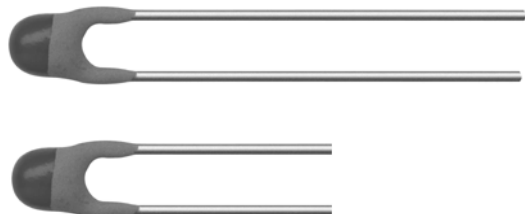




**THE DATASHEET OF  
PTCSL20T131DBE**



## PTC Thermistors, Mini Radial Leaded for Over-Temperature Protection



### FEATURES

- Well-defined protection temperature levels
- Fast reaction time (< 15 s in still air)
- Accurate resistance for ease of circuit design
- Excellent long term behavior (< 1 °C or 5 % after 1000 h at  $T_n + 15$  °C)
- Wide range of protection temperatures (70 °C to 150 °C)
- No need to reset supply after overtemperature switch
- Small size and rugged
- Coated leaded and naked devices available
- Compliant to RoHS directive 2002/95/EC and in accordance to WEEE 2002/96/EC



**RoHS**  
COMPLIANT

### QUICK REFERENCE DATA

PARAMETER	VALUE	UNIT
Maximum resistance at 25 °C	100	Ω
Minimum resistance at ( $T_n + 15$ ) °C	4000	Ω
Maximum voltage	30	V
Temperature range	- 20 to ( $T_n + 15$ )	°C
Weight:		
91102 to 91114	≈ 0.08	g
91152 to 91164	≈ 0.11	g
Climatic category	25/125/56	

### APPLICATIONS

Over-temperature protection and control in:

- Industrial electronics
- Power supplies
- Electronic data processing
- Motor protection

### DESCRIPTION

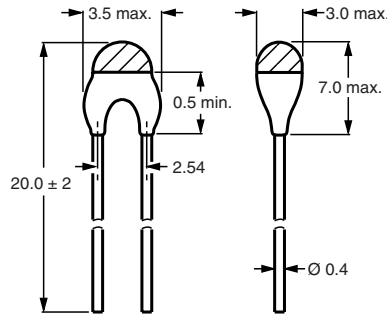
These directly heated thermistors have a positive temperature coefficient and are primarily intended for sensing.

### NOMINAL WORKING TEMPERATURES AND ORDERING INFORMATION

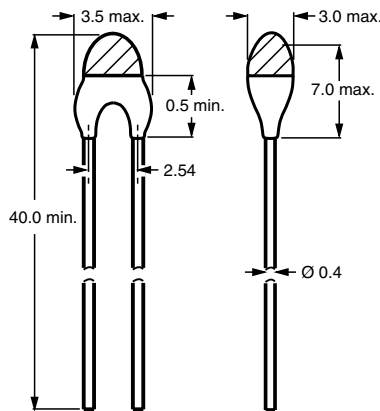
NOMINAL WORKING TEMPERATURE				CATALOG NUMBER 2381 671 .....		
$T_n$ (°C)	RESISTANCE from - 20 °C to $T_n - 20$ °C (Ω)	RESISTANCE at $T_n - 5$ °C (Ω)	RESISTANCE at $T_n + 5$ °C (kΩ)	LEADED DEVICE		COLOR CODE
				NORMAL LEADS	LONG LEADS	
70	30 to 250	50 to 570	0.570 to 50	91102	91152	Black
80	30 to 250	50 to 550	1.33 to 50	91103	91153	Brown
90	30 to 250	50 to 550	1.33 to 50	91104	91154	Red
100	30 to 250	50 to 550	1.33 to 50	91105	91155	Orange
110	30 to 250	50 to 550	1.33 to 50	91106	91156	Yellow
120	30 to 250	50 to 550	1.33 to 50	91107	91157	Green
130	30 to 250	50 to 550	1.33 to 50	91109	91159	Blue
140	30 to 250	50 to 550	1.33 to 50	91112	91162	Violet
150	30 to 250	50 to 550	1.33 to 50	91114	91164	Grey

ELECTRICAL CHARACTERISTICS	
PARAMETER	VALUES
Maximum resistance at 25 °C	100 Ω
Maximum resistance at (T <sub>n</sub> - 5) °C	See Nominal Working Temperatures and Ordering Information table
Minimum resistance at (T <sub>n</sub> + 15) °C	4000 Ω
Minimum resistance at (T <sub>n</sub> + 5) °C	See Nominal Working Temperatures and Ordering Information table
Maximum voltage	30 V (AC or DC)

CATALOG NUMBERS AND PACKAGING				
12NC	SAP	12NC	SAP	SPQ
2381 671 91102	PTCSL20T071DBE	2381 671 91152	PTCSL40T071DBE	500
2381 671 91103	PTCSL20T081DBE	2381 671 91153	PTCSL40T081DBE	500
2381 671 91104	PTCSL20T091DBE	2381 671 91154	PTCSL40T091DBE	500
2381 671 91105	PTCSL20T101DBE	2381 671 91155	PTCSL40T101DBE	500
2381 671 91106	PTCSL20T111DBE	2381 671 91156	PTCSL40T111DBE	500
2381 671 91107	PTCSL20T121DBE	2381 671 91157	PTCSL40T121DBE	500
2381 671 91109	PTCSL20T131DBE	2381 671 91159	PTCSL40T131DBE	500
2381 671 91112	PTCSL20T141DBE	2381 671 91162	PTCSL40T141DBE	500
2381 671 91114	PTCSL20T151DBE	2381 671 91164	PTCSL40T151DBE	500

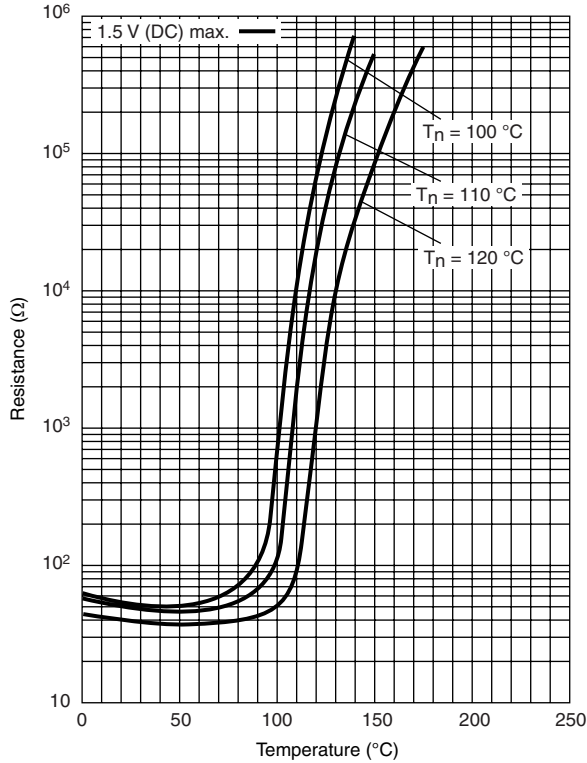
**COMPONENT OUTLINES DIMENSIONS** in millimeters


Component outline for 91102 to 91114

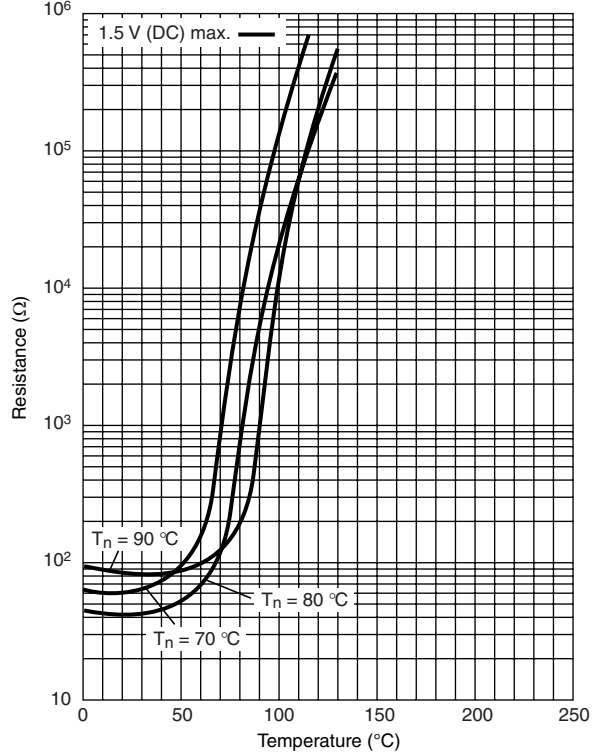


Component outline for 91152 to 91164

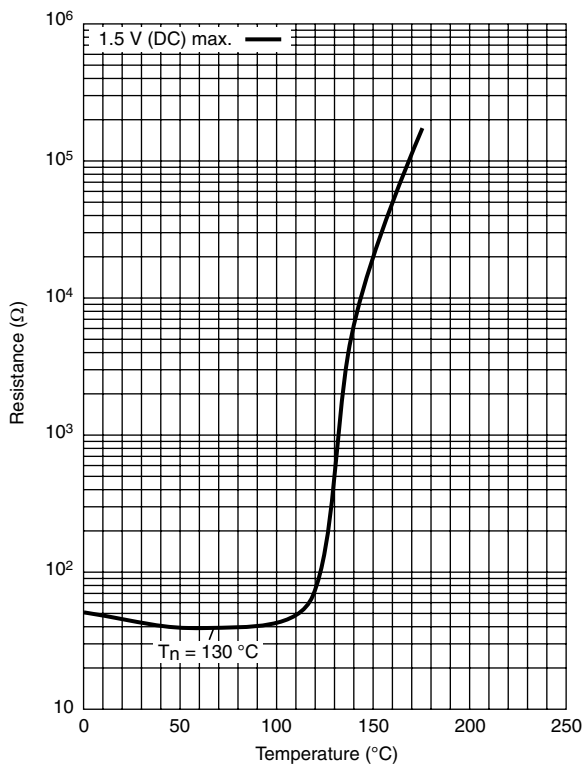
**TYPICAL RESISTANCE/TEMPERATURE CHARACTERISTIC FOR 2381 671 91105/91106 and 91107**



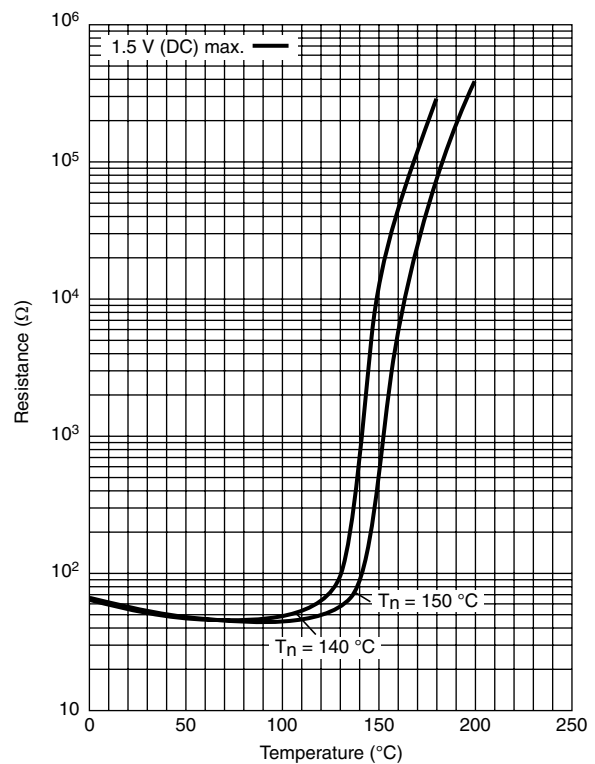
**TYPICAL RESISTANCE/TEMPERATURE CHARACTERISTIC FOR 2381 671 91102/91103 and 91104**



**TYPICAL RESISTANCE/TEMPERATURE CHARACTERISTIC FOR 2381 671 91109**



**TYPICAL RESISTANCE/TEMPERATURE CHARACTERISTIC FOR 2381 671 91112 and 91114**



**APPLICATION SPECIFIC DATA**

Negative Temperature Coefficient (NTC) thermistors are well known for temperature sensing. What is not well known, however, is that Positive Temperature Coefficient (PTC) thermistors can be used for thermal protection. Although their operating principles are similar, the applications are very different; whereas NTC thermistors sense and measure temperature over a defined range, PTC thermistors switch at one particular temperature.

Just like thermostats they protect such equipment and components as motors, transformers, power transistors and thyristors against overtemperature. A PTC thermistor is less expensive than a thermostat, and its switch temperature can be more accurately specified. It is also smaller and easier to design-in to electronic circuitry.

So how does it work? The PTC thermistor is mounted in thermal contact with the equipment to be protected, and connected into the bridge arm of a comparator circuit, such as shown in Fig. 1. At normal temperature, the PTC thermistor resistance ( $R_p$ ) is lower than  $R_s$  (see Fig. 2), so the comparator's output voltage  $V_O$  will be low. If an equipment overtemperature occurs, the PTC thermistor will quickly heat up to its trigger or nominal reference temperature  $T_n$ , whereupon its resistance will increase to a value much higher than  $R_s$ , causing  $V_O$  to switch to a high level sufficient to activate an alarm, relay or power shutdown circuit.

**APPLICATION EXAMPLES**

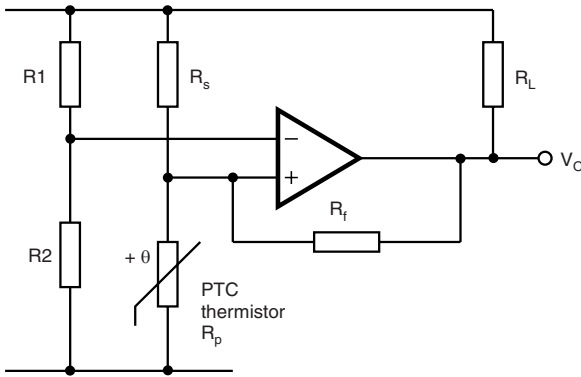


Fig. 1 Typical comparator circuit

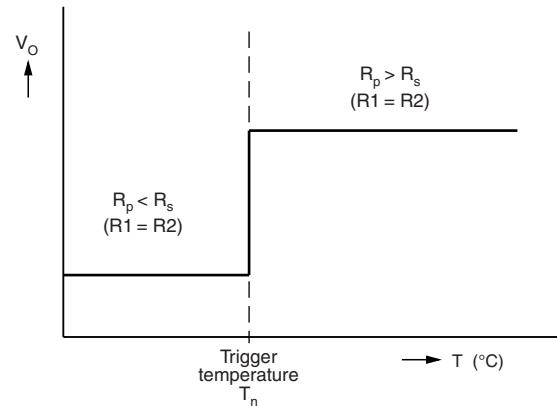
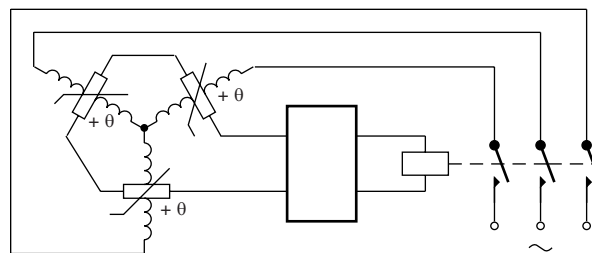


Fig. 2 Typical switch characteristic



As soon as one or more of the windings becomes too hot, the motor is switched off.

Fig. 3 Temperature protection of electric motors



## Disclaimer

ALL PRODUCT, PRODUCT SPECIFICATIONS AND DATA ARE SUBJECT TO CHANGE WITHOUT NOTICE TO IMPROVE RELIABILITY, FUNCTION OR DESIGN OR OTHERWISE.

Vishay Intertechnology, Inc., its affiliates, agents, and employees, and all persons acting on its or their behalf (collectively, "Vishay"), disclaim any and all liability for any errors, inaccuracies or incompleteness contained in any datasheet or in any other disclosure relating to any product.

Vishay makes no warranty, representation or guarantee regarding the suitability of the products for any particular purpose or the continuing production of any product. To the maximum extent permitted by applicable law, Vishay disclaims (i) any and all liability arising out of the application or use of any product, (ii) any and all liability, including without limitation special, consequential or incidental damages, and (iii) any and all implied warranties, including warranties of fitness for particular purpose, non-infringement and merchantability.

Statements regarding the suitability of products for certain types of applications are based on Vishay's knowledge of typical requirements that are often placed on Vishay products in generic applications. Such statements are not binding statements about the suitability of products for a particular application. It is the customer's responsibility to validate that a particular product with the properties described in the product specification is suitable for use in a particular application. Parameters provided in datasheets and/or specifications may vary in different applications and performance may vary over time. All operating parameters, including typical parameters, must be validated for each customer application by the customer's technical experts. Product specifications do not expand or otherwise modify Vishay's terms and conditions of purchase, including but not limited to the warranty expressed therein.

Except as expressly indicated in writing, Vishay products are not designed for use in medical, life-saving, or life-sustaining applications or for any other application in which the failure of the Vishay product could result in personal injury or death. Customers using or selling Vishay products not expressly indicated for use in such applications do so at their own risk. Please contact authorized Vishay personnel to obtain written terms and conditions regarding products designed for such applications.

No license, express or implied, by estoppel or otherwise, to any intellectual property rights is granted by this document or by any conduct of Vishay. Product names and markings noted herein may be trademarks of their respective owners.

## Material Category Policy

**Vishay Intertechnology, Inc. hereby certifies that all its products that are identified as RoHS-Compliant fulfill the definitions and restrictions defined under Directive 2011/65/EU of The European Parliament and of the Council of June 8, 2011 on the restriction of the use of certain hazardous substances in electrical and electronic equipment (EEE) - recast, unless otherwise specified as non-compliant.**

**Please note that some Vishay documentation may still make reference to RoHS Directive 2002/95/EC. We confirm that all the products identified as being compliant to Directive 2002/95/EC conform to Directive 2011/65/EU.**

**Vishay Intertechnology, Inc. hereby certifies that all its products that are identified as Halogen-Free follow Halogen-Free requirements as per JEDEC JS709A standards. Please note that some Vishay documentation may still make reference to the IEC 61249-2-21 definition. We confirm that all the products identified as being compliant to IEC 61249-2-21 conform to JEDEC JS709A standards.**

## Looking for pricing, stock, or lifecycle information?

Click below to explore more details on WIN SOURCE:

 [View PTCSL20T131DBE on WIN SOURCE](#)

 [Vishay Information](#)

## Optimize Your Supply Chain with WIN SOURCE Solutions

-  Global Sourcing Solution
-  Obsolete Management
-  Cost Control Management
-  Shortage Management
-  Alternative Solution
-  Excess Inventory Management