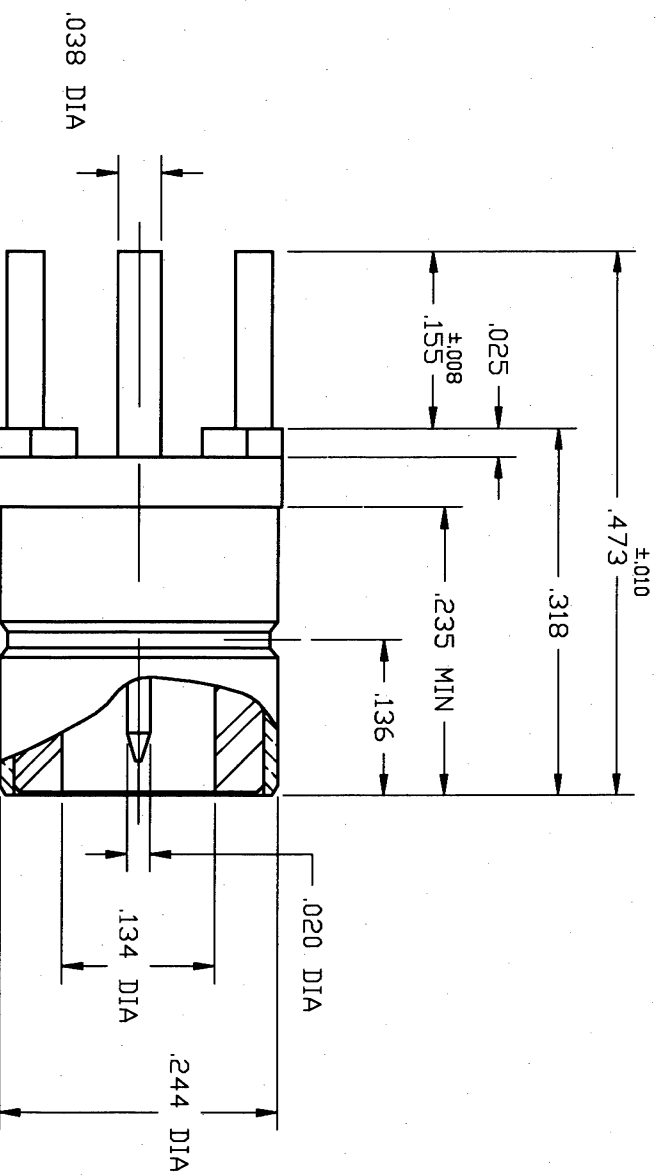




**THE DATASHEET OF
903-523J-71P**



903-523J-71P		REVISIONS	
DRAWING NO.	REV	DESCRIPTION	DATE
THIRD ANGLE PROJ. Φ ∇	A	OFFICIAL ENG. RELEASE TO MFG.	9/19/95
			ECO 40912
			APPN <i>[Signature]</i>



CUSTOMER DRAWING

DRAWN P. BRENZEL	DATE 8-23-95	TITLE 75 DHM SMB JACK PC MDUNT	Amphenol Amphenol Corporation RF/Microwave Operations Danbury, Conn. U.S.A. 06810	
ENGINEER	DATE		SCALE: 6:1	SHEET 2 OF 2
APPROVED <i>[Signature]</i>	DATE 11 Sept 95			ISSUE A
CAD FILE H:\PETE\SMB\903\ASSY\523J71PC		CODE ID 74868	DWG SIZE B	DRAWING NO. 903-523J-71P

107-964513

Looking for pricing, stock, or lifecycle information?

Click below to explore more details on WIN SOURCE:

[View 903-523J-71P on WIN SOURCE](#)

[Amphenol-RF Division Information](#)

Optimize Your Supply Chain with WIN SOURCE Solutions

- ✓ Global Sourcing Solution
- ✓ Obsolete Management
- ✓ Cost Control Management
- ✓ Shortage Management
- ✓ Alternative Solution
- ✓ Excess Inventory Management