

Flat Vibration Switch – Breadboard friendly

PRODUCT ID: 4081

This is a low sensitivity, directional vibration-induced trigger switch. Inside is a very soft spring coiled around a long metal pin. When the switch is bumped *from the side only*, the spring attached to the first pin touches the center pole to make contact with the second pin. So when there's a bump, the two pins will act like a closed switch. When everything is still, the switch is open. Great for educational projects and wearables!

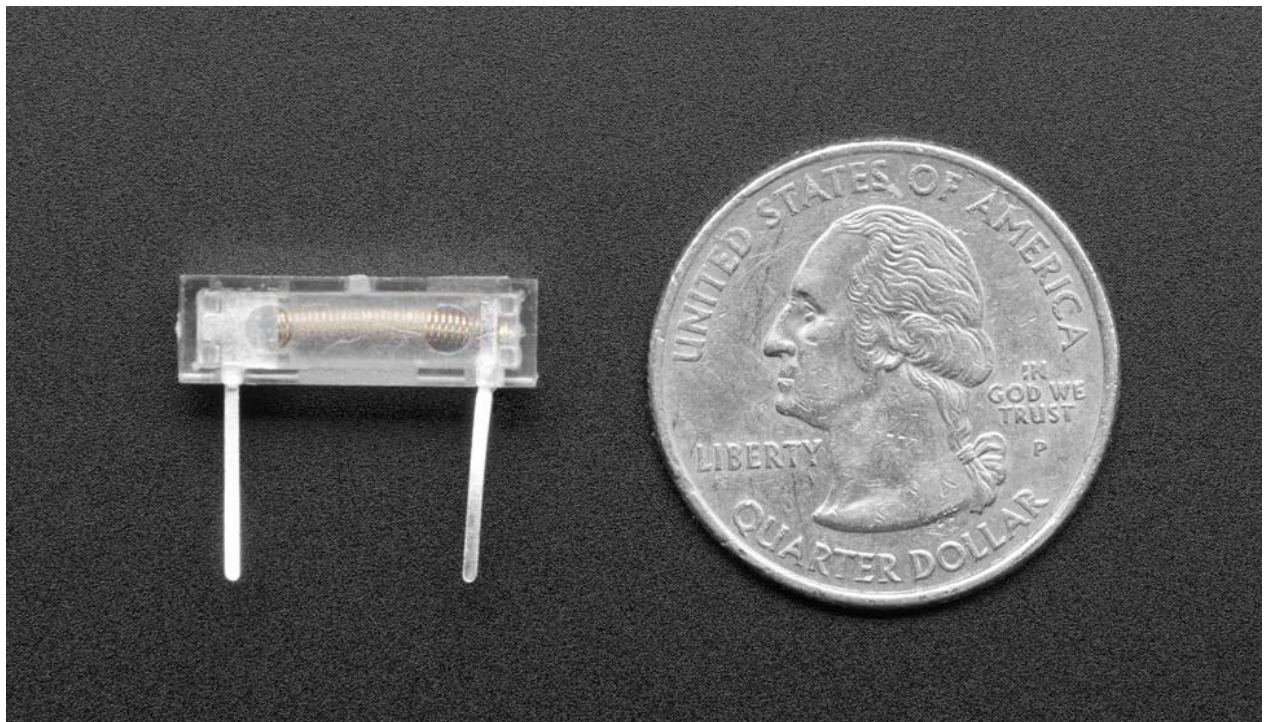
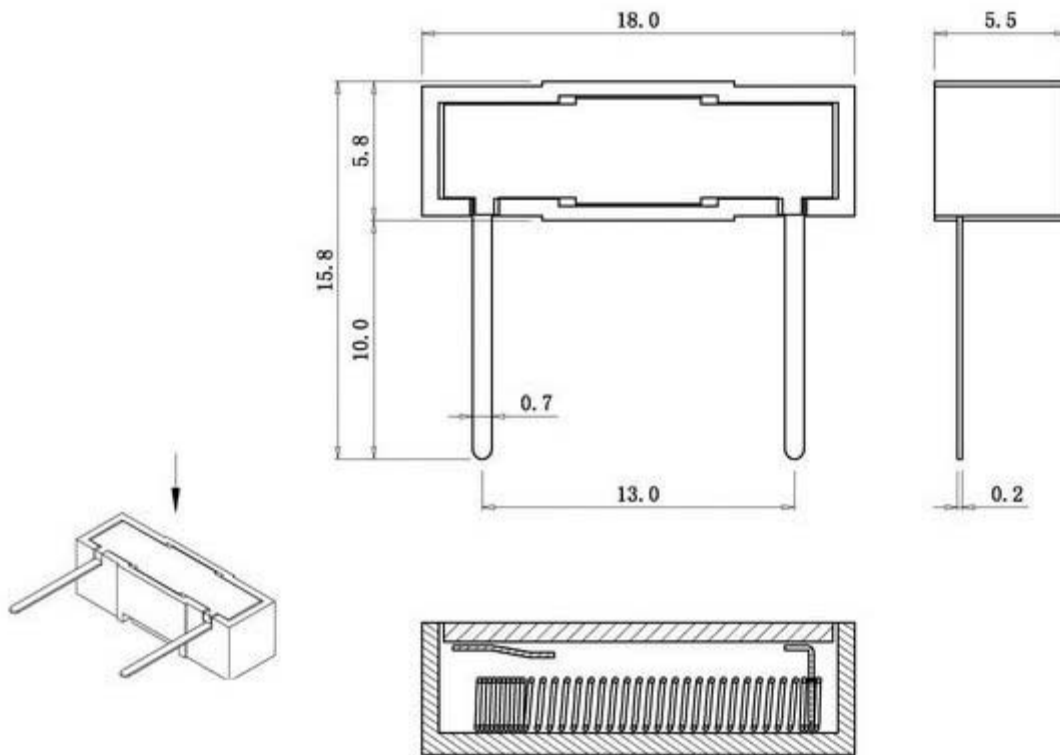
Compared to most vibration switches, this one is flat, and will solder nicely into a PCB without sticking up, and is also breadboard friendly.

TECHNICAL DETAILS

Product Dimensions: 18.0mm x 15.8mm x 5.5mm / 0.7" x 0.6" x 0.2"

Product Weight: 0.5g / 0.0oz



- Diagram



<https://www.adafruit.com/product/4081/2-8-19>

Looking for pricing, stock, or lifecycle information?

Click below to explore more details on WIN SOURCE:

-  [View 4081 on WIN SOURCE](#)
-  [Adafruit Industries LLC Information](#)

Optimize Your Supply Chain with WIN SOURCE Solutions

-  Global Sourcing Solution
-  Obsolete Management
-  Cost Control Management
-  Shortage Management
-  Alternative Solution
-  Excess Inventory Management