



**THE DATASHEET OF  
ALD1106SBL**





## QUAD/DUAL N-CHANNEL MATCHED PAIR MOSFET ARRAY

### GENERAL DESCRIPTION

The ALD1106/ALD1116 are monolithic quad/dual N-channel enhancement mode matched MOSFET transistor arrays intended for a broad range of precision analog applications. The ALD1106/ALD1116 offer high input impedance and negative current temperature coefficient. The transistor pairs are matched for minimum offset voltage and differential thermal response, and they are designed for precision analog switching and amplifying applications in +2V to +10V systems where low input bias current, low input capacitance and fast switching speed are desired. These MOSFET devices feature very large (almost infinite) current gain in a low frequency, or near DC, operating environment. The ALD1106/ALD1116 are building blocks for differential amplifier input stages, transmission gates, multiplexer applications, current sources and many precision analog circuits.

### FEATURES

- Low threshold voltage of 0.7V
- Low input capacitance
- Low Vos -- 2mV typical
- High input impedance --  $10^{14}\Omega$  typical
- Negative current ( $I_{DS}$ ) temperature coefficient
- Enhancement-mode (normally off)
- DC current gain  $10^9$
- Low input and output leakage currents
- RoHS compliant

### ORDERING INFORMATION ("L" suffix denotes lead-free (RoHS))

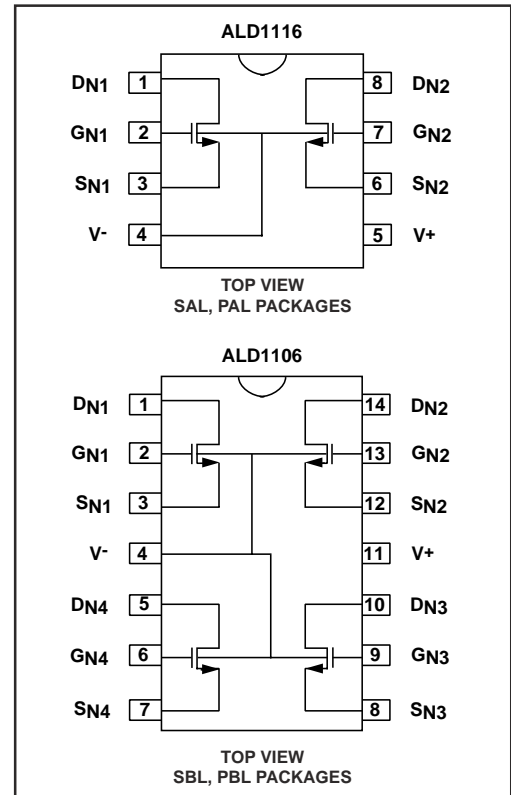
Operating Temperature Range*	
0°C to +70°C	0°C to +70°C
8-Pin SOIC Package	8-Pin Plastic Dip Package
ALD1116SAL	ALD1116PAL
14-Pin SOIC Package	14-Pin Plastic Dip Package
ALD1106SBL	ALD1106PBL

\* Contact factory for high temperature versions.

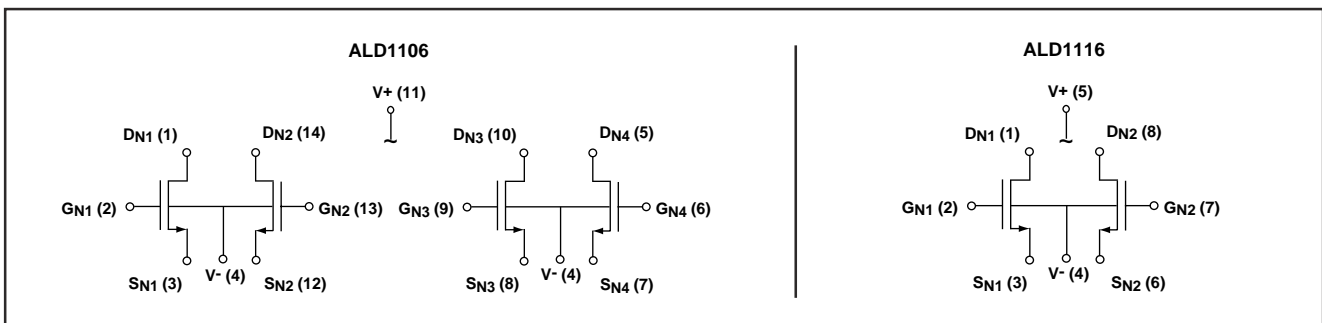
### APPLICATIONS

- Precision current mirrors
- Precision current sources
- Voltage choppers
- Differential amplifier input stage
- Voltage comparator
- Data converters
- Sample and Hold
- Analog signal processing

### PIN CONFIGURATION



### BLOCK DIAGRAMS



## ABSOLUTE MAXIMUM RATINGS

Drain-source voltage,  $V_{DS}$  \_\_\_\_\_ 10V  
 Gate-source voltage,  $V_{GS}$  \_\_\_\_\_ 10V  
 Power dissipation \_\_\_\_\_ 500mW  
 Operating temperature range SAL, PAL, SBL, PBL packages \_\_\_\_\_ 0°C to +70°C  
 Storage temperature range \_\_\_\_\_ -65°C to +150°C  
 Lead temperature, 10 seconds \_\_\_\_\_ +260°C

**CAUTION: ESD Sensitive Device. Use static control procedures in ESD controlled environment.**

## OPERATING ELECTRICAL CHARACTERISTICS

$T_A = 25^\circ\text{C}$  unless otherwise specified

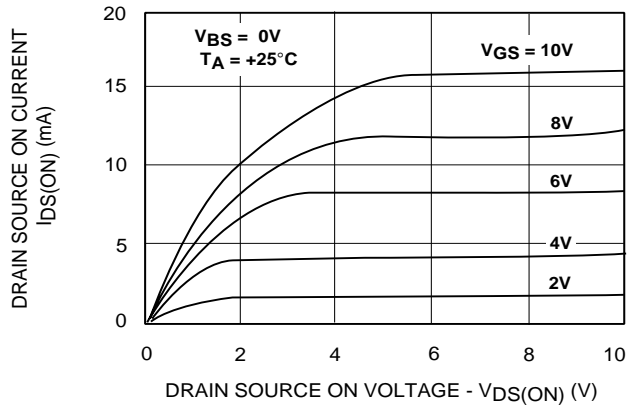
Parameter	Symbol	ALD1106			ALD1116			Unit	Test Conditions
		Min	Typ	Max	Min	Typ	Max		
Gate Threshold Voltage	$V_T$	0.4	0.7	1.0	0.4	0.7	1.0	V	$I_{DS} = 1.0\mu\text{A}$ $V_{GS} = V_{DS}$
Offset Voltage $V_{GS1}-V_{GS2}$	$V_{OS}$		2	10		2	10	mV	$I_{DS} = 10\mu\text{A}$ $V_{GS} = V_{DS}$
Gate Threshold Temperature Drift <sup>2</sup>	$TC_{VT}$		-1.2			-1.2		mV/°C	
On Drain Current	$I_{DS(ON)}$	3.0	4.8		3.0	4.8		mA	$V_{GS} = V_{DS} = 5\text{V}$
Transconductance	$G_{IS}$	1.0	1.8		1.0	1.8		mmho	$V_{DS} = 5\text{V}$ $I_{DS} = 10\text{mA}$
Mismatch	$\Delta G_{fs}$		0.5			0.5		%	
Output Conductance	$G_{OS}$		200			200		$\mu\text{mho}$	$V_{DS} = 5\text{V}$ $I_{DS} = 10\text{mA}$
Drain Source On Resistance	$R_{DS(ON)}$		350	500		350	500	$\Omega$	$V_{DS} = 0.1\text{V}$ $V_{GS} = 5\text{V}$
Drain Source On Resistance Mismatch	$\Delta_{DS(ON)}$		0.5			0.5		%	$V_{DS} = 0.1\text{V}$ $V_{GS} = 5\text{V}$
Drain Source Breakdown Voltage	$BV_{DSS}$	10			10			V	$I_{DS} = 1.0\mu\text{A}$ $V_{GS} = 0\text{V}$
Off Drain Current <sup>1</sup>	$I_{DS(OFF)}$		10	400 4		10	400 4	pA nA	$V_{DS} = 10\text{V}$ $V_{GS} = 0\text{V}$ $T_A = 125^\circ\text{C}$
Gate Leakage Current	$I_{GSS}$		1	100 1		1	100 1	pA nA	$V_{DS} = 0\text{V}$ $V_{GS} = 10\text{V}$ $T_A = 125^\circ\text{C}$
Input Capacitance <sup>2</sup>	$C_{ISS}$		1	3		1	3	pF	

Notes: <sup>1</sup> Consists of junction leakage currents

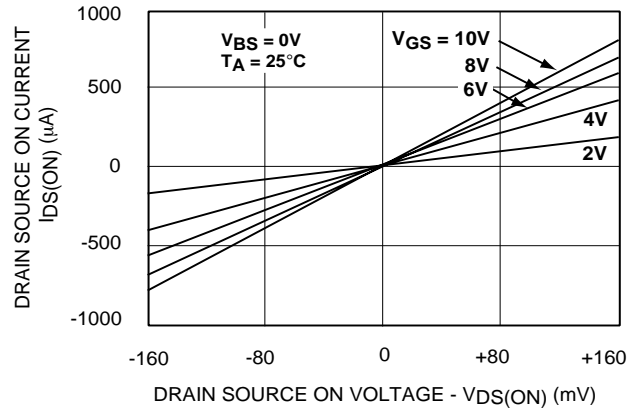
<sup>2</sup> Sample tested parameters

# TYPICAL PERFORMANCE CHARACTERISTICS

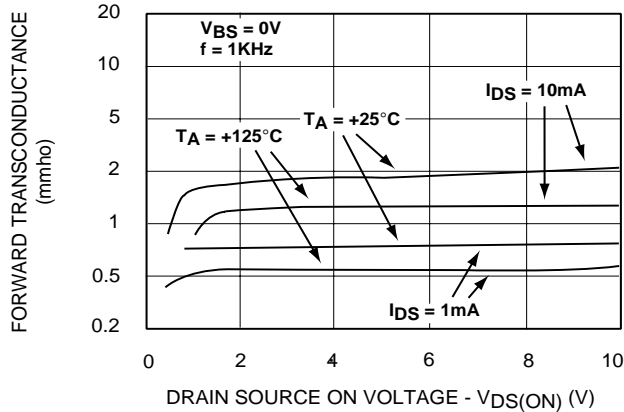
## OUTPUT CHARACTERISTICS



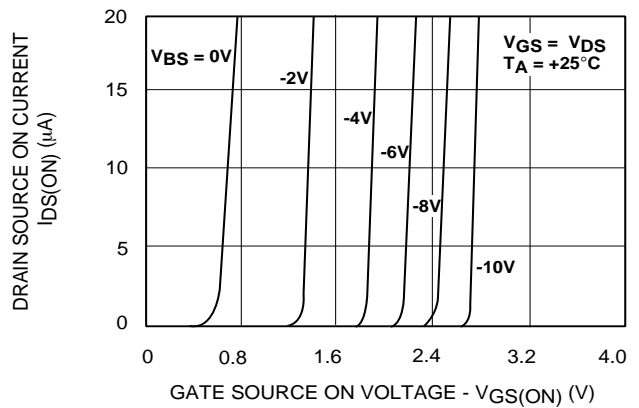
## LOW VOLTAGE OUTPUT CHARACTERISTICS



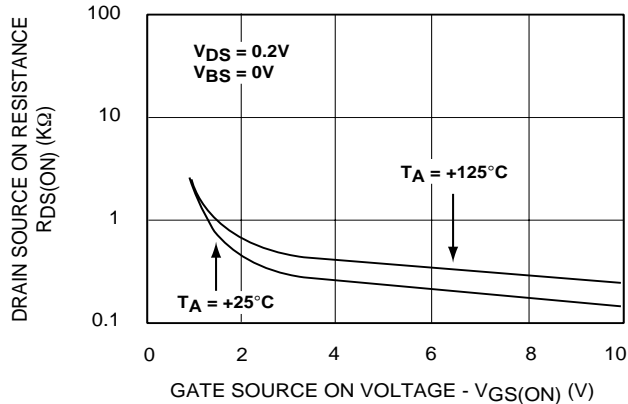
## FORWARD TRANSCONDUCTANCE vs. DRAIN-SOURCE VOLTAGE



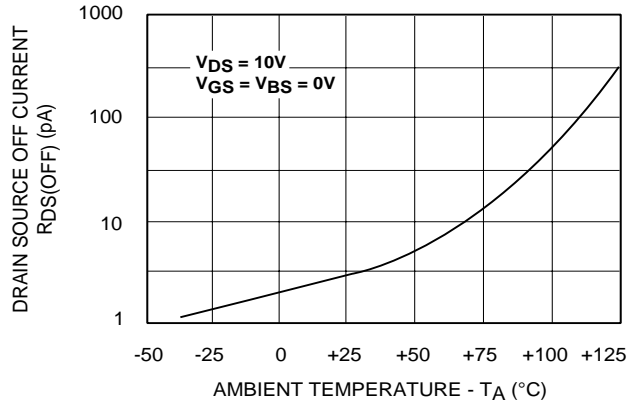
## TRANSFER CHARACTERISTIC WITH SUBSTRATE BIAS



## DRAIN SOURCE ON RESISTANCE vs. GATE-SOURCE VOLTAGE

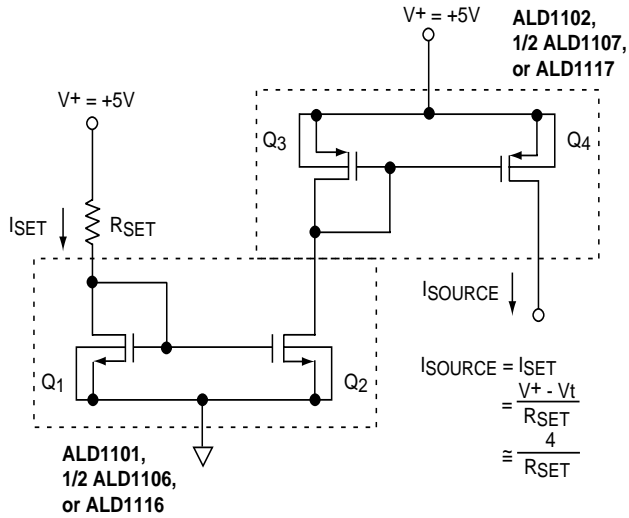


## DRAIN SOURCE OFF CURRENT vs. AMBIENT TEMPERATURE



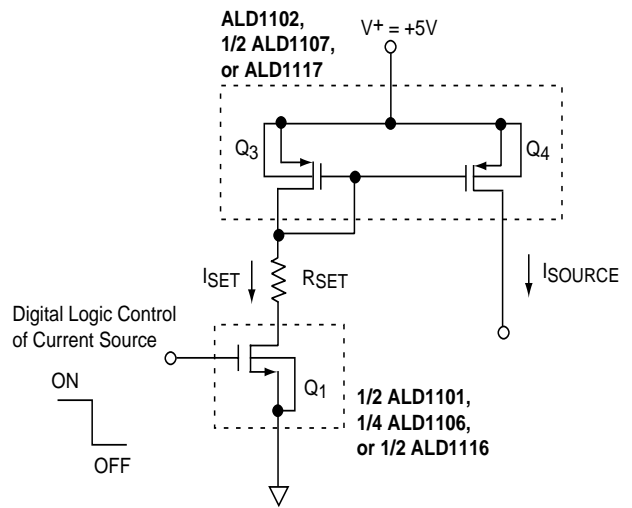
# TYPICAL APPLICATIONS

## CURRENT SOURCE MIRROR



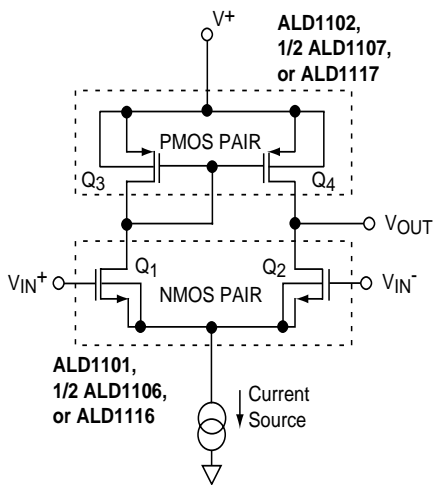
Q1, Q2: N-Channel MOSFET  
 Q3, Q4: P-Channel MOSFET

## CURRENT SOURCE WITH GATE CONTROL



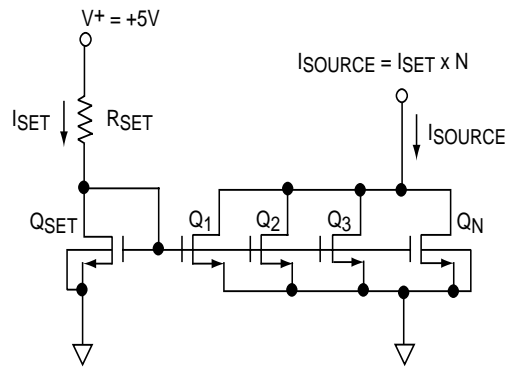
Q1 : N-Channel MOSFET  
 Q3, Q4: P-Channel MOSFET

## DIFFERENTIAL AMPLIFIER



Q1, Q2: N-Channel MOSFET  
 Q3, Q4: P-Channel MOSFET

## CURRENT SOURCE MULTIPLICATION

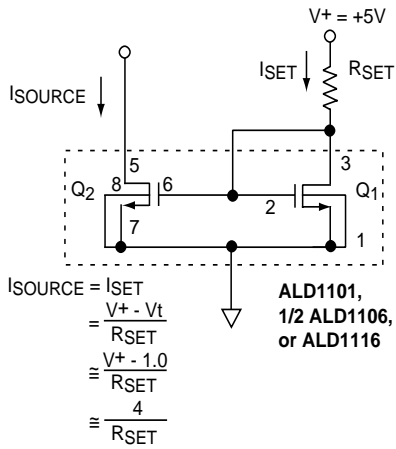


QSET, Q1..QN: ALD1101, ALD1106, or ALD1116  
 N-Channel MOSFET

## TYPICAL APPLICATIONS (cont.)

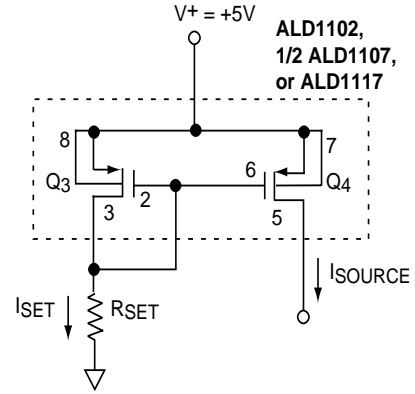
### BASIC CURRENT SOURCES

#### N-CHANNEL CURRENT SOURCE



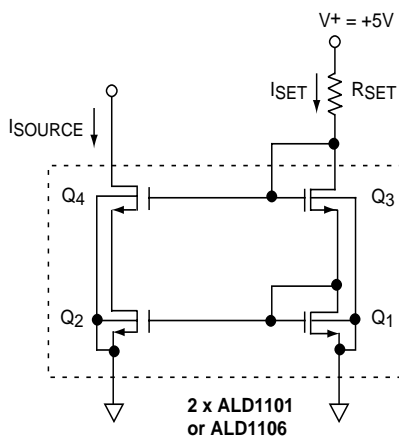
Q1, Q2: N-Channel MOSFET

#### P-CHANNEL CURRENT SOURCE

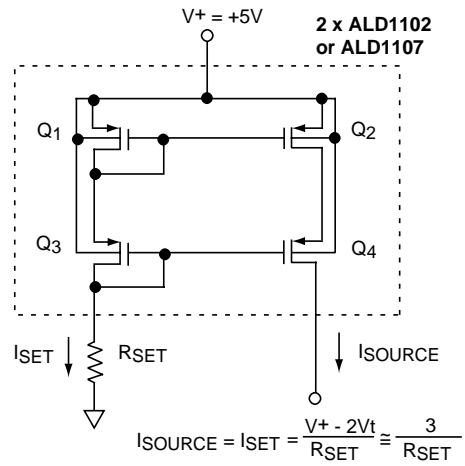


Q3, Q4: P-Channel MOSFET

### CASCODE CURRENT SOURCES



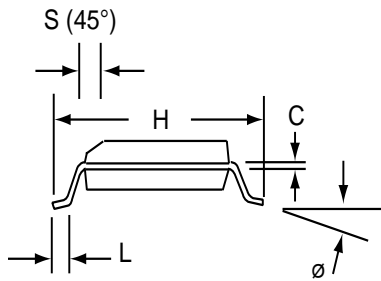
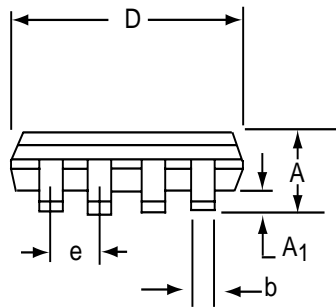
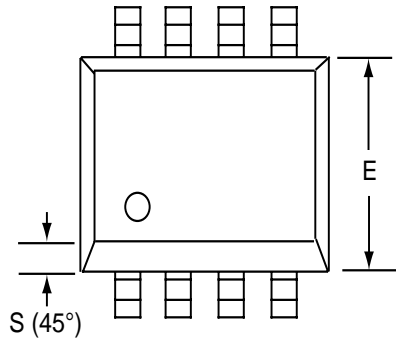
Q1, Q2, Q3, Q4: N-Channel MOSFET  
(ALD1101 or ALD1103)



Q1, Q2, Q3, Q4: P-Channel MOSFET  
(ALD1102 or ALD1103)

# SOIC-8 PACKAGE DRAWING

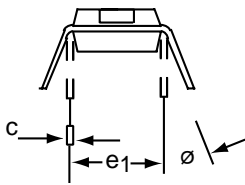
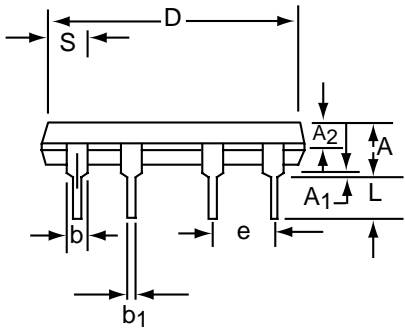
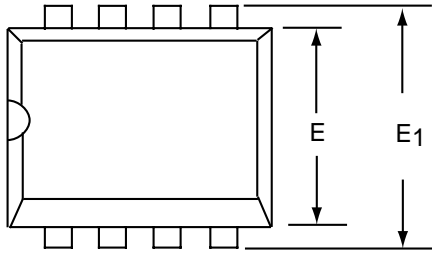
## 8 Pin Plastic SOIC Package



Dim	Millimeters		Inches	
	Min	Max	Min	Max
A	1.35	1.75	0.053	0.069
A <sub>1</sub>	0.10	0.25	0.004	0.010
b	0.35	0.45	0.014	0.018
C	0.18	0.25	0.007	0.010
D-8	4.69	5.00	0.185	0.196
E	3.50	4.05	0.140	0.160
e	1.27 BSC		0.050 BSC	
H	5.70	6.30	0.224	0.248
L	0.60	0.937	0.024	0.037
∅	0°	8°	0°	8°
S	0.25	0.50	0.010	0.020

# PDIP-8 PACKAGE DRAWING

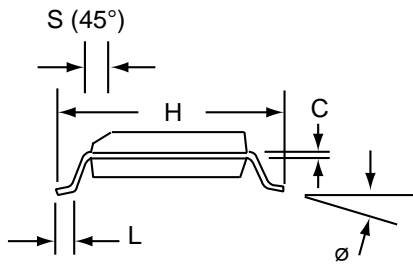
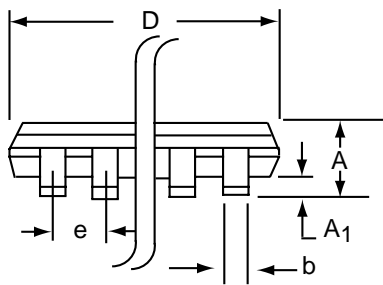
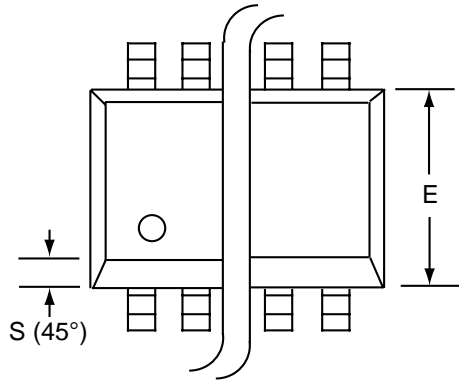
## 8 Pin Plastic DIP Package



Dim	Millimeters		Inches	
	Min	Max	Min	Max
A	3.81	5.08	0.105	0.200
A <sub>1</sub>	0.38	1.27	0.015	0.050
A <sub>2</sub>	1.27	2.03	0.050	0.080
b	0.89	1.65	0.035	0.065
b <sub>1</sub>	0.38	0.51	0.015	0.020
c	0.20	0.30	0.008	0.012
D-8	9.40	11.68	0.370	0.460
E	5.59	7.11	0.220	0.280
E <sub>1</sub>	7.62	8.26	0.300	0.325
e	2.29	2.79	0.090	0.110
e <sub>1</sub>	7.37	7.87	0.290	0.310
L	2.79	3.81	0.110	0.150
S-8	1.02	2.03	0.040	0.080
∅	0°	15°	0°	15°

# SOIC-14 PACKAGE DRAWING

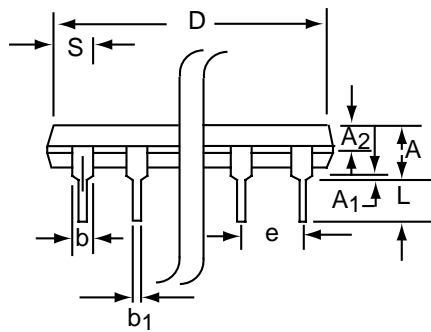
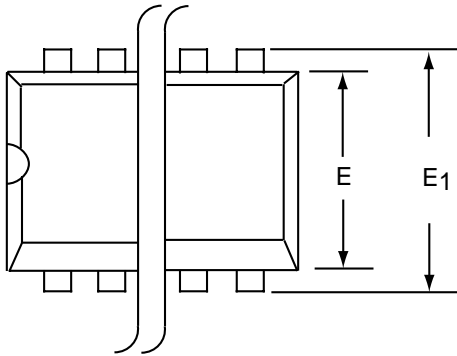
## 14 Pin Plastic SOIC Package



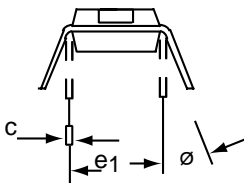
Dim	Millimeters		Inches	
	Min	Max	Min	Max
A	1.35	1.75	0.053	0.069
A <sub>1</sub>	0.10	0.25	0.004	0.010
b	0.35	0.45	0.014	0.018
C	0.18	0.25	0.007	0.010
D-14	8.55	8.75	0.336	0.345
E	3.50	4.05	0.140	0.160
e	1.27 BSC		0.050 BSC	
H	5.70	6.30	0.224	0.248
L	0.60	0.937	0.024	0.037
ø	0°	8°	0°	8°
S	0.25	0.50	0.010	0.020

# PDIP-14 PACKAGE DRAWING

## 14 Pin Plastic DIP Package



Dim	Millimeters		Inches	
	Min	Max	Min	Max
A	3.81	5.08	0.105	0.200
A <sub>1</sub>	0.38	1.27	0.015	0.050
A <sub>2</sub>	1.27	2.03	0.050	0.080
b	0.89	1.65	0.035	0.065
b <sub>1</sub>	0.38	0.51	0.015	0.020
c	0.20	0.30	0.008	0.012
D-14	17.27	19.30	0.680	0.760
E	5.59	7.11	0.220	0.280
E <sub>1</sub>	7.62	8.26	0.300	0.325
e	2.29	2.79	0.090	0.110
e <sub>1</sub>	7.37	7.87	0.290	0.310
L	2.79	3.81	0.110	0.150
S-14	1.02	2.03	0.040	0.080
∅	0°	15°	0°	15°



## Looking for pricing, stock, or lifecycle information?

Click below to explore more details on WIN SOURCE:

- ⊖ [View ALD1106SBL on WIN SOURCE](#)
- ⊖ [Advanced Linear Devices Inc. Information](#)

## Optimize Your Supply Chain with WIN SOURCE Solutions

- ✓ Global Sourcing Solution
- ✓ Obsolete Management
- ✓ Cost Control Management
- ✓ Shortage Management
- ✓ Alternative Solution
- ✓ Excess Inventory Management