



**THE DATASHEET OF
AZ2150-1A-24DEF**



AZ2150

MINIATURE POWER RELAY

FEATURES

- 40 Amp switching capability
- 1 Form A, B and C contacts available
- Life expectancy to 10 million operations
- Class F (155°C) version available
- Available with an epoxy seal for automatic wave soldering and immersion cleaning
- Proof Tracking Index (PTI/CTI) 175
- UL, CUR file E44211 with versions meeting UL 508 and UL 873 spacing and contact rating requirements
- VDE certificate 40023154 (AZ2150-1A and 1C only)



CONTACTS

| | |
|---|--|
| Arrangement | SPST-N.O. (1 Form A) SPST-N.C. (1 Form B) SPDT (1 Form C) |
| Ratings (max.) switched power switched current switched voltage | (resistive load) 900 W or 10000 VA 40 A (Form A), 30 A (Form B) 30VDC* or 300VAC * Note: If switching voltage is greater than 30 VDC, special precautions must be taken. Please contact the factory. |
| Rated Loads UL/CUR VDE | See pg.2 for UL/CUR approved contact ratings 1 Form A - class F coil wire, AgCdO 25 A at 250 VAC, 10k cycles, resistive 1 Form A - class B coil wire, AgCdO 20 A at 250 VAC, 10k cycles, resistive 1 Form C, AgCdO NO: 20 A at 250 VAC, 10k cycles, resistive NC: 10 A at 250 VAC, 10k cycles, resistive |
| Contact materials | AgSnO ₂ (silver tin oxide) AgCdO (silver cadmium oxide) |
| Contact resistance initial | (load contact, voltage drop method) ≤ 20 mΩ |

COIL

| | |
|--|--|
| Nominal coil DC voltages | 5, 6, 9, 12, 15, 18, 24, 48, 70, 110 |
| Dropout voltage | > 10% of nominal coil voltage |
| Holding voltage | > 35% of nominal coil voltage |
| Coil power nominal max. continuous at pickup voltage | (at 23°C) 0.9 W 2.2 W at 20°C (68°F) ambient 1.8 W at 40°C (104°F) ambient 500 mW (typ.) |
| Temperature Rise | 43 K (77°F) at nom. coil voltage |
| Max. temperature | 130°C (266°F) - class B coil wire 155°C (311°F) - class F coil wire |

GENERAL DATA

| | |
|---|---|
| Life Expectancy mechanical electrical | (minimum operations) 1 x 10 ⁷ 1 x 10 ⁵ at 30 A 125 VAC resistive (N.O.) |
| Operate Time | 8 ms (typ.), 12 ms (max.) at nominal coil voltage |
| Release Time | 3.5 ms (typ.), 5 ms (max.) at nominal coil voltage, w/o coil suppression |
| Dielectric Strength coil to load contacts open load contacts | (at sea level for 1 min.) 2500 V _{RMS} 4000 V _{RMS} (high dielectric strength version) 1500 V _{RMS} |
| Insulation Resistance | 1000 MΩ (min.) at 20°C, 500 VDC, 50% RH |
| Temperature Range operating | (at nominal coil voltage) -55°C (-67°F) to 85°C (185°F) - class B coil -55°C (-67°F) to 105°C (221°F) - class F coil |
| Vibration resistance | 0.062" (1.5 mm) DA at 10–55 Hz |
| Shock | 20 g |
| Enclosure flammability | P.B.T. polyester UL94 V-0 |
| Terminals | Tinned copper alloy, P. C. |
| Soldering max. temperature max. time | 270 °C (518°F) 5 s |
| Cleaning max. Solvent Temp. max. Immersion Time | 80°C (176°F) 30 seconds |
| Dimensions length width height | 31.8 mm (1.25") 26.9 mm (1.06") 19.1 mm (0.75") |
| Weight | 25 grams (approx.) |
| Compliance | UL 508, IEC 61810-1 |
| Packing unit in pcs | 40 per plastic tray / 400 per carton box |

ZETTLER

AZ2150

UL/CUR APPROVED CONTACT RATINGS (AgCdO)

| Load type | Cycles | Volts | Form A | Form B | Form C | |
|-----------------------------|-------------------------|---------|----------------------|------------------|----------------------|------------------|
| | | | N.O. | N.C. | N.O. | N.C. |
| General purpose (inductive) | 100,000 | 240 VAC | 30 A | 15 A | 30 A | 15 A |
| | 30,000 | 277 VAC | 30 A | 30 A | 30 A | 30 A |
| Resistive | 100,000 | 240 VAC | 30 A | 15 A | - | - |
| | 100,000 | 30 VDC | 20 A | 10 A | 20 A | 10A |
| | 100,000 | 277 VAC | 20 A | - | - | - |
| | 100,000 ¹⁾ | 240 VAC | 15 A | - | - | - |
| | 30,000 ¹⁾ | 250 VAC | 23 A | - | - | - |
| | 25,000 | 240 VAC | 20 A | 10 A | 20 A | 10 A |
| | 6,000 | 277 VAC | 12 A | 6 A | 12 A | 6 A |
| | 6,000 | 250 VAC | 40 A | - | 40 A | - |
| Ballast | 6,000 | 277 VAC | 6 A | 3 A | 6 A | 3 A |
| Pilot Duty | 100,000 | 277 VAC | 764 VA | - | 764 VA | - |
| | 100,000 | 125 VAC | 690 VA | - | 690 VA | - |
| | 30,000 | 125 VAC | 800 VA | - | 800 VA | - |
| | 6,000 | 240 VAC | 1152 VA | 768 VA | 1152 VA | 768 VA |
| | 6,000 | 125 VAC | 800 VA | 290 VA | 800 VA | 290 VA |
| Motor Load | 100,000 | 125 VAC | ¾ HP | - | ¾ HP | - |
| | 100,000 | 277 VAC | ¾ HP | - | ¾ HP | - |
| | 30,000 | 125 VAC | 1 HP | - | 1 HP | - |
| | 6,000 | 125 VAC | 1 HP | ¼ HP | 1 HP | ¼ HP |
| | 6,000 | 240 VAC | 2 HP | 1 HP | 2 HP | 2 HP |
| | 6,000 ³⁾ | 240 VAC | 3 HP | - | - | - |
| Tungsten | 6,000 | 120 VAC | 5 A | 3 A | 5 A | 3 A |
| | 6,000 | 240 VAC | 5 A | 3 A | 5 A | 3 A |
| | 6,000 | 125 VAC | 15 A | - | 15 A | - |
| TV-5 | 25,000 | 120 VAC | TV-5 | - | TV-5 | TV-3 |
| TV-3 | 25,000 | 120 VAC | - | TV-3 | - | TV-3 |
| Definite Purpose | 100,000 | 277 VAC | 60 LRA 20 FLA | - | 60 LRA 20 FLA | - |
| | 100,000 | 125 VAC | 82.8 LRA 27 FLA | - | 82.8 LRA 27 FLA | - |
| | 100,000 ²⁾⁴⁾ | 240 VAC | 75 LRA 15 FLA | - | - | - |
| | 30,000 | 240 VAC | 80 LRA 30 FLA | 33 LRA 10 FLA | 60 LRA 30 FLA | 33 LRA 10 FLA |
| | 30,000 | 125 VAC | 96 LRA 30 FLA | 33 LRA 10 FLA | 60 LRA 30 FLA | 33 LRA 10 FLA |
| | 30,000 ²⁾ | 240 VAC | 60 LRA 20 FLA | - | 60 LRA 20 FLA | - |
| | 30,000 ²⁾ | 125 VAC | 60 LRA 20 FLA | 30 LRA 12 FLA | 60 LRA 20 FLA | 30 LRA 12 FLA |
| | 30,000 ²⁾ | 120 VAC | 82.8 LRA 13.8 FLA | - | 82.8 LRA 13.8 FLA | - |

Notes to table UL/CUR APPROVED CONTACT RATINGS—AgCdO

- 1) Ambient temperature: 98°C max. for sealed version, 105°C max. for unsealed class F version (reduced contact load)
- 2) Ambient temperature: 85°C
- 3) Ambient temperature: 65°C
- 4) Tested per UL 60730-1A/CSA 60730-1A using 1 sec. On, 9 sec. Off at 0.4 to 0.5 power factor for overload test

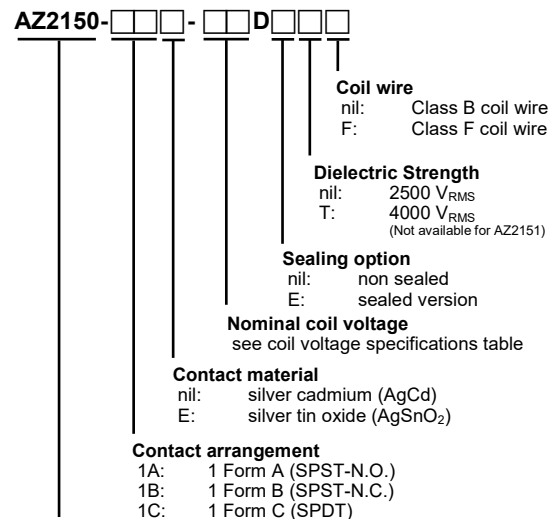
UL/CUR APPROVED CONTACT RATINGS (AgSnO2)

| Load type | Cycles | Volts | Form A | Form B | Form C | |
|-------------|-----------------------|---------|--------|--------|--------|------|
| | | | N.O. | N.C. | N.O. | N.C. |
| General Use | 100,000 | 125 VAC | 30 A | 15 A | 30 A | 15 A |
| | 100,000 | 240 VAC | 20 A | 15 A | 20 A | 15 A |
| | 30,000 | 277 VAC | 30 A | 30 A | 30 A | 30 A |
| | 100,000 | 30 VDC | 20 A | 10 A | 20 A | 10 A |
| Resistive | 6,000 | 250 VAC | 40 A | - | - | - |
| | 100,000 ¹⁾ | 240 VAC | 30 A | - | - | - |
| | 80,000 ²⁾ | 240 VAC | 20.3 A | - | 20.3 A | - |
| | 100,000 ²⁾ | 240 VAC | 18 A | - | 18 A | - |
| | 6,000 ²⁾ | 240 VAC | - | 17 A | - | 17 A |
| Motor Load | 6,000 | 250 VAC | 1 HP | - | 1 HP | 1 HP |

Notes to table UL/CUR APPROVED CONTACT RATINGS—AgSnO

- 1) Ambient temperature: 70°C
- 2) Ambient temperature: 105°C

ORDERING DATA



Series

AZ2150: 1/8" Clearance, 1/4" Creepage meeting UL 508 Group A spacing and UL 873 refrigeration and safety control requirements.

AZ2151: 1/16" Clearance, 1/8" Creepage meeting UL 508 Group B spacing requirements.

Example ordering data

- AZ2150-1A-9D 4 terminals, 1 Form A, AgCdO contacts, 9 VDC nominal coil voltage, non sealed, class B coil wire
- AZ2150-1CE-24DEF 5 terminals, 1 Form C, AgSnO₂ contacts, 24 VDC nominal coil voltage, sealed, class F coil wire
- AZ2151-1C-70DE 6 terminals, 1 Form C, AgCdO contacts, 70 VDC nominal coil voltage, sealed, class B coil wire

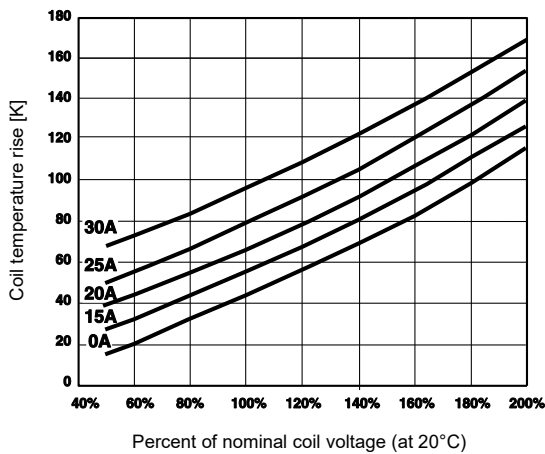
AZ2150

COIL VOLTAGE SPECIFICATIONS

| Nominal Coil VDC | Must Operate VDC | Max. Continuous VDC | Resistance Ohm $\pm 10\%$ |
|------------------|------------------|---------------------|---------------------------|
| 5 | 3.75 | 7.3 | 27 |
| 6 | 4.5 | 8.9 | 40 |
| 9 | 6.75 | 13.9 | 97 |
| 12 | 9.0 | 17.5 | 155 |
| 15 | 11.25 | 22.5 | 256 |
| 18 | 13.5 | 27.4 | 380 |
| 24 | 18.0 | 36.1 | 660 |
| 48 | 36.0 | 68.4 | 2560 |
| 70 | 52.5 | 104.4 | 5500 |
| 110 | 82.5 | 163.2 | 13450 |

Note: All values at 23°C (73°F), upright position, terminals downward.

COIL TEMPERATURE RISE

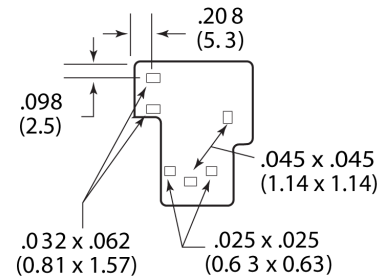
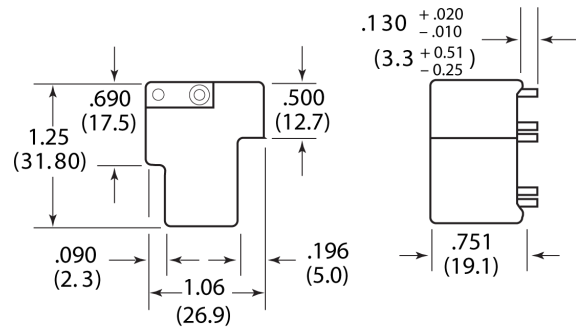


NOTES

- All values at 23°C (73°F).
- Relay may pull in with less than "Must Operate" value.
- Provide sufficient PCB cross section as heat spreader on terminals.
- Specifications subject to change without notice.

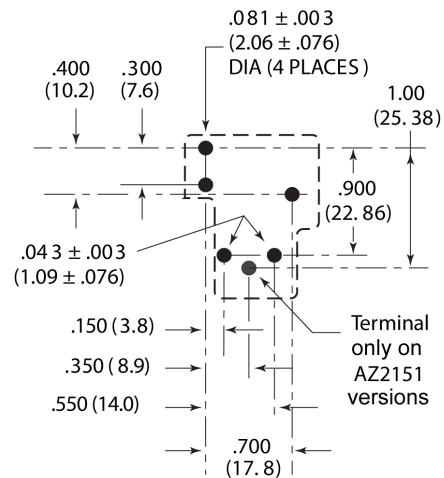
MECHANICAL DATA

Dimensions in inches with metric equivalents in parentheses. Tolerance: $\pm .010"$



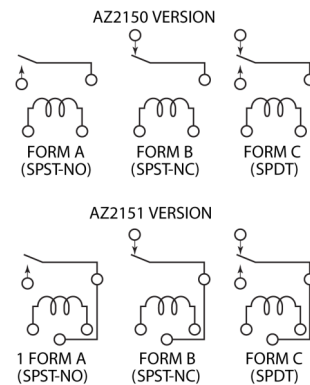
PC BOARD LAYOUT

Dimensions in inches with metric equivalents in parentheses. Viewed towards terminals.



WIRING DIAGRAMS

Viewed towards terminals



AZ2150

DISCLAIMER

This product specification is to be used in conjunction with the application notes which can be downloaded from the regional ZETTLER relay websites. The specification provides an overview of the most significant part features. Any individual applications and operating conditions are not taken into consideration. It is recommended to test the product under application conditions. Responsibility for the application remains with the customer. Proper operation and service life cannot be guaranteed if the part is operated outside the specified limits.

ZETTLER GROUP

Building on a foundation of more than a century of expertise in German precision engineering, ZETTLER Group is a world-class enterprise, engaged in the design, manufacturing, sales and distribution of electronic components. Our industry leadership is based on a unique combination of engineering competence and global scale.

For more information on other ZETTLER Group companies, please visit zettler-group.com. For support on this product or other ZETTLER relays, please visit one of the group sites below.

SITES FOR ZETTLER RELAYS

NORTH AMERICA

American Zettler, Inc.
www.azettler.com
sales@azettler.com

EUROPE

Zettler Electronics, GmbH
www.zettlerelectronics.com
office@zettlerelectronics.com

Zettler Electronics, Poland
www.zettlerelectronics.pl
office@zettlerelectronics.pl

CHINA

Zettler Group, China
www.zettlercn.com
relay@zettlercn.com

ASIA PACIFIC

Zettler Electronics (HK) Ltd.
www.zettlerhk.com
sales@zettlerhk.com



ZETTLER

Looking for pricing, stock, or lifecycle information?

Click below to explore more details on WIN SOURCE:

- ⊖ [View AZ2150-1A-24DEF on WIN SOURCE](#)
- ⊖ [American Zettler, Inc. Information](#)

Optimize Your Supply Chain with WIN SOURCE Solutions

- ✓ Global Sourcing Solution
- ✓ Obsolete Management
- ✓ Cost Control Management
- ✓ Shortage Management
- ✓ Alternative Solution
- ✓ Excess Inventory Management