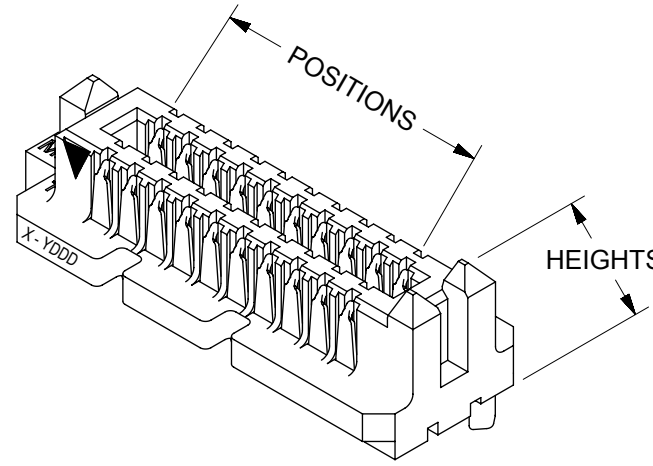
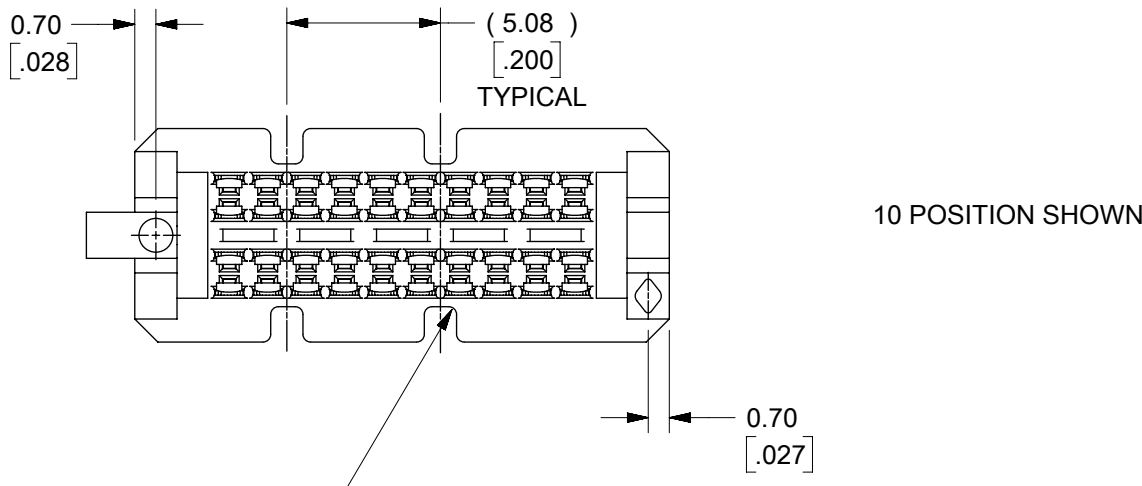
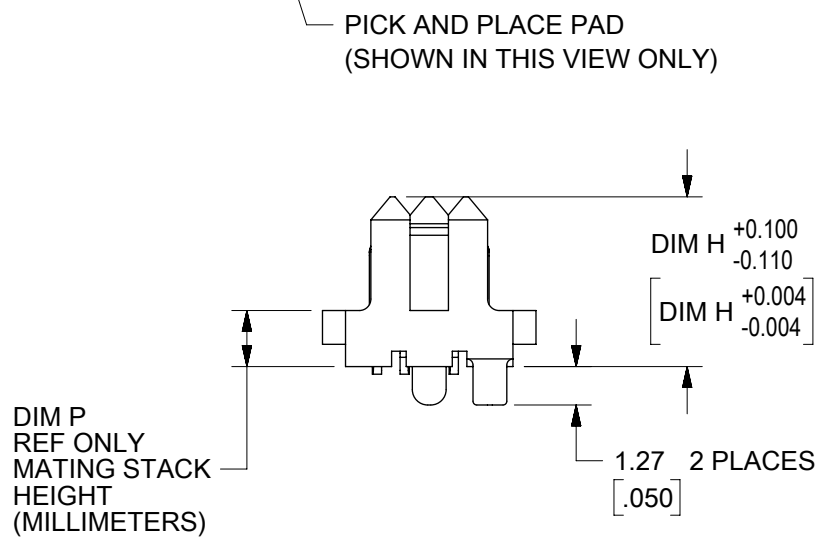
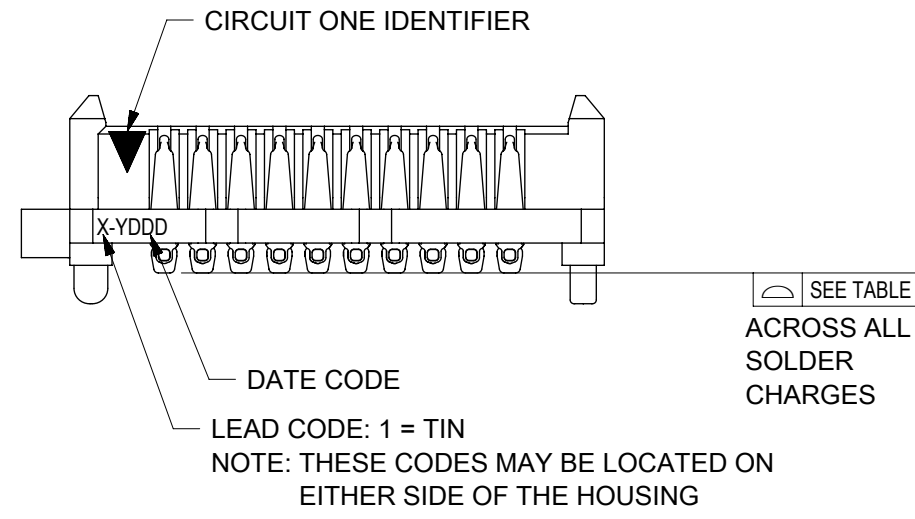
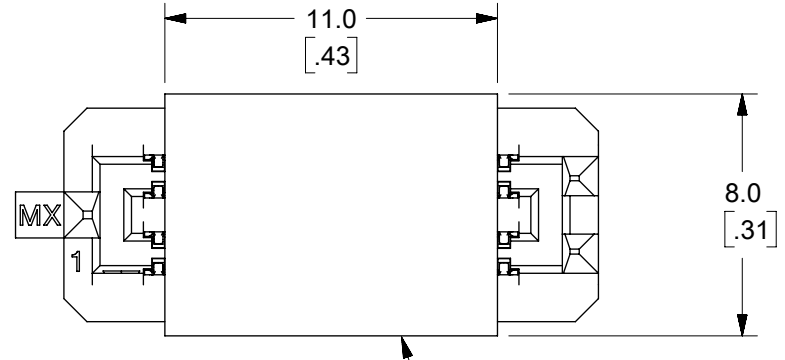
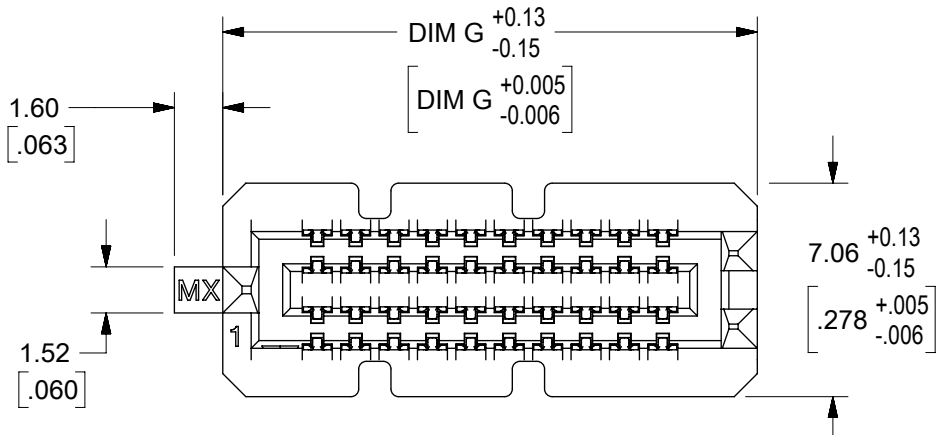




THE DATASHEET OF
046556-2745

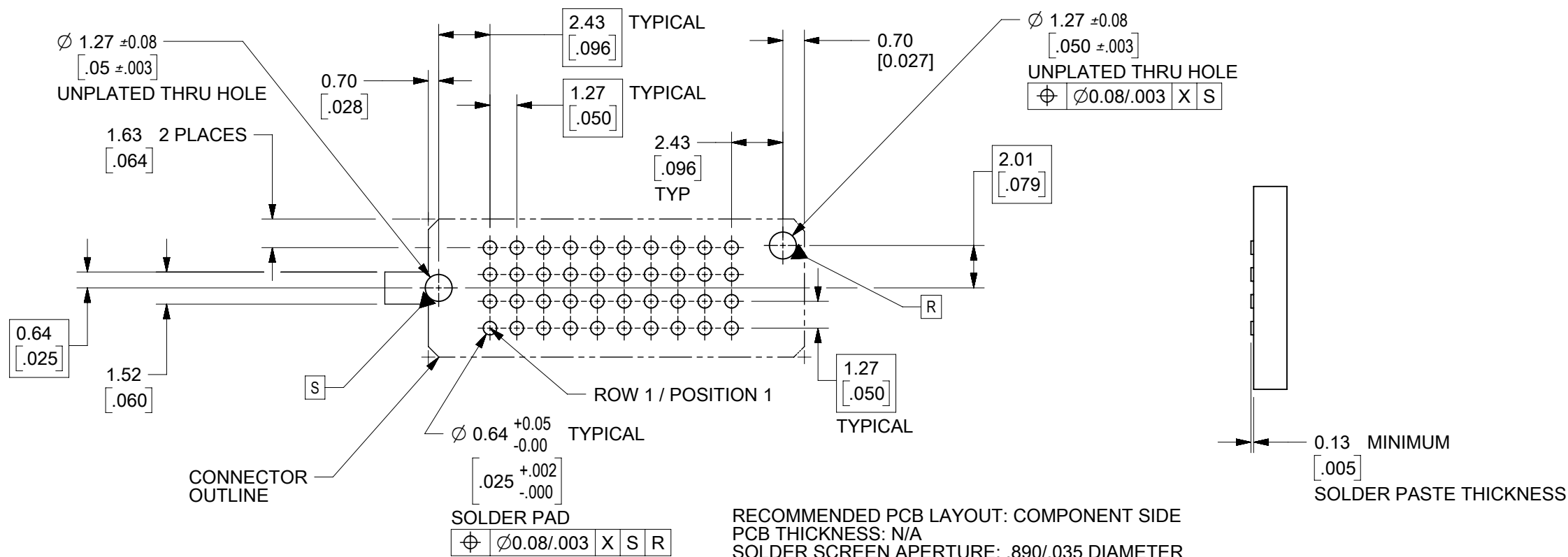




- NOTES:
- MATERIALS: HOUSING: GLASS FILLED LCP (LIQUID CRYSTAL POLYMER), UL94V-0, BLACK
CONTACTS: COPPER ALLOY
SOLDER CHARGE: 95.5% TIN, 3.8% SILVER, 0.7% COPPER
 - FINISHES:
CONTACT AREA: 30 MICROINCH MINIMUM GOLD
TAIL AREA:
-1** ASSEMBLIES: 7 MICROINCH MINIMUM GOLD
ALL OTHER ASSEMBLIES: 50 MICROINCH MINIMUM TIN
ENTIRE TERMINAL: NICKEL UNDERPLATE
 - PRODUCT SPECIFICATION: PS-45970-001
 - PACKAGING SPECIFICATION: PK-45970-002 (TAPE AND REEL)
 - MATES WITH SEARAY RECEPTACLE ASSEMBLY SERIES 46557
 - APPLICATION SPECIFICATION: AS-45970-001
 - COSMETIC SPECIFICATION: PS-45499-002 CLASS B
 - PART STATUS: CONTACT MOLEX

POSITIONS	DIM G		TOTAL NUMBER OF EDGE NOTCHES
10	17.69/.698	0.15/.006	4
15	24.04/.948	0.15/.006	6
20	30.39/1.198	0.15/.006	10
25	36.74/1.448	0.15/.006	12
30	43.09/1.698	0.15/.006	14
35	49.44/1.948	0.15/.006	16
40	55.79/2.198	0.15/.006	20
45	62.14/2.448	0.23/.009	22
50	68.49/2.698	0.23/.009	24

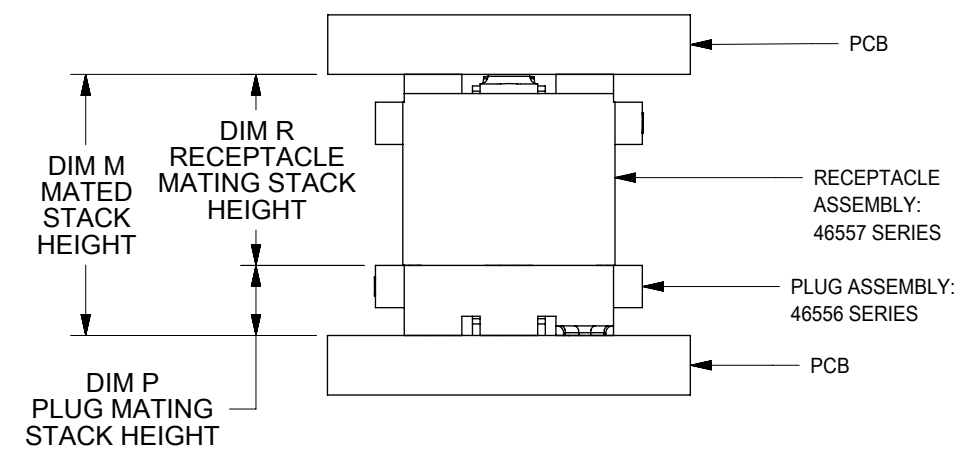
SYMBOLS = 0 = 0 = 0 = 0 = 0 = 0 = 0 = 0 = 0 = 0	THIS DRAWING CONTAINS INFORMATION THAT IS PROPRIETARY TO MOLEX ELECTRONIC TECHNOLOGIES, LLC AND SHOULD NOT BE USED WITHOUT WRITTEN PERMISSION DIMENSION UNITS: MM/IN SCALE: 4:1	CURRENT REV DESC: UPDATE CHART EC NO: 605384 DRWN: JBINGHAM 2018/10/01 CHK'D: DMCGOWAN 2018/10/03 APPR: DMCGOWAN 2018/10/03			
	GENERAL TOLERANCES (UNLESS SPECIFIED) ANGULAR TOL ± 0.5° 4 PLACES ± 3 PLACES ± 2 PLACES ± 0.25 1 PLACE ± 0.38 0 PLACES ±	INITIAL REVISION: DRWN: TGGREGORI 2007/06/28 APPR: JCOMERCI 2007/06/29	SEARAY SLIM (4 ROW) PLUG, ASSEMBLY 1.27/.050 PITCH PRODUCT CUSTOMER DRAWING		
DRAFT WHERE APPLICABLE MUST REMAIN WITHIN DIMENSIONS THIRD ANGLE PROJECTION DRAWING: B-SIZE SERIES: 46556	MATERIAL NUMBER: SEE TABLE SHT 3 CUSTOMER: GENERAL MARKET	DOCUMENT NUMBER: SD-46556-001 DOC TYPE: PSD DOC PART: 001 REVISION: N2	SHEET NUMBER: 1 OF 3		



RECOMMENDED PCB LAYOUT: COMPONENT SIDE
 PCB THICKNESS: N/A
 SOLDER SCREEN APERTURE: .890/.035 DIAMETER

		DIM R RECEPTACLE STACK HEIGHT									
		5.0		6.0		6.5		7.5		8.0	
DIM P PLUG STACK HEIGHT	mm	DIM M FULLY MATED	DIM M MAX	DIM M FULLY MATED	DIM M MAX	DIM M FULLY MATED	DIM M MAX	DIM M FULLY MATED	DIM M MAX	DIM M FULLY MATED	DIM M MAX
	2.0	7.00	7.74	8.00	8.74	8.50	9.24	9.50	10.24	10.00	10.74
	3.0	8.00	8.74	9.00	9.74	9.50	10.24	10.50	11.24	11.00	11.74
	3.5	8.50	9.24	9.50	10.24	10.00	10.74	11.00	11.74	11.50	12.24
	2.5	7.50	8.24	8.50	9.24	9.00	9.74	10.00	10.74	10.50	11.24
	4.5	9.50	10.24	10.50	11.24	11.00	11.74	12.00	12.74	12.50	13.24
	5.0	10.00	10.74	11.00	11.74	11.50	12.24	12.50	13.24	13.00	13.74
7.0	12.00	12.74	13.00	13.74	13.50	14.24	14.50	15.24	15.00	15.74	

MATED STACK HEIGHTS
 GIVEN IN MILLIMETERS (mm) FOR REFERENCE ONLY



STACK HEIGHTS
 GIVEN IN MILLIMETERS (mm) FOR REFERENCE ONLY

SYMBOLS	THIS DRAWING CONTAINS INFORMATION THAT IS PROPRIETARY TO MOLEX ELECTRONIC TECHNOLOGIES, LLC AND SHOULD NOT BE USED WITHOUT WRITTEN PERMISSION		CURRENT REV DESC: UPDATE CHART			molex		
	DIMENSION UNITS	SCALE						
▽ = 0	MM/IN	4:1	EC NO: 605384			SEARAY SLIM (4 ROW) PLUG, ASSEMBLY 1.27/.050 PITCH		
▽ = 0	GENERAL TOLERANCES (UNLESS SPECIFIED)		DRWN: JBINGHAM 2018/10/01					
▽ = 0	ANGULAR TOL ± 0.5°		CHK'D: DMCGOWAN 2018/10/03			PRODUCT CUSTOMER DRAWING		
▽ = 0	4 PLACES ±		APPR: DMCGOWAN 2018/10/03					
▽ = 0	3 PLACES ±		INITIAL REVISION:			DOCUMENT NUMBER		
▽ = 0	2 PLACES ± 0.25		DRWN: TGREGORI 2007/06/28					
▽ = 0	1 PLACE ± 0.38		APPR: JCOMERCI 2007/06/29			DOC TYPE DOC PART REVISION		
▽ = 0	0 PLACES ±		DRAFT WHERE APPLICABLE MUST REMAIN WITHIN DIMENSIONS					
▽ = 0	THIRD ANGLE PROJECTION		DRAWING			MATERIAL NUMBER		
▽ = 0	B-SIZE		SERIES					
			46556			SHEET NUMBER		
			SEE TABLE SHT 3					

E

E

D

D

C

C

B

B

A

A

DIM P:	2.0 mm	3.0 mm	3.5 mm	2.5 mm	4.5 mm	5.0 mm	7.0 mm
DIM H:	5.61/.221	6.60/.260	7.11/.280	6.12/.241	8.10/.319	8.61/.339	10.71/.418
POSITIONS	MATERIAL NO	MATERIAL NO	MATERIAL NO	MATERIAL NO	MATERIAL NO	MATERIAL NO	MATERIAL NO
10	46556-1145	46556-1245	46556-1345	46556-1445	46556-1545	46556-1645	46556-1745
20	46556-2145	46556-2245	46556-2345	46556-2445	46556-2545	46556-2645	46556-2745
30	46556-3145	46556-3245	46556-3345	46556-3445	46556-3545	46556-3645	46556-3745
40	46556-4145	46556-4245	46556-4345	46556-4445	46556-4545	46556-4645	46556-4745
50	46556-5145	46556-5245	46556-5345	46556-5445	46556-5545	46556-5645	46556-5745
15	46556-6145	46556-6245	46556-6345	46556-6445	46556-6545	46556-6645	46556-6745
25	46556-7145	46556-7245	46556-7345	46556-7445	46556-7545	46556-7645	46556-7745
35	46556-8145	46556-8245	46556-8345	46556-8445	46556-8545	46556-8645	46556-8745
45	46556-9145	46556-9245	46556-9345	46556-9445	46556-9545	46556-9645	46556-9745

MATING STACK HEIGHTS (DIMENSION P)
GIVEN IN MILLIMETERS (mm) FOR REFERENCE ONLY

SYMBOLS	THIS DRAWING CONTAINS INFORMATION THAT IS PROPRIETARY TO MOLEX ELECTRONIC TECHNOLOGIES, LLC AND SHOULD NOT BE USED WITHOUT WRITTEN PERMISSION											
	DIMENSION UNITS		SCALE		CURRENT REV DESC: UPDATE CHART						molex	
	MM/IN		1:1		EC NO: 605384							
	= 0		GENERAL TOLERANCES (UNLESS SPECIFIED)								SEARAY SLIM (4 ROW) PLUG, ASSEMBLY 1.27/.050 PITCH	
	= 0		ANGULAR TOL ± 0.5°								PRODUCT CUSTOMER DRAWING	
	= 0		4 PLACES ±		DRWN: JBINGHAM 2018/10/01						DOCUMENT NUMBER	
	= 0		3 PLACES ±		CHK'D: DMCGOWAN 2018/10/03						DOC TYPE DOC PART REVISION	
	= 0		2 PLACES ± 0.25		APPR: DMCGOWAN 2018/10/03						SD-46556-001 PSD 001 N2	
	= 0		1 PLACE ± 0.38		INITIAL REVISION:						MATERIAL NUMBER	
	= 0		0 PLACES ±		DRWN: TGREGORI 2007/06/28						CUSTOMER	
= 0		DRAFT WHERE APPLICABLE MUST REMAIN WITHIN DIMENSIONS		THIRD ANGLE PROJECTION		DRAWING		SERIES		SHEET NUMBER		
= 0						B-SIZE		46556		3 OF 3		

Looking for pricing, stock, or lifecycle information?

Click below to explore more details on WIN SOURCE:

 [View 046556-2745 on WIN SOURCE](#)

 [Molex, LLC Information](#)

Optimize Your Supply Chain with WIN SOURCE Solutions

-  Global Sourcing Solution
-  Obsolete Management
-  Cost Control Management
-  Shortage Management
-  Alternative Solution
-  Excess Inventory Management