



**THE DATASHEET OF
FSGM0565RBLDTU**



FSGM0565RB

Green-Mode Power Switch

Description

The FSGM0565RB is an integrated Pulse Width Modulation (PWM) controller and SENSEFET[®] specifically designed for offline Switch-Mode Power Supplies (SMPS) with minimal external components. The PWM controller includes an integrated fixed-frequency oscillator, Under-Voltage Lockout (UVLO), Leading-Edge Blanking (LEB), optimized gate driver, internal soft-start, temperature-compensated precise current sources for loop compensation, and self-protection circuitry. Compared with a discrete MOSFET and PWM controller solution, the FSGM series can reduce total cost, component count, size, and weight; while simultaneously increasing efficiency, productivity, and system reliability. This device provides a basic platform suited for cost-effective design of a flyback converter.

Features

- Soft Burst-Mode Operation for Low Standby Power Consumption and Low Noise
- Precision Fixed Operating Frequency: 66 kHz
- Pulse-by-Pulse Current Limit
- Various Protection Functions: Overload Protection (OLP), Over-Voltage Protection (OVP), Abnormal Over-Current Protection (AOCP), Internal Thermal Shutdown (TSD) with Hysteresis, Output-Short Protection (OSP), and Under-Voltage Lockout (UVLO) with Hysteresis
- Auto-Restart Mode
- Internal Startup Circuit
- Internal High-Voltage SENSEFET: 650 V
- Built-in Soft-Start: 15 ms
- These Devices are Pb-Free and are RoHS Compliant

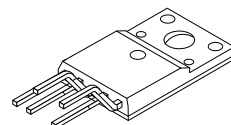
Applications

- Power Supply for LCD TV and Monitor, STB and DVD Combination

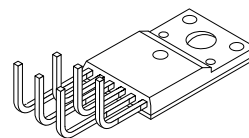


ON Semiconductor[®]

www.onsemi.com

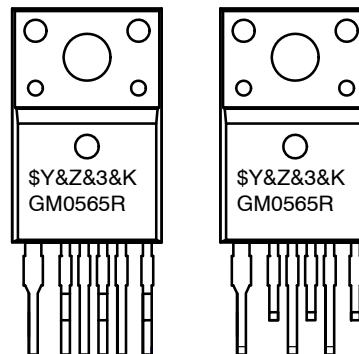


TO-220-6LD LF
CASE 340BG



TO-220-6LD LF
CASE 340BN

MARKING DIAGRAM



\$Y = ON Semiconductor Logo
&Z = Assembly Plant Code
&3 = 3-Digit Date Code Format
&K = 2-Digit Lot Run Traceability Code
GM0565R = Specific Device Code Data

ORDERING INFORMATION

See detailed ordering and shipping information on page 2 of this data sheet.

FSGM0565RB

ORDERING INFORMATION

| Part Number | Package | Operating Junction Temperature | Current Limit | R _{DS(ON)} (Max.) | Output Power Table (Note 2) | | | | Replaces Device | Shipping |
|----------------|--|--------------------------------|---------------|----------------------------|-----------------------------------|---------------------|--------------------------|---------------------|-----------------|------------|
| | | | | | 230V _{AC} ± 15% (Note 3) | | 85 – 265 V _{AC} | | | |
| | | | | | Adapter (Note 4) | Open Frame (Note 5) | Adapter (Note 4) | Open Frame (Note 5) | | |
| FSGM0565RBWDTU | TO-220F 6-Lead (Note 1) W-Forming | -40°C ~ +125°C | 3.00 A | 2.2 Ω | 70 W | 80 W | 41 W | 60 W | FSDM0565RE | 400 / Tube |
| FSGM0565RBUDTU | TO-220F 6-Lead (Note 1) U-Forming | -40°C ~ +125°C | 3.00 A | 2.2 Ω | 70 W | 80 W | 41 W | 60 W | FSDM0565RE | 400 / Tube |
| FSGM0565RBLDTU | TO-220F 6-Lead (Note 1) L-Forming | -40°C ~ +125°C | 3.00 A | 2.2 Ω | 70 W | 80 W | 41 W | 60 W | FSDM0565RE | 400 / Tube |

1. Pb-free package per JEDEC J-STD-020B.
2. The junction temperature can limit the maximum output power.
3. 230 V_{AC} or 100 / 115 V_{AC} with voltage doubler.
4. Typical continuous power in a non-ventilated enclosed adapter measured at 50°C ambient temperature.
5. Maximum practical continuous power in an open-frame design at 50°C ambient temperature.

Application Circuit

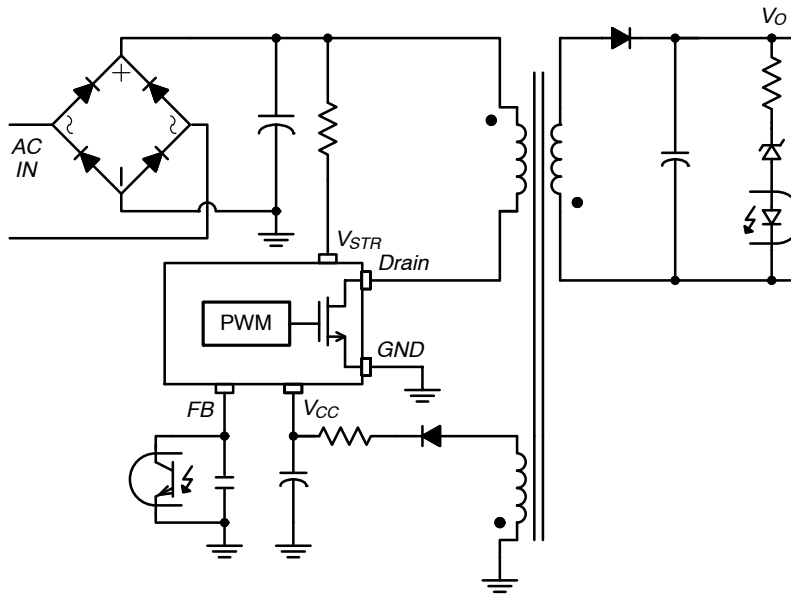


Figure 1. Typical Application Circuit

FSGM0565RB

Internal Block Diagram

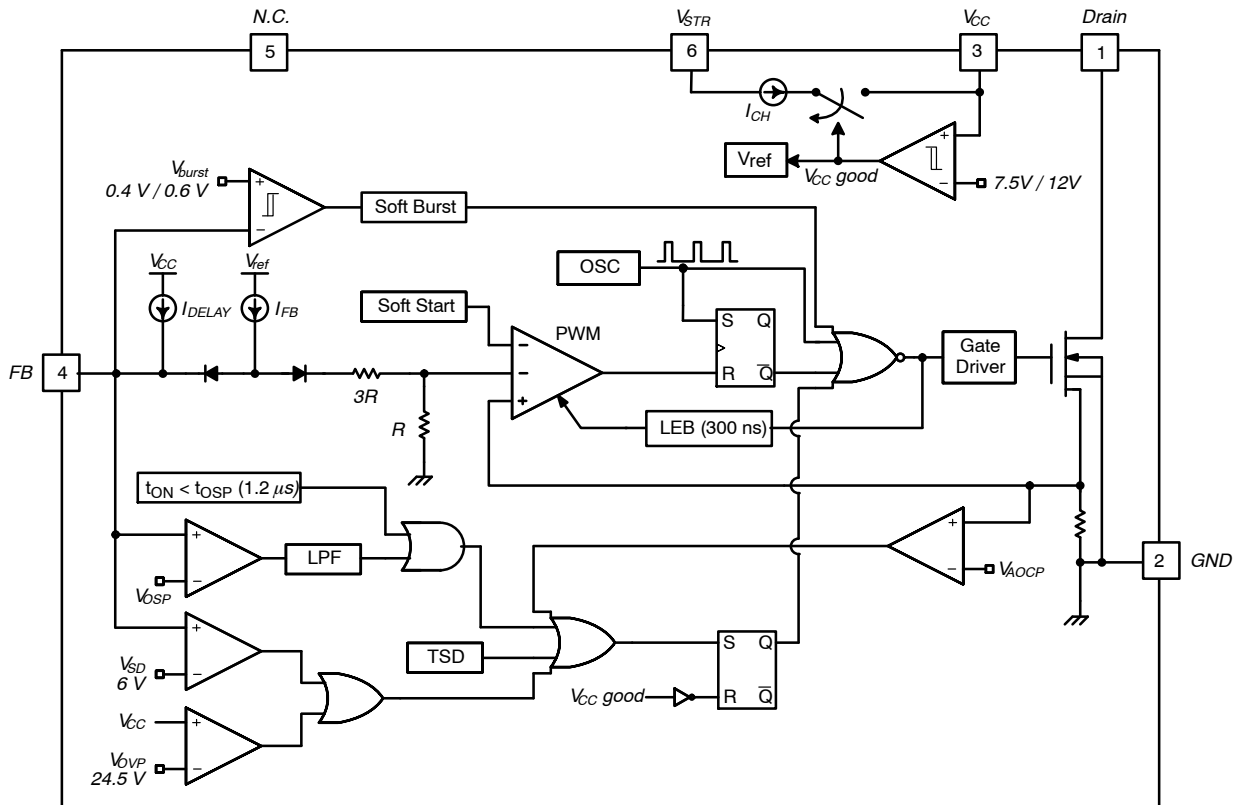


Figure 2. Internal Block Diagram

Pin Configuration

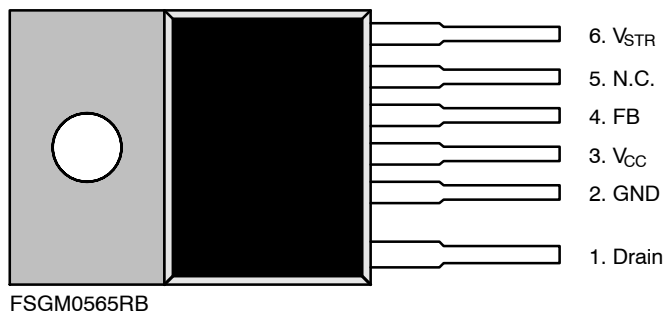


Figure 3. Pin Configuration (Top View)

FSGM0565RB

PIN DEFINITIONS

| Pin No. | Name | Description |
|---------|------------------|---|
| 1 | Drain | <i>SENSEFET Drain.</i> High-voltage power SENSEFET drain connection. |
| 2 | GND | <i>Ground.</i> This pin is the control ground and the SENSEFET source. |
| 3 | V _{CC} | <i>Power Supply.</i> This pin is the positive supply input, which provides the internal operating current for both startup and steady-state operation. |
| 4 | FB | <i>Feedback.</i> This pin is internally connected to the inverting input of the PWM comparator. The collector of an opto-coupler is typically tied to this pin. For stable operation, a capacitor should be placed between this pin and GND. If the voltage of this pin reaches 6 V, the overload protection triggers, which shuts down the power switch. |
| 5 | N.C. | No connection. |
| 6 | V _{STR} | <i>Startup.</i> This pin is connected directly, or through a resistor, to the high-voltage DC link. At startup, the internal high-voltage current source supplies internal bias and charges the external capacitor connected to the V _{CC} pin. Once V _{CC} reaches 12 V, the internal current source (I _{CH}) is disabled. |

ABSOLUTE MAXIMUM RATINGS

| Symbol | Parameter | Min | Max | Unit | |
|------------------|--|-----------------------------------|------|------|----|
| V _{STR} | V _{STR} Pin Voltage | – | 650 | V | |
| V _{DS} | Drain Pin Voltage | – | 650 | V | |
| V _{CC} | V _{CC} Pin Voltage | – | 26 | V | |
| V _{FB} | Feedback Pin Voltage | –0.3 | 12.0 | V | |
| I _{DM} | Drain Current Pulsed | – | 11 | A | |
| I _{DS} | Continuous Switching Drain Current (Note 6) | T _C = 25°C | – | 5.6 | A |
| | | T _C = 100°C | – | 3.4 | A |
| E _{AS} | Single Pulsed Avalanche Energy (Note 7) | – | 295 | mJ | |
| P _D | Total Power Dissipation (T _C = 25°C) (Note 8) | – | 45 | W | |
| T _J | Maximum Junction Temperature | – | 150 | °C | |
| | Operating Junction Temperature (Note 9) | –40 | +125 | °C | |
| T _{STG} | Storage Temperature | –55 | +150 | °C | |
| V _{ISO} | Minimum Isolation Voltage (Note 10) | 2.5 | – | kV | |
| ESD | Electrostatic Discharge Capability | Human Body Model, JESD22-A114 | 2 | – | kV |
| | | Charged Device Model, JESD22-C101 | 2 | – | kV |

Stresses exceeding those listed in the Maximum Ratings table may damage the device. If any of these limits are exceeded, device functionality should not be assumed, damage may occur and reliability may be affected.

6. Repetitive peak switching current when the inductive load is assumed: Limited by maximum duty (D_{MAX} = 0.75) and junction temperature (see Figure 4).
7. L = 45mH, starting T_J = 25°C.
8. Infinite cooling condition (refer to the SEMI G30-88).
9. Although this parameter guarantees IC operation, it does not guarantee all electrical characteristics.
10. The voltage between the package back side and the lead is guaranteed.

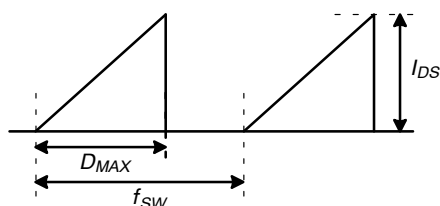


Figure 4. Repetitive Peak Switching Current

FSGM0565RB

THERMAL CHARACTERISTICS

| Symbol | Characteristic | Value | Unit |
|---------------|---|-------|------|
| θ_{JA} | Junction-to-Ambient Thermal Impedance (Note 11) | 62.5 | °C/W |
| θ_{JC} | Junction-to-Case Thermal Impedance (Note 12) | 3 | °C/W |

11. Infinite cooling condition (refer to the SEMI G30-88).

12. Free standing with no heat-sink under natural convection.

ELECTRICAL CHARACTERISTICS (T_J = 25°C unless otherwise noted)

| Symbol | Parameter | Test Condition | Min | Typ | Max | Unit |
|--------|-----------|----------------|-----|-----|-----|------|
|--------|-----------|----------------|-----|-----|-----|------|

SENSEFET SECTION

| | | | | | | |
|---------------------|----------------------------------|--|-----|-----|-----|----|
| B _V DSS | Drain-Source Breakdown Voltage | V _{CC} = 0 V, I _D = 250 μA | 650 | - | - | V |
| I _{DSS} | Zero-Gate-Voltage Drain Current | V _{DS} = 520 V, T _A = 125°C | - | - | 250 | μA |
| R _{DS(ON)} | Drain-Source On-State Resistance | V _{GS} = 10 V, I _D = 1 A | - | 1.8 | 2.2 | Ω |
| C _{ISS} | Input Capacitance (Note 13) | V _{DS} = 25 V, V _{GS} = 0 V, f = 1 MHz | - | 515 | - | pF |
| C _{OSS} | Output Capacitance (Note 13) | V _{DS} = 25 V, V _{GS} = 0 V, f = 1 MHz | - | 75 | - | pF |
| t _r | Rise Time | V _{DS} = 325 V, I _D = 4 A, R _G = 25 Ω | - | 26 | - | ns |
| t _f | Fall Time | V _{DS} = 325 V, I _D = 4 A, R _G = 25 Ω | - | 25 | - | ns |
| t _{d(on)} | Turn-on Delay Time | V _{DS} = 325 V, I _D = 4 A, R _G = 25 Ω | - | 14 | - | ns |
| t _{d(off)} | Turn-off Delay Time | V _{DS} = 325 V, I _D = 4 A, R _G = 25 Ω | - | 32 | - | ns |

CONTROL SECTION

| | | | | | | |
|--------------------|---|--|-----|-----|-----|-----|
| f _S | Switching Frequency | V _{CC} = 14 V, V _{FB} = 4 V | 60 | 66 | 72 | kHz |
| Δf _S | Switching Frequency Variation (Note 13) | -25°C < T _J < +125°C | - | ±5 | ±10 | % |
| D _{MAX} | Maximum Duty Ratio | V _{CC} = 14 V, V _{FB} = 4 V | 65 | 70 | 75 | % |
| D _{MIN} | Minimum Duty Ratio | V _{CC} = 14 V, V _{FB} = 0 V | - | - | 0 | % |
| I _{FB} | Feedback Source Current | V _{FB} = 0 | 160 | 210 | 260 | μA |
| V _{START} | UVLO Threshold Voltage | V _{FB} = 0 V, V _{CC} Sweep | 11 | 12 | 13 | V |
| V _{STOP} | | After Turn-on, V _{FB} = 0 V | 7.0 | 7.5 | 8.0 | V |
| V _{OP} | V _{CC} Operating Range | | 13 | - | 23 | V |
| t _{S/S} | Internal Soft-Start Time | V _{STR} = 40 V, V _{CC} Sweep | - | 15 | - | ms |

BURST-MODE SECTION

| | | | | | | |
|-------------------|--------------------|---|-----|-----|-----|----|
| V _{BURH} | Burst-Mode Voltage | V _{CC} = 14 V, V _{FB} Sweep | 0.5 | 0.6 | 0.7 | V |
| V _{BURL} | | | 0.3 | 0.4 | 0.5 | V |
| Hys | | | - | 200 | - | mV |

PROTECTION SECTION

| | | | | | | |
|--------------------|--|---|------|------|------|----|
| I _{LIM} | Peak Drain Current Limit | di/dt = 300 mA/μs | 2.75 | 3.00 | 3.25 | A |
| V _{SD} | Shutdown Feedback Voltage | V _{CC} = 14 V, V _{FB} Sweep | 5.5 | 6.0 | 6.5 | V |
| I _{DELAY} | Shutdown Delay Current | V _{CC} = 14 V, V _{FB} = 4 V | 2.5 | 3.3 | 4.1 | μA |
| Hys | Leading-Edge Blanking Time (Note 13, 14) | | - | 300 | - | ns |
| V _{OVP} | Over-Voltage Protection | V _{CC} Sweep | 23.0 | 24.5 | 26.0 | V |

FSGM0565RB

ELECTRICAL CHARACTERISTICS ($T_J = 25^\circ\text{C}$ unless otherwise noted) (continued)

| Symbol | Parameter | Test Condition | Min | Typ | Max | Unit | |
|---------------------------|--|------------------------|---|-----|-----|------------------|---------------|
| PROTECTION SECTION | | | | | | | |
| t_{OSP} | Output Short Protection (Note 13) | Threshold Time | OSP Triggered when $t_{ON} < t_{OSP}$ & $V_{FB} > V_{OSP}$ (Lasts Longer than t_{OSP_FB}) | 1.0 | 1.2 | 1.4 | μs |
| V_{OSP} | | Threshold V_{FB} | | 1.8 | 2.0 | 2.2 | V |
| t_{OSP_FB} | | V_{FB} Blanking Time | | 2.0 | 2.5 | 3.0 | μs |
| T_{SD} | Thermal Shutdown Temperature (Note 13) | Shutdown Temperature | 130 | 140 | 150 | $^\circ\text{C}$ | |
| Hys | | Hysteresis | - | 30 | - | $^\circ\text{C}$ | |

TOTAL DEVICE SECTION

| | | | | | | |
|-------------|---|---|------|------|------|----|
| I_{OP} | Operating Supply Current, (Control Part in Burst Mode) | $V_{CC} = 14\text{ V}, V_{FB} = 0\text{ V}$ | 1.2 | 1.6 | 2.0 | mA |
| I_{OPS} | Operating Switching Current, (Control Part and SENSEFET Part) | $V_{CC} = 14\text{ V}, V_{FB} = 4\text{ V}$ | 2.0 | 2.5 | 3.0 | mA |
| I_{START} | Start Current | $V_{CC} = 11\text{ V}$ (Before V_{CC} Reaches V_{START}) | 0.5 | 0.6 | 0.7 | mA |
| I_{CH} | Startup Charging Current | $V_{CC} = V_{FB} = 0\text{ V}, V_{STR} = 40\text{ V}$ | 1.00 | 1.15 | 1.50 | mA |
| V_{STR} | Minimum V_{STR} Supply Voltage | $V_{CC} = V_{FB} = 0\text{ V}, V_{STR}$ Sweep | - | 26 | - | V |

Product parametric performance is indicated in the Electrical Characteristics for the listed test conditions, unless otherwise noted. Product performance may not be indicated by the Electrical Characteristics if operated under different conditions.

13. Although these parameters are guaranteed, they are not 100% tested in production.

14. t_{LEB} includes gate turn-on time.

COMPARISON OF FSDM0565RE AND FSGM0565RB

| Function | FSDM0565RE | FSGM0565RB | Advantages of FSGM0565RB |
|-----------------|-------------------|---|---|
| Burst Mode | Advanced Burst | Advanced Soft Burst | Low noise and low standby power |
| Lightning Surge | | Strong | Enhanced SENSEFET and controller against lightning surge |
| Soft-Start | 10 ms (Built-in) | 15 ms (Built-in) | Longer soft-start time |
| Protections | OLP OVP TSD | OLP OVP OSP AOC TSD with Hysteresis | Enhanced protections and high reliability |
| Power Balance | Long T_{CLD} | Very Short T_{CLD} | The difference of input power between the low and high input voltage is quite small |

FSGM0565RB

TYPICAL CHARACTERISTICS ($T_A = 25^\circ\text{C}$ unless otherwise noted)

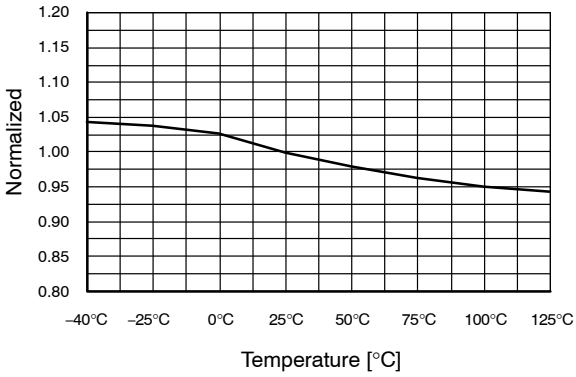


Figure 5. Operating Supply Current (I_{OP}) vs. T_A

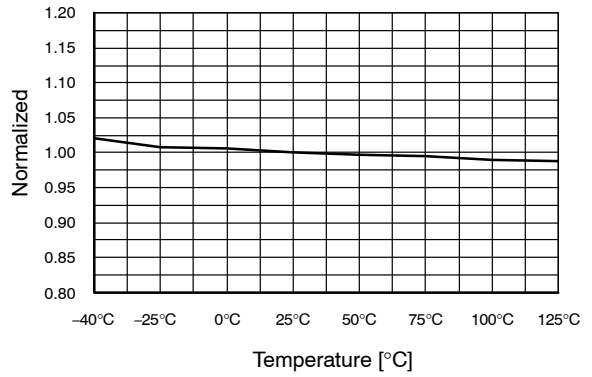


Figure 6. Operating Switching Current (I_{OPS}) vs. T_A

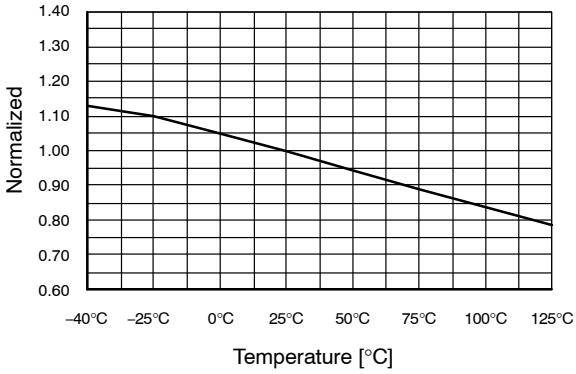


Figure 7. Startup Charging Current (I_{CH}) vs. T_A

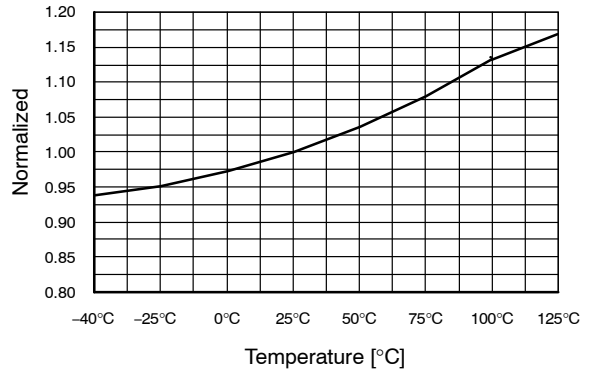


Figure 8. Peak Drain Current Limit (I_{LIM}) vs. T_A

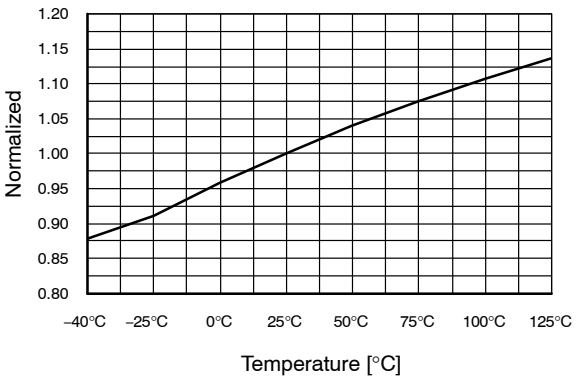


Figure 9. Feedback Source Current (I_{FB}) vs. T_A

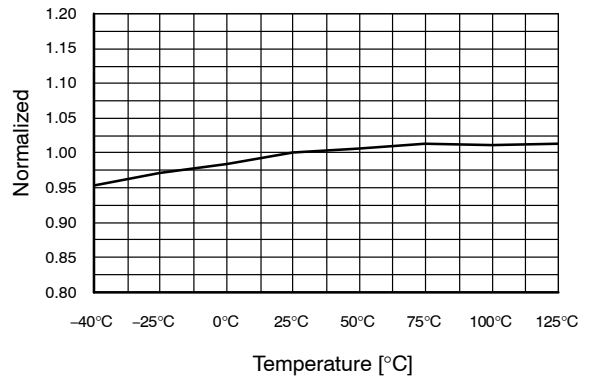


Figure 10. Shutdown Delay Current (I_{DELAY}) vs. T_A

FSGM0565RB

TYPICAL CHARACTERISTICS ($T_A = 25^\circ\text{C}$ unless otherwise noted)

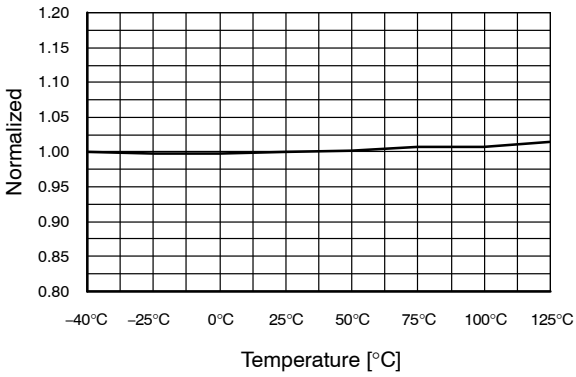


Figure 11. UVLO Threshold Voltage (V_{START}) vs. T_A

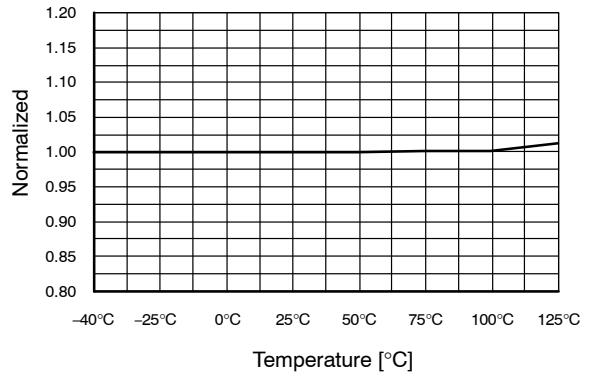


Figure 12. UVLO Threshold Voltage (V_{STOP}) vs. T_A

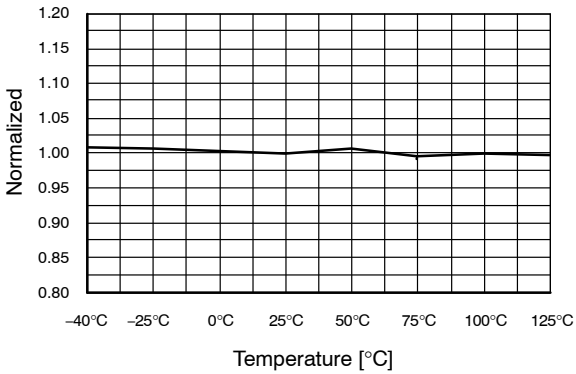


Figure 13. Shutdown Feedback Voltage (V_{SD}) vs. T_A

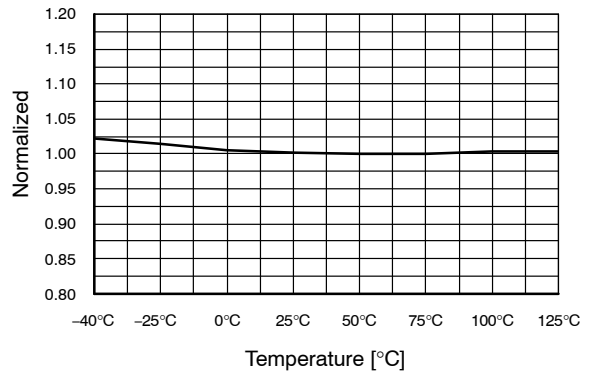


Figure 14. Over-Voltage Protection (V_{OVP}) vs. T_A

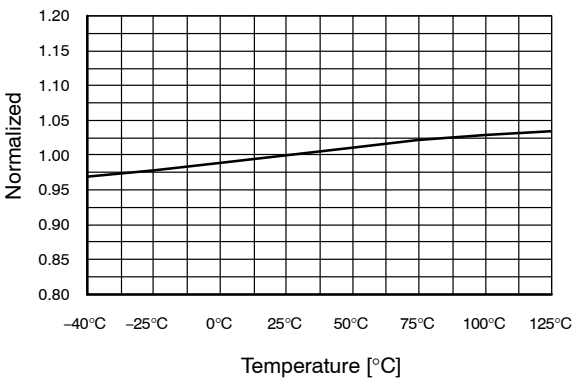


Figure 15. Switching Frequency (f_S) vs. T_A

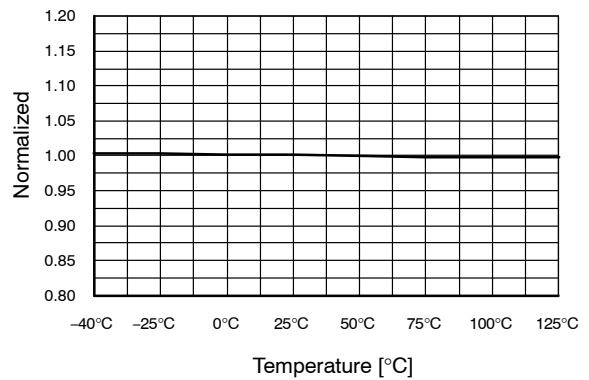


Figure 16. Maximum Duty Ratio (D_{MAX}) vs. T_A

FUNCTIONAL DESCRIPTION

Startup

At startup, an internal high-voltage current source supplies the internal bias and charges the external capacitor (C_{VCC}) connected to the V_{CC} pin, as illustrated in Figure 17. When V_{CC} reaches 12 V, the FSGM0465R begins switching and the internal high-voltage current source is disabled. The FSGM0465R continues normal switching operation and the power is supplied from the auxiliary transformer winding unless V_{CC} goes below the stop voltage of 7.5 V.

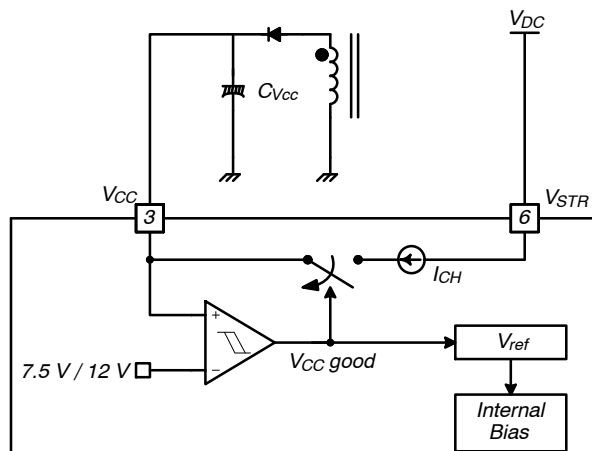


Figure 17. Startup Block

Soft-Start

The FSGM0465R has an internal soft-start circuit that increases PWM comparator inverting input voltage, together with the SENSEFET current, slowly after it starts. The typical soft-start time is 15 ms. The pulse width to the power switching device is progressively increased to establish the correct working conditions for transformers, inductors, and capacitors. The voltage on the output capacitors is progressively increased to smoothly establish

the required output voltage. This helps prevent transformer saturation and reduces stress on the secondary diode during startup.

Feedback Control

This device employs current-mode control, as shown in Figure 18. An opto-coupler (such as the FOD817) and shunt regulator (such as the KA431) are typically used to implement the feedback network. Comparing the feedback voltage with the voltage across the R_{SENSE} resistor makes it possible to control the switching duty cycle. When the reference pin voltage of the shunt regulator exceeds the internal reference voltage of 2.5 V, the opto-coupler LED current increases, pulling down the feedback voltage and reducing drain current. This typically occurs when the input voltage is increased or the output load is decreased.

Pulse-by-Pulse Current Limit

Because current-mode control is employed, the peak current through the SENSEFET is limited by the inverting input of PWM comparator (V_{FB}^*), as shown in Figure 18. Assuming that the 210 μ A current source flows only through the internal resistor ($3R + R = 11.6 \text{ k}\Omega$), the cathode voltage of diode D2 is about 2.4 V. Since D1 is blocked when the feedback voltage (V_{FB}) exceeds 2.4 V, the maximum voltage of the cathode of D2 is clamped at this voltage. Therefore, the peak value of the current through the SENSEFET is limited.

Leading-Edge Blanking (LEB)

At the instant the internal SENSEFET is turned on, a high-current spike usually occurs through the SENSEFET, caused by primary-side capacitance and secondary-side rectifier reverse recovery. Excessive voltage across the R_{SENSE} resistor leads to incorrect feedback operation in the current mode PWM control. To counter this effect, the FSGM0565RB employs a leading-edge blanking (LEB) circuit. This circuit inhibits the PWM comparator for t_{LEB} (300 ns) after the SENSEFET is turned on.

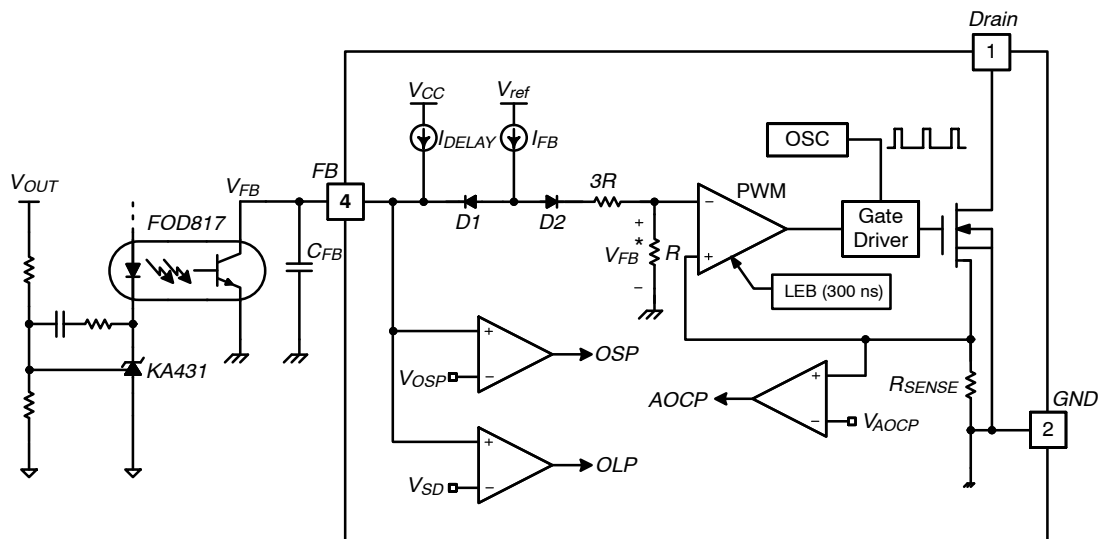


Figure 18. Pulse Width Modulation Circuit

Protection Circuits

The FSGM0565RB has several self-protective functions, such as Overload Protection (OLP), Abnormal Over-Current Protection (AOCP), Output-Short Protection (OSP), Over-Voltage Protection (OVP), and Thermal Shutdown (TSD). All the protections are implemented as auto-restart. Once the fault condition is detected, switching is terminated and the SENSEFET remains off. This causes V_{CC} to fall. When V_{BCC} falls to the Under-Voltage Lockout (UVLO) stop voltage of 7.5 V, the protection is reset and the startup circuit charges the V_{CC} capacitor. When V_{CC} reaches the start voltage of 12.0 V, the FSGM0565RB resumes normal operation. If the fault condition is not removed, the SENSEFET remains off and V_{CC} drops to stop voltage again. In this manner, the auto-restart can alternately enable and disable the switching of the power SENSEFET until the fault condition is eliminated. Because these protection circuits are fully integrated into the IC without external components, the reliability is improved without increasing cost.

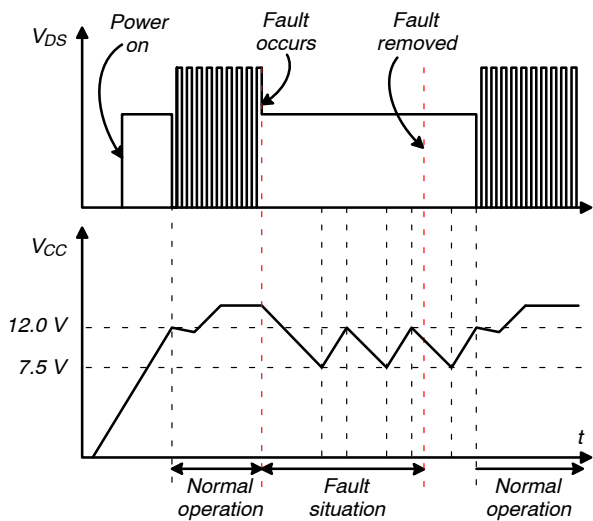


Figure 19. Auto-Restart Protection Waveforms

Overload Protection (OLP)

Overload is defined as the load current exceeding its normal level due to an unexpected abnormal event. In this situation, the protection circuit should trigger to protect the SMPS. However, even when the SMPS is in normal operation, the overload protection circuit can be triggered during the load transition. To avoid this undesired operation, the overload protection circuit is designed to trigger only after a specified time to determine whether it is a transient situation or a true overload situation. Because of the pulse-by-pulse current limit capability, the maximum peak current through the SENSEFET is limited and, therefore, the maximum input power is restricted with a given input voltage. If the output consumes more than this maximum power, the output voltage (V_{OUT}) decreases below the set voltage. This reduces the current through the opto-coupler LED, which also reduces the opto-coupler transistor

current, thus increasing the feedback voltage (V_{FB}). If V_{FB} exceeds 2.4 V, D1 is blocked and the 3.3 μ A current source starts to charge C_{FB} slowly up. In this condition, V_{FB} continues increasing until it reaches 6.0 V, when the switching operation is terminated, as shown in Figure 20. The delay time for shutdown is the time required to charge C_{FB} from 2.4 V to 6.0 V with 3.3 μ A. A 25 ~ 50 ms delay is typical for most applications. This protection is implemented in auto-restart mode.

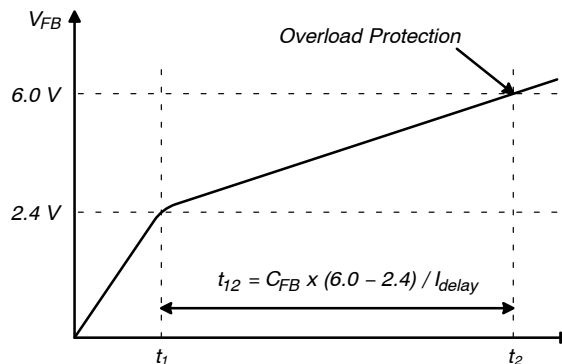


Figure 20. Overload Protection

Abnormal Over-Current Protection (AOCP)

When the secondary rectifier diodes or the transformer pins are shorted, a steep current with extremely high di/dt can flow through the SENSEFET during the minimum turn-on time. Even though the FSGM0565RB has overload protection, it is not enough to protect the FSGM0565RB in that abnormal case; since severe current stress is imposed on the SENSEFET until OLP is triggered. The FSGM0565RB internal AOCP circuit is shown in Figure 21. When the gate turn-on signal is applied to the power SENSEFET, the AOCP block is enabled and monitors the current through the sensing resistor. The voltage across the resistor is compared with a preset AOCP level. If the sensing resistor voltage is greater than the AOCP level, the set signal is applied to the S-R latch, resulting in the shutdown of the SMPS.

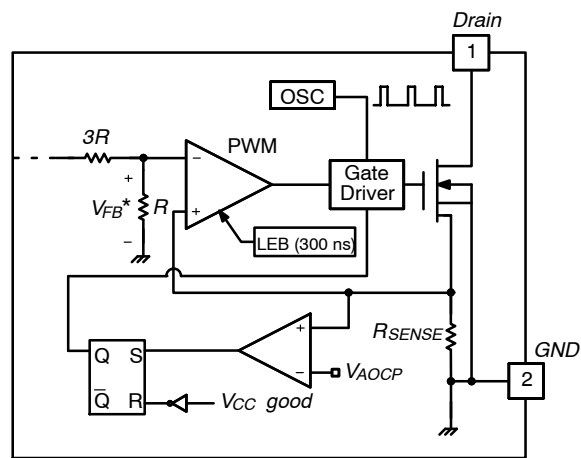


Figure 21. Abnormal Over-Current Protection

Output-Short Protection (OSP)

If the output is shorted, steep current with extremely high di/dt can flow through the SENSEFET during the minimum turn-on time. Such a steep current brings high-voltage stress on the drain of the SENSEFET when turned off. To protect the device from this abnormal condition, OSP is included. It is comprised of detecting V_{FB} and SENSEFET turn-on time. When the V_{FB} is higher than 2 V and the SENSEFET turn-on time is lower than 1.2 μ s, the FSGM0565RB recognizes this condition as an abnormal error and shuts down PWM switching until V_{CC} reaches V_{START} again. An abnormal condition output short is shown in Figure 22.

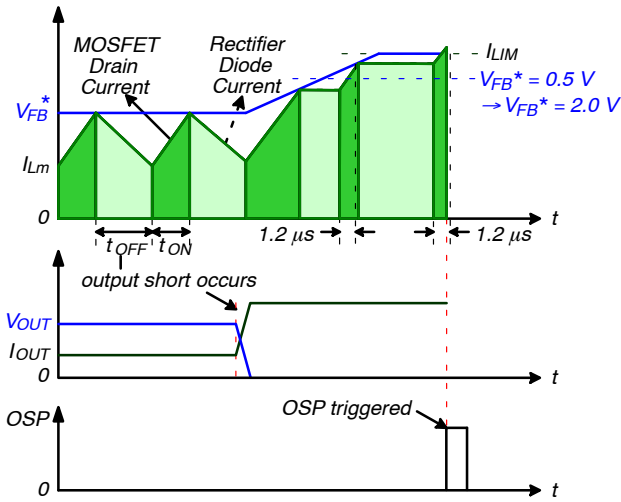


Figure 22. Output-Short Protection

Over-Voltage Protection (OVP)

If the secondary-side feedback circuit malfunctions or a solder defect causes an opening in the feedback path, the current through the opto-coupler transistor becomes almost zero. Then V_{FB} climbs up in a similar manner to the overload situation, forcing the preset maximum current to be supplied to the SMPS until the overload protection is triggered. Because more energy than required is provided to the output, the output voltage may exceed the rated voltage before the overload protection is triggered, resulting in the breakdown of the devices in the secondary side. To prevent this situation, an OVP circuit is employed. In general, the V_{CC} is proportional to the output voltage and the FSGM0565RB uses V_{CC} instead of directly monitoring the output voltage. If V_{CC} exceeds 24.5 V, an OVP circuit is triggered, resulting in the termination of the switching operation. To avoid undesired activation of OVP during normal operation, V_{CC} should be designed to be below 24.5 V.

Thermal Shutdown (TSD)

The SENSEFET and the control IC on a die in one package makes it easier for the control IC to detect the over temperature of the SENSEFET. If the temperature exceeds $\sim 140^{\circ}\text{C}$, the thermal shutdown is triggered and the FSGM0465R stops operation. The FSGM0465R operates in auto-restart mode until the temperature decreases to around 110°C , when normal operation resumes.

Soft Burst-Mode Operation

To minimize power dissipation in standby mode, the FSGM0465R enters burst-mode operation. As the load decreases, the feedback voltage decreases. As shown in Figure 23, the device automatically enters burst mode when the feedback voltage drops below V_{BURL} (400 mV). At this point, switching stops and the output voltages start to drop at a rate dependent on standby current load. This causes the feedback voltage to rise. Once it passes V_{BURH} (600 mV), switching resumes. At this point, the drain current peak increases gradually. This soft burst-mode can reduce audible noise during burst-mode operation. The feedback voltage then falls and the process repeats. Burst-mode operation alternately enables and disables switching of the SENSEFET, thereby reducing switching loss in standby mode.

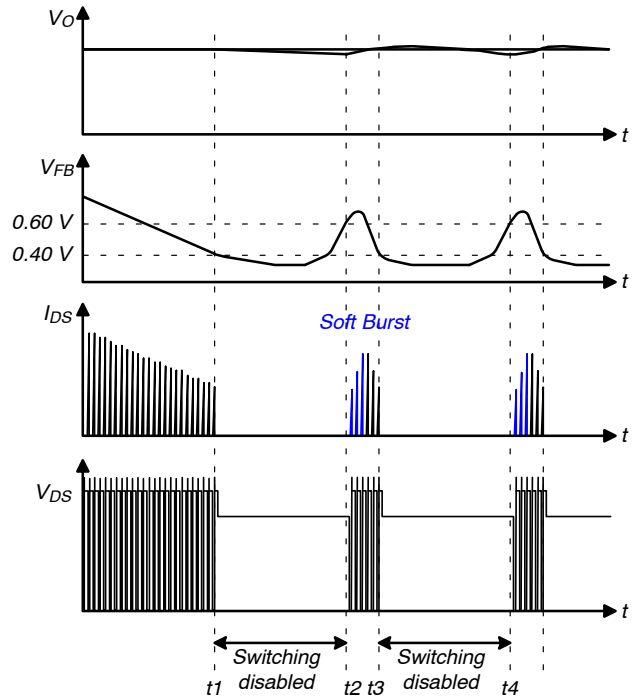


Figure 23. Burst-Mode Operation

FSGM0565RB

TYPICAL APPLICATION CIRCUIT

| Application | Input Voltage | Rated Output | Rated Power |
|------------------------------|---------------------|-----------------------------|-------------|
| LCD TV, Monitor Power Supply | 390 V _{DC} | 5.0 V (4 A) 12.0 V (4 A) | 68 W |

Key Design Notes:

1. The delay time for overload protection is designed to be about 25 ms with C105 (22 nF). OLP time between 25 ms (22 nF) and 50 ms (43 nF) is recommended.

2. The SMD-type capacitor (C106) must be placed as close as possible to the V_{CC} pin to avoid malfunction by abrupt pulsating noises and to improve ESD and surge immunity. Capacitance between 100 nF and 220 nF is recommended.

Schematic

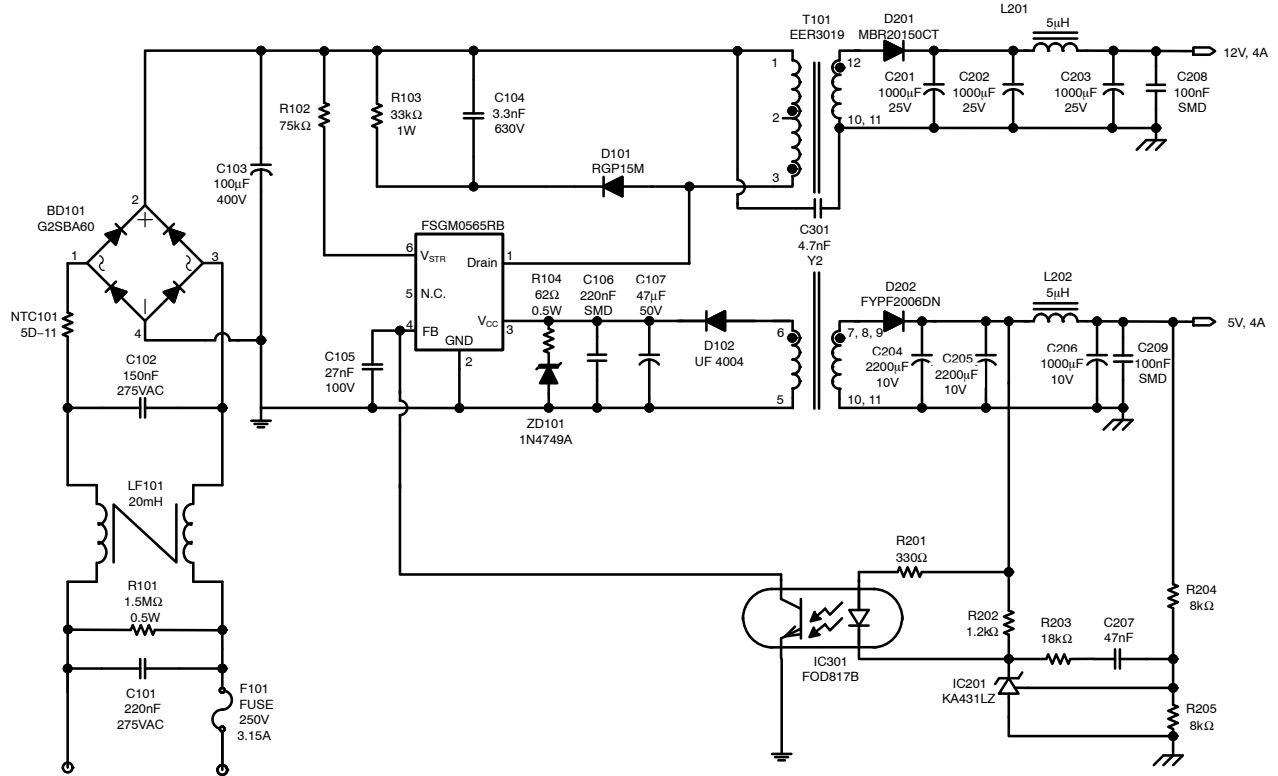


Figure 24. Schematic of Demonstration Board

Transformer

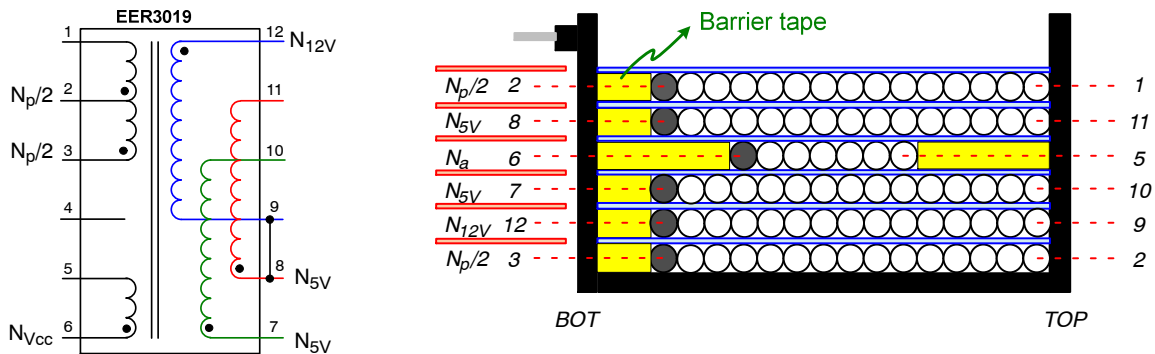


Figure 25. Schematic of Transformer

FSGM0565RB

WINDING SPECIFICATION

| | Pin (S → F) | Wire | Turns | Winding Method | Barrier Tape | | |
|---|-------------|-----------------|-------|------------------|--------------|--------|----|
| | | | | | TOP | BOT | Ts |
| N _p /2 | 3 → 2 | 0.33 φ x 1 | 22 | Solenoid Winding | | 2.0 mm | |
| Insulation: Polyester Tape t = 0.025 mm, 2 Layers | | | | | | | |
| N _{12V} | 12 → 9 | 0.4 φ x 3 (TIW) | 4 | Solenoid Winding | | 2.0 mm | 1 |
| Insulation: Polyester Tape t = 0.025 mm, 2 Layers | | | | | | | |
| N _{5V} | 7 → 10 | 0.4 φ x 4 (TIW) | 3 | Solenoid Winding | | 2.0 mm | 1 |
| Insulation: Polyester Tape t = 0.025 mm, 2 Layers | | | | | | | |
| N _a | 6 → 5 | 0.2 φ x 1 | 7 | Solenoid Winding | 4.0 mm | 4.0 mm | 1 |
| Insulation: Polyester Tape t = 0.025 mm, 2 Layers | | | | | | | |
| N _{5V} | 8 → 11 | 0.4 φ x 4 (TIW) | 3 | Solenoid Winding | | 2.0 mm | 1 |
| Insulation: Polyester Tape t = 0.025 mm, 2 Layers | | | | | | | |
| N _p /2 | 2 → 1 | 0.33 φ x 1 | 21 | Solenoid Winding | | 2.0 mm | 1 |
| Insulation: Polyester Tape t = 0.025 mm, 2 Layers | | | | | | | |

ELECTRICAL CHARACTERISTICS

| | Pin | Specification | Remark |
|------------|-------|---------------|----------------------|
| Inductance | 1 – 3 | 600 μH ±7% | 67 kHz, 1 V |
| Leakage | 1 – 3 | 15 μH Maximum | Short All Other Pins |

Core & Bobbin

• Core: EER3019 (A_e = 134.0 mm²)

• Bobbin: EER3019

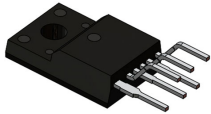
FSGM0565RB

BILL OF MATERIALS

| Part # | Value | Note | Part # | Value | Note |
|-----------------|--------------------|------------------|--------------------|---------------------|-----------------------------|
| Fuse | | | Capacitor | | |
| F101 | 250 V 3.15 A | | C101 | 220 nF / 275 V | Box (Pilkor) |
| NTC | | | C102 | 150 nF / 275 V | Box (Pilkor) |
| NTC101 | 5D-11 | DSC | C103 | 100 μ F / 400 V | Electrolytic (SamYoung) |
| Resistor | | | C104 | 3.3 nF / 630 V | Film (Sehwa) |
| R101 | 1.5 M Ω , J | 0.5 W | C105 | 22 nF / 100 V | Film (Sehwa) |
| R102 | 75 k Ω , J | 1/2 W | C106 | 220 nF | SMD (2012) |
| R103 | 33 k Ω , J | 1 W | C107 | 47 μ F / 50 V | Electrolytic (SamYoung) |
| R104 | 62 Ω , J | 1/2 W | C201 | 1000 μ F / 25 V | Electrolytic (SamYoung) |
| R201 | 330 Ω , J | 1/4 W | C202 | 1000 μ F / 25 V | Electrolytic (SamYoung) |
| R202 | 1.2 k Ω , F | 1/4 W, 1% | C203 | 1000 μ F / 25 V | Electrolytic (SamYoung) |
| R203 | 18 k Ω , F | 1/4 W, 1% | C204 | 2200 μ F / 10 V | Electrolytic (SamYoung) |
| R204 | 8 k Ω , F | 1/4 W, 1% | C205 | 1000 μ F / 16 V | Electrolytic (SamYoung) |
| R205 | 8 k Ω , F | 1/4 W, 1% | C206 | 1000 μ F / 16 V | Electrolytic (SamYoung) |
| IC | | | C207 | 47 nF / 100 V | Film (Sehwa) |
| FSGM0565RB | FSGM0565RB | ON Semiconductor | C208 | 100 nF | SMD (2012) |
| IC201 | KA431LZ | ON Semiconductor | C209 | 100 nF | SMD (2012) |
| IC301 | FOD817B | ON Semiconductor | C301 | 4.7 nF / Y2 | Y-cap (Samhwa) |
| Diode | | | Inductor | | |
| D101 | RGP15M | Vishay | LF101 | 20 mH | Line filter 0.7 \emptyset |
| D102 | UF4004 | Vishay | L201 | 5 μ H | 5A Rating |
| ZD101 | 1N4749 | Vishay | L202 | 5 μ H | 5A Rating |
| D201 | MBR20150CT | ON Semiconductor | Jumper | | |
| D202 | FYPF2006DN | ON Semiconductor | J101 | | |
| BD101 | G3SBA60 | Vishay | Transformer | | |
| | | | T101 | 600 μ H | |

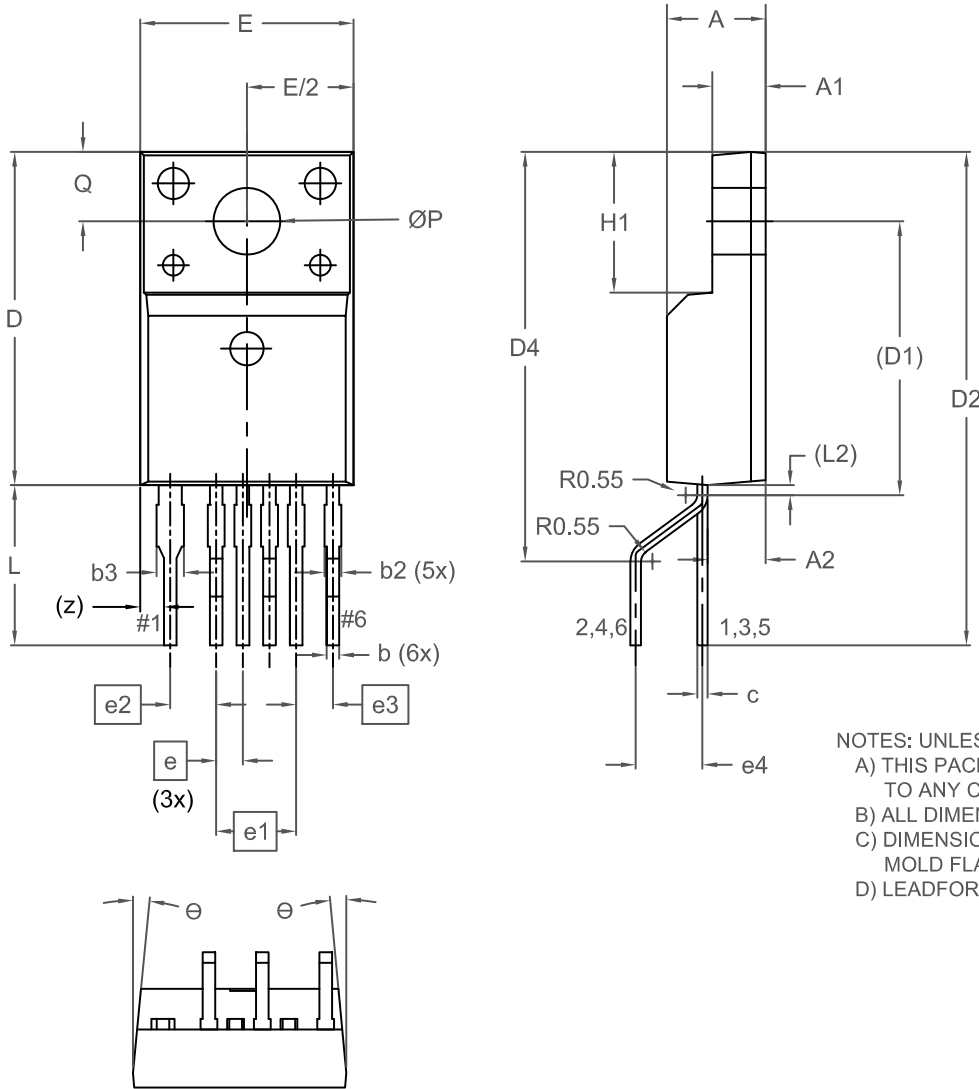
SENFET is registered trademark of Semiconductor Components Industries, LLC (SCILLC) or its subsidiaries in the United States and/or other countries.

MECHANICAL CASE OUTLINE
PACKAGE DIMENSIONS



TO-220-6LD LF
CASE 340BG
ISSUE A

DATE 01 SEP 2021



| DIM | MILLIMETERS | | |
|-----|-------------|-------|-------|
| | MIN. | NOM. | MAX. |
| A | 4.50 | 4.70 | 4.90 |
| A1 | 2.34 | 2.54 | 2.74 |
| A2 | 2.46 | 2.76 | 3.06 |
| b | 0.50 | 0.60 | 0.70 |
| b2 | 0.70 | 0.75 | 0.80 |
| b3 | 1.20 | 1.30 | 1.40 |
| c | 0.45 | 0.53 | 0.60 |
| D | 15.67 | 15.87 | 16.07 |
| D1 | 13.05 REF | | |
| D2 | 23.00 | 23.50 | 24.00 |
| D4 | 19.00 | 19.50 | 20.00 |
| E | 9.96 | 10.16 | 10.36 |
| E/2 | 4.98 | 5.08 | 5.18 |
| e | 1.27 BSC | | |
| e1 | 3.81 BSC | | |
| e2 | 2.19 BSC | | |
| e3 | 1.75 BSC | | |
| e4 | 2.88 | 3.18 | 3.48 |
| H1 | 6.50 | 6.70 | 6.90 |
| L | 7.13 | 7.63 | 8.13 |
| L2 | 0.48 REF | | |
| P | 3.08 | 3.18 | 3.28 |
| Q | 3.20 | 3.30 | 3.40 |
| z | 1.13 REF | | |
| θ | -- | -- | 5° |

- NOTES: UNLESS OTHERWISE SPECIFIED
 A) THIS PACKAGE DOES NOT COMPLY TO ANY CURRENT PACKAGING STANDARD.
 B) ALL DIMENSIONS ARE IN MILLIMETERS.
 C) DIMENSIONS ARE EXCLUSIVE OF BURRS, MOLD FLASH, AND TIE BAR EXTRUSIONS.
 D) LEADFORM OPTION A

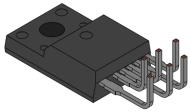
| | | |
|-------------------------|----------------------|--|
| DOCUMENT NUMBER: | 98AON13840G | Electronic versions are uncontrolled except when accessed directly from the Document Repository. Printed versions are uncontrolled except when stamped "CONTROLLED COPY" in red. |
| DESCRIPTION: | TO-220-6LD LF | PAGE 1 OF 1 |

onsemi and ONSEMI are trademarks of Semiconductor Components Industries, LLC dba onsemi or its subsidiaries in the United States and/or other countries. onsemi reserves the right to make changes without further notice to any products herein. onsemi makes no warranty, representation or guarantee regarding the suitability of its products for any particular purpose, nor does onsemi assume any liability arising out of the application or use of any product or circuit, and specifically disclaims any and all liability, including without limitation special, consequential or incidental damages. onsemi does not convey any license under its patent rights nor the rights of others.

MECHANICAL CASE OUTLINE

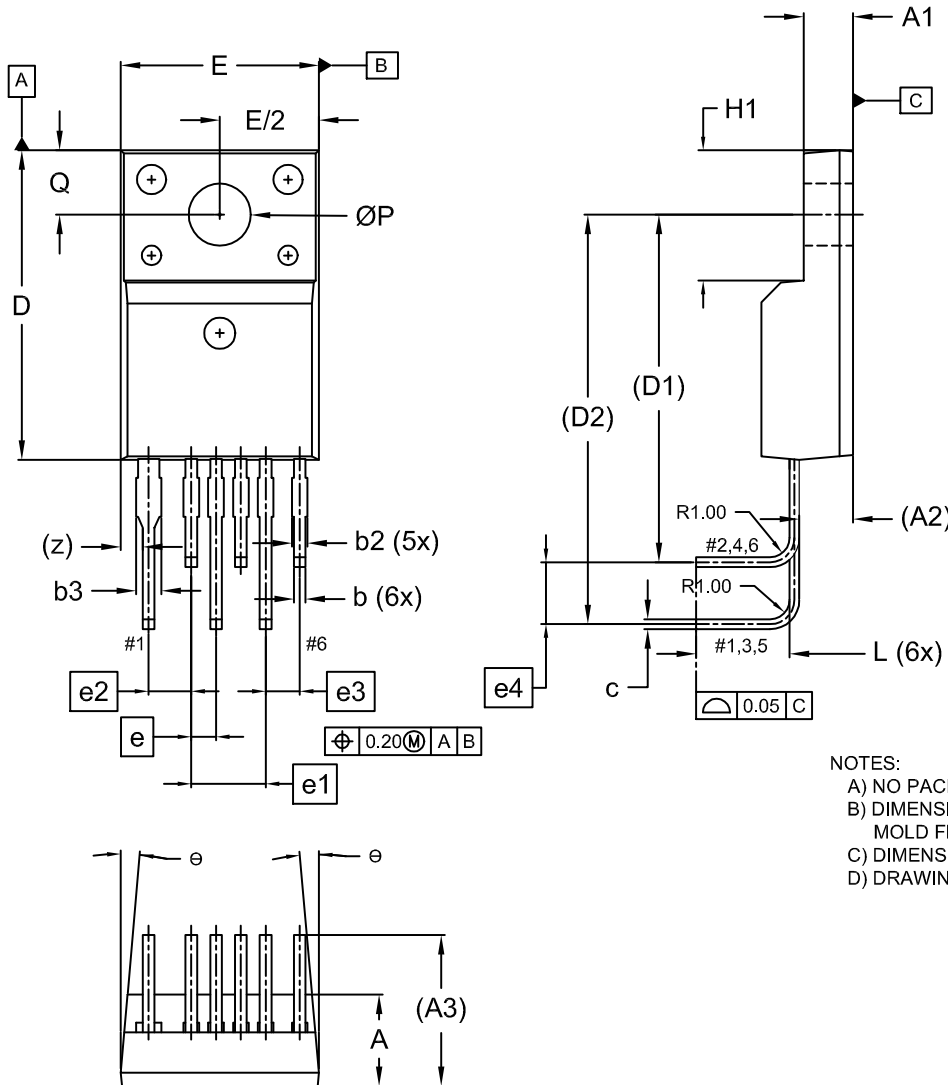
PACKAGE DIMENSIONS

ON Semiconductor®



TO-220-6LD LF
CASE 340BN
ISSUE A

DATE 22 JUL 2021



| DIM | MILLIMETERS | | |
|-----|-------------|-------|-------|
| | MIN. | NOM. | MAX. |
| A | 4.40 | 4.60 | 4.80 |
| A1 | 2.34 | 2.54 | 2.74 |
| A2 | 2.46 | 2.76 | 3.06 |
| A3 | 7.76 REF | | |
| b | 0.55 | 0.60 | 0.65 |
| b2 | 0.75 | 0.80 | 0.85 |
| b3 | 1.05 | 1.18 | 1.30 |
| c | 0.46 | 0.54 | 0.61 |
| D | 15.68 | 15.88 | 16.08 |
| D1 | 17.83 REF | | |
| D2 | 21.01 REF | | |
| E | 9.96 | 10.16 | 10.36 |
| E/2 | 4.98 | 5.08 | 5.18 |
| e | 1.27 BSC | | |
| e1 | 3.81 BSC | | |
| e2 | 2.19 BSC | | |
| e3 | 1.75 BSC | | |
| e4 | 3.18 BSC | | |
| H1 | 6.48 | 6.68 | 6.88 |
| L | 4.70 | 4.80 | 4.90 |
| P | 3.08 | 3.18 | 3.28 |
| Q | 3.20 | 3.30 | 3.40 |
| z | 1.13 REF | | |
| Ø | - | - | 5° |

NOTES:

- A) NO PACKAGE STANDARD APPLIES.
- B) DIMENSIONS ARE EXCLUSIVE OF BURRS, MOLD FLASH, AND TIE BAR EXTRUSIONS.
- C) DIMENSIONS ARE IN MILLIMETERS.
- D) DRAWING FILENAME : MKT-TO220E06REV2

| | | |
|-------------------------|----------------------|--|
| DOCUMENT NUMBER: | 98AON13847G | Electronic versions are uncontrolled except when accessed directly from the Document Repository. Printed versions are uncontrolled except when stamped "CONTROLLED COPY" in red. |
| DESCRIPTION: | TO-220-6LD LF | PAGE 1 OF 1 |

ON Semiconductor and are trademarks of Semiconductor Components Industries, LLC dba ON Semiconductor or its subsidiaries in the United States and/or other countries. ON Semiconductor reserves the right to make changes without further notice to any products herein. ON Semiconductor makes no warranty, representation or guarantee regarding the suitability of its products for any particular purpose, nor does ON Semiconductor assume any liability arising out of the application or use of any product or circuit, and specifically disclaims any and all liability, including without limitation special, consequential or incidental damages. ON Semiconductor does not convey any license under its patent rights nor the rights of others.

onsemi, **Onsemi**, and other names, marks, and brands are registered and/or common law trademarks of Semiconductor Components Industries, LLC dba "**onsemi**" or its affiliates and/or subsidiaries in the United States and/or other countries. **onsemi** owns the rights to a number of patents, trademarks, copyrights, trade secrets, and other intellectual property. A listing of **onsemi**'s product/patent coverage may be accessed at www.onsemi.com/site/pdf/Patent-Marking.pdf. **onsemi** reserves the right to make changes at any time to any products or information herein, without notice. The information herein is provided "as-is" and **onsemi** makes no warranty, representation or guarantee regarding the accuracy of the information, product features, availability, functionality, or suitability of its products for any particular purpose, nor does **onsemi** assume any liability arising out of the application or use of any product or circuit, and specifically disclaims any and all liability, including without limitation special, consequential or incidental damages. Buyer is responsible for its products and applications using **onsemi** products, including compliance with all laws, regulations and safety requirements or standards, regardless of any support or applications information provided by **onsemi**. "Typical" parameters which may be provided in **onsemi** data sheets and/or specifications can and do vary in different applications and actual performance may vary over time. All operating parameters, including "Typicals" must be validated for each customer application by customer's technical experts. **onsemi** does not convey any license under any of its intellectual property rights nor the rights of others. **onsemi** products are not designed, intended, or authorized for use as a critical component in life support systems or any FDA Class 3 medical devices or medical devices with a same or similar classification in a foreign jurisdiction or any devices intended for implantation in the human body. Should Buyer purchase or use **onsemi** products for any such unintended or unauthorized application, Buyer shall indemnify and hold **onsemi** and its officers, employees, subsidiaries, affiliates, and distributors harmless against all claims, costs, damages, and expenses, and reasonable attorney fees arising out of, directly or indirectly, any claim of personal injury or death associated with such unintended or unauthorized use, even if such claim alleges that **onsemi** was negligent regarding the design or manufacture of the part. **onsemi** is an Equal Opportunity/Affirmative Action Employer. This literature is subject to all applicable copyright laws and is not for resale in any manner.

ADDITIONAL INFORMATION

TECHNICAL PUBLICATIONS:

Technical Library: www.onsemi.com/design/resources/technical-documentation
onsemi Website: www.onsemi.com

ONLINE SUPPORT: www.onsemi.com/support

For additional information, please contact your local Sales Representative at www.onsemi.com/support/sales

Looking for pricing, stock, or lifecycle information?

Click below to explore more details on WIN SOURCE:

 [View FSGM0565RBLDTU on WIN SOURCE](#)

 [ON Semiconductor](#) Information

Optimize Your Supply Chain with WIN SOURCE Solutions

-  Global Sourcing Solution
-  Obsolete Management
-  Cost Control Management
-  Shortage Management
-  Alternative Solution
-  Excess Inventory Management