



THE DATASHEET OF BD6155FVM



DC/DC converter for LCD back light

BD6155FVM

BD6155FVM is an ideal IC to drive white LED used for the LCD back light of cellular phones, and PDA etc. This IC incorporates charging pump step-up circuit to drive white LED with high V_F . It also integrates a driver to drive white LED with 4-step constant current. Only one external resistor can set the current value.

●Applications

Small portable appliances, such as cellular phones, PHS, PDA
Battery-powered equipments using the white LED.

●Features

- 1) Built-in charging pump step-up circuit.
- 2) Built-in constant current driver for LED. (Current value : 4 steps variable)
- 3) Ultra small MSOP8 package. (Height 0.9mm Max.)

●Absolute maximum ratings (Ta=25°C)

| Parameter | Symbol | Limits | Unit |
|------------------------|------------------|-----------|------|
| Maximum supply voltage | V _{BAT} | -0.3~+6.0 | V |
| Maximum input voltage | V _{IN} | -0.3~+6.0 | V |
| Power dissipation | P _d | 350 * | mW |
| Operating temperature | T _{opr} | -25~+75 | °C |
| Storage temperature | T _{stg} | -55~+125 | °C |

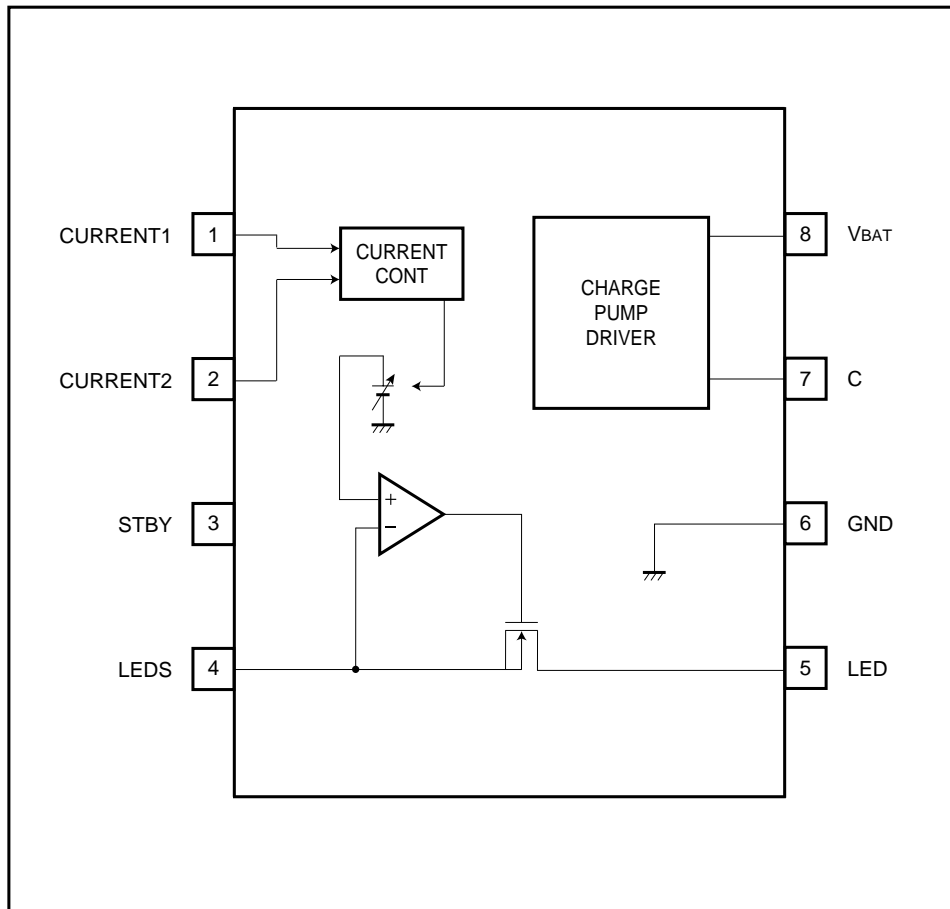
* Reduce to 3.5mW/°C when Ta=25°C or above.

●Recommended operating conditions (Ta=25°C)

| Parameter | Symbol | Min. | Typ. | Max. | Unit |
|--------------|------------------|------|------|------|------|
| Power supply | V _{BAT} | 2.9 | - | 5.5 | V |

Communication ICs

●Block diagram



●Pin descriptions

| Pin No. | Pin Name | Function |
|---------|----------|---|
| 1 | CURRENT1 | Fixed current setup pin1. |
| 2 | CURRENT2 | Fixed current setup pin2. |
| 3 | STBY | Stand-by pin (High:Operation, Low:No operation) |
| 4 | LEDS | LED driver current pin (Fixed current sink pin) |
| 5 | LED | LED cathode connection pin for charge pump |
| 6 | GND | Ground |
| 7 | C | Capacitor connection pin for charge pump |
| 8 | VBAT | Power supply voltage input pin |

Communication ICs

●Electrical characteristics (unless otherwise noted, Ta=25°C, VBAT=3.6V, STBY=3.6V)

| Parameter | Symbol | Min. | Typ. | Max. | Unit | Conditions |
|---|---------------------|-----------------|------|------|------|---|
| <LED+Charge pump block> | | | | | | |
| Circuit current | Iq1 | - | 0.3 | 1.0 | mA | No load |
| Standby current | Iq2 | - | - | 5 | μA | No load, STBY=0V |
| <Fixed current driver for LED> | | | | | | |
| LED max drive current | I _{LEDMAX} | - | - | 80 | mA | |
| NMOS ON resistance | R _{on7} | - | 3 | 7 | Ω | Drive current 80mA |
| Current control setup voltage 1 | ΔV _{LED1} | 184 | 205 | 226 | mV | CURRENT2=High, CURRENT1=High |
| Current control setup voltage 2 | ΔV _{LED2} | 131 | 155 | 179 | mV | CURRENT2=High, CURRENT1=LOW |
| Current control setup voltage 3 | ΔV _{LED3} | 89 | 105 | 121 | mV | CURRENT2=LOW, CURRENT1=High |
| Current control setup voltage 4 | ΔV _{LED4} | 42 | 55 | 68 | mV | CURRENT2=LOW, CURRENT1=LOW |
| Fixed current setup pin control voltage | Hi | V _{IH} | 2.0 | - | - | V |
| | Low | V _{IL} | -0.3 | - | 0.3 | V |
| <Charge pump> | | | | | | |
| Oscillator frequency | f _{osc} | - | 120 | - | kHz | |
| Output voltage 1 | V _{DC1} | 4.8 | 5.6 | - | V | V _{BAT} =3.6V, I _o =80mA charge pump output monitor RB521-S30 use |
| Output voltage 2 | V _{DC2} | 4.4 | 4.8 | - | V | V _{BAT} =3.2V, I _o =60mA charge pump output monitor RB521-S30 use |
| Stand-by pin pull down resistor | R _{STBY} | 250 | 400 | 700 | kΩ | |
| Stand-by pin control voltage | Active | V _{IH} | 2.0 | - | - | V |
| | Stand-by | V _{IL} | -0.3 | - | 0.3 | V |

© This product is not designed for protection against radioactive rays.

●Measurement circuit

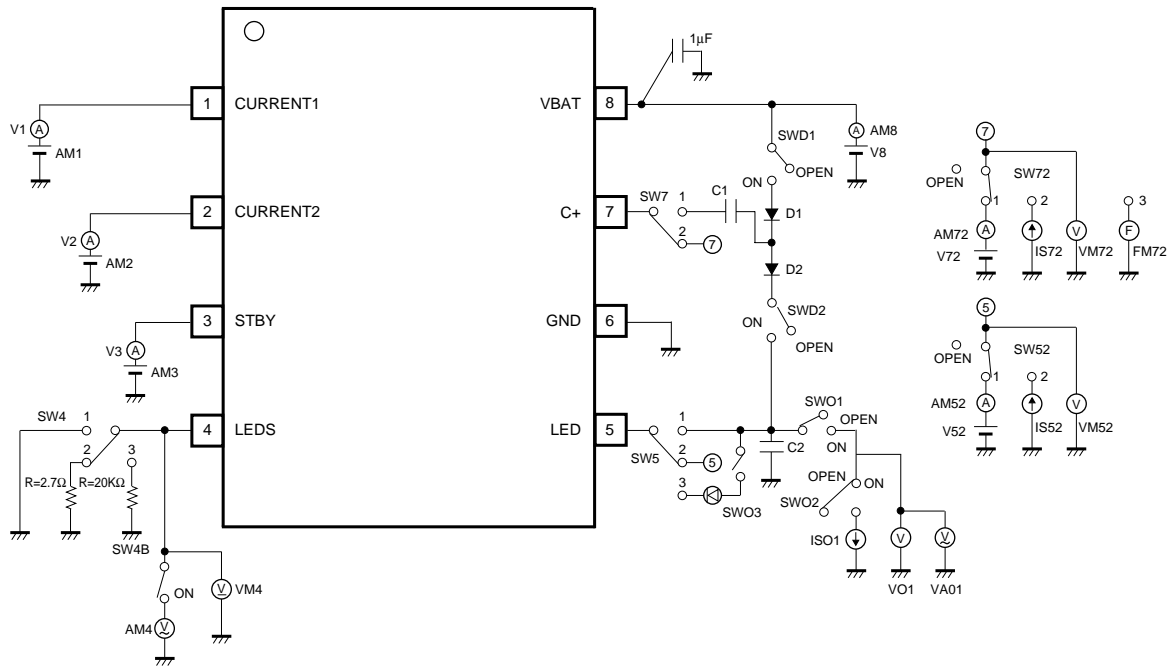


Fig.1

Communication ICs

●Circuit operation

1) Charge pump driver

Charge pump is consisted capacitor pin (pin7), external schotky diodes and capacitors.

Output voltage at no loading is 2VBAT-2VF. (VF is as same as schotky's VF)

Output voltage at loading is referred Fig2. As standard example, however it depends on external components.

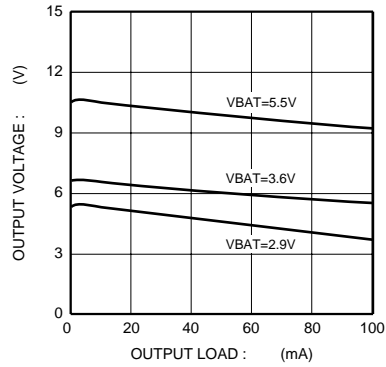
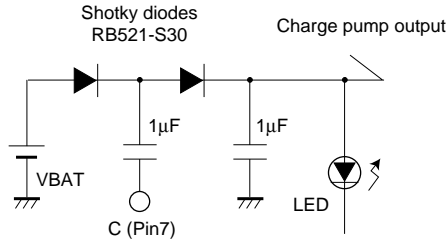


Fig.2 Charge pump loading characteristics (Typical operating characteristics)

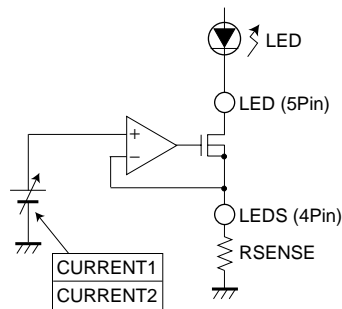
2) Fixed current driver

LED driver fixed current is determined by resistor value between LED pin (pin4) and GND.

At current control set up voltage1 (Current1, 2=High) resistor value between LED-GND is set as 2.7Ω.

$$205\text{mV} \div 2.7\Omega = 75.9\text{mA} \dots (2 \text{ expressions})$$

The above current is loaded to LED as fixed current.



● LED drive current fix example

| | LEDS pin voltage (mV) | LED drive current (mA) | |
|---|-----------------------|------------------------|-------------|
| | | RSENSE=2.7Ω | RSENSE=5.1Ω |
| Current control setup voltage 1 (Current 1=High Current 2=High) | 205.0 | 75.9 | 40.2 |
| Current control setup voltage 2 (Current 1=Low Current 2=High) | 155.0 | 57.4 | 30.4 |
| Current control setup voltage 3 (Current 1=High Current 2=Low) | 105.0 | 38.9 | 20.6 |
| Current control setup voltage 4 (Current 1=Low Current 2=Low) | 55.0 | 20.4 | 10.8 |

The less RSENSE, the bigger fixed current for LED drive.

Resistors value should be determined with confirmation of charge pump loading characteristics (Fig.2) and LED's I-V characteristics.

Communication ICs

●Design information

1. The maximum of power loss of this IC is controlled by the output transistor M1 in regulator driver.

Relations of the power supply voltage are signified in 2 expressions with this loss.

$$\Delta V = V_{OUT} - (VF2 + I_{LED} \times R1 + V_{LED})$$

The loss in M1,

$$\Delta V \times I_{LED} = I_{LED} \times \{2V_{BAT} - (2VF1 + VF2 + I_{LED} \times R1 + V_{LED})\} \dots (2 \text{ expressions})$$

ΔV ; The voltage between LED-LEDS

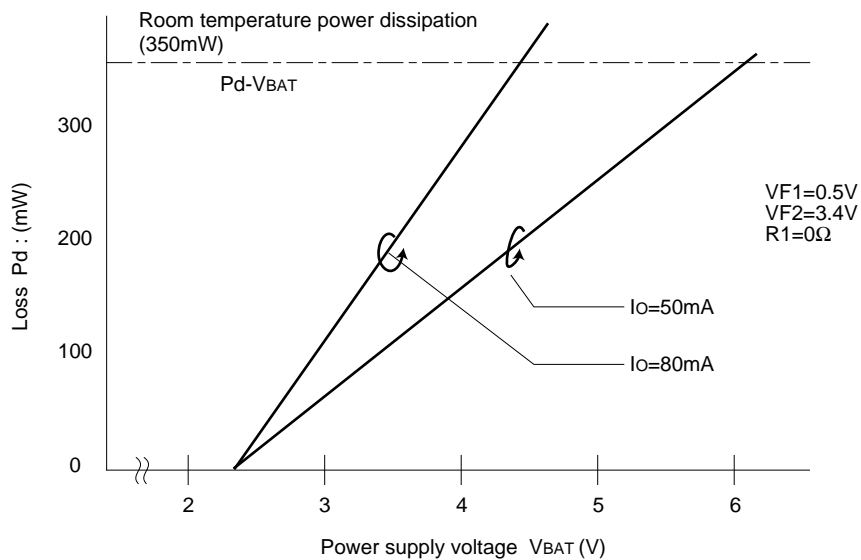
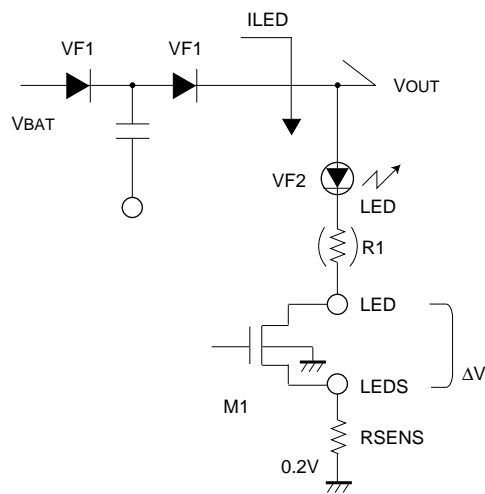
$VF1$; Shotky's Di VF

$VF2$; LED's VF

V_{OUT} ; Charge pump output voltage (Fig.2)

V_{LED} ; The voltage across RSENSE (examples at 205mV calculation)

I_{LED} ; Drive current.

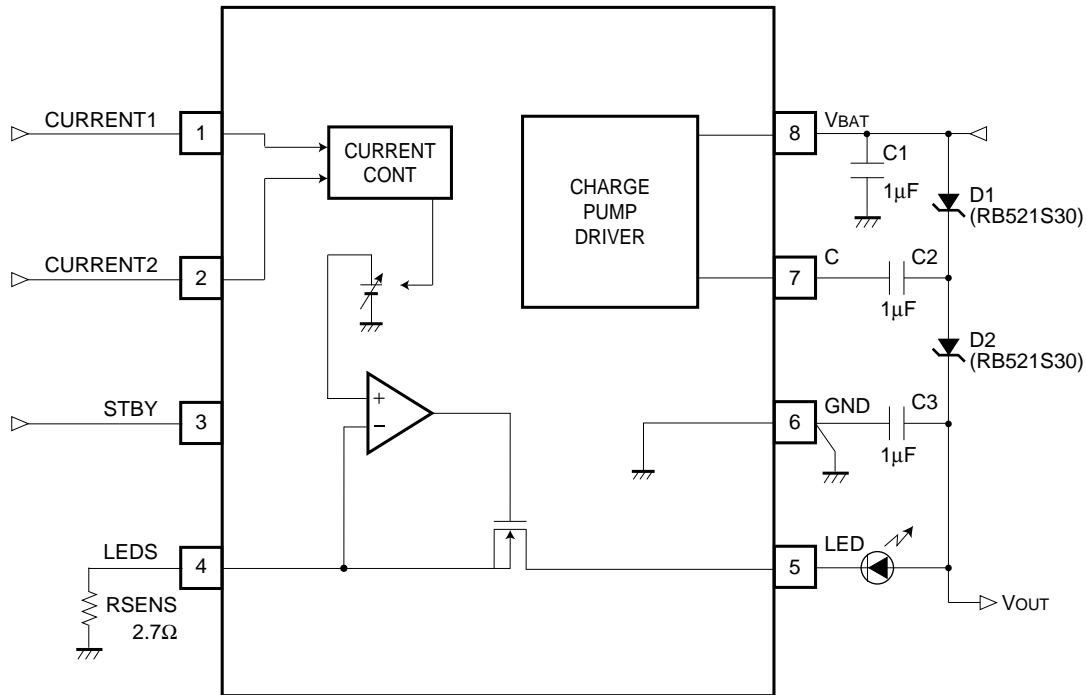


2) Power supply voltage

The thermal shutdown circuit turn on, and output electric current declines when chip temperature is about 125 degrees due to low electric current driver.

Communication ICs

●Application example



●Attached components

- (1) We recommend capacitor with lower ESR.
- (2) We recommend capacitor with is good characteristics to temperature.
- (3) Mount all capacitor as close together as possible.

●Operation notes

- (1) The notes in power supply turning on.
Turn STBY pin (pin3) in the low state with power supply.
From this sequence, current flowing to the LED terminal is prevented.
- (2) Patern layout
Make wiring for power supply, GND and – GND short and thick. Take into considerations the power supply ripple.
A coupling capacitor, which lowers power supply impedance will make it decline.
- (3) Though this product is carefully checked for quality assurance, however if it exceeds the absolute maximum rating such as applied voltage and operating temperature range, this IC may be deteriorated or damaged. One this IC is damaged, short-circuits and open modes can not be identified. If the usage of the devices involves operations which will exceed the absolute maximum rating, then it is necessary to take safety measures such as a fuse to protect the device.
- (4) GND
Electric potential as the GND pin must be minimum in any operating condition. Keep the electric potential of the GND pin below that of the other pins except GND pin in consideration of transient phenomenon.
- (5) Thermal design
Be careful to ensure adequate margins for thermal design in consideration of power dissipation (Pd) in actual operating mode.
- (6) Misplacement and short-circuit between pins
When you put the IC on the print-circuit board, please be careful of the direction and correct placement of the IC.
If the IC is placed wrongly, IC may be damaged. And also, the IC may be damaged if an alien substance is mixed into the line (output-output or output-GND) to be short.

Communication ICs

(7) Operation in the strong electromagnetic field

Please be careful that this IC may be miss operated in the strong electromagnetic field.

●Electrical characteristic curves

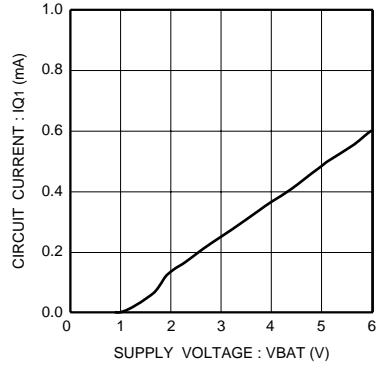


Fig.4 Circuit current-power supply voltage

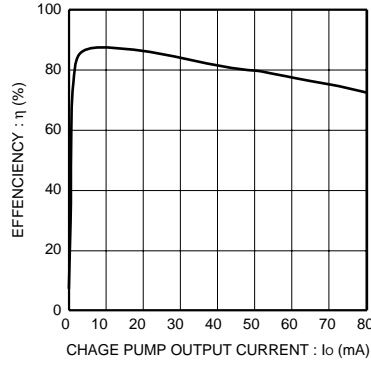


Fig.5 Efficiency-load current (note1)

note1 : Charge pump's characteristic

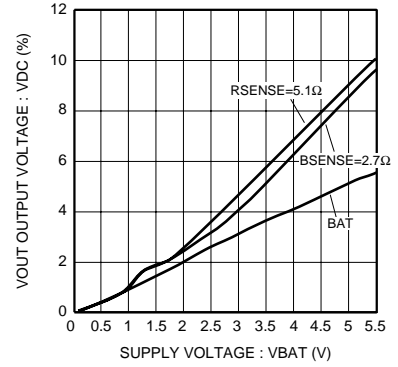


Fig.6 Charge pump output-power supply voltage

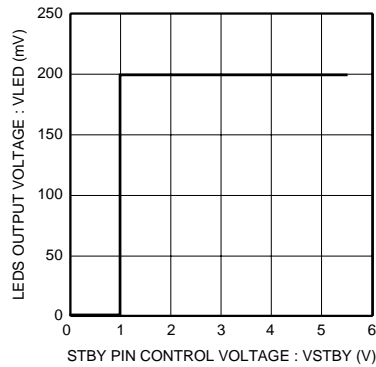


Fig.7 LEDS output voltage-STBY terminal voltage

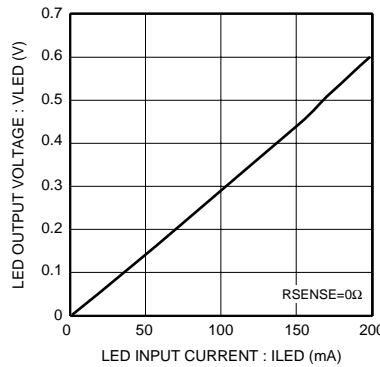


Fig.8 LED output voltage-LED power supply

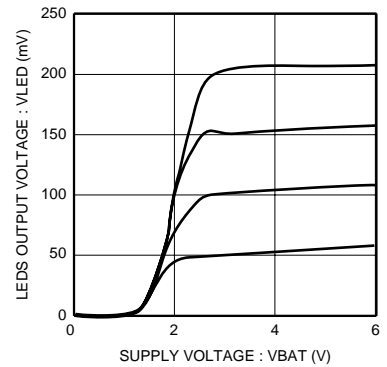
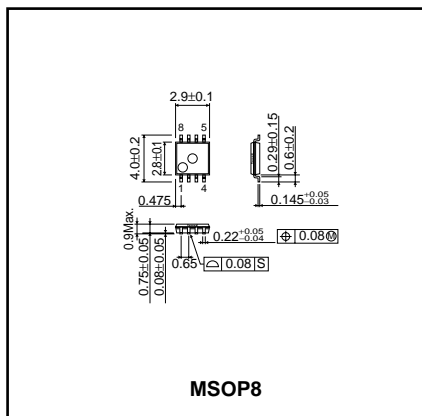


Fig.9 LEDS output voltage-power supply voltage

●External dimensions (Units: mm)



Notes

- No technical content pages of this document may be reproduced in any form or transmitted by any means without prior permission of ROHM CO.,LTD.
- The contents described herein are subject to change without notice. The specifications for the product described in this document are for reference only. Upon actual use, therefore, please request that specifications to be separately delivered.
- Application circuit diagrams and circuit constants contained herein are shown as examples of standard use and operation. Please pay careful attention to the peripheral conditions when designing circuits and deciding upon circuit constants in the set.
- Any data, including, but not limited to application circuit diagrams information, described herein are intended only as illustrations of such devices and not as the specifications for such devices. ROHM CO.,LTD. disclaims any warranty that any use of such devices shall be free from infringement of any third party's intellectual property rights or other proprietary rights, and further, assumes no liability of whatsoever nature in the event of any such infringement, or arising from or connected with or related to the use of such devices.
- Upon the sale of any such devices, other than for buyer's right to use such devices itself, resell or otherwise dispose of the same, no express or implied right or license to practice or commercially exploit any intellectual property rights or other proprietary rights owned or controlled by
- ROHM CO., LTD. is granted to any such buyer.
- Products listed in this document use silicon as a basic material.
Products listed in this document are no antiradiation design.

The products listed in this document are designed to be used with ordinary electronic equipment or devices (such as audio visual equipment, office-automation equipment, communications devices, electrical appliances and electronic toys).

Should you intend to use these products with equipment or devices which require an extremely high level of reliability and the malfunction of which would directly endanger human life (such as medical instruments, transportation equipment, aerospace machinery, nuclear-reactor controllers, fuel controllers and other safety devices), please be sure to consult with our sales representative in advance.



About Export Control Order in Japan

Products described herein are the objects of controlled goods in Annex 1 (Item 16) of Export Trade Control Order in Japan.

In case of export from Japan, please confirm if it applies to "objective" criteria or an "informed" (by MITI clause) on the basis of "catch all controls for Non-Proliferation of Weapons of Mass Destruction.

Looking for pricing, stock, or lifecycle information?

Click below to explore more details on WIN SOURCE:

-  [View BD6155FVM on WIN SOURCE](#)
-  [Rohm Semiconductor](#) Information

Optimize Your Supply Chain with WIN SOURCE Solutions

-  Global Sourcing Solution
-  Obsolete Management
-  Cost Control Management
-  Shortage Management
-  Alternative Solution
-  Excess Inventory Management