



**THE DATASHEET OF
IRS25803DSTRPBF**



“COMBO8” PFC + BALLAST CONTROL IC

Features

- PFC, ballast control and half-bridge driver in one IC
- Critical-conduction mode boost-type PFC
- Internal VBUS sensing and regulation
- Internal PFC loop compensation
- Programmable PFC over-current
- Ignition voltage regulation (current or voltage control)
- Half-bridge non-ZVS protection
- Half-bridge over-current protection using low-side MOSFET R_{ds(on)}
- Programmable preheat time
- Programmable preheat frequency
- Programmable ignition ramp time
- Programmable run frequency
- Voltage-controlled oscillator (VCO) analog input
- Latched EOL window comparator on VCC
- Internal EOL fault timer
- Fixed dead-time (1.7 μsec typ.)
- DC bus under-voltage reset
- Lamp insert auto-restart
- Micro-power start-up current
- Under-voltage lock-out mode
- Small 8-pin SOIC package
- Lead-free

Product Summary

Topology	Boost + Half-Bridge
V _{OFFSET}	600 V
V _{BUS}	470 V
I _{O+} & I _{O-} (typical)	180 mA & 260 mA
Dead-time	1.7μs

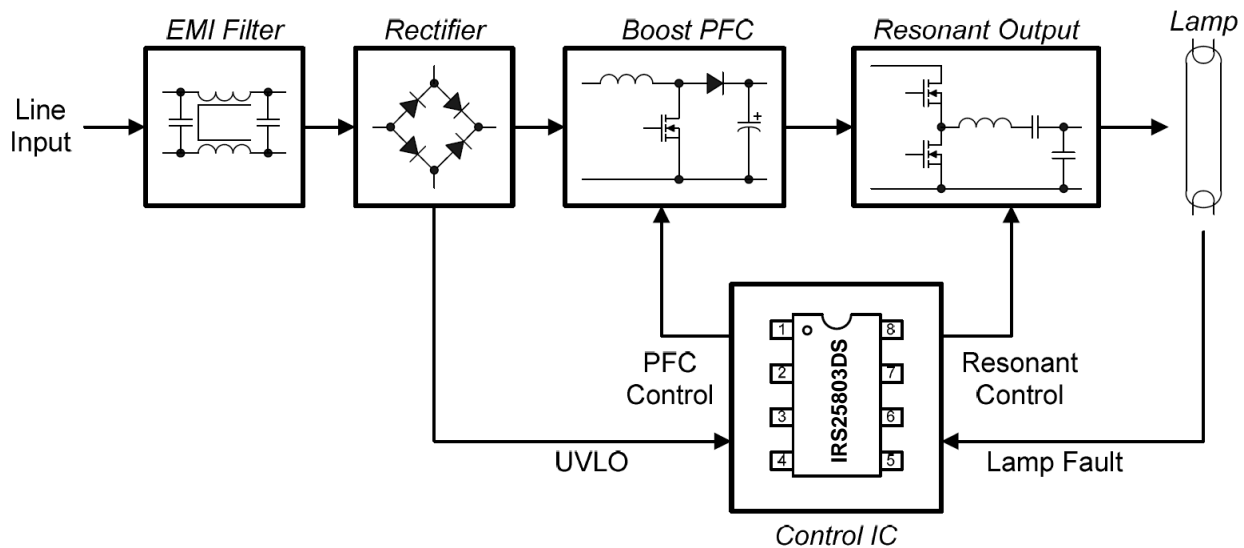
Package Options



Applications

- Electronic Ballast

Typical Application Diagram



Looking for pricing, stock, or lifecycle information?

Click below to explore more details on WIN SOURCE:

 [View IRS25803DSTRPBF on WIN SOURCE](#)

 [Infineon Technologies](#) Information

Optimize Your Supply Chain with WIN SOURCE Solutions

-  Global Sourcing Solution
-  Obsolete Management
-  Cost Control Management
-  Shortage Management
-  Alternative Solution
-  Excess Inventory Management