



**THE DATASHEET OF  
JAN2N3251A**



## PNP SILICON LOW POWER TRANSISTOR

Qualified per MIL-PRF-19500/323

### DEVICES

**2N3250A**  
**2N3250AUB**

**2N3251A**  
**2N3251AUB**

### LEVELS

**JAN**  
**JANTX**  
**JANTXV**

### ABSOLUTE MAXIMUM RATINGS ( $T_C = +25^\circ\text{C}$ unless otherwise noted)

Parameters / Test Conditions	Symbol	Value	Unit
Collector-Emitter Voltage	$V_{CEO}$	60	Vdc
Collector-Base Voltage	$V_{CBO}$	60	Vdc
Emitter-Base Voltage	$V_{EBO}$	5.0	Vdc
Collector Current	$I_C$	200	mAdc
Total Power Dissipation	$P_T$	0.36 1.2	W
		@ $T_A = +25^\circ\text{C}$ <sup>(1)</sup> @ $T_C = +25^\circ\text{C}$ <sup>(1)</sup>	
Operating & Storage Junction Temperature Range	$T_J, T_{stg}$	-65 to +200	$^\circ\text{C}$

### THERMAL CHARACTERISTICS

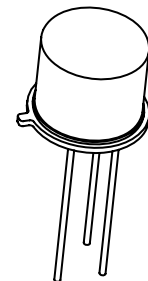
Parameters / Test Conditions	Symbol	Max.	Unit
Thermal Resistance, Junction-to-Case	$R_{\theta JC}$ <sup>(1)</sup>	150	$^\circ\text{C}/\text{W}$

#### Note:

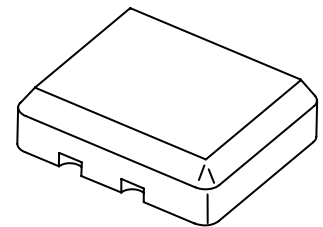
1/ Consult 19500/323 for thermal curves

### ELECTRICAL CHARACTERISTICS ( $T_A = +25^\circ\text{C}$ , unless otherwise noted)

Parameters / Test Conditions	Symbol	Min.	Max.	Unit
<b>OFF CHARACTERISTICS</b>				
Collector-Emitter Breakdown Voltage $I_C = 10\text{mAdc}$	$V_{(BR)CEO}$	60		Vdc
Collector-Emitter Cutoff Voltage $V_{BE} = 3.0\text{Vdc}, V_{CE} = 40\text{Vdc}$ $V_{BE} = 3.0\text{Vdc}, V_{CE} = 40\text{Vdc}$ $T_A = 150^\circ\text{C}$	$I_{CEX}$		20 20	$\eta\text{Adc}$ $\mu\text{Adc}$
Collector-Base Cutoff Current $V_{CB} = 60\text{Vdc}$ $V_{CB} = 40\text{Vdc}$	$I_{CBO}$		10 20	$\mu\text{Adc}$ $\eta\text{Adc}$
Emitter-Base Cutoff Current $V_{EB} = 5.0\text{Vdc}$	$I_{EBO}$		10	$\mu\text{Adc}$
Collector-Emitter Cutoff Voltage $V_{BE} = 3.0\text{Vdc}, V_{CE} = 40\text{Vdc}$	$I_{BEX}$		50	$\eta\text{Adc}$



TO-39 (TO-205AD)



UB Package

## ELECTRICAL CHARACTERISTICS ( $T_A = +25^\circ\text{C}$ , unless otherwise noted) (CONT.)

Parameters / Test Conditions	Symbol	Min.	Max.	Unit
<b>ON CHARACTERISTICS <sup>(2)</sup></b>				
Forward-Current Transfer Ratio $I_C = 0.1\text{mA}$ , $V_{CE} = 1.0\text{Vdc}$	2N3250A, AUB 2N3251A, AUB	40 80		
$I_C = 1.0\text{mA}$ , $V_{CE} = 1.0\text{Vdc}$	2N3250A, AUB 2N3251A, AUB	45 90		
$I_C = 10\text{mA}$ , $V_{CE} = 1.0\text{Vdc}$	2N3250A, AUB 2N3251A, AUB	50 100	150 300	
$I_C = 50\text{mA}$ , $V_{CE} = 1.0\text{Vdc}$	2N3250A, AUB 2N3251A, AUB	15 30		
$I_C = 1.0\text{mA}$ , $V_{CE} = 1.0\text{Vdc}$ $T_A = -55^\circ\text{C}$	2N3250A, AUB 2N3251A, AUB	20 40		
Collector-Emitter Saturation Voltage $I_C = 10\text{mA}$ , $I_B = 1.0\text{mA}$ $I_C = 50\text{mA}$ , $I_B = 5.0\text{mA}$	$V_{CE(sat)}$		0.25 0.50	Vdc
Base-Emitter Saturation Voltage $I_C = 10\text{mA}$ , $I_B = 1.0\text{mA}$ $I_C = 50\text{mA}$ , $I_B = 5.0\text{mA}$	$V_{BE(sat)}$	0.60	0.90 1.20	Vdc

## DYNAMIC CHARACTERISTICS

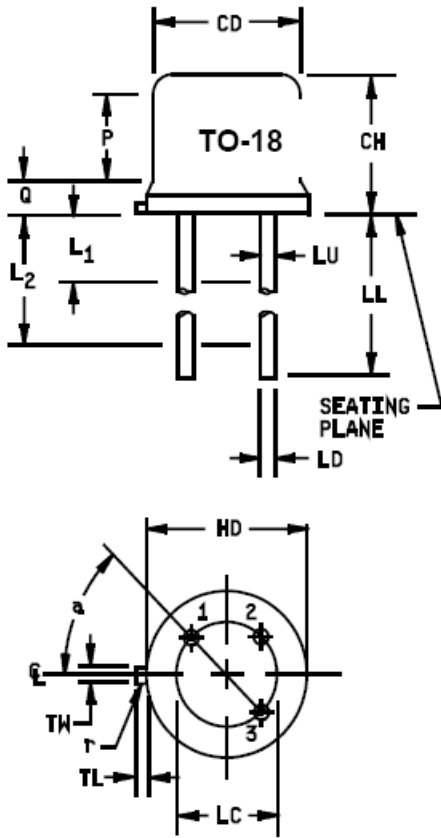
Parameters / Test Conditions	Symbol	Min.	Max.	Unit
Small-Signal Short-Circuit Forward Current Transfer Ratio $I_C = 1.0\text{mA}$ , $V_{CE} = 10\text{Vdc}$ , $f = 1.0\text{kHz}$	2N3250A, AUB 2N3251A, AUB	50 100	200 400	
Magnitude of Common Emitter Small-Signal Short-Circuit Forward Current Transfer Ratio $I_C = 10\text{mA}$ , $V_{CE} = 20\text{Vdc}$ , $f = 100\text{kHz}$	2N3250A, AUB 2N3251A, AUB	2.5 3.0	9.0 9.0	
Output Capacitance $V_{CB} = 10\text{Vdc}$ , $I_E = 0$ , $100\text{kHz} \leq f \leq 1.0\text{MHz}$	$C_{obo}$		6.0	pF
Input Capacitance $V_{EB} = 1.0\text{Vdc}$ , $I_C = 0$ , $100\text{kHz} \leq f \leq 1.0\text{MHz}$	$C_{ibo}$		8.0	pF

## SWITCHING CHARACTERISTICS

Parameters / Test Conditions	Symbol	Min.	Max.	Unit
Turn-On Time $V_{CC} = 3.0\text{Vdc}$ ; $I_C = 10\text{mA}$ ; $I_{B1} = 1.0\text{mA}$	$t_{on}$		70	ns
Turn-Off Time $V_{CC} = 3.0\text{Vdc}$ ; $I_C = 10\text{mA}$ ; $I_{B1} = I_{B2} = 1.0\text{mA}$	2N3250A, AUB 2N3251A, AUB		250 300	ns

(2) Pulse Test: Pulse Width = 300 $\mu\text{s}$ , Duty Cycle  $\leq 2.0\%$

**PACKAGE DIMENSIONS**

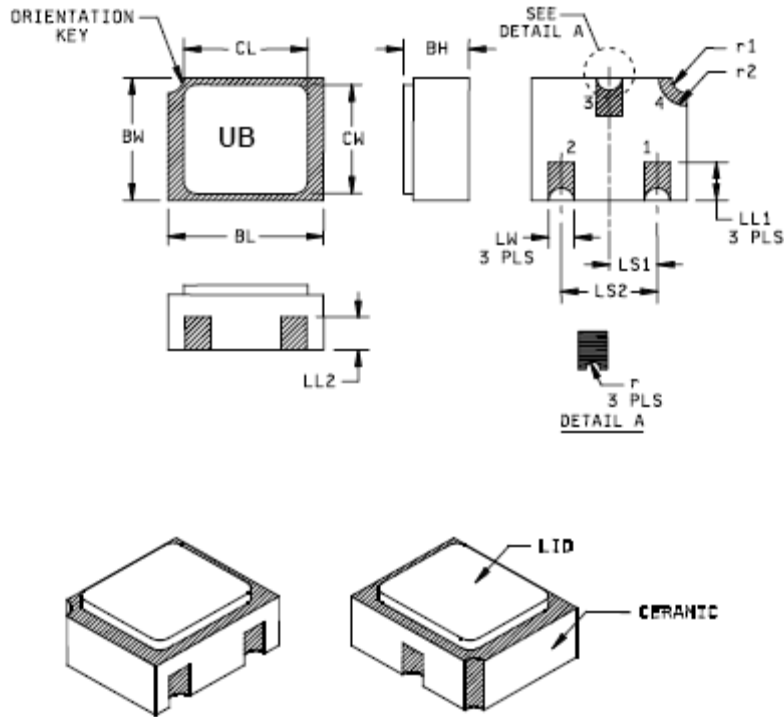


Symbol	Dimensions				Notes
	Inches		Millimeters		
	Min	Max	Min	Max	
CD	.178	.195	4.52	4.95	
CH	.170	.210	4.32	5.33	
HD	.209	.230	5.31	5.74	
LC	.100TP		2.54 TP		6
LD	.016	.021	0.41	0.53	7, 8
LL	.500	.750	12.70	19.05	7, 8
LU	.016	.019	0.41	0.48	7, 8
L1		.050		1.27	7, 8
L2	.250		6.35		7, 8
P	.100		2.54		
Q		.040		1.02	5
TL	.028	.048	0.71	1.22	3, 4
TW	.036	.046	0.91	1.17	3
r		.010		0.25	10
$\alpha$	45° TP		45° TP		6

**NOTES:**

1. Dimension are in inches.
2. Millimeters are given for general information only.
3. Beyond r (radius) maximum, TH shall be held for a minimum length of .011 inch (0.28 mm).
4. Dimension TL measured from maximum HD.
5. Body contour optional within zone defined by HD, CD, and Q.
6. Leads at gauge plane .054 +.001 -.000 inch (1.37 +0.03 -0.00 mm) below seating plane shall be within .007 inch (0.18 mm) radius of true position (TP) at maximum material condition (MMC) relative to tab at MMC. The device may be measured by direct methods or by the gauge and gauging procedure shown in figure 2.
7. Dimension LU applies between L1 and L2. Dimension LD applies between L2 and LL minimum. Diameter is uncontrolled in L1 and beyond LL minimum.
8. All three leads.
9. The collector shall be internally connected to the case.
10. Dimension r (radius) applies to both inside corners of tab.
11. In accordance with ASME Y14.5M, diameters are equivalent to  $\phi$ x symbology.
12. Lead 1 = emitter, lead 2 = base, lead 3 = collector.

**FIGURE 1.** Physical dimensions (similar to TO-18).



Ltr.	Dimensions				Note	Ltr.	Dimensions				Note
	Inches		Millimeters				Inches		Millimeters		
	Min	Max	Min	Max			Min	Max	Min	Max	
BH	.046	.056	1.17	1.42		LS <sub>1</sub>	.035	.039	0.89	0.99	
BL	.115	.128	2.92	3.25		LS <sub>2</sub>	0.71	.079	1.80	2.01	
BW	.085	.108	2.16	2.74		LW	.016	.024	0.41	0.61	
CL		.128		3.25		r		.008		0.20	
CW		.108		2.74		r <sub>1</sub>		.012		0.31	
LL <sub>1</sub>	.022	.038	0.56	0.96		r <sub>2</sub>		.022		0.56	
LL <sub>2</sub>	.017	.035	0.43	0.89							

NOTES:

1. Dimensions are in inches.
2. Millimeters are given for general information only.
3. Hatched areas on package denote metallized areas
4. Pad 1 = Base, Pad 2 = Emitter, Pad 3 = Collector, Pad 4 = Shielding connected to the lid.
5. In accordance with ASME Y14.5M, diameters are equivalent to  $\phi$ x symbology.

**FIGURE 2.** Physical dimensions, surface mount (UB version).

## Looking for pricing, stock, or lifecycle information?

Click below to explore more details on WIN SOURCE:

- ⊖ [View JAN2N3251A on WIN SOURCE](#)
- ⊖ [Microsemi Corporation](#) Information

## Optimize Your Supply Chain with WIN SOURCE Solutions

- ✓ Global Sourcing Solution
- ✓ Obsolete Management
- ✓ Cost Control Management
- ✓ Shortage Management
- ✓ Alternative Solution
- ✓ Excess Inventory Management