



**THE DATASHEET OF
JANTX2N6901**



N-CHANNEL LOGIC LEVEL MOSFET

Qualified per MIL-PRF-19500/570

DEVICES

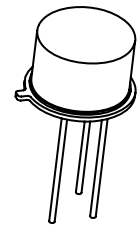
2N6901

LEVELS
JAN
JANTX
JANTXV

ABSOLUTE MAXIMUM RATINGS ($T_C = +25^\circ\text{C}$ unless otherwise noted)

Parameters / Test Conditions	Symbol	Value	Unit
Drain – Source Voltage	V_{DS}	100	Vdc
Gate – Source Voltage	V_{GS}	± 10	Vdc
Continuous Drain Current $T_C = +25^\circ\text{C}$	I_{D1}	1.69	Adc
Continuous Drain Current $T_C = +100^\circ\text{C}$	I_{D2}	1.07	Adc
Max. Power Dissipation	P_{tl}	8.33 ⁽¹⁾	W
Drain to Source On State Resistance	$R_{ds(on)}$	1.4 ⁽²⁾	Ω
Operating & Storage Temperature	T_{op}, T_{stg}	-55 to +150	$^\circ\text{C}$

Note: (1) Derated Linearly by 0.067 W/ $^\circ\text{C}$ for $T_C > +25^\circ\text{C}$
 (2) $V_{GS} = 5\text{Vdc}$, $I_D = 1.07\text{A}$



2N6901
TO-205AF
 (formerly TO-39)

SEE FIGURE 1

ELECTRICAL CHARACTERISTICS ($T_A = +25^\circ\text{C}$, unless otherwise noted)

Parameters / Test Conditions	Symbol	Min.	Max.	Unit
OFF CHARACTERISTICS				
Drain-Source Breakdown Voltage $V_{GS} = 0\text{V}$, $I_D = -1\text{mA}$ dc	$V_{(BR)DSS}$	100		Vdc
Gate-Source Voltage (Threshold) $V_{DS} \geq V_{GS}$, $I_D = 1.0\text{mA}$ $V_{DS} \geq V_{GS}$, $I_D = 1.0\text{mA}$, $T_j = +125^\circ\text{C}$ $V_{DS} \geq V_{GS}$, $I_D = 1.0\text{mA}$, $T_j = -55^\circ\text{C}$	$V_{GS(th)1}$ $V_{GS(th)2}$ $V_{GS(th)3}$	1.0 0.5	2.0 3.0	Vdc
Gate Current $V_{GS} = \pm 10\text{V}$, $V_{DS} = 0\text{V}$ $V_{GS} = \pm 10\text{V}$, $V_{DS} = 0\text{V}$, $T_j = +125^\circ\text{C}$	I_{GSS1} I_{GSS2}		± 100 ± 200	nAdc
Drain Current $V_{GS} = 0\text{V}$, $V_{DS} = 80\text{V}$ $V_{GS} = 0\text{V}$, $V_{DS} = 80\text{V}$, $T_j = +125^\circ\text{C}$	I_{DSS1} I_{DSS2}		1.0 50.0	μAdc uAdc
Static Drain-Source On-State Resistance $V_{GS} = 5\text{V}$, $I_D = 1.07\text{A}$ pulsed	$r_{DS(on)1}$		1.4	Ω
$T_j = -125^\circ\text{C}$ $V_{GS} = 5\text{V}$, $I_D = 1.07\text{A}$ pulsed	$r_{DS(on)2}$		2.6	Ω
Diode Forward Voltage $V_{GS} = 0\text{V}$, $I_D = 1.69\text{A}$ pulsed	V_{SD}	0.8	1.6	Vdc

DYNAMIC CHARACTERISTICS

Parameters / Test Conditions	Symbol	Min.	Max.	Unit
Gate Charge:				
On-State Gate Charge	$Q_{g(on)}$		5.0	nC
Gate to Source Charge	Q_{gs}		1.0	
Gate to Drain Charge	Q_{gd}		2.9	

$V_{GS} = 5V, I_D = 1.69A$
 $V_{DS} = 50V$

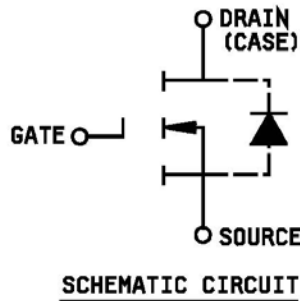
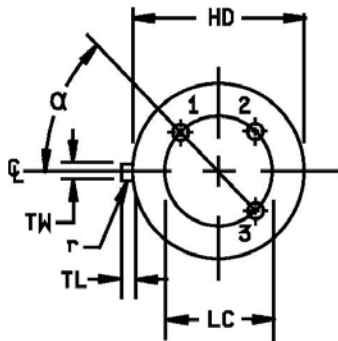
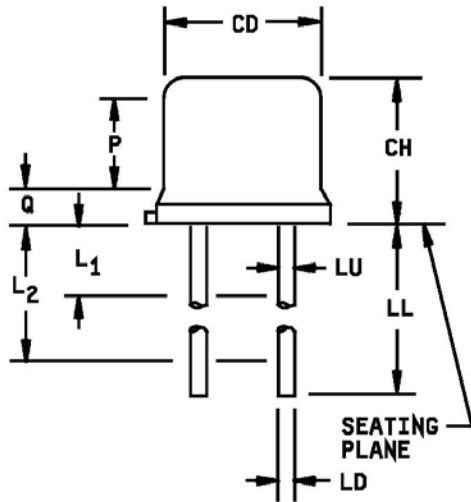
SWITCHING CHARACTERISTICS

Parameters / Test Conditions	Symbol	Min.	Max.	Unit
Switching time tests:				
Turn-on delay time	$t_{d(on)}$		25	ns
Rinse time	t_r		80	
Turn-off delay time	$t_{d(off)}$		45	
Fall time	t_f		80	
Diode Reverse Recovery Time	t_{rr}		250	ns

$I_D = 1.69A, V_{GS} = 5Vdc,$
 Gate drive impedance = $25\Omega,$
 $V_{DD} = 50Vdc$

$di/dt \leq 100A/\mu s, V_{DD} \leq 30V,$
 $I_F = 1.0A$

PACKAGE DIMENSIONS



Symbol	Dimensions				
	Inches		Millimeters		
	Min	Max	Min	Max	
CD	.305	.335	7.75	8.51	
CH	.160	.180	4.07	4.57	
HD	.335	.370	8.51	9.40	
LC	.200 TP		5.08 TP		
LD	.016	.021	0.41	0.53	8,9
LL	.500	.750	12.70	19.05	8,9
LU	.016	.019	0.41	0.48	8,9
L1		.050		1.27	8,9
L2	.250		6.35		8,9
P	.100		2.54		6
Q		.050		1.27	5
TL	.029	.045	0.74	1.14	4
TW	.028	.034	0.71	0.86	3
r		.010		0.25	10
α	45° TP		45° TP		6

NOTE:

- Dimensions are in inches.
- Millimeters are given for general information only.
- Beyond radius(r) maximum, TW shall be held for a minimum length of .011 (0.28 mm).
- Dimension TL measured from maximum HD.
- Outline in this zone is not controlled.
- Dimension CD shall not vary more than .010 (0.25 mm) in zone P. This zone is controlled for automatic handling.
- Leads at gauge plane .054 +.001, -.000 (1.37 +0.03, -0.00 mm) below seating plane shall be within .007 (0.18 mm) radius of true position (TP) at maximum material condition (MMC) relative to tab at MMC.
- LU applies between L1 and L2. LD applies between L2 and LL minimum. Diameter is uncontrolled in L1 and beyond LL minimum.
- All three leads.
- Radius(r) applies to both inside corners of tab.
- Drain is electrically connected to the case.
- Pin out: 1 - source, 2 - gate, 3 - drain (case).
- In accordance with ASME Y14.5M, diameters are equivalent to ϕx symbology.

FIGURE 1. Physical dimensions for TO-205 AF

Looking for pricing, stock, or lifecycle information?

Click below to explore more details on WIN SOURCE:

- ⊖ [View JANTX2N6901 on WIN SOURCE](#)
- ⊖ [Microsemi Corporation](#) Information

Optimize Your Supply Chain with WIN SOURCE Solutions

- ✓ Global Sourcing Solution
- ✓ Obsolete Management
- ✓ Cost Control Management
- ✓ Shortage Management
- ✓ Alternative Solution
- ✓ Excess Inventory Management