



# THE DATASHEET OF LQH5BPB100MT0L



## CHIP COIL (CHIP INDUCTOR) for Consumer equipment & Industrial equipment LQH5BPB□□□□T0□ REFERENCE SPECIFICATION

### 1. Scope

This reference specification applies to chip coil (chip inductor) LQH5BPB\_T0 series.

#### 1.1 Specific applications:

- Power equipment: Products that can be used in power equipment such as renewable energy equipment, energy storage equipment and EV charging equipment and whose functions are not directly related to the protection of human life and property.
- Industrial equipment: Products that can be used in industrial equipment such as base stations, manufacturing equipment, industrial robotics equipment, and measurement equipment, and whose functions do not directly relate to the protection of human life and property.
- Medical equipment (GHTF Class C) \*Except for implant/surgery/auto injector: Products that can be used for medical equipment of Class C of the international classification class GHTF and whose malfunction is considered to pose a relatively high risk to the human body.
- Medical equipment (GHTF Class A and B): Products that can be used for medical equipment regulated by Class A and Class B of the international classification class GHTF and whose functions do not directly relate to the protection of human life and property.
- Consumer equipment: Products that can be used in consumer equipment such as home appliances, audio/visual equipment, communication equipment, information equipment, office equipment, and household robotics, and whose functions are not directly related to the protection of human life and property.

#### 1.2 Unsuitable application:

Applications listed in "Limitation of applications" in this reference specification.

### 2.Part Numbering

|      |            |           |                    |  |          |            |           |                  |  |
|------|------------|-----------|--------------------|--|----------|------------|-----------|------------------|--|
| (ex) | LQ         | H         | 5B                 | P                                      | B        | R47        | N         | T0               | L  |
|      | Product ID | Structure | Dimension<br>(L×W) | Applications<br>and<br>Characteristics | Category | Inductance | Tolerance | Dimension<br>(T) | Packaging<br>L:Taping(φ180mm/reel)<br>K:Taping (φ330mm/reel) |

### 3.Rating

- Operating Temperature Range.
  - (Ambient temperature; Self-temperature rise is not included)      -40 to +105°C
  - (Product temperature; Self- temperature rise is included)      -40 to +125°C
- Storage Temperature Range.      -40 to +125°C

| Customer Part Number | MURATA Part Number | Inductance (μH) | Tolerance (%) | DC Resistance (Ω) | Self Resonant Frequency (MHz min) | *3 Rated Current (A)          |      |                              |      |                           |
|----------------------|--------------------|-----------------|---------------|-------------------|-----------------------------------|-------------------------------|------|------------------------------|------|---------------------------|
|                      |                    |                 |               |                   |                                   | *1 Based on Inductance change |      | *2 Based on Temperature rise |      |                           |
|                      |                    |                 |               |                   |                                   |                               |      | Ambient temperature 85°C     |      | Ambient temperature 105°C |
| Max.                 | Typ.               | Max.            | Typ.          | Max.              |                                   |                               |      |                              |      |                           |
|                      | LQH5BPBR47NT0L     | 0.47            | N:±30         | 0.012±20%         | 220                               | 7.7                           | 10   | 4.0                          | 5.2  | 2.05                      |
|                      | LQH5BPBR47NT0K     |                 |               |                   |                                   |                               |      |                              |      |                           |
|                      | LQH5BPB1R0NT0L     | 1.0             |               | 0.019±20%         | 90                                | 5.8                           | 7.9  | 3.1                          | 4.4  | 1.68                      |
|                      | LQH5BPB1R0NT0K     |                 |               |                   |                                   |                               |      |                              |      |                           |
|                      | LQH5BPB1R2NT0L     | 1.2             |               | 0.019±20%         | 90                                | 5.4                           | 7.0  | 3.1                          | 4.4  | 1.68                      |
|                      | LQH5BPB1R2NT0K     |                 |               |                   |                                   |                               |      |                              |      |                           |
|                      | LQH5BPB1R5NT0L     | 1.5             |               | 0.024±20%         | 70                                | 5.0                           | 6.6  | 3.0                          | 4.2  | 1.63                      |
|                      | LQH5BPB1R5NT0K     |                 |               |                   |                                   |                               |      |                              |      |                           |
|                      | LQH5BPB2R2NT0L     | 2.2             |               | 0.030±20%         | 55                                | 4.0                           | 5.5  | 2.6                          | 3.7  | 1.37                      |
|                      | LQH5BPB2R2NT0K     |                 |               |                   |                                   |                               |      |                              |      |                           |
|                      | LQH5BPB2R7NT0L     | 2.7             |               | 0.035±20%         | 50                                | 3.8                           | 4.9  | 2.5                          | 3.3  | 1.23                      |
|                      | LQH5BPB2R7NT0K     |                 |               |                   |                                   |                               |      |                              |      |                           |
|                      | LQH5BPB3R3NT0L     | 3.3             |               | 0.044±20%         | 40                                | 3.5                           | 4.6  | 2.3                          | 3.1  | 1.21                      |
|                      | LQH5BPB3R3NT0K     |                 |               |                   |                                   |                               |      |                              |      |                           |
|                      | LQH5BPB4R7NT0L     | 4.7             |               | 0.058±20%         | 40                                | 3.0                           | 3.9  | 2.0                          | 2.8  | 1.09                      |
|                      | LQH5BPB4R7NT0K     |                 |               |                   |                                   |                               |      |                              |      |                           |
|                      | LQH5BPB6R8NT0L     | 6.8             | 0.083±20%     | 30                | 2.5                               | 3.1                           | 1.65 | 2.4                          | 0.96 |                           |
|                      | LQH5BPB6R8NT0K     |                 |               |                   |                                   |                               |      |                              |      |                           |
|                      | LQH5BPB100MT0L     | 10              | M:±20         | 0.106±20%         | 25                                | 2.0                           | 2.6  | 1.60                         | 2.2  | 0.87                      |
|                      | LQH5BPB100MT0K     |                 |               |                   |                                   |                               |      |                              |      |                           |
|                      | LQH5BPB150MT0L     | 15              |               | 0.187±20%         | 18                                | 1.6                           | 2.2  | 1.20                         | 1.6  | 0.62                      |
|                      | LQH5BPB150MT0K     |                 |               |                   |                                   |                               |      |                              |      |                           |
|                      | LQH5BPB220MT0L     | 22              |               | 0.259±20%         | 15                                | 1.4                           | 1.9  | 1.05                         | 1.4  | 0.55                      |
|                      | LQH5BPB220MT0K     |                 |               |                   |                                   |                               |      |                              |      |                           |

\*1: When applied Rated current to the Products, Inductance will be within ±30% of nominal Inductance value.

\*2: When applied Rated current to the Products ,temperature rise caused by self-generated heat shall be limited to 40°C max.

\*3: Keep the temperature (ambient temperature plus self-generation of heat) under 125°C.

#### 4. Testing Conditions

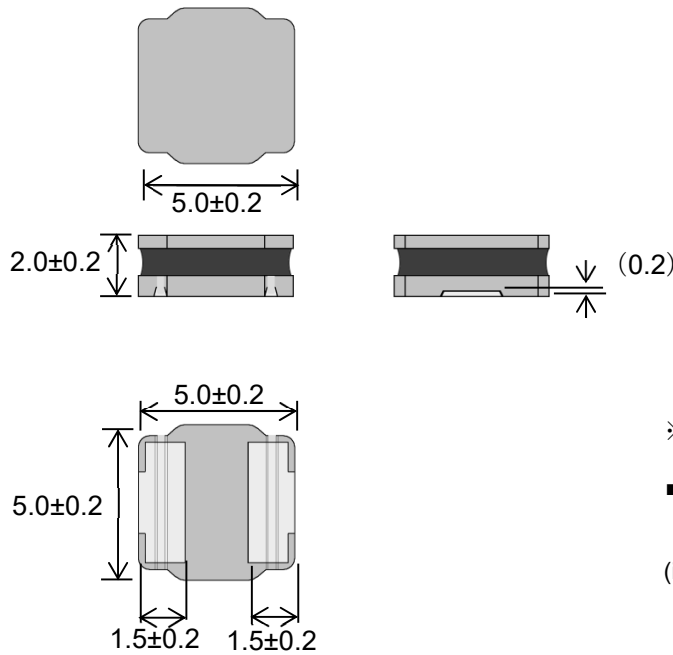
《Unless otherwise specified》

Temperature : Ordinary Temperature (15 to 35°C)  
Humidity : Ordinary Humidity (25 to 85 % (RH))

《In case of doubt》

Temperature : 20 ± 2°C  
Humidity : 60 to 70 % (RH)  
Atmospheric Pressure : 86 to 106 kPa

**5. Appearance and Dimensions**



※No Marking.

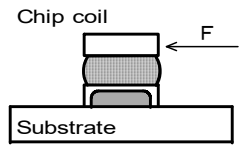
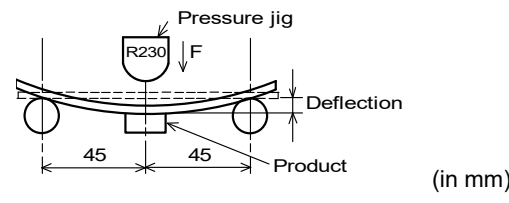
■Unit Mass (Typical value)  
0.22 g

(in mm)

**6. Electrical Performance**

| No. | Item                           | Specification                    | Test Method   |
|-----|--------------------------------|----------------------------------|---|
| 6.1 | Inductance                     | Inductance shall meet item 3.    | Measuring Equipment : KEYSIGHT 4284A or equivalent<br>Measuring Frequency: 100kHz |
| 6.2 | DC Resistance                  | DC Resistance shall meet item 3. | Measuring Equipment: Digital multi meter  |
| 6.3 | Self Resonant Frequency(S.R.F) | S.R.F shall meet item 3.         | Measuring Equipment: KEYSIGHT E4991A or equivalent                                |

## 7.Mechanical Performance

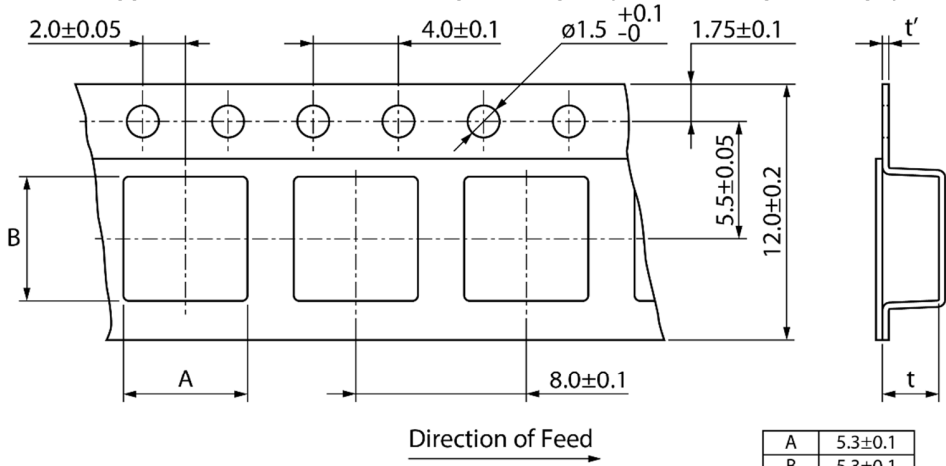
| No. | Item                         | Specification  | Test Method   |
|-----|------------------------------|--|---|
| 7.1 | Shear Test                   | Chip coil shall not be damaged.  | Substrate: Glass-epoxy substrate<br>Applied Direction : <br>Force: 10N<br>Hold Duration: 5±1s  |
| 7.2 | Bending Test                 | Chip coil shall not be damaged.  | Substrate: Glass-epoxy substrate<br>(100×40×1.6mm)<br>Speed of Applying Force: 0.5mm / s<br>Deflection: 2mm<br>Hold Duration: 5seconds.<br>   |
| No. | Item                         | Specification  | Test Method   |
| 7.3 | Vibration                    | Chip coil shall not be damaged.  | Oscillation Frequency: 10~2000~10Hz for 20minutes<br>Total Amplitude: 1.5mm or acceleration amplitude<br>$98\text{m/s}^2$ (The lesser of two values)<br>Testing Time: A period of 2 hours in each of 3 mutually perpendicular directions.<br>(Total 6 hours)  |
| 7.4 | Solderability                | The wetting area of the electrode shall be at least 90% covered with new solder coating. | Flux: Ethanol solution of rosin,25(wt)%<br>(Immersed for 5s to 10s)<br>Solder: Sn-3.0Ag-0.5Cu<br>Pre-Heating: $150\pm 10^\circ\text{C}$ / 60 to 90seconds<br>Solder Temperature: $240\pm 5^\circ\text{C}$<br>Immersion Time: $3\pm 1$ s   |
| 7.5 | Resistance to Soldering Heat | Appearance:No damage<br>Inductance Change: within $\pm 10\%$                             | Flux: Ethanol solution of rosin,25(wt)%<br>(Immersed for 5s to 10s)<br>Solder: Sn-3.0Ag-0.5Cu<br>Pre-Heating: $150\pm 10^\circ\text{C}$ / 60 to 90seconds<br>Solder Temperature: $270\pm 5^\circ\text{C}$<br>Immersion Time: $10\pm 1$ s<br>Then measured after exposure in the room condition for $24\pm 2$ hours. |

**8.Environmental Performance (It shall be soldered on the substrate.)**

| No. | Item              | Specification  | Test Method   |
|-----|-------------------|--|---|
| 8.1 | Heat Resistance   | Appearance:No damage<br>Inductance Change: within $\pm 10\%$<br>DC Resistance Change:<br>within $\pm 10\%$ | Temperature: $105\pm 2^{\circ}\text{C}$<br>Time: 1000h (+48h , -0h)<br>Then measured after exposure in the room condition for $24\pm 2$ hours.  |
| 8.2 | Cold Resistance   |  | Temperature: $-40\pm 2^{\circ}\text{C}$<br>Time: 1000h (+48h , -0h)<br>Then measured after exposure in the room condition for $24\pm 2$ hours.  |
| 8.3 | Humidity          |  | Temperature: $85\pm 2^{\circ}\text{C}$<br>Humidity: 80~85%(RH)<br>Time: 1000h (+48h , -0h)<br>Then measured after exposure in the room condition for $24\pm 2$ hours.   |
| 8.4 | Temperature Cycle |  | 1 cycle:<br>1 step: $-40\pm 2^{\circ}\text{C}$ / $30\pm 3$ minutes<br>2 step: Ordinary temp. / 10 to 15 minutes<br>3 step: $+105\pm 2^{\circ}\text{C}$ / $30\pm 3$ min<br>4 step: Ordinary temp. / 10 to 15 minutes<br>Total of 100 cycles<br>Then measured after exposure in the room condition for $24\pm 2$ hours. |

**9. Specification of Packaging**

**9.1 Appearance and Dimensions of plastic tape (12 mm width/plastic tape)**

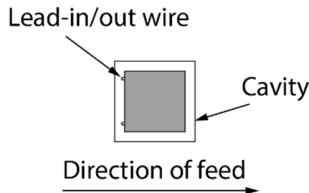


Dimension of the Cavity is measured at the bottom side.

|    |              |
|----|--------------|
| A  | $5.3\pm 0.1$ |
| B  | $5.3\pm 0.1$ |
| t  | $2.4\pm 0.1$ |
| t' | (0.3)        |

(in mm)

■ Top view



### 9.2 Specification of Taping

- (1) Packing quantity (standard quantity)
  - φ180 mm reel : 500 pcs. / reel
  - φ330 mm reel : 3000 pcs. / reel
- (2) Packing Method
 

Products shall be packed in the each embossed cavity of plastic tape and sealed by cover tape.
- (3) Sprocket hole
 

The sprocket holes are to the right as the tape is pulled toward the user.
- (4) Spliced point
 

Plastic tape and Cover tape has no spliced point.
- (5) Missing components number
 

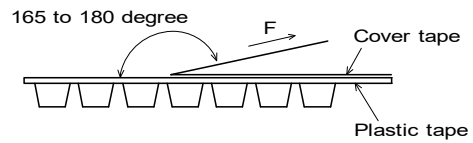
Missing components number within 0.025 % of the number per reel or 1 pc., whichever is greater, and are not continuous. The specified quantity per reel is kept.

### 9.3 Pull Strength

|                       |          |
|-----------------------|----------|
| Embossed carrier tape | 10N min. |
| Cover tape            | 5N min.  |

### 9.4 Peeling off force of cover tape

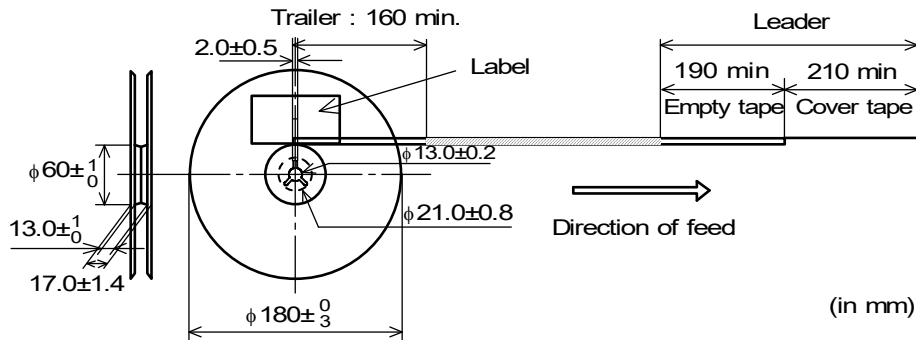
|                      |   |
|----------------------|---|
| Speed of Peeling off | 300mm/min                                 |
| Peeling off force    | 0.2 to 0.7N<br>(minimum value is typical) |



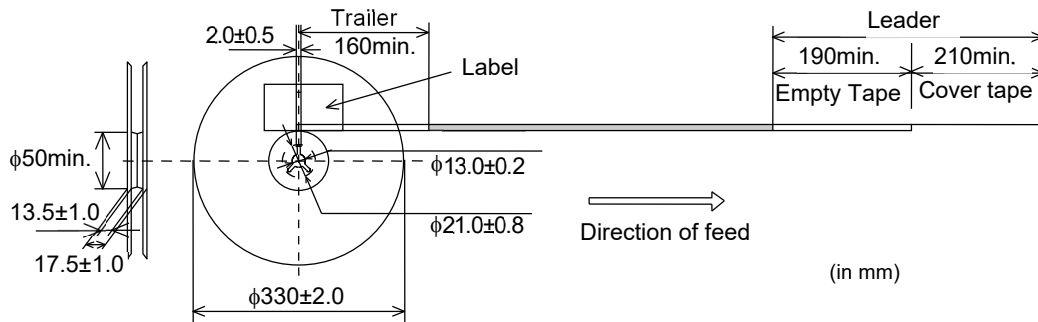
### 9.5 Dimensions of Leader-tape, Trailer and Reel

There shall be leader-tape (cover tape) and trailer-tape (empty tape) as follows.

« Packaging Code : L (φ180mm reel) »



« Packaging Code : K (φ330mm reel) »



### 9.6 Marking for reel

Customer part number, MURATA part number, Inspection number(\*1), RoHS marking(\*2), Quantity etc ...

\*1) <Expression of Inspection No.> □□ OOOO xxx  
(1) (2) (3)

- (1) Factory Code
- (2) Date
  - First digit : Year / Last digit of year
  - Second digit : Month / Jan. to Sep. → 1 to 9, Oct. to Dec. → O, N, D
  - Third, Fourth digit : Day
- (3) Serial No.

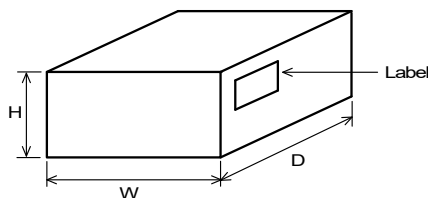
\*2) « Expression of RoHS marking » ROHS – Y (△)  
(1) (2)

- (1) RoHS regulation conformity
- (2) MURATA classification number

### 9.7 Marking for Outside package (corrugated paper box)

Customer name, Purchasing order number, Customer part number, MURATA part number, RoHS marking (\*2), Quantity, etc ...

### 9.8. Specification of Outer Case



| Reel   | Outer Case Dimensions (mm) |     |    | Standard Reel Quantity in Outer Case (Reel) |
|--------|----------------------------|-----|----|---|
|        | W                          | D   | H  |   |
| φ180mm | 186                        | 186 | 93 | 5   |
| φ330mm | 340                        | 340 | 95 | 5   |

\*Above Outer Case size is typical. It depends on a quantity of an order.

## 10. ⚠Caution

### 10.1 Limitation of applications

The products listed in the reference specification (hereinafter the product(s) is called as the “Product(s)”) are designed and manufactured for applications specified in the reference specification (hereinafter called as the “Specific Application”). We shall not warrant anything in connection with the Products including fitness, performance, adequateness, safety, or quality, in the case of applications listed in from (1) to (11) written at the end of this precautions, which may generally require high performance, function, quality, management of production or safety. Therefore, the Product shall be applied in compliance with the specific application.

WE DISCLAIM ANY LOSS AND DAMAGES ARISING FROM OR IN CONNECTION WITH THE PRODUCTS INCLUDING BUT NOT LIMITED TO THE CASE SUCH LOSS AND DAMAGES CAUSED BY THE UNEXPECTED ACCIDENT, IN EVENT THAT (i) THE PRODUCT IS APPLIED FOR THE PURPOSE WHICH IS NOT SPECIFIED AS THE SPECIFIC APPLICATION FOR THE PRODUCT, AND/OR (ii) THE PRODUCT IS APPLIED FOR ANY FOLLOWING APPLICATION PURPOSES FROM (1) TO (11) (EXCEPT THAT SUCH APPLICATION PURPOSE IS UNAMBIGUOUSLY SPECIFIED AS SPECIFIC APPLICATION FOR THE PRODUCT IN OUR CATALOG SPECIFICATION FORMS, DATASHEETS, OR OTHER DOCUMENTS OFFICIALLY ISSUED BY US\*).

- (1) Aircraft equipment
- (2) Aerospace equipment
- (3) Undersea equipment
- (4) Power plant control equipment
- (5) Medical equipment
- (6) Transportation equipment
- (7) Traffic control equipment
- (8) Disaster prevention/security equipment
- (9) Industrial data-processing equipment
- (10) Combustion/explosion control equipment
- (11) Equipment with complexity and/or required reliability equivalent to the applications listed in the above.

For exploring information of the Products which will be compatible with the particular purpose other than those specified in the reference specification, please contact our sales offices, distribution agents, or trading companies with which you make a deal, or via our web contact form.

Contact form: <https://www.murata.com/contactform>

\* We may design and manufacture particular Products for applications listed in (1) to (11). Provided that, in such case we shall unambiguously specify such Specific Application in the reference specification without any exception. Therefore, any other documents and/or performances, whether exist or non-exist, shall not be deemed as the evidence to imply that we accept the applications listed in (1) to (11).

### 10.2 Precautions on rating

Do not use the products in excess of their rated current. Doing so may cause the product to generate heat, resulting in short circuit between wires, wire breakage, or melted solder, which may cause dropping of parts.

### 10.3 Inrush current

If an inrush current (or pulse current or rush current) that significantly exceeds the rated current is applied to the product, overheating could occur, resulting in wire breakage, burning, or other serious fault.

### 10.4 Corrosive gas

Please refrain from use since contact with environments with corrosive gases (sulfur gas [hydrogen sulfide, sulfur dioxide, etc.], chlorine, ammonia, etc.) or oils (cutting oil, silicone oil, etc.) that have come into contact with the previously stated corrosive gas environment will result in deterioration of product quality or an open from deterioration due

## 11. Notice

This product is designed for solder mounting.

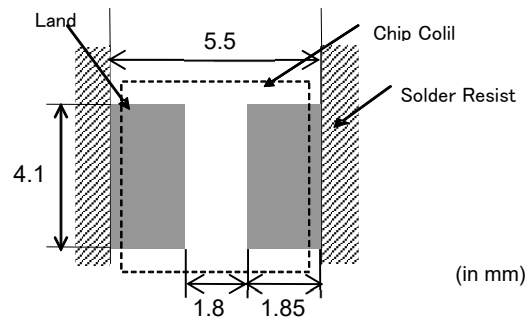
Please consult us in advance for applying other mounting method such as conductive adhesive.

### 11.1 Land pattern designing (Reflow Soldering)

Recommended land patterns for reflow soldering are as follows:

These have been designed for Electric characteristics and solderability.

Please follow the recommended patterns. Otherwise, their performance which includes electrical performance or solderability may be affected, or result to "position shift" in soldering process.



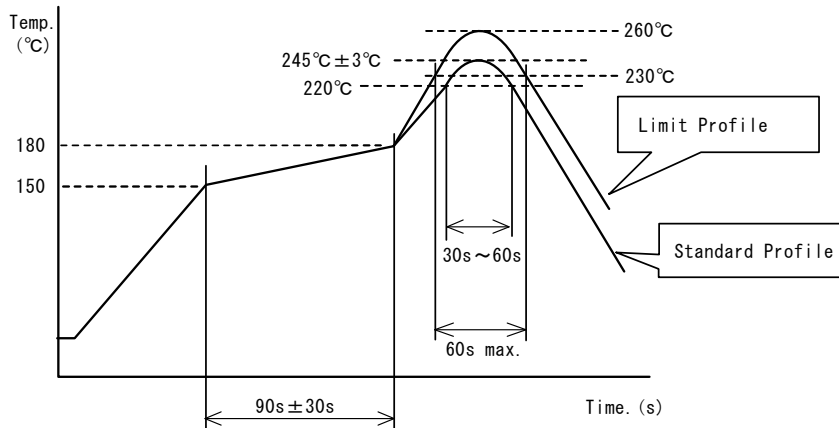
### 11.2 Flux, Solder

|        |  |
|--------|--|
| Flux   | <ul style="list-style-type: none"> <li>• Use rosin-based flux.</li> <li>• Don't use highly acidic flux with halide content exceeding 0.2(wt)% (chlorine conversion value).</li> <li>• Don't use water-soluble flux.</li> </ul> |
| Solder | <ul style="list-style-type: none"> <li>• Use Sn-3.0Ag-0.5Cu solder.</li> <li>• Standard thickness of solder paste : 100μm to 150μm</li> </ul>  |

### 11.3 Soldering conditions (Reflow)

- Pre-heating should be in such a way that the temperature difference between solder and product surface is limited to 100°C max. Cooling into solvent after soldering also should be in such a way that the temperature difference is limited to 100°C max.  
Insufficient pre-heating may cause cracks on the product, resulting in the deterioration of product quality.
- Standard soldering profile and the limit soldering profile is as follows.  
The excessive limit soldering conditions may cause leaching of the electrode and / or resulting in the deterioration of product quality.

#### Reflow soldering profile



|                  | Standard Profile    | Limit Profile        |
|------------------|---------------------|----------------------|
| Pre-heating      | 150~180°C、90s±30s   |                      |
| Heating          | above 220°C、30s~60s | above 230°C、60s max. |
| Peak temperature | 245±3°C             | 260°C,10s            |
| Cycle of reflow  | 2 times             | 2 times              |

### 11.4 Reworking with soldering iron.

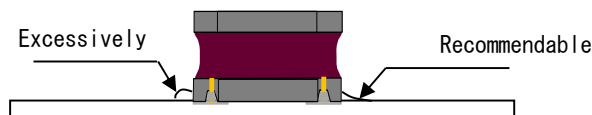
The following conditions must be strictly followed when using a soldering iron.

|                       |              |
|-----------------------|--------------|
| Pre-heating           | 150°C, 1 min |
| Tip temperature       | 380°C max.   |
| Soldering iron output | 80W max.     |
| Tip diameter          | φ 3mm max.   |
| Soldering time        | 3(+1,-0)s    |
| Times                 | 2 times      |

Note : Do not directly touch the products with the tip of the soldering iron in order to prevent the crack on the products due to the thermal shock.

### 11.5 Solder Volume

- Solder shall be used not to be exceeded the upper limits as shown below.
- Accordingly increasing the solder volume, the mechanical stress to Chip is also increased. Exceeding solder volume may cause the failure of mechanical or electrical performance.

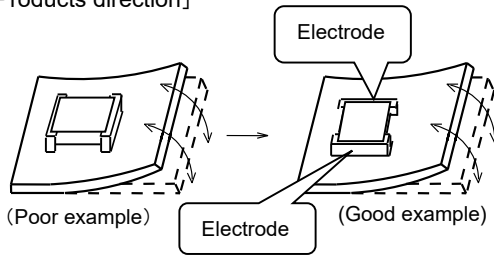


**11.6 Product's location**

The following shall be considered when designing and laying out P.C.B.'s.

- (1) P.C.B. shall be designed so that products are not subject to the mechanical stress due to warping the board.

[Products direction]

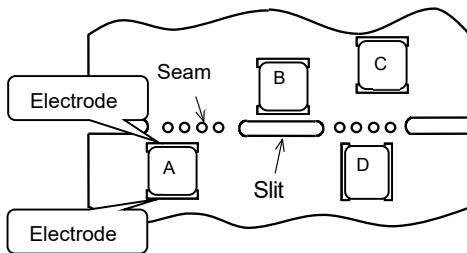


Products shall be located in the sideways direction to the mechanical stress.

- (2) Components location on P.C.B. separation.

It is effective to implement the following measures, to reduce stress in separating the board. It is best to implement all of the following three measures; however, implement as many measures as possible to reduce stress.

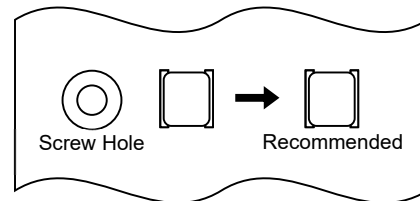
| Contents of Measures   | Stress Level |
|--|--------------|
| (1) Turn the mounting direction of the component parallel to the board separation surface. | A > D *1     |
| (2) Add slits in the board separation part.  | A > B        |
| (3) Keep the mounting position of the component away from the board separation surface.    | A > C        |



\*1 A > D is valid when stress is added vertically to the perforation as with Hand Separation. If a Cutting Disc is used, stress will be diagonal to the PCB, therefore A > D is invalid.

- (3) Mounting Components Near Screw Holes

When a component is mounted near a screw hole, it may be affected by the board deflection that occurs during the tightening of the screw. Mount the component in a position as far away from the screw holes as possible.



**11.7 Cleaning Conditions**

Products shall be cleaned on the following conditions.

- (1) Cleaning temperature shall be limited to 60°C max.(40°C max for IPA.)
- (2) Ultrasonic cleaning shall comply with the following conditions with avoiding the resonance phenomenon at the mounted products and P.C.B.  
Power : 20 W / l max.    Frequency : 28kHz to 40kHz    Time : 5 minutes max.

- (3) Cleaner

Alcohol-based cleaner: IPA  
Aqueous agent: PINE ALPHA ST-100S

- (4) There shall be no residual flux and residual cleaner after cleaning.  
In the case of using aqueous agent, products shall be dried completely after rinse with de-ionized water in order to remove the cleaner.

- (5) Other cleaning

Please contact us.

**11.8 Resin coating**

The inductance value may change due to high cure-stress of resin to be used for coating/molding products. An open circuit issue may occur by mechanical stress caused by the resin, amount/cured shape of resin, or operating condition etc. Some resin contains some impurities or chloride possible to generate chlorine by hydrolysis under some operating condition may cause corrosion of wire of coil, leading to open circuit. So, please pay your careful attention when you select resin in case of coating/molding the products with the resin. Prior to use the coating resin, please make sure no reliability issue is observed by evaluating products mounted on your board.

**11.9 Caution for use**

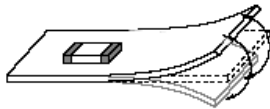
- Sharp material such as a pair of tweezers or other material such as bristles of cleaning brush, shall not be touched to the winding portion to prevent the breaking of wire.
- Mechanical shock should not be applied to the products mounted on the board to prevent the breaking of the core

**11.10 Handling of a substrate**

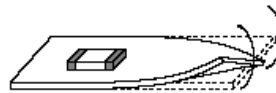
After mounting products on a substrate, do not apply any stress to the product caused by bending or twisting to the substrate when cropping the substrate, inserting and removing a connector from the substrate or tightening screw to the substrate.

Excessive mechanical stress may cause cracking in the product.

Bending



Twisting

**11.11 Storage and Handling Requirements**

## (1) Storage period

Use the products within 12 months after delivered.

Solderability should be checked if this period is exceeded.

## (2) Storage conditions

- Products should be stored in the warehouse on the following conditions.

Temperature : -10 ~ 40°C

Humidity : 15 to 85% relative humidity No rapid change on temperature and humidity

- The electrode of the products is coated with solder. Don't keep products in corrosive gases such as sulfur, chlorine gas or acid, or it may cause oxidization of electrode, resulting in poor solderability.
- Products should not be stored on bulk packaging condition to prevent the chipping of the core and the breaking of winding wire caused by the collision between the products.
- Products should be stored on the palette for the prevention of the influence from humidity, dust and so on.
- Products should be stored in the warehouse without heat shock, vibration, direct sunlight and so on.

## (3) Handling Condition

Care should be taken when transporting or handling product to avoid excessive vibration or mechanical shock.

**12. ⚠ Note**

- (1) Please make sure that your product has been evaluated in view of your specifications with our product being mounted to your product.
- (2) You are requested not to use our product deviating from the agreed specifications.
- (3) The contents of this reference specification are subject to change without advance notice. Please approve our product specifications or transact the approval sheet for product specifications before ordering.

## Looking for pricing, stock, or lifecycle information?

Click below to explore more details on WIN SOURCE:

- ⊖ [View LQH5BPB100MT0L on WIN SOURCE](#)
- ⊖ [Murata Electronics North America Information](#)

## Optimize Your Supply Chain with WIN SOURCE Solutions

- ✓ Global Sourcing Solution
- ✓ Obsolete Management
- ✓ Cost Control Management
- ✓ Shortage Management
- ✓ Alternative Solution
- ✓ Excess Inventory Management