



THE DATASHEET OF MAX4668ESE



MAXIM

2.5Ω, Dual, SPST, CMOS Analog Switches

MAX4667/MAX4668/MAX4669

General Description

The MAX4667/MAX4668/MAX4669 dual analog switches feature low on-resistance of 2.5Ω max. On-resistance is matched between switches to 0.5Ω max and is flat (0.5Ω max) over the specified signal range. Each switch can handle Rail-to-Rail® analog signals. The off-leakage current is only 5nA max at +85°C. These analog switches are ideal in low-distortion applications and are the preferred solution over mechanical relays in automatic test equipment or applications where current switching is required. They have low power requirements, use less board space, and are more reliable than mechanical relays.

The MAX4667 has two normally closed (NC) switches, the MAX4668 has two normally open (NO) switches, and the MAX4669 has one NC and one NO switch that guarantee break-before-make operation.

These switches operate from a +4.5V to +36V single supply or from ±4.5V to ±20V dual supplies. All digital inputs have +0.8V and +2.4V logic thresholds, ensuring TTL/CMOS-logic compatibility when using ±15V supplies or a single +12V supply.

Applications

Reed Relay Replacement	PBX, PABX Systems
Test Equipment	Audio-Signal Routing
Communication Systems	Avionics

Features

- ◆ Low On-Resistance (2.5Ω max)
- ◆ Guaranteed R_{ON} Match Between Channels (0.5Ω max)
- ◆ Guaranteed R_{ON} Flatness over Specified Signal Range (0.5Ω max)
- ◆ Guaranteed Break-Before-Make (MAX4669)
- ◆ Rail-to-Rail Signal Handling
- ◆ Guaranteed ESD Protection >2kV per Method 3015.7
- ◆ +4.5V to +36V Single-Supply Operation
±4.5V to ±20V Dual-Supply Operation
- ◆ TTL/CMOS-Compatible Control Inputs

Ordering Information

PART	TEMP. RANGE	PIN-PACKAGE
MAX4667CSE	0°C to +70°C	16 Narrow SO
MAX4667CPE	0°C to +70°C	16 Plastic DIP
MAX4667ESE	-40°C to +85°C	16 Narrow SO
MAX4667EPE	-40°C to +85°C	16 Plastic DIP

Ordering Information continued at end of data sheet.

Pin Configurations/Functional Diagrams/Truth Tables

TOP VIEW

MAX4667

LOGIC	SWITCH
0	ON
1	OFF

MAX4668

LOGIC	SWITCH
0	OFF
1	ON

MAX4669

LOGIC	SWITCH 1	SWITCH 2
0	OFF	ON
1	ON	OFF

Rail-to-Rail is a registered trademark of Nippon Motorola, Ltd.



2.5Ω, Dual, SPST, CMOS Analog Switches

ABSOLUTE MAXIMUM RATINGS

V+ to GND	-0.3V to +44V
V- to GND	+0.3V to -44V
V+ to V-	-0.3V to +44V
V _L to GND	(GND - 0.3V) to (V+ + 0.3V)
All Other Pins to GND (Note 1)	(V- - 0.3V) to (V+ + 0.3V)
Continuous Current (COM ₋ , NO ₋ , NC ₋)	±100mA
Peak Current (COM ₋ , NO ₋ , NC ₋) (pulsed at 1ms, 10% duty cycle)	±300mA

Continuous Power Dissipation (T _A = +70°C)	
Narrow SO (derate 8.70mW/°C above +70°C)	696mW
Plastic DIP (derate 10.53mW/°C above +70°C)	842mW
Operating Temperature Ranges	
MAX466_C_E	0°C to +70°C
MAX466_E_E	-40°C to +85 °C
Storage Temperature Range	-65°C to +150°C
Lead Temperature (soldering, 10sec)	+300°C

Note 1: Signals on NC₋, NO₋, COM₋, or IN₋ exceeding V+ or V- will be clamped by internal diodes. Limit the forward diode current to maximum current rating.

Stresses beyond those listed under "Absolute Maximum Ratings" may cause permanent damage to the device. These are stress ratings only, and functional operation of the device at these or any other conditions beyond those indicated in the operational sections of the specifications is not implied. Exposure to absolute maximum rating conditions for extended periods may affect device reliability.

ELECTRICAL CHARACTERISTICS—Dual Supplies

(V+ = +15V, V- = -15V, V_L = +5V, V_{IN_H} = +2.4V, V_{IN_L} = +0.8V, T_A = T_{MIN} to T_{MAX}, unless otherwise noted. Typical values are at T_A = +25°C.) (Note 2)

PARAMETER	SYMBOL	CONDITIONS	MIN	TYP	MAX	UNITS
ANALOG SWITCH						
Input Voltage Range (Note 3)	V _{COM₋} , V _{NO₋} , V _{NC₋}		V-		V+	V
COM ₋ to NO ₋ , COM ₋ to NC ₋ On-Resistance	R _{ON}	I _{COM₋} = 10mA, V _{NO₋} or V _{NC₋} = ±10V	T _A = +25°C	1.6	2.5	Ω
			T _A = T _{MIN} to T _{MAX}		3	
COM ₋ to NO ₋ , COM ₋ to NC ₋ On-Resistance Match Between Channels (Notes 3, 4)	ΔR _{ON}	I _{COM₋} = 10mA; V _{NO₋} or V _{NC₋} = -5V, 0, 5V	T _A = +25°C	0.05	0.4	Ω
			T _A = T _{MIN} to T _{MAX}		0.5	
COM ₋ to NO ₋ , COM ₋ to NC ₋ On-Resistance Flatness (Notes 3, 5)	R _{FLAT(ON)}	I _{COM₋} = 10mA, V _{NO₋} or V _{NC₋} = ±10V	T _A = +25°C	0.1	0.4	Ω
			T _A = T _{MIN} to T _{MAX}		0.5	
Off-Leakage Current (NO ₋ or NC ₋) (Note 6)	I _{NO₋} , I _{NC₋}	V _{COM₋} = ±10V, V _{NO₋} or V _{NC₋} = ∓10V	T _A = +25°C	-0.5	0.01	nA
			T _A = T _{MIN} to T _{MAX}	-5	5	
COM ₋ Off-Leakage Current (Note 6)	I _{COM₋(OFF)}	V _{COM₋} = ±10V, V _{NO₋} or V _{NC₋} = ∓10V	T _A = +25°C	-0.5	0.01	nA
			T _A = T _{MIN} to T _{MAX}	-5	5	
COM ₋ On-Leakage Current (Note 6)	I _{COM₋(ON)}	V _{COM₋} = ±10V, V _{NO₋} or V _{NC₋} = ±10V or floating	T _A = +25°C	-1	0.02	nA
			T _A = T _{MIN} to T _{MAX}	-20	20	
LOGIC INPUT						
Input Current with Input Voltage High	I _{IN_H}	IN ₋ = 2.4V, all others = 0.8V	-0.5	0.001	0.5	μA
Input Current with Input Voltage Low	I _{IN_L}	IN ₋ = 0.8V, all others = 2.4V	-0.5	0.001	0.5	μA
Logic Input Voltage High	V _{IN_H}		2.4			V
Logic Input Voltage Low	V _{IN_L}				0.8	V

2.5Ω, Dual, SPST, CMOS Analog Switches

MAX4667/MAX4668/MAX4669

ELECTRICAL CHARACTERISTICS—Dual Supplies (continued)

(V+ = +15V, V- = -15V, VL = +5V, VIN_H = +2.4V, VIN_L = +0.8V, TA = TMIN to TMAX, unless otherwise noted. Typical values are at TA = +25°C.) (Note 2)

PARAMETER	SYMBOL	CONDITIONS	MIN	TYP	MAX	UNITS	
POWER SUPPLY							
Power-Supply Range			±4.5		±20.0	V	
Positive Supply Current	I+	VIN = 0 or 5V	TA = +25°C	-0.5	0.001	0.5	μA
			TA = TMIN to TMAX	5		5	
Negative Supply Current	I-	VIN = 0 or 5V	TA = +25°C	-0.5	0.001	0.5	μA
			TA = TMIN to TMAX	5		5	
Logic Supply Current	IL	VIN = 0 or 5V	TA = +25°C	-0.5	0.001	0.5	μA
			TA = TMIN to TMAX	5		5	
Ground Current	IGND	VIN = 0 or 5V	TA = +25°C	-0.5	0.001	0.5	μA
			TA = TMIN to TMAX	5		5	
SWITCH DYNAMIC CHARACTERISTICS							
Turn-On Time	tON	VCOM_ = ±10V, Figure 2	TA = +25°C	130	275	ns	
			TA = TMIN to TMAX		400		
Turn-Off Time	tOFF	VCOM_ = ±10V, Figure 2	TA = +25°C	90	175	ns	
			TA = TMIN to TMAX		300		
Break-Before-Make Time Delay (MAX4669)		VCOM = 10V	5	30		ns	
Charge Injection	Q	CL = 1.0nF, VGEN = 0, RGEN = 0, Figure 3		450		pC	
Off-Isolation (Note 7)	VISO	RL = 50Ω, CL = 5pF, f = 1MHz, Figure 4		-60		dB	
Crosstalk (Note 8)	VCT	RL = 50Ω, CL = 5pF, f = 1MHz, Figure 5		-66		dB	
NC_ or NO_ Capacitance	COFF	f = 1MHz, Figure 6		65		pF	
COM_ Off-Capacitance	CCOM	f = 1MHz, Figure 6		65		pF	
On-Capacitance	CCOM	f = 1MHz, Figure 7		290		pF	

2.5Ω, Dual, SPST, CMOS Analog Switches

ELECTRICAL CHARACTERISTICS—Single Supply

(V+ = +12V, V- = 0, VL = +5V, VIN_H = +2.4V, VIN_L = +0.8V, TA = TMIN to TMAX, unless otherwise noted. Typical values are at TA = +25°C.) (Note 2)

PARAMETER	SYMBOL	CONDITIONS		MIN	TYP	MAX	UNITS
ANALOG SWITCH							
Input Voltage Range (Note 3)	VCOM_, VNO_, VNC_			0		V+	V
COM_ to NO_, COM_ to NC_ On-Resistance	RON	I _{COM_} = 10mA; VNO_ or VNC_ = 10V	TA = +25°C TA = TMIN to TMAX		3 4	4 5	Ω
COM_ to NO_, COM_ to NC_ On-Resistance Match Between Channels (Notes 3, 4)	ΔRON	I _{COM_} = 10mA; VNO_ or VNC_ = 10V	TA = +25°C TA = TMIN to TMAX		0.05	0.4 0.5	Ω
COM_ to NO_, COM_ to NC_ On-Resistance Flatness (Note 5)	R _{FLAT(ON)}	I _{COM_} = 10mA; VNO_ or VNC_ = 3V, 6V, 0V	TA = +25°C TA = TMIN to TMAX		0.05	0.5 0.5	Ω
Off-Leakage Current (NO_ or NC_) (Notes 6, 9)	I _{NO_} , I _{NC_}	VCOM_ = 1V, 10V; VNO_ or VNC_ = 1V, 10V	TA = +25°C TA = TMIN to TMAX	-0.5 -5	0.01	0.5 5	nA
COM Off-Leakage Current (Notes 6, 9)	I _{COM(OFF)}	VCOM_ = 10V, 1V; VNO_ or VNC_ = 1V, 10V	TA = +25°C TA = TMIN to TMAX	-0.5 -5	0.01	0.5 5	nA
COM On-Leakage Current (Notes 6, 9)	I _{COM(ON)}	VCOM_ = 1V, 10V; VNO_ or VNC_ = 1V, 10V, or floating	TA = +25°C TA = TMIN to TMAX	-1 -20	0.01	1 20	nA
LOGIC INPUT							
Input Current with Input Voltage High	I _{IN_H}	IN_ = 2.4V, all others = 0.8V		-0.5	0.001	0.5	μA
Input Current with Input Voltage Low	I _{IN_L}	IN_ = 0.8V, all others = 2.4V		-0.5	0.001	0.5	μA
Logic Input Voltage High	V _{IN_H}			2.4			V
Logic Input Voltage Low	V _{IN_L}					0.8	V

2.5Ω, Dual, SPST, CMOS Analog Switches

MAX4667/MAX4668/MAX4669

ELECTRICAL CHARACTERISTICS—Single Supply (continued)

(V+ = +12V, V- = 0, VL = +5V, VIN_H = +2.4V, VIN_L = +0.8V, TA = TMIN to TMAX, unless otherwise noted. Typical values are at TA = +25°C.) (Note 2)

PARAMETER	SYMBOL	CONDITIONS		MIN	TYP	MAX	UNITS
POWER SUPPLY							
Power-Supply Range				4.5		36.0	V
Positive Supply Current	I+	VIN = 0 or 5V	TA = +25°C	-0.5	0.001	0.5	μA
			TA = TMIN to TMAX	-5		5	
Logic Supply Current	IL	VIN = 0 or 5V	TA = +25°C	-0.5	0.001	0.5	μA
			TA = TMIN to TMAX	-5		5	
Ground Current	IGND	VIN = 0 or 5V	TA = +25°C	-0.5	0.001	0.5	μA
			TA = TMIN to TMAX	-5		5	
SWITCH DYNAMIC CHARACTERISTICS							
Turn-On Time (Note 3)	tON	VCOM_ = 10V, Figure 2	TA = +25°C		200	400	ns
			TA = TMIN to TMAX			500	
Turn-Off Time (Note 3)	tOFF	VCOM_ = 10V, Figure 2	TA = +25°C		100	200	ns
			TA = TMIN to TMAX			300	
Break-Before-Make Time Delay (MAX4669)		VCOM = 10V		10			ns
Charge Injection	Q	CL = 1.0nF, VGEN = 0, RGEN = 0, Figure 3			50		pC
Crosstalk (Note 8)	VCT	RL = 50Ω, CL = 5pF, f = 1MHz, Figure 5			-66		dB
NC or NO Capacitance	C _{OFF}	f = 1MHz, Figure 6, TA = +25°C			105		pF
COM Off-Capacitance	C _{COM}	f = 1MHz, Figure 6, TA = +25°C			105		pF
On-Capacitance	C _{COM}	f = 1MHz, Figure 7, TA = +25°C			185		pF

Note 2: The algebraic convention, where the most negative value is a minimum and the most positive value a maximum, is used in this data sheet.

Note 3: Guaranteed by design.

Note 4: $\Delta R_{ON} = R_{ON(MAX)} - R_{ON(MIN)}$.

Note 5: Flatness is defined as the difference between the maximum and minimum values of on-resistance as measured over the specified analog signal range.

Note 6: Leakage parameters are 100% tested at maximum-rated hot temperature and guaranteed by correlation at +25°C.

Note 7: Off-isolation = $20\log_{10} [V_{COM} / (V_{NC} \text{ or } V_{NO})]$, VCOM = output, VNC or VNO = input to off switch.

Note 8: Between any two switches.

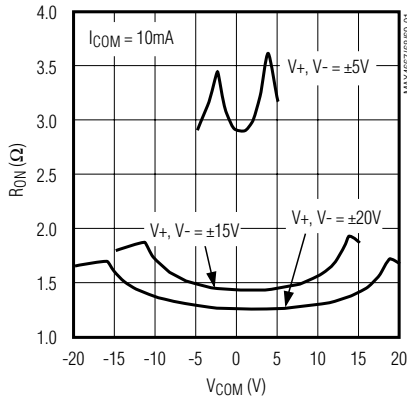
Note 9: Leakage testing at single supply is guaranteed by testing with dual supplies.

2.5Ω, Dual, SPST, CMOS Analog Switches

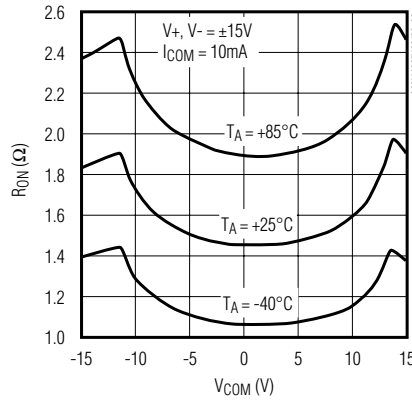
Typical Operating Characteristics

($T_A = +25^\circ\text{C}$, unless otherwise noted.)

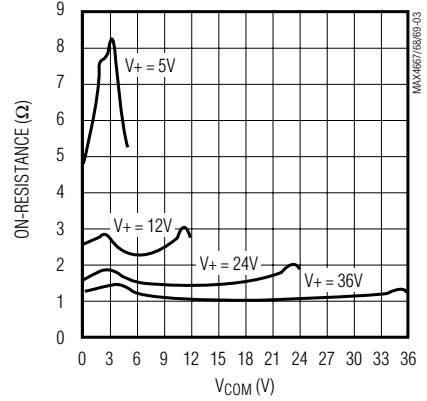
ON-RESISTANCE vs. V_{COM} (DUAL SUPPLIES)



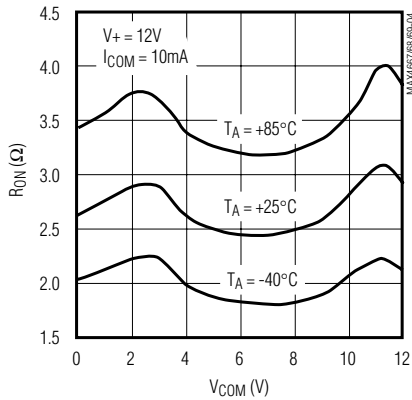
ON-RESISTANCE vs. V_{COM} AND TEMPERATURE (DUAL SUPPLIES)



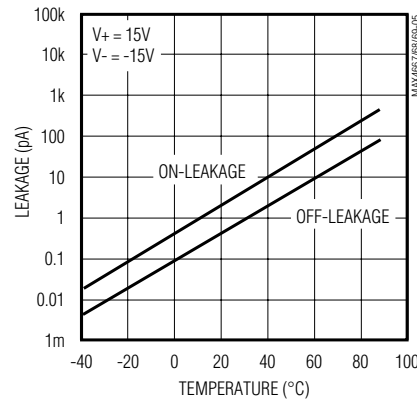
ON-RESISTANCE vs. V_{COM} (SINGLE SUPPLY)



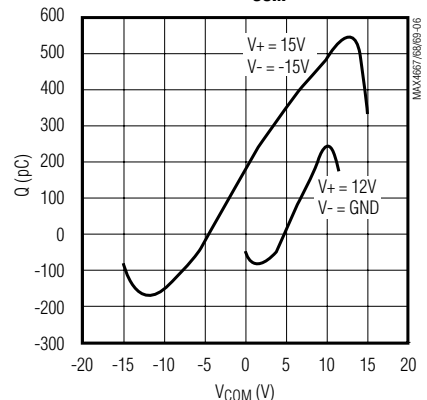
ON-RESISTANCE vs. V_{COM} AND TEMPERATURE (SINGLE SUPPLY)



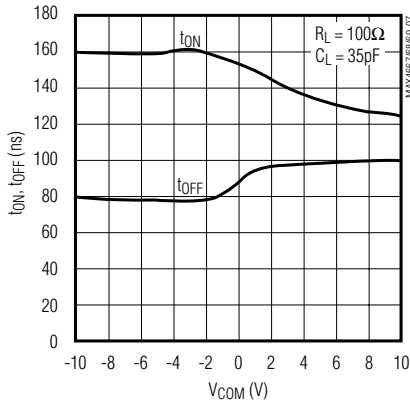
ON/OFF-LEAKAGE CURRENT vs. TEMPERATURE



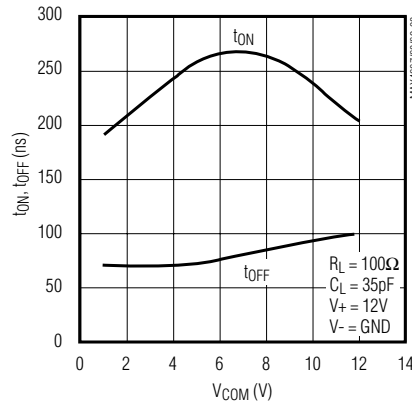
CHARGE INJECTION vs. V_{COM}



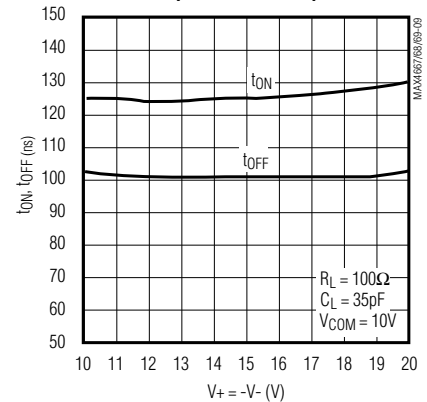
ON/OFF TIMES vs. V_{COM} (DUAL SUPPLIES)



ON/OFF TIMES vs. V_{COM} (SINGLE SUPPLY)



ON/OFF TIMES vs. SUPPLY VOLTAGE (DUAL SUPPLIES)



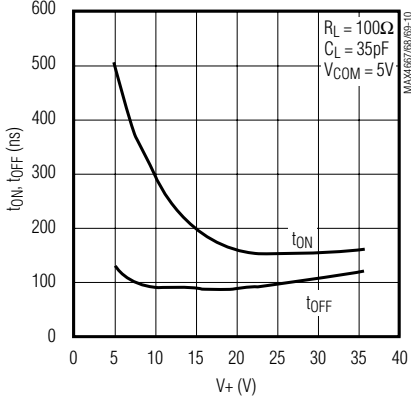
2.5Ω, Dual, SPST, CMOS Analog Switches

Typical Operating Characteristics (continued)

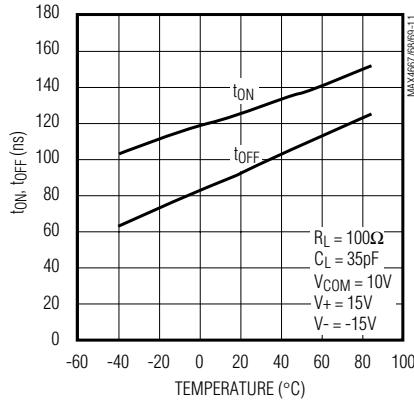
($T_A = +25^\circ\text{C}$, unless otherwise noted.)

MAX4667/MAX4668/MAX4669

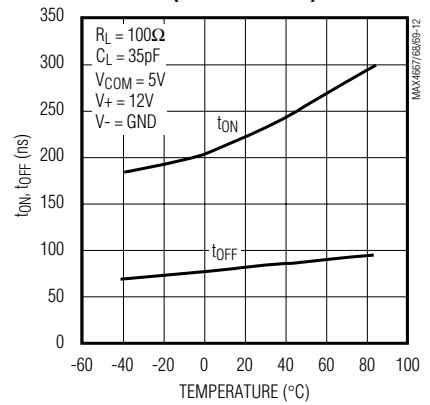
ON/OFF TIMES vs. SUPPLY VOLTAGE (SINGLE SUPPLY)



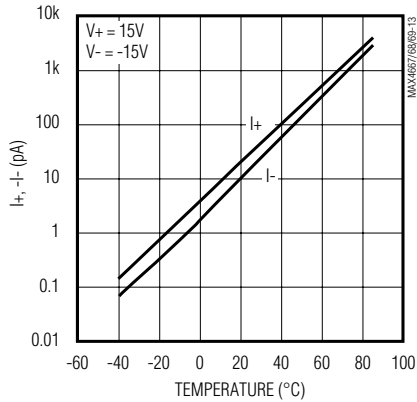
ON/OFF TIMES vs. TEMPERATURE (DUAL SUPPLIES)



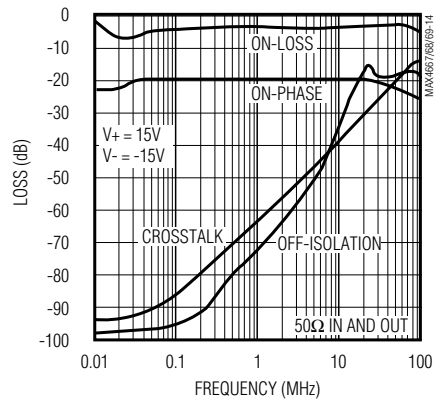
ON/OFF TIMES vs. TEMPERATURE (SINGLE SUPPLY)



SUPPLY CURRENT vs. TEMPERATURE



FREQUENCY RESPONSE



2.5Ω, Dual, SPST, CMOS Analog Switches

Pin Description

PIN			NAME	FUNCTION
MAX4667	MAX4668	MAX4669		
1, 3, 6, 8, 10, 15	1, 3, 6, 8, 10, 15	1, 3, 6, 8, 10, 15	N.C.	No Connection. Not internally connected. Connect to GND as low impedance to improve on/off-isolation.
2, 7	2, 7	2, 7	IN2, IN2	Logic-Control Digital Inputs
4	4	4	V-	Negative Analog Supply Voltage Input. Connect to GND for single-supply operation.
5	5	5	GND	Ground
12	12	12	V _L	Logic Supply Input
13	13	13	V+	Positive Analog Supply Voltage Input
14, 11	14, 11	14, 11	COM1, COM2	Analog Switch, Common Terminals
16, 9	—	—	NC1, NC2	Analog Switch, Normally Closed Terminals
—	16, 9	—	NO1, NO2	Analog Switch, Normally Open Terminals
—	—	9	NC1	Analog Switch, Normally Closed Terminal
—	—	16	NO1	Analog Switch, Normally Open Terminal

Applications Information

Overvoltage Protection

Proper power-supply sequencing is recommended for all CMOS devices. Do not exceed the absolute maximum ratings because stresses beyond the listed ratings can cause permanent damage to the devices. Always sequence V₊ on first, then V₋, followed by the logic inputs, NO, or COM. If power-supply sequencing is not possible, add two small signal diodes (D1, D2) in series with supply pins (Figure 1). Adding diodes reduces the analog signal range to one diode drop below V₊ and one diode drop above V₋, but does not affect the devices' low switch resistance and low leakage characteristics. Device operation is unchanged, and the difference between V₊ and V₋ should not exceed 44V. These protection diodes are not recommended when using a single supply.

Off-Isolation at High Frequencies

With the N.C. pins connected to GND, the high-frequency on-response of these parts extends from DC to above 100MHz with a typical loss of -2dB. When the switch is turned off, however, it behaves like a capacitor, and off-isolation decreases with increasing frequency. (Above 300MHz, the switch actually passes more signal turned off than turned on.) This effect is more pronounced with higher source and load impedances.

Above 5MHz, circuit-board layout becomes critical and it becomes difficult to characterize the response of the switch independent of the circuit. The graphs shown in the *Typical Operating Characteristics* were taken using a 50Ω source and load connected with BNC connectors to a circuit board deemed "average"; that is, designed with isolation in mind, but not using stripline or other special RF circuit techniques. For critical applications above 5MHz, use the MAX440, MAX441, and MAX442, which are fully characterized up to 160MHz.

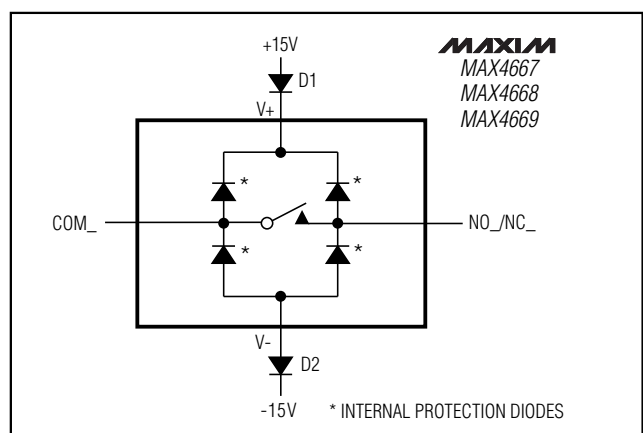


Figure 1. Overvoltage Protection Using External Blocking Diodes

2.5Ω, Dual, SPST, CMOS Analog Switches

Test Circuits/Timing Diagrams

MAX4667/MAX4668/MAX4669

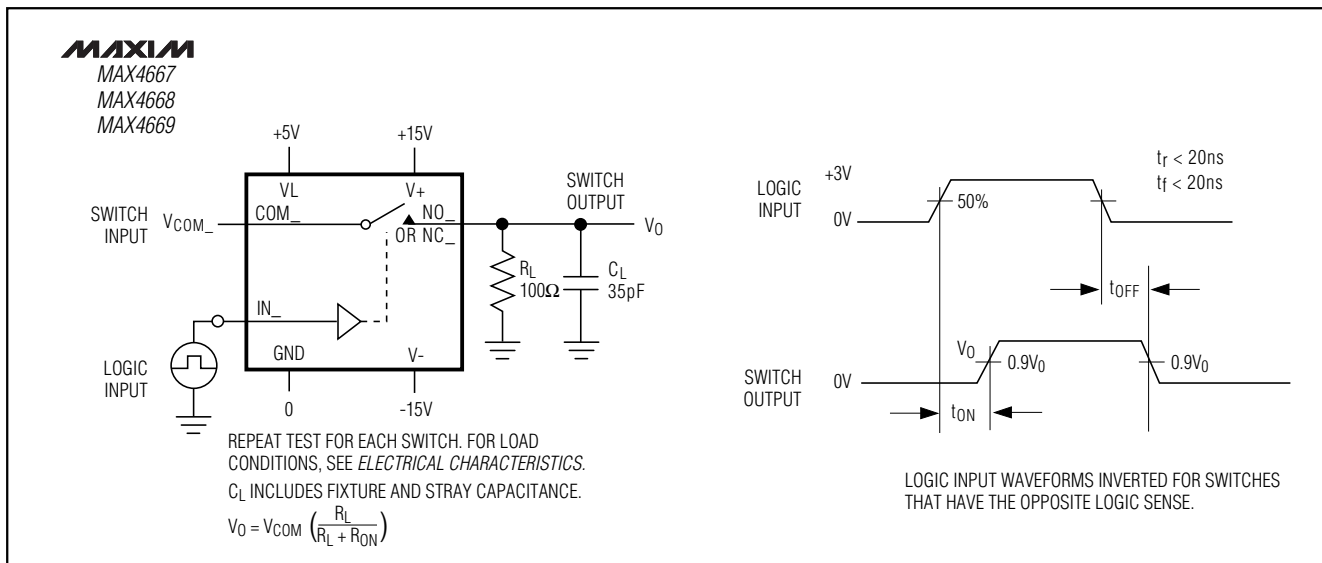


Figure 2. Switching-Time Test Circuit

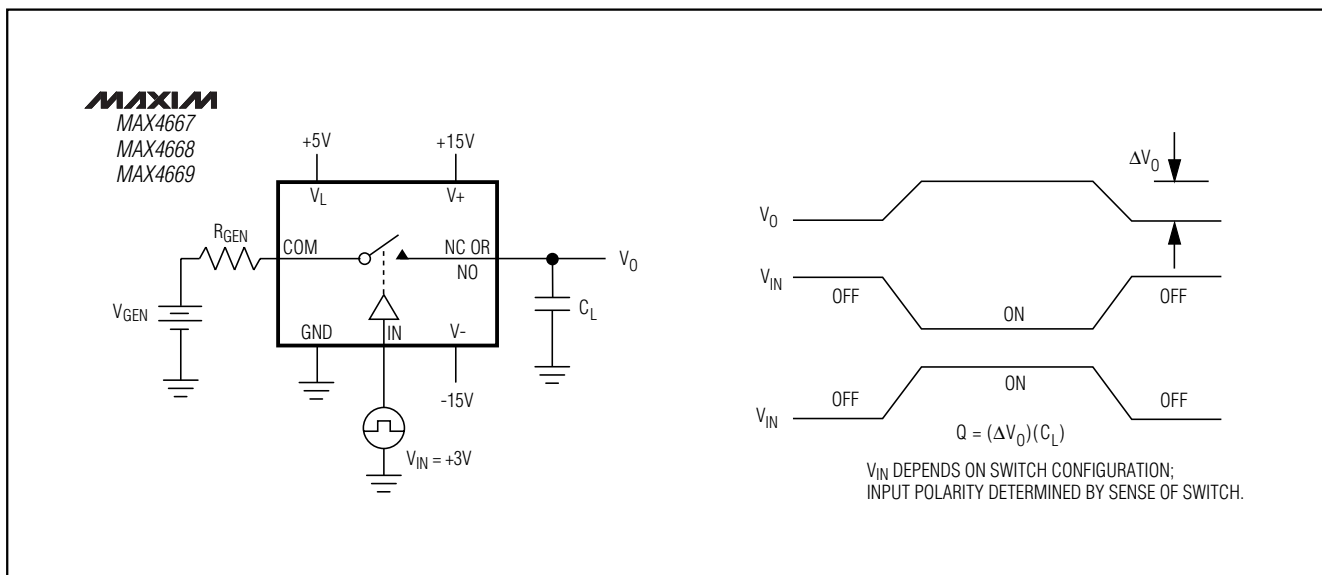


Figure 3. Charge-Injection Test Circuit

2.5Ω, Dual, SPST, CMOS Analog Switches

Test Circuits/Timing Diagrams (continued)

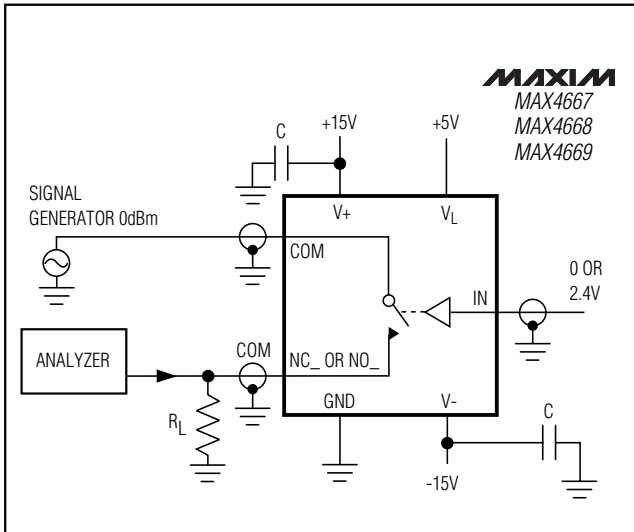


Figure 4. Off-Isolation Test Circuit

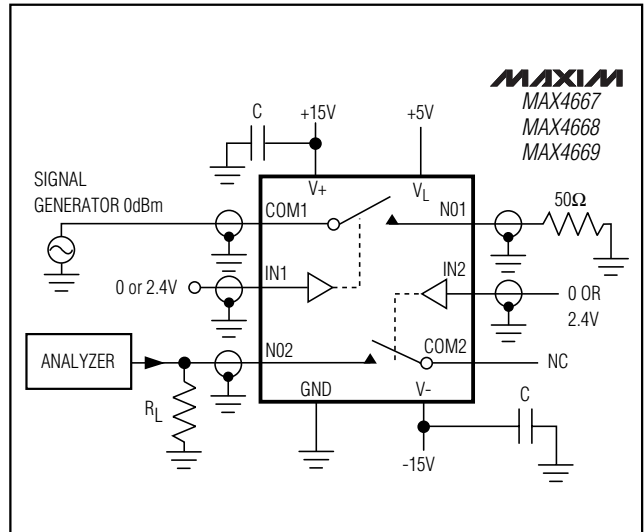


Figure 5. Crosstalk Test Circuit

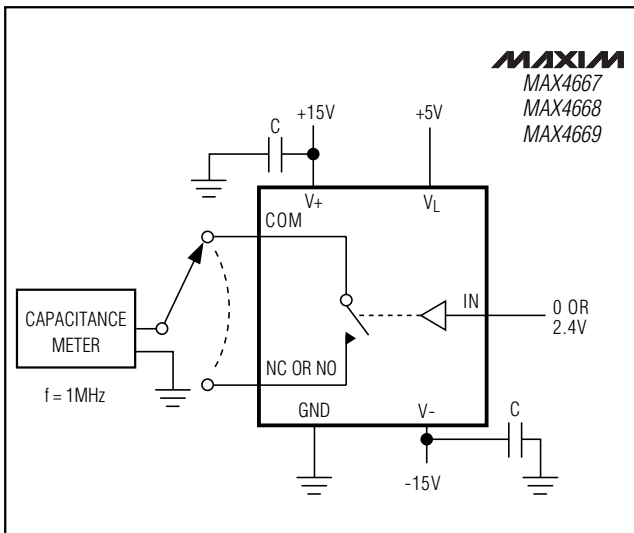


Figure 6. Switch Off-Capacitance Test Circuit

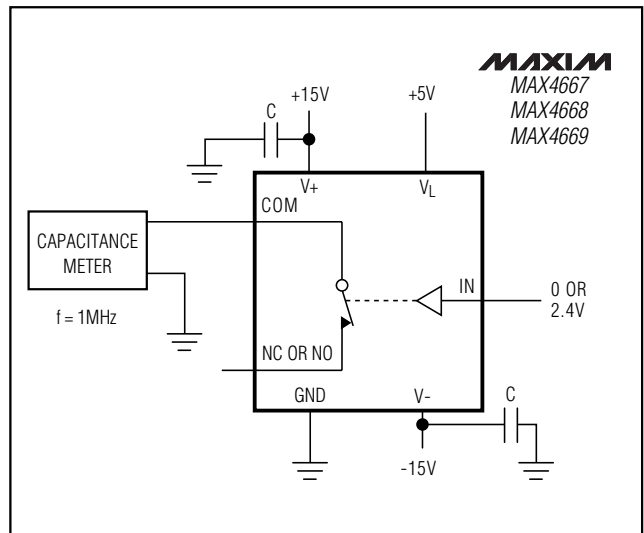


Figure 7. Switch On-Capacitance Test Circuit

2.5Ω, Dual, SPST, CMOS Analog Switches

MAX4667/MAX4668/MAX4669

Ordering Information (continued)

PART	TEMP. RANGE	PIN-PACKAGE
MAX4668CSE	0°C to +70°C	16 Narrow SO
MAX4668CPE	0°C to +70°C	16 Plastic DIP
MAX4668ESE	-40°C to +85°C	16 Narrow SO
MAX4668EPE	-40°C to +85°C	16 Plastic DIP
MAX4669CSE	0°C to +70°C	16 Narrow SO
MAX4669CPE	0°C to +70°C	16 Plastic DIP
MAX4669ESE	-40°C to +85°C	16 Narrow SO
MAX4669EPE	-40°C to +85°C	16 Plastic DIP

Chip Information

TRANSISTOR COUNT: 108

Package Information

	INCHES		MILLIMETERS	
	MIN	MAX	MIN	MAX
A	0.053	0.069	1.35	1.75
A1	0.004	0.010	0.10	0.25
B	0.014	0.019	0.35	0.49
C	0.007	0.010	0.19	0.25
e	0.050		1.27	
E	0.150	0.157	3.80	4.00
H	0.228	0.244	5.80	6.20
h	0.010	0.020	0.25	0.50
L	0.016	0.050	0.40	1.27

	INCHES		MILLIMETERS		N	MS012
	MIN	MAX	MIN	MAX		
D	0.189	0.197	4.80	5.00	8	A
D	0.337	0.344	8.55	8.75	14	B
D	0.386	0.394	9.80	10.00	16	C

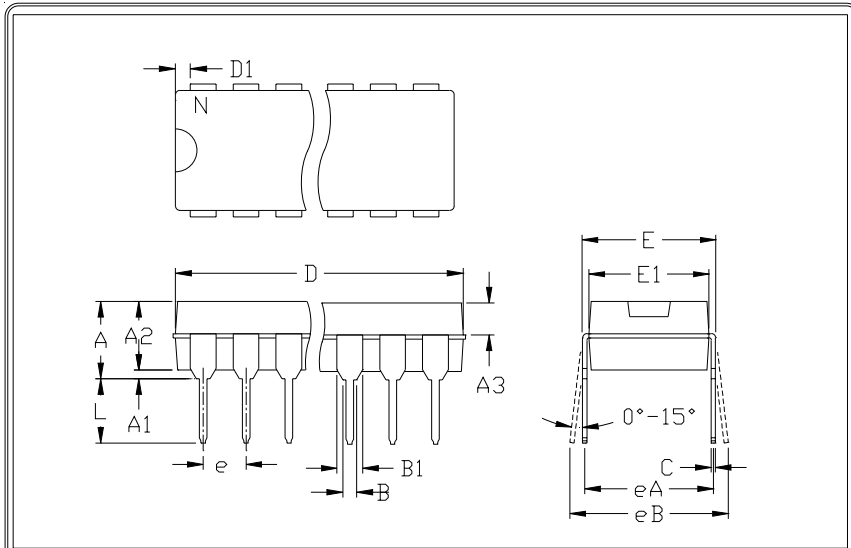
NOTES:
 1. D&E DO NOT INCLUDE MOLD FLASH
 2. MOLD FLASH OR PROTRUSIONS NOT TO EXCEED .15mm (.006")
 3. LEADS TO BE COPLANAR WITHIN .102mm (.004")
 4. CONTROLLING DIMENSION: MILLIMETER
 5. MEETS JEDEC MS012-XX AS SHOWN IN ABOVE TABLE
 6. N = NUMBER OF PINS

MAXIM
 120 SAN GABRIEL DR. SAN JOSE, CA 95086 FAX (408) 737-7794
 PROPRIETARY INFORMATION

PACKAGE FAMILY OUTLINE: SOIC .150" $\frac{1}{1}$ 21-0041 A
 TITLE DOCUMENT CONTROL NUMBER REV

2.5Ω, Dual, SPST, CMOS Analog Switches

Package Information (continued)



	INCHES		MILLIMETERS	
	MIN	MAX	MIN	MAX
A	---	0.200	---	5.08
A1	0.015	---	0.38	---
A2	0.125	0.175	3.18	4.45
A3	0.055	0.080	1.40	2.03
B	0.016	0.022	0.41	0.56
B1	0.045	0.065	1.14	1.65
C	0.008	0.012	0.20	0.30
D1	0.005	0.080	0.13	2.03
E	0.300	0.325	7.62	8.26
E1	0.240	0.310	6.10	7.87
e	0.100	---	2.54	---
eA	0.300	---	7.62	---
eB	---	0.400	---	10.16
L	0.115	0.150	2.92	3.81

	INCHES		MILLIMETERS		N	MS001
	MIN	MAX	MIN	MAX		
D	0.348	0.390	8.84	9.91	8	AB
D	0.735	0.765	18.67	19.43	14	AC
D	0.745	0.765	18.92	19.43	16	AA
D	0.885	0.915	22.48	23.24	18	AD
D	1.015	1.045	25.78	26.54	20	AE
D	1.14	1.265	28.96	32.13	24	AF
D	1.360	1.380	34.54	35.05	28	*5

- NOTES:
1. D&E DO NOT INCLUDE MOLD FLASH
 2. MOLD FLASH OR PROTRUSIONS NOT TO EXCEED .15mm (.006")
 3. CONTROLLING DIMENSION: MILLIMETER
 4. MEETS JEDEC MS001-XX AS SHOWN IN ABOVE TABLE
 5. SIMILAR TO JEDEC MO-058AB
 6. N = NUMBER OF PINS

 <small>120 SAN GABRIEL DR. SUNNYVALE CA 94086 FAX (408) 737-7504</small> <small>PROPRIETARY INFORMATION</small>	PACKAGE FAMILY OUTLINE: PDIP .300"		21-0043 A
			<small>DOCUMENT CONTROL NUMBER REV</small>

Maxim cannot assume responsibility for use of any circuitry other than circuitry entirely embodied in a Maxim product. No circuit patent licenses are implied. Maxim reserves the right to change the circuitry and specifications without notice at any time.

12 **Maxim Integrated Products, 120 San Gabriel Drive, Sunnyvale, CA 94086 408-737-7600**

Looking for pricing, stock, or lifecycle information?

Click below to explore more details on WIN SOURCE:

- ⊖ [View MAX4668ESE on WIN SOURCE](#)
- ⊖ [Maxim Integrated Information](#)

Optimize Your Supply Chain with WIN SOURCE Solutions

- ✓ Global Sourcing Solution
- ✓ Obsolete Management
- ✓ Cost Control Management
- ✓ Shortage Management
- ✓ Alternative Solution
- ✓ Excess Inventory Management