

System Power Supply ICs for TVs

Built-in FET Synchronous Rectification Type DC/DC converters H³Reg™ Type



BD95830MUV

No.11034EBT08

●Description

BD95830MUV is a 2ch switching regulator that can generate low output voltages (0.8V to 5.5V) at the large input voltage range (7.5 to 15V). Space-saving and high efficient switching regulator can be achieved due to built-in N-MOSFET power transistor. The IC also incorporates a new technology called H³Reg™, a Rohm proprietary control method which facilitates ultra-high transient response against changes in load. For protection and ease of use, the IC also incorporates soft start, and short circuit protection with timer latch functions. This switching regulator is designed for power supplies for Digital AV Equipments.

●Features

- 1) 2ch H³Reg™ DC/DC converter synchronous controller
- 2) Built-in N-MOSFET (High side:75mΩ, Low side:50mΩ)
- 3) Built-in Thermal Shut Down (TSD), Under-Voltage Lock-Out (UVLO), Adjustable Over Current Protection (OCP) : detected Low side FET Ron, Over Voltage Protection (OVP), Short Circuit Protection (SCP)
- 4) Soft start function to minimize rush current during startup
- 5) VQFN032V5050 package
- 6) Built-in 5V power supply for FET drive
- 7) Integrated bootstrap diode
- 8) Switching frequency : 400kHz~800kHz (depend on input-output condition)

●Applications

LCD-TV, PDP-TV, Set Top Box, Game Consoles, Desktop PCs

●Maximum Absolute Ratings (Ta=25°C)

| Parameter | Symbol | Ratings | Unit |
|------------------------------|----------------------|----------------------|------|
| Input Voltage | VIN1, VIN2, VINS | 15.1 ^{*1,2} | V |
| BOOT Voltage | BOOT1,BOOT2 | 21.1 ^{*1,2} | V |
| BOOT-SW Voltage | BOOT1-SW1, BOOT2-SW2 | 7 ^{*1,2} | V |
| Output Voltage | VOUT1, VOUT2 | 7 ^{*1,2} | V |
| Output Feedback Voltage | FB1, FB2 | VREG | V |
| VREG Voltage | VREG | 7 ^{*1,2} | V |
| VCC Voltage | VCC | VREG | V |
| Logic Input Voltage | EN1, EN2 | 15.1 ^{*1,2} | V |
| Power Dissipation 1 | Pd1 | 0.38 ^{*3} | W |
| Power Dissipation 2 | Pd2 | 0.88 ^{*4} | W |
| Power Dissipation 3 | Pd3 | 3.26 ^{*5} | W |
| Power Dissipation 4 | Pd4 | 4.56 ^{*6} | W |
| Operating Temperature Range | Topr | -20~+100 | °C |
| Storage Temperature Range | Tstg | -55~+150 | °C |
| Maximum Junction Temperature | Tjmax | +150 | °C |

*1 Not to exceed Pd.

*2 Instantaneous surge voltage, back electromotive force and voltage under less than 10% duty cycle.

*3 Reduced by 3.04mW/°C for each increase in Ta of 1°C over 25°C (when don't mounted on a heat radiation board)

*4 Reduced by 7.04mW/°C for increase in Ta of 1°C over 25°C.

(when mounted on a board 74.2mm × 74.2mm × 1.6mm Glass-epoxy PCB(1 layer), copper foil area : 20.2mm²)

*5 Reduced by 26.11mW/°C for increase in Ta of 1°C over 25°C.

(when mounted on a board 74.2mm × 74.2mm × 1.6mm Glass-epoxy PCB(4 layer), copper foil area: 20.2mm², 2-3layer: 5505mm²)

*6 Reduced by 36.5mW/°C for increase in Ta of 1°C over 25°C.

(when mounted on a board 74.2mm × 74.2mm × 1.6mm Glass-epoxy PCB(4 layer), copper foil area: 5505mm²)

●Operating Conditions (Ta=25°C)

| Parameter | Symbol | Ratings | | Unit |
|---------------------|----------------------|---------|------|------|
| | | Min. | Max. | |
| Input Voltage | VIN1, VIN2, VINS | 7.5 | 15 | V |
| BOOT Voltage | BOOT1, BOOT2 | 4.5 | 21 | V |
| SW Voltage | SW1, SW2 | -0.7 | 15 | V |
| BOOT-SW Voltage | BOOT1-SW1, BOOT2-SW2 | 4.5 | 5.5 | V |
| Logic Input Voltage | EN1, EN2 | 0 | 15 | V |
| Output Voltage | VOUT1, VOUT2 | 0.8 | 5.5 | V |
| MIN ON TIME | tonmin | - | 100 | ns |

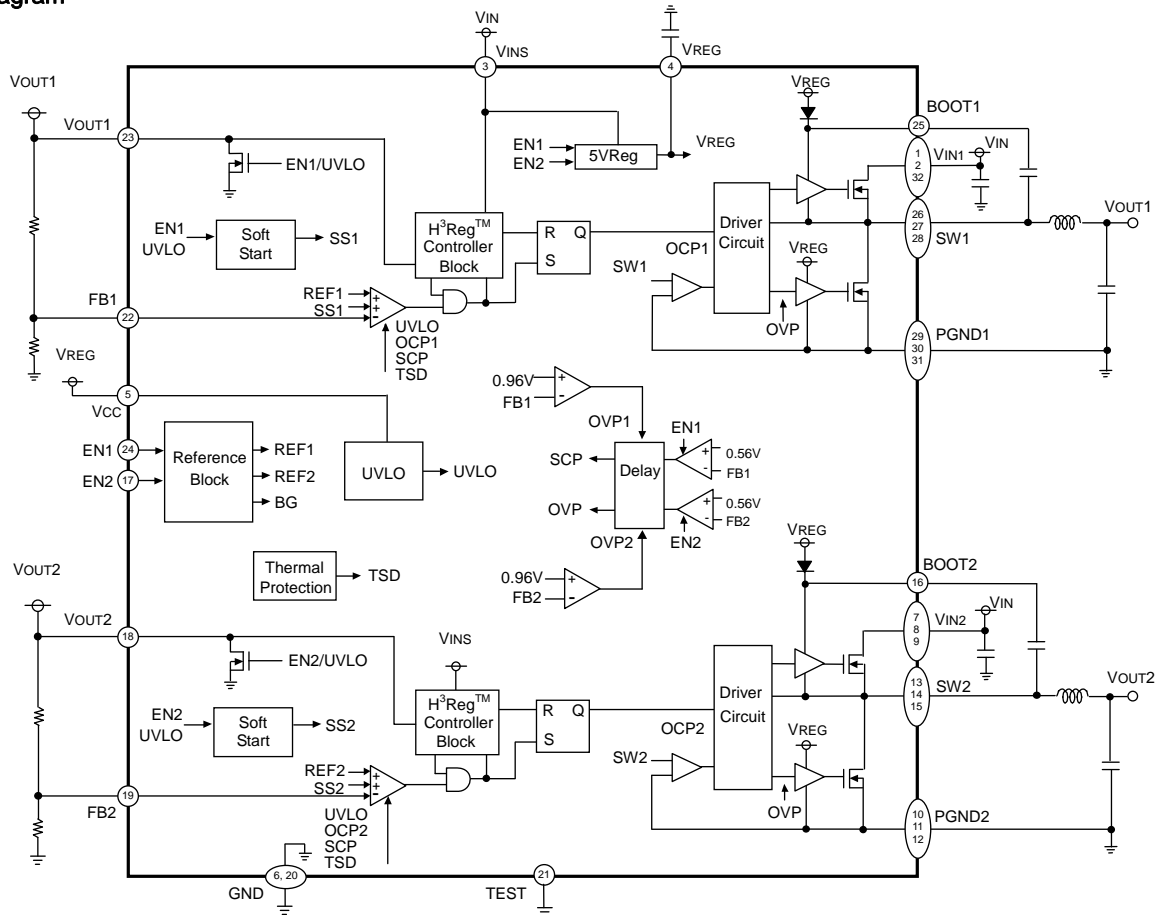
☆This product should not be used in a radioactive environment.

●Electrical Characteristics

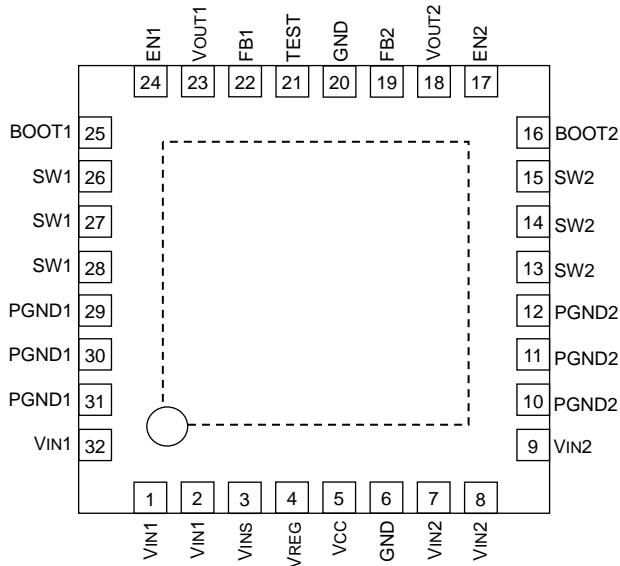
(Unless otherwise noted, Ta=25°C V_{CC}=V_{REG}, V_{IN1}=V_{IN2}=V_{INS}=12V, V_{EN1}=V_{EN2}=3V, V_{OUT1}=V_{OUT2}=1.8V)

| Parameter | Symbol | Limit | | | Unit | Condition |
|-------------------------------------|-------------------------|-------|------|-------|------|--|
| | | Min. | Typ. | Max. | | |
| [Whole Device] | | | | | | |
| VIN Bias Current | I _{IN} | - | 1.7 | 2.2 | mA | |
| VIN Standby Current | I _{IN_stb} | - | 0 | 10 | μA | V _{EN1} =V _{EN2} =0V |
| EN Low Voltage 1,2 | V _{EN_low1,2} | GND | - | 0.3 | V | |
| EN High Voltage 1,2 | V _{EN_high1,2} | 2.2 | - | 15 | V | |
| EN Pull-down resistance1,2 | R _{EN1,2} | 28 | 48 | 68 | kΩ | |
| [5V Regulator] | | | | | | |
| VREG Standby Voltage | V _{REG_stb} | - | - | 0.1 | V | V _{EN1} =V _{EN2} =0V |
| VREG Output Voltage | V _{REG} | 4.8 | 5.0 | 5.2 | V | V _{INS} =7.5V to 15V I _{REG} =10mA |
| Maximum Current | I _{REG} | 10 | - | - | mA | |
| [Under-Voltage Lock-Out] | | | | | | |
| UVLO Threshold Voltage | V _{CC_UVLO} | 4.0 | 4.3 | 4.6 | V | V _{REG} :Sweep up |
| UVLO Hysteresis Voltage | DV _{CC_UVLO} | 100 | 160 | 220 | mV | V _{REG} :Sweep down |
| [OVP Block] | | | | | | |
| OVP Threshold Voltage 1,2 | V _{OVP} | 0.86 | 0.96 | 1.06 | V | |
| OVP delay time | t _{OVP} | - | 1.4 | - | ms | |
| [H ³ Reg™ Control Block] | | | | | | |
| ON Time1,2 | ton1 | 200 | 255 | 310 | ns | |
| MIN OFF Time 1,2 | toffmin1 | 300 | 550 | - | ns | |
| [FET Driver Block] | | | | | | |
| High side FET ON Resistance 1,2 | R _{ON_high1,2} | - | 75 | 120 | mΩ | |
| Low side FET ON Resistance 1,2 | R _{ON_low1,2} | - | 50 | 75 | mΩ | |
| [Over Current Protection Block] | | | | | | |
| Current Limit 1,2 | I _{lim1,2} | 3 | 4 | 5 | A | |
| [Output Voltage Detection Block] | | | | | | |
| FB threshold Voltage1,2 | V _{FB1,2} | 0.788 | 0.8 | 0.812 | V | |
| Soft Start Time1,2 | T _{SOFT1} | - | 1.3 | - | ms | |
| FB Input Current 1,2 | I _{FB1,2} | -1 | - | 1 | μA | |
| VOUT Discharge Current 1,2 | I _{VOUT1,2} | 5 | 10 | - | mA | V _{OUT} =1V, V _{EN} =0V V _{CC} =5V |
| [SCP Block] | | | | | | |
| SCP Threshold Voltage 1,2 | V _{thscp1,2} | 0.48 | 0.56 | 0.64 | V | |
| SCP delay time | t _{SVP} | - | 1.4 | - | ms | |

●Block Diagram



●Pin Configuration



●Pin Function

| PIN No. | PIN Name | PIN Function |
|---------|----------|---|
| 1,2,32 | VIN1 | Power Supply Voltage Input Pin for 1ch. |
| 3 | VINS | Power Supply Voltage Sense Pin. Input Pin for VREG. |
| 4 | VREG | Reference Voltage Inside IC. |
| 5 | VCC | 5V Power Supply Input Pin. |
| 6,20 | GND | Sense GND. |
| 7-9 | VIN2 | Power Supply Voltage Input Pin for 2ch. |
| 10-12 | PGND2 | Power GND for 2ch. |
| 13-15 | SW2 | High side FET Source Pin 2. |
| 16 | BOOT2 | High side FET Gate Driver Power Supply Pin 2. |
| 17 | EN2 | Enable Input Pin 2. (0~0.3V:OFF, 2.2~15V:ON). |
| 18 | VOUT2 | Output Voltage Sense / Discharge Pin 2. |
| 19 | FB2 | Output Voltage Feedback Pin 2. |
| 21 | TEST | Pin for TEST. Connect to GND. |
| 22 | FB1 | Output Voltage Feedback Pin 1. |
| 23 | VOUT1 | Output Voltage Sense / Discharge Pin 1. |
| 24 | EN1 | Enable Input Pin 1. (0~0.3V:OFF, 2.2~15V:ON). |
| 25 | BOOT1 | High side FET Gate Driver Power Supply Pin 1. |
| 26-28 | SW1 | High side FET Source Pin 1. |
| 29-31 | PGND1 | Power GND for 1ch. |
| reverse | FIN | Exposed Pad, Connect to GND. |

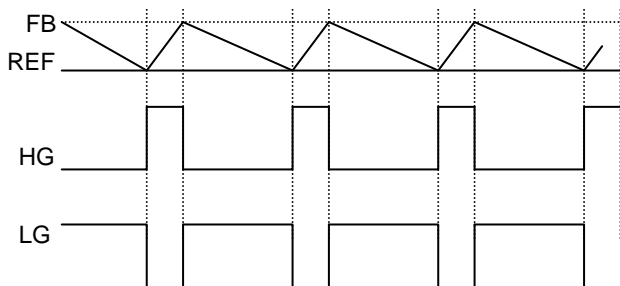
●Pin Descriptions

- EN1 / EN2
When the input voltage on the EN pin reaches at least 2.2V, the switching regulator becomes active. At voltages less than 0.3 V, the switching regulator becomes inactive, and the input current drops to 10 μ A or less. Thus the IC can be controlled from 2.5V, 3.3V or 5V power supplies.
- V_{INS}
The IC determines the duty cycles internally based upon the input voltage on this pin. Therefore, variations in voltage on this pin can lead to highly unstable operation. This pin also acts as the voltage input to the internal switching regulator block, and is sensitive to the impedance of the power supply. Attaching a bypass capacitor or RC filter on this pin as appropriate for the application is recommended.
- V_{REG}
Reference voltage output pin. If at least 2.2V is supplied to either the EN1 or EN2 pin, the reference output is switched on. This pin supplies 5.0V at up to 10mA. Inserting a 2.2 μ F capacitor (with a X5R or X7R rating) between the V_{REG} and GND pins is recommended.
- V_{CC}
This is the power supply pin for all internal circuitry. This pin can be supplied directly by a 5V source, or connect with the V_{REG} pin.
- GND
This is the ground pin for all internal analog and digital power supplies.
- V_{OUT1} / V_{OUT2}
This is the output voltage sense pin; this pin features an integrated discharge FET used to discharge the output capacitor when status is set to OFF.
- FB1 / FB2
This is the output feedback pin. FB is compared with REF (Refer to p.8) of IC. Set the output voltage with total about 10k Ω resistances.
- V_{IN1} / V_{IN2}
This is the input voltage pin for Power supply. Connect a input capacitor as appropriate for the ripple current and the load to the pin directly.
- BOOT1 / BOOT2
This pin supplies voltage used for driving the high-side FET. Inserting a 0.1 μ F ceramic capacitor between the pin and SW pins is recommended. Maximum absolute ratings are 21V from GND and 5.5V from SW. BOOT voltage swings between (V_{IN} + V_{REG}) and V_{REG} during active operation.
- SW1 / SW2
This pin is connected to inductor (L). Maximum absolute rating is 15V from GND. SW voltage swings between V_{IN} and PGND.
- PGND1 / PGND2
This pin acts as the ground connection to the source of the low-side FET.
- TEST
This is the pin for TEST. Connect to GND Pin.

●Explanation of Operation

The BD95830MUV is a 2ch switching regulator controller incorporating ROHM's proprietary H³Reg™ CONTROLLA control system. When V_{OUT} drops due to a rapid load change, the system quickly restores V_{OUT} by extending the ON time interval.

H³Reg™ control
(Normal operation)



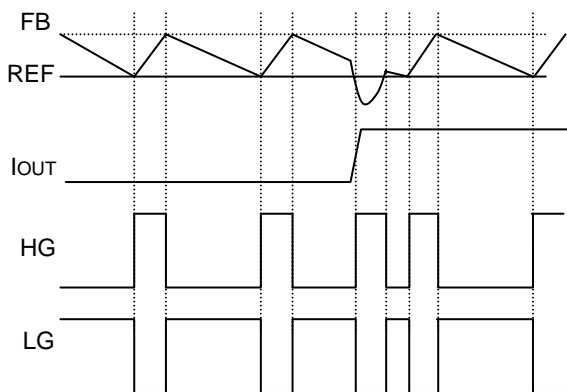
When FB falls below the threshold voltage (REF), a drop is detected, activating the H³Reg™ CONTROLLA system.

$$t_{ON} = \frac{V_{OUT}}{V_{IN}} \times \frac{1}{f} \text{ [sec]} \dots (1)$$

HG(Gate of High side FET) output is determined by the formula above.

LG(Gate of Low side FET) output operates until FB voltage falls below REF voltage after HG becomes OFF.

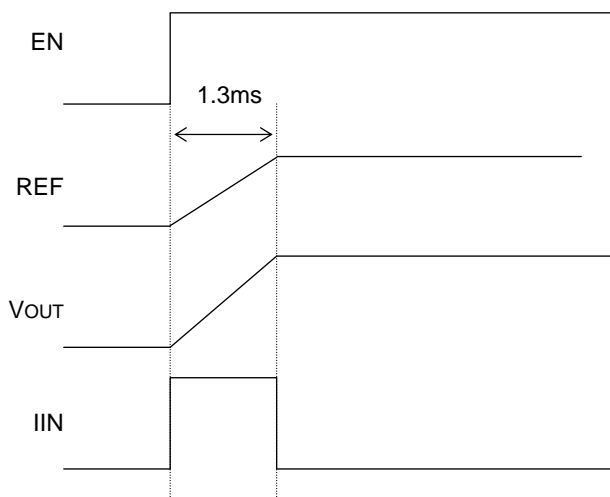
(V_{OUT} drops due to a rapid load change)



When FB (V_{OUT}) drops due to a rapid load change, and the voltage remains below REF after the frequency becomes high, the system quickly restores V_{OUT} by extending the t_{ON} time, improving transient response.

●Timing Chart

• Soft Start Function



Soft start is utilized when the EN pin is set high. Current control takes effect at startup, enabling a moderate "ramping start" on the output voltage. Soft start time is 1.3ms (typ). And rush current is determined via formula (2) below.

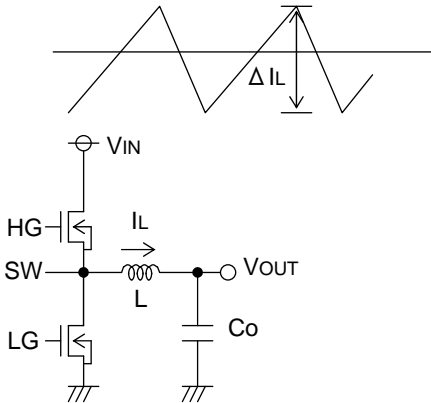
Rush current

$$I_{IN} = \frac{C_o \times V_{OUT}}{1.3ms} \text{ [A]} \dots (2)$$

(C_o: All capacitors connected with V_{OUT})

●External Component Selection

1. Inductor (L) selection



Output Ripple Current

The inductance value has a major influence on output ripple current. As formula (3) below indicates, the greater the inductance or switching frequency, the lower the ripple current.

$$\Delta I_L = \frac{(V_{IN} - V_{OUT}) \times V_{OUT}}{L \times V_{IN} \times f} \quad [A] \dots (3)$$

The proper output ripple current setting is about 30% of maximum output current.

$$\Delta I_L = 0.3 \times I_{OUTmax} \quad [A] \dots (4)$$

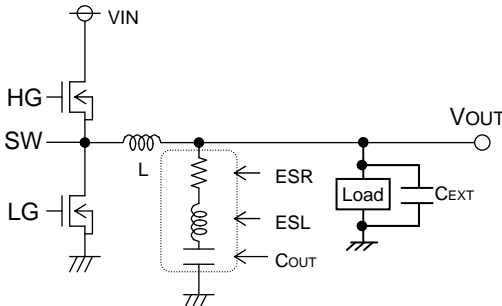
$$L = \frac{(V_{IN} - V_{OUT}) \times V_{OUT}}{\Delta I_L \times V_{IN} \times f} \quad [H] \dots (5)$$

(ΔIL: output ripple current, f: switching frequency)

※Passing a current larger than the inductor's rated current will cause magnetic saturation in the inductor and decrease system efficiency. When selecting an inductor, be sure to allow enough margin to assure that peak current does not exceed the inductor's rated current value.

※To minimize possible inductor damage and maximize efficiency, choose an inductor with a low (DCR, ACR) resistance.

2. Output Capacitor (COUT) Selection



Output Capacitor

Output Capacitor (COUT) has a considerable influence on output voltage regulation due to a rapid load change and smoothing output ripple voltage. Determine the capacitor by considering the value of capacity, the equivalent series resistance, and equivalent series inductance. Also, make sure the capacitor's voltage rating is high enough for the set output voltage (including ripple).

Output ripple voltage is determined as in formula (6) below.

$$\Delta V_{OUT} = \Delta I_L / (8 \times C_{OUT} \times f) + ESR \times \Delta I_L + ESL \times \Delta I_L / T_{ON} \dots (6)$$

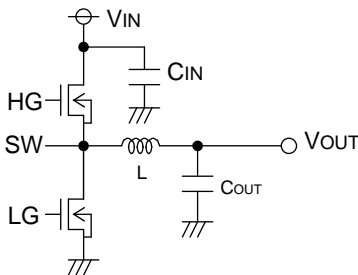
(ΔIL: Output ripple current; ESR: Equivalent series resistance, ESL: Equivalent series inductance)

Also, give due consideration to the conditions in formula (7) below for output capacitance, bearing in mind that output rise time must be established within the soft start time frame. As output capacitor capacitance, bypass capacitor will be connected to output load side (CEXT, figure above). Please set the over current detection value with regards to these capacitance.

$$C_{OUT} \leq \frac{1.3ms \times (Limit - I_{OUT})}{V_{OUT}} \dots (7) \quad \begin{matrix} \text{Limit: Over current detection} \\ I_{OUT}: \text{Output current} \end{matrix}$$

Note: an improper output capacitor may cause startup malfunctions.

3. Input Capacitor (CIN) Selection



Input Capacitor

In order to prevent transient spikes in voltage, the input capacitor selected must have a low enough ESR resistance to fully support a large ripple current on the output. The formula for ripple current IRMS is given in equation (8) below:

$$I_{RMS} = I_{OUT} \times \frac{\sqrt{V_{OUT} (V_{IN} - V_{OUT})}}{V_{IN}} \quad [A] \dots (8)$$

$$\text{Where } V_{IN} = 2 \times V_{OUT}, \quad I_{RMS} = \frac{I_{OUT}}{2}$$

A low-ESR capacitor is recommended to reduce ESR loss and maximize efficiency.

4. Output Voltage Setting

The IC will try to maintain output voltage such that $REF \approx V_{FB}$.

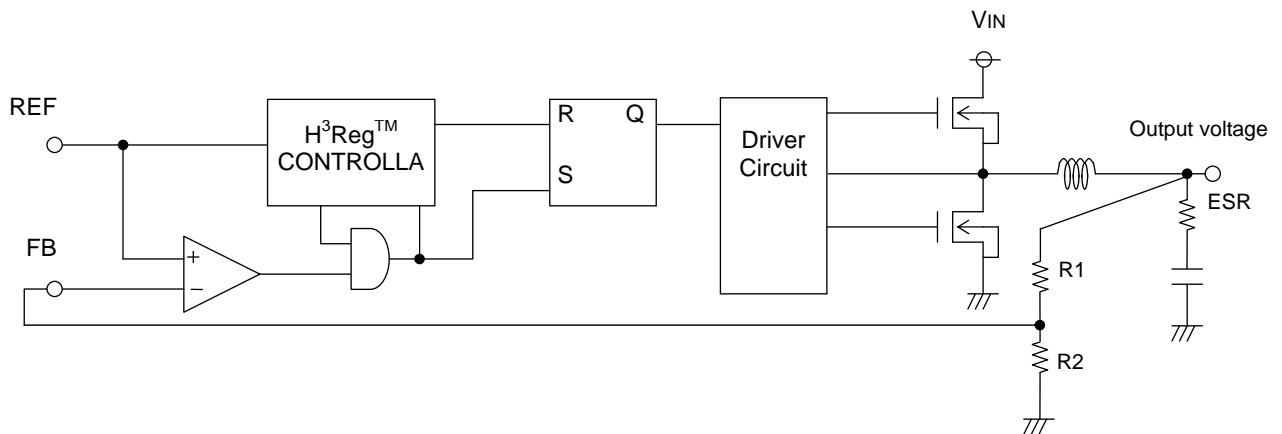
However, the actual output voltage will also reflect the average ripple voltage value.

The output voltage is set via a resistive voltage divider between the output and the FB pin. The formula for output voltage is given in (9) below:

$$\text{Output voltage} = \frac{R1+R2}{R2} \times REF + \Delta V_{OUT} \text{ [V]} \dots (9)$$

$$REF = 0.8 - (\text{ON duty} \times 0.1) \text{ [V]} \dots (10)$$

$$\text{ON duty} = \frac{V_{OUT}}{V_{IN}} \dots (11)$$



5. Relationship between output voltage and Ton duration

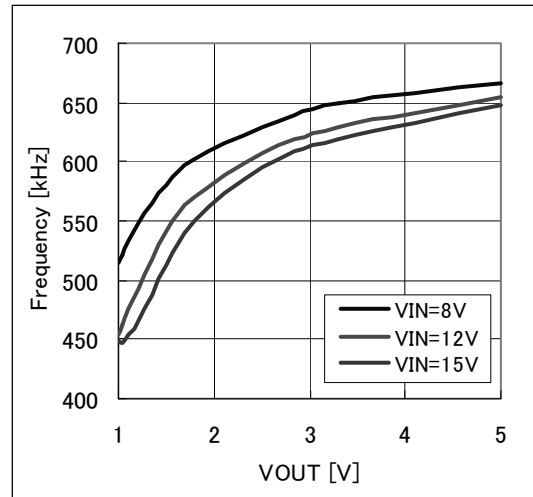
Both 1ch and 2ch of BD95830MUV are synchronous rectification type of switching controllers operated at fixed-frequency. The Ton duration for each channel depends on the output voltage settings, as described by the following formulas.

$$T_{ON} = \frac{V_{OUT}}{V_{IN}} \times 1.34\mu + 70n \text{ [ns]} \cdot \cdot \cdot (12)$$

Thus from the above Ton duration, the frequency of the applied condition is

$$\text{Frequency} = \frac{V_{OUT}}{V_{IN}} \times \frac{1}{T_{ON}} \text{ [kHz]} \cdot \cdot \cdot (13)$$

However with actual applications, there exists a rising and falling time of the SW and the switching speed, which may vary the above parameters. Thus please also verify those parameters experimentally.



6. Relationship between output current and frequency

BD95830MUV is a fixed-Ton type of switching controller. When the output current increases, the switching loss of the coil and MOSFET also increases and hence the switching frequency speeds up.

The loss of the coil and MOSFET is determined as

$$\textcircled{1} \text{ Loss of coil} = I_{OUT}^2 \times DCR$$

$$\textcircled{2} \text{ Loss of high-side MOSFET} = I_{OUT}^2 \times R_{onh} \times \frac{V_{OUT}}{V_{IN}}$$

$$\textcircled{3} \text{ Loss of low-side MOSFET} = I_{OUT}^2 \times R_{onn} \times \left(1 - \frac{V_{OUT}}{V_{IN}}\right)$$

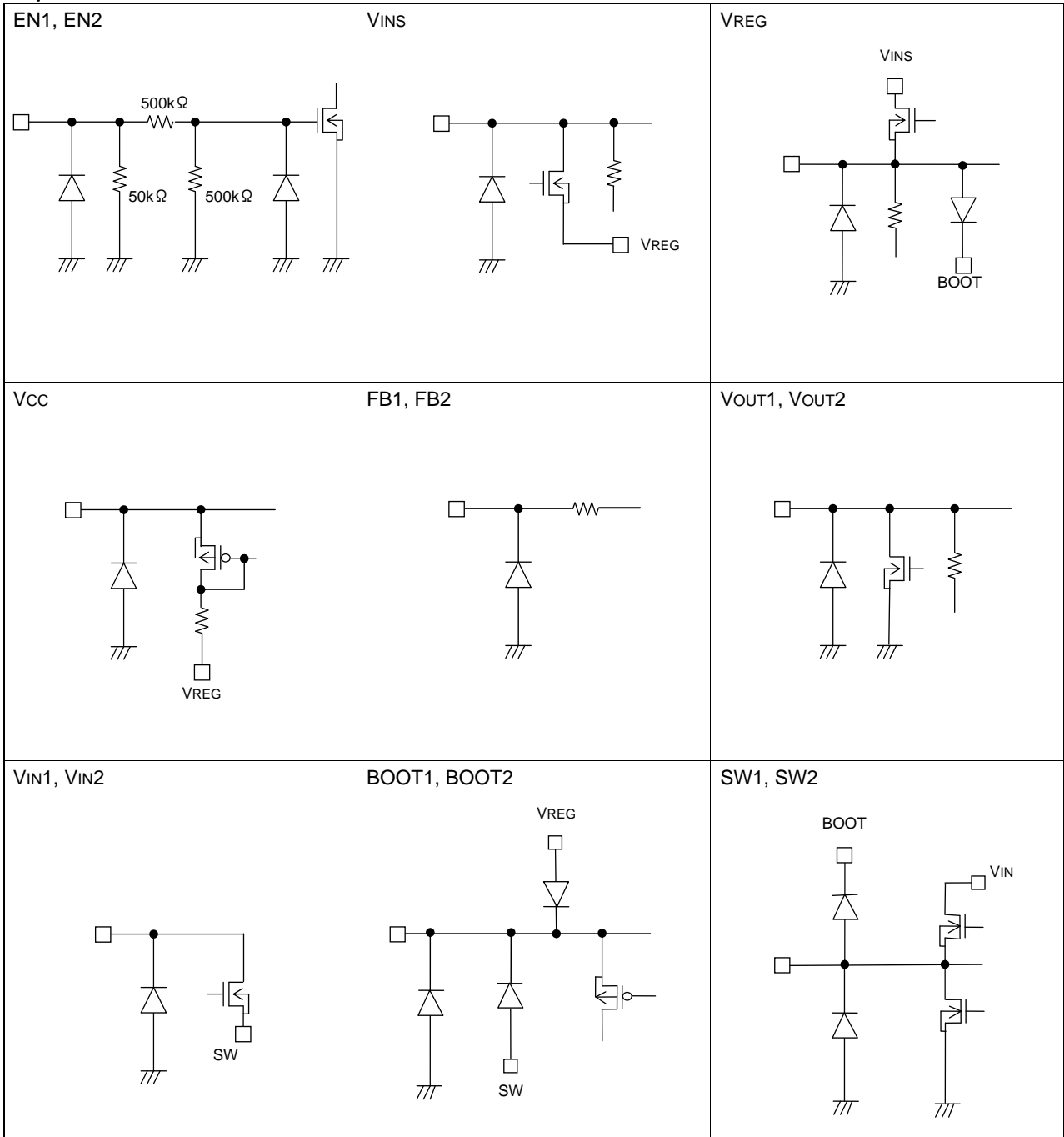
(Ronh : On-resistance of high-side MOSFET, Ronn : On resistance of low-side MOSFET, ESR : Cout Equivalent series resistance)

Taking the above losses into the frequency equation, then T (=1/Freq) becomes

$$T (=1/\text{Freq}) = \frac{V_{IN} \times I_{OUT} \times T_{ON}}{V_{OUT} \times I_{OUT} + \textcircled{1} + \textcircled{2} + \textcircled{3}} \cdot \cdot \cdot (14)$$

However since the parasitic resistance of the layout pattern exists in actual applications and affects the parameter, please also verify experimentally.

● I/O Equivalent Circuits



●Notes for use

(1) Absolute Maximum Ratings

Use of the IC in excess of absolute maximum ratings (such as the input voltage or operating temperature range) may result in damage to the IC. Assumptions should not be made regarding the state of the IC (e.g., short mode or open mode) when such damage is suffered. If operational values are expected to exceed the maximum ratings for the device, consider adding protective circuitry (such as fuses) to eliminate the risk of damaging the IC.

(2) Power Supply Polarity

Connecting the power supply in reverse polarity can cause damage to the IC. Take precautions when connecting the power supply lines. An external power diode can be added.

(3) Power Supply Lines

In order to minimize noise, PCB layout should be designed such that separate, low-impedance power lines are routed to the digital and analog blocks. Additionally, a coupling capacitor should be inserted between all power input pins and the ground terminal. If electrolytic capacitors are used, keep in mind that their capacitance characteristics are reduced at low temperatures.

(4) GND voltage

The potential of the GND pin must be the minimum potential in the system in all operating conditions.

(5) Thermal design

Use a thermal design that allows for a sufficient margin for power dissipation (Pd) under actual operating conditions.

(6) Inter-pin Shorts and Mounting Errors

Use caution when orienting and positioning the IC for mounting on printed circuit boards. Improper mounting may result in damage to the IC. Shorts between output pins or between output pins and the power supply and GND pins caused by poor soldering or foreign objects may result in damage to the IC.

(7) Operation in Strong Electromagnetic Fields

Using this product in strong electromagnetic fields may cause IC malfunction. Caution should be exercised in applications where strong electromagnetic fields may be present.

(8) ASO - Area of Safe Operation

When using the IC, ensure that operating conditions do not exceed absolute maximum ratings or ASO of the output transistors.

(9) Thermal shutdown (TSD) circuit

The IC incorporates a built-in thermal shutdown circuit, which is designed to turn the IC off completely in the event of thermal overload. It is not designed to protect the IC from damage or guarantee its operation. ICs should not be used after this function has activated, or in applications where the operation of this circuit is assumed.

| | TSD ON Temp. [°C] (typ.) | Hysteresis Temp. [°C] (typ.) |
|------------|--------------------------|------------------------------|
| BD95830MUV | 175 | 15 |

(10) Testing on application boards

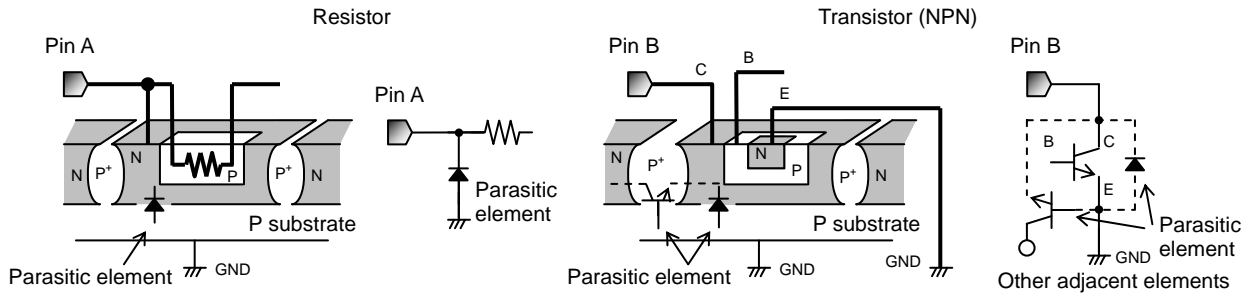
When testing the IC on an application board, connecting a capacitor directly to a low-impedance pin may subject the IC to stress. Always discharge capacitors completely after each process or step. The IC's power supply should always be turned off completely before connecting or removing it from a jig or fixture during the evaluation process. To prevent damage from static discharge, ground the IC during assembly and use similar precautions during transport and storage.

(11) Regarding input pins of the IC

This monolithic IC contains P+ isolation and P substrate layers between adjacent elements in order to keep them isolated. PN junctions are formed at the intersection of these P layers with the N layers of other elements, creating parasitic diodes and/or transistors. For example (refer to the figure below):

- When GND > Pin A and GND > Pin B, the PN junction operates as a parasitic diode
- When GND > Pin B, the PN junction operates as a parasitic transistor

Parasitic diodes occur inevitably in the structure of the IC, and the operation of these parasitic diodes can result in mutual interference among circuits, operational faults, or physical damage. Accordingly, conditions that cause these diodes to operate, such as applying a voltage lower than the GND voltage to an input pin (and thus to the P substrate) should be avoided.

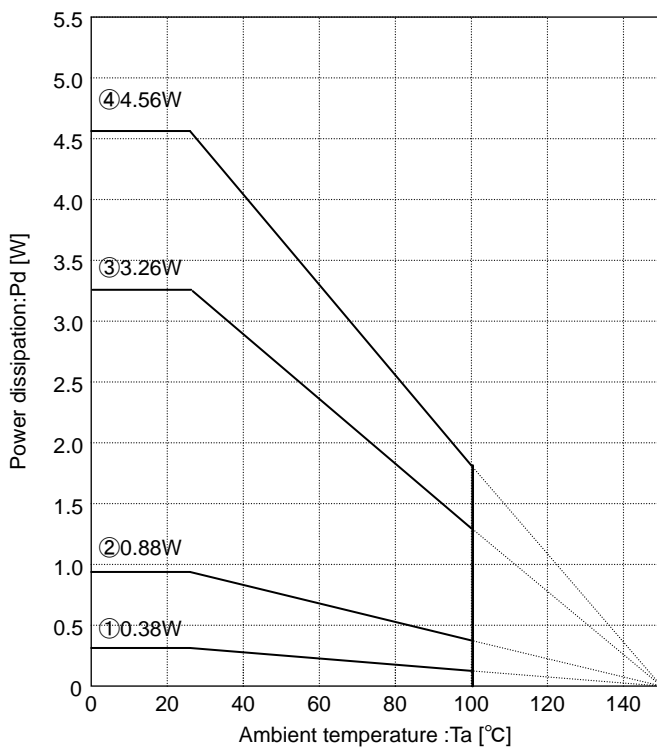


Example of IC structure

(12) Ground Wiring Pattern

When using both small-signal and large-current GND traces, the two ground traces should be routed separately but connected to a single ground potential within the application in order to avoid variations in the small-signal ground caused by large currents. Also ensure that the GND traces of external components do not cause variations on GND voltage.

●Power Dissipation (VQFN032V5050)



- ① IC Only
θ_{j-a}=328.9°C/W
- ② IC mounted on 1-layer board (with 20.2 mm² copper thermal pad)
θ_{j-a}=142.0°C/W
- ③ IC mounted on 4-layer board (with 20.2 mm² pad on top layer, 5502 mm² pad on layers 2,3)
θ_{j-a}=38.3°C/W
- ④ IC mounted on 4-layer board (with 5505mm² pad on all layers)
θ_{j-a}=27.4°C/W

Notice

Precaution on using ROHM Products

- Our Products are designed and manufactured for application in ordinary electronic equipments (such as AV equipment, OA equipment, telecommunication equipment, home electronic appliances, amusement equipment, etc.). If you intend to use our Products in devices requiring extremely high reliability (such as medical equipment ^(Note 1), transport equipment, traffic equipment, aircraft/spacecraft, nuclear power controllers, fuel controllers, car equipment including car accessories, safety devices, etc.) and whose malfunction or failure may cause loss of human life, bodily injury or serious damage to property ("Specific Applications"), please consult with the ROHM sales representative in advance. Unless otherwise agreed in writing by ROHM in advance, ROHM shall not be in any way responsible or liable for any damages, expenses or losses incurred by you or third parties arising from the use of any ROHM's Products for Specific Applications.

(Note1) Medical Equipment Classification of the Specific Applications

| JAPAN | USA | EU | CHINA |
|-----------|-----------|------------|-----------|
| CLASS III | CLASS III | CLASS II b | CLASS III |
| CLASS IV | | CLASS III | |

- ROHM designs and manufactures its Products subject to strict quality control system. However, semiconductor products can fail or malfunction at a certain rate. Please be sure to implement, at your own responsibilities, adequate safety measures including but not limited to fail-safe design against the physical injury, damage to any property, which a failure or malfunction of our Products may cause. The following are examples of safety measures:
 - Installation of protection circuits or other protective devices to improve system safety
 - Installation of redundant circuits to reduce the impact of single or multiple circuit failure
- Our Products are designed and manufactured for use under standard conditions and not under any special or extraordinary environments or conditions, as exemplified below. Accordingly, ROHM shall not be in any way responsible or liable for any damages, expenses or losses arising from the use of any ROHM's Products under any special or extraordinary environments or conditions. If you intend to use our Products under any special or extraordinary environments or conditions (as exemplified below), your independent verification and confirmation of product performance, reliability, etc. prior to use, must be necessary:
 - Use of our Products in any types of liquid, including water, oils, chemicals, and organic solvents
 - Use of our Products outdoors or in places where the Products are exposed to direct sunlight or dust
 - Use of our Products in places where the Products are exposed to sea wind or corrosive gases, including Cl₂, H₂S, NH₃, SO₂, and NO₂
 - Use of our Products in places where the Products are exposed to static electricity or electromagnetic waves
 - Use of our Products in proximity to heat-producing components, plastic cords, or other flammable items
 - Sealing or coating our Products with resin or other coating materials
 - Use of our Products without cleaning residue of flux (even if you use no-clean type fluxes, cleaning residue of flux is recommended); or Washing our Products by using water or water-soluble cleaning agents for cleaning residue after soldering
 - Use of the Products in places subject to dew condensation
- The Products are not subject to radiation-proof design.
- Please verify and confirm characteristics of the final or mounted products in using the Products.
- In particular, if a transient load (a large amount of load applied in a short period of time, such as pulse. is applied, confirmation of performance characteristics after on-board mounting is strongly recommended. Avoid applying power exceeding normal rated power; exceeding the power rating under steady-state loading condition may negatively affect product performance and reliability.
- De-rate Power Dissipation (Pd) depending on Ambient temperature (Ta). When used in sealed area, confirm the actual ambient temperature.
- Confirm that operation temperature is within the specified range described in the product specification.
- ROHM shall not be in any way responsible or liable for failure induced under deviant condition from what is defined in this document.

Precaution for Mounting / Circuit board design

- When a highly active halogenous (chlorine, bromine, etc.) flux is used, the residue of flux may negatively affect product performance and reliability.
- In principle, the reflow soldering method must be used; if flow soldering method is preferred, please consult with the ROHM representative in advance.

For details, please refer to ROHM Mounting specification

Precautions Regarding Application Examples and External Circuits

1. If change is made to the constant of an external circuit, please allow a sufficient margin considering variations of the characteristics of the Products and external components, including transient characteristics, as well as static characteristics.
2. You agree that application notes, reference designs, and associated data and information contained in this document are presented only as guidance for Products use. Therefore, in case you use such information, you are solely responsible for it and you must exercise your own independent verification and judgment in the use of such information contained in this document. ROHM shall not be in any way responsible or liable for any damages, expenses or losses incurred by you or third parties arising from the use of such information.

Precaution for Electrostatic

This Product is electrostatic sensitive product, which may be damaged due to electrostatic discharge. Please take proper caution in your manufacturing process and storage so that voltage exceeding the Products maximum rating will not be applied to Products. Please take special care under dry condition (e.g. Grounding of human body / equipment / solder iron, isolation from charged objects, setting of ionizer, friction prevention and temperature / humidity control).

Precaution for Storage / Transportation

1. Product performance and soldered connections may deteriorate if the Products are stored in the places where:
 - [a] the Products are exposed to sea winds or corrosive gases, including Cl₂, H₂S, NH₃, SO₂, and NO₂
 - [b] the temperature or humidity exceeds those recommended by ROHM
 - [c] the Products are exposed to direct sunshine or condensation
 - [d] the Products are exposed to high Electrostatic
2. Even under ROHM recommended storage condition, solderability of products out of recommended storage time period may be degraded. It is strongly recommended to confirm solderability before using Products of which storage time is exceeding the recommended storage time period.
3. Store / transport cartons in the correct direction, which is indicated on a carton with a symbol. Otherwise bent leads may occur due to excessive stress applied when dropping of a carton.
4. Use Products within the specified time after opening a humidity barrier bag. Baking is required before using Products of which storage time is exceeding the recommended storage time period.

Precaution for Product Label

QR code printed on ROHM Products label is for ROHM's internal use only.

Precaution for Disposition

When disposing Products please dispose them properly using an authorized industry waste company.

Precaution for Foreign Exchange and Foreign Trade act

Since our Products might fall under controlled goods prescribed by the applicable foreign exchange and foreign trade act, please consult with ROHM representative in case of export.

Precaution Regarding Intellectual Property Rights

1. All information and data including but not limited to application example contained in this document is for reference only. ROHM does not warrant that foregoing information or data will not infringe any intellectual property rights or any other rights of any third party regarding such information or data. ROHM shall not be in any way responsible or liable for infringement of any intellectual property rights or other damages arising from use of such information or data.:
2. No license, expressly or implied, is granted hereby under any intellectual property rights or other rights of ROHM or any third parties with respect to the information contained in this document.

Other Precaution



1. This document may not be reprinted or reproduced, in whole or in part, without prior written consent of ROHM.
2. The Products may not be disassembled, converted, modified, reproduced or otherwise changed without prior written consent of ROHM.
3. In no event shall you use in any way whatsoever the Products and the related technical information contained in the Products or this document for any military purposes, including but not limited to, the development of mass-destruction weapons.
4. The proper names of companies or products described in this document are trademarks or registered trademarks of ROHM, its affiliated companies or third parties.

General Precaution

1. Before you use our Products, you are requested to carefully read this document and fully understand its contents. ROHM shall not be in any way responsible or liable for failure, malfunction or accident arising from the use of any ROHM's Products against warning, caution or note contained in this document.
2. All information contained in this document is current as of the issuing date and subject to change without any prior notice. Before purchasing or using ROHM's Products, please confirm the latest information with a ROHM sales representative.
3. The information contained in this document is provided on an "as is" basis and ROHM does not warrant that all information contained in this document is accurate and/or error-free. ROHM shall not be in any way responsible or liable for any damages, expenses or losses incurred by you or third parties resulting from inaccuracy or errors of or concerning such information.

Looking for pricing, stock, or lifecycle information?

Click below to explore more details on WIN SOURCE:

-  [View BD95830MUV-E2](#) on WIN SOURCE
-  [Rohm Semiconductor](#) Information

Optimize Your Supply Chain with WIN SOURCE Solutions

-  Global Sourcing Solution
-  Obsolete Management
-  Cost Control Management
-  Shortage Management
-  Alternative Solution
-  Excess Inventory Management