



**THE DATASHEET OF
MP6922AGN-Z**



DESCRIPTION

The MP6922A is a dual, fast-turn-off, intelligent rectifier for synchronous rectification in LLC resonant converters.

The IC drives two N-channel MOSFETs and regulates their forward voltage drop to about 30mV and turns it off before the switching current goes negative.

MP6922A has a light-load function to latch off the gate driver under light-load conditions, thus limiting the current to below 600µA.

The MP6922A's fast turn-off enables both continuous-conduction mode and discontinuous-conduction mode. An internal reverse-current protection function ensures safe MOSFET operation under high-frequency continuous-current conditions.

MP6922A requires a minimal number of readily-available standard external components and is available in SOIC8E, SOIC8, and SOIC14 packages.

FEATURES

- Works with Both Standard and Logic-Level MOSFETs
- Compatible with Energy Star's 0.5W Standby Requirements
- V_{DD} Range from 8V to 24V
- 30mV V_{DS} Regulation Function ⁽¹⁾
- Fast Turn-Off Total Delay of 20ns
- Reverse-Current-Protection Function
- Maximum Switching Frequency of 300kHz
- Light Load Mode Function ⁽¹⁾ with <600µA Quiescent Current
- Supports CCM, CrCM and DCM Operation
- Available in SOIC8E, SOIC8, and SOIC14 packages
- Halogen-free

APPLICATIONS

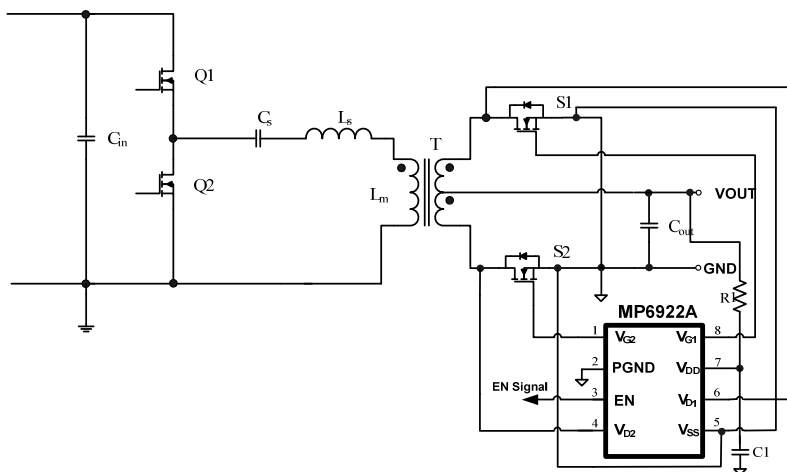
- AC-DC Adapters
- LCDs & PDP TVs
- Telecom SMPS

All MPS parts are lead-free and adhere to the RoHS directive. For MPS green status, please visit MPS website under Products, Quality Assurance page. "MPS" and "The Future of Analog IC Technology" are registered trademarks of Monolithic Power Systems, Inc.

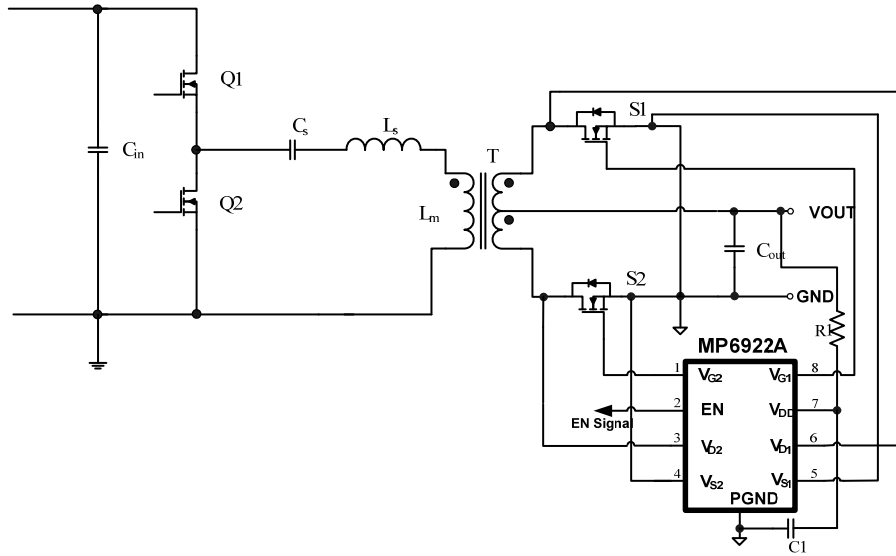
Notes:

- 1) Related issued patent: US Patent US8,067,973; US8,400,790. CN Patent ZL201010504140.4; ZL200910059751.X. Other patents pending.

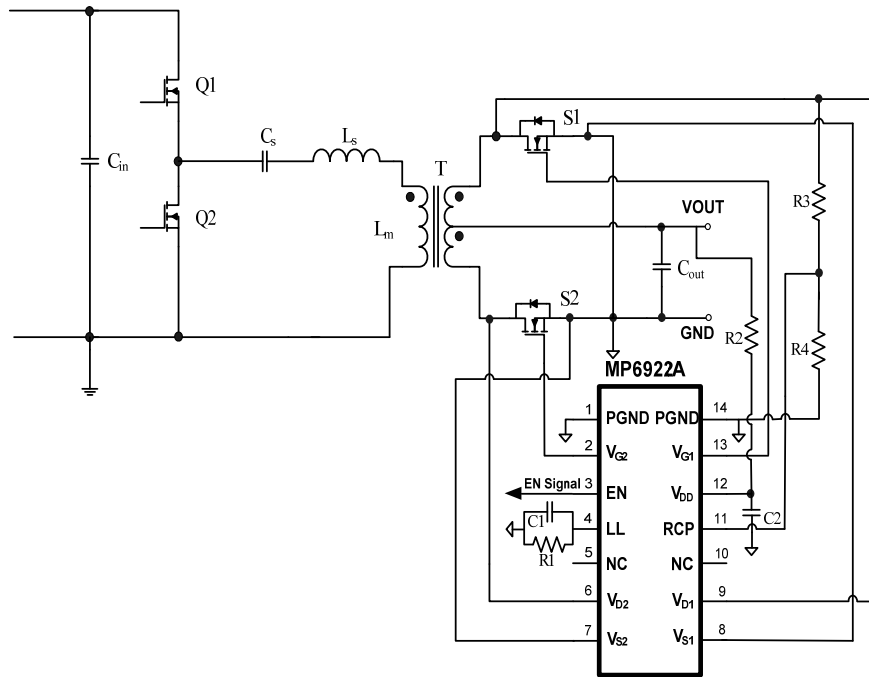
TYPICAL APPLICATION



SOIC8



SOIC8E



SOIC14

ORDERING INFORMATION

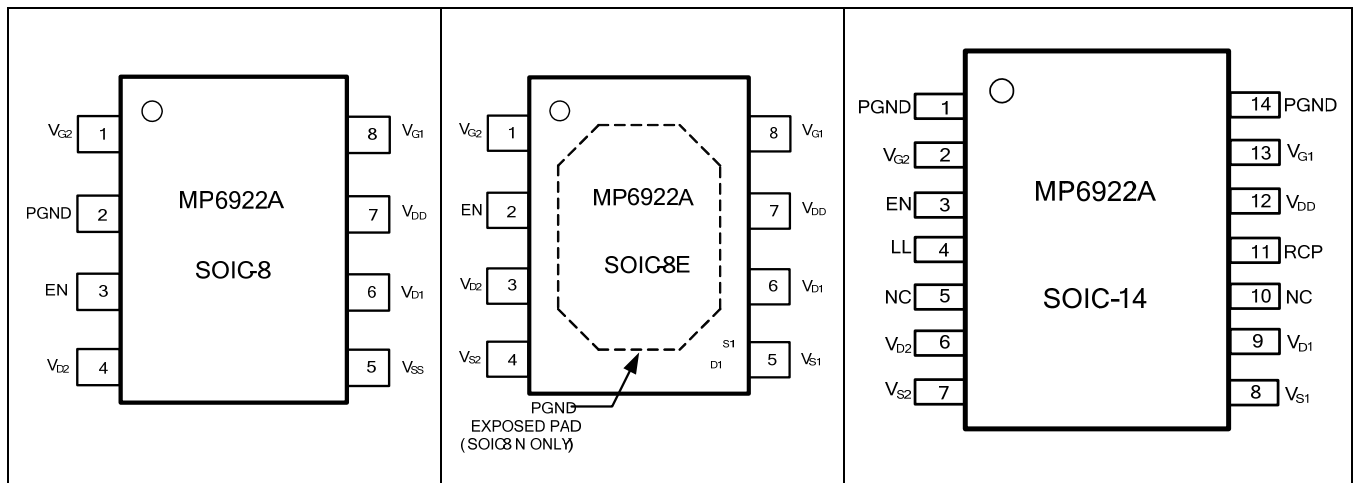
| Part Number | Package | Top Marking |
|--------------|---------|-------------|
| MP6922AGSE* | SOIC8 | MP6922A |
| MP6922AGN** | SOIC8E | MP6922A |
| MP6922AGS*** | SOIC14 | MP6922A |

*For Tape & Reel, add suffix -Z (e.g. MP6922AGSE-Z);

**For Tape & Reel, add suffix -Z (e.g. MP6922AGN-Z);

***For Tape & Reel, add suffix -Z (e.g. MP6922AGS-Z);

PACKAGE REFERENCE



ABSOLUTE MAXIMUM RATINGS ⁽²⁾

| | |
|---|-------------------|
| V_{DD} to V_{S1}, V_{S2}, V_{SS} | -0.3V to +26V |
| PGND to V_{S1}, V_{S2}, V_{SS} | -0.3V to +0.3V |
| V_{G1} to V_{S1}, V_{SS} | -0.3V to V_{DD} |
| V_{G2} to V_{S2}, V_{SS} | -0.3V to V_{DD} |
| V_{D1} to V_{S1}, V_{SS} | -0.7V to +180V |
| V_{D2} to V_{S2}, V_{SS} | -0.7V to +180V |
| LL, EN to V_{S1}, V_{S2}, V_{SS} | -0.3V to +6.5V |
| Maximum Operating Frequency | 300 kHz |
| Continuous Power Dissipation.. ($T_A = +25^\circ\text{C}$) ⁽³⁾ | |
| SOIC8 | 1.4W |
| SOIC8E | 2.5W |
| SOIC14 | 1.5W |
| Junction Temperature | 150°C |
| Lead Temperature (Solder) | 260°C |
| Storage Temperature | -55°C to +150°C |

Recommended Operation Conditions ⁽⁴⁾

| | |
|--|-----------------|
| V_{DD} to V_{S1}, V_{S2}, V_{SS} | 8V to 24V |
| Operating Junction Temp. (T_J) | -40°C to +125°C |

| Thermal Resistance ⁽⁵⁾ | θ_{JA} | θ_{JC} |
|-----------------------------------|---------------|---------------|
| SOIC8 | 90 | 45 |
| SOIC8E | 50 | 10 |
| SOIC14 | 86 | 38 |

Notes:

- Exceeding these ratings may damage the device.
- $T_A = +25^\circ\text{C}$. The maximum allowable power dissipation is a function of the maximum junction temperature $T_J(\text{MAX})$, the junction-to-ambient thermal resistance θ_{JA} , and the ambient temperature T_A . The maximum allowable continuous power dissipation at any ambient temperature is calculated by $P_D(\text{MAX}) = (T_J(\text{MAX}) - T_A) / \theta_{JA}$. Exceeding the maximum allowable power dissipation will cause excessive die temperature, and the regulator will go into thermal shutdown. Internal thermal shutdown circuitry protects the device from permanent damage.
- The device is not guaranteed to function outside of its operating conditions.
- Measured on JESD51-7, 4-layer PCB. Without heatsink.

ELECTRICAL CHARACTERISTICS

$V_{DD} = 12V$, $-40^{\circ}C \leq T_J \leq 125^{\circ}C$, unless otherwise noted.

| Parameter | Symbol | Conditions | Min | Typ | Max | Units | |
|--|----------------|-----------------------------------|---|--------------|------|-------------|----|
| V_{DD} Voltage Range | | | 8 | | 24 | V | |
| V_{DD} UVLO Threshold | | Rising | 4.8 | 6.0 | 7.0 | V | |
| | | Hysteresis | 0.5 | 1 | 1.5 | V | |
| Operating Current | I_{CC} | $C_{LOAD}=5nF$, $F_{SW}=100kHz$ | 12 | 18 | 23 | mA | |
| | | $C_{LOAD}=10nF$, $F_{SW}=100kHz$ | 24 | 27 | 31 | mA | |
| Shutdown Current | | $V_{DD}=20V$, $EN=0V$ | | | 600 | μA | |
| Light-Load Mode Current | | | | | 600 | μA | |
| Thermal Shutdown | | | | 150 | | $^{\circ}C$ | |
| Thermal Shutdown hysteresis | | | | 30 | | $^{\circ}C$ | |
| Enable Shutdown Threshold | | Rising | 1.1 | 1.5 | 2.0 | V | |
| | | Hysteresis | | 0.2 | 0.45 | V | |
| Enable UVLO Threshold | | Rising | 2.3 | 3 | 3.6 | V | |
| | | Hysteresis | | 0.2 | 0.45 | V | |
| Internal Pull-up Current on EN | | | | 10 | 16 | μA | |
| CONTROL CIRCUITRY SECTION | | | | | | | |
| $V_{S1,2} - V_{D1,2}$ Forward Voltage | V_{fwd} | | 15 | 30 | 45 | mV | |
| Turn-on delay | T_{Don} | $C_{LOAD}=5nF$ | $-20^{\circ}C \leq T_J \leq 125^{\circ}C$ | | 150 | 200 | ns |
| | | | $-40^{\circ}C \leq T_J < -20^{\circ}C$ | | 250 | | |
| | T_{Don} | $C_{LOAD}=10nF$ | $-20^{\circ}C \leq T_J \leq 125^{\circ}C$ | | 250 | 300 | ns |
| | | | $-40^{\circ}C \leq T_J < -20^{\circ}C$ | | 350 | | |
| Input Bias Current on $V_{D1,2}$ pin | | $V_{D1,2} = 180V$ | | | 1.5 | μA | |
| Minimum ON-Time | T_{MIN} | $C_{LOAD} = 5nF$ | | 1 | | μs | |
| Minimum OFF-Time | T_{OFF} | | | 1.6 | | μs | |
| Light-Load–Enter Delay | $T_{LL-Delay}$ | $R_{LL}=100k\Omega$ | 80 | 160 | 260 | μs | |
| Light-Load–Enter Pulse Width | T_{LL} | $R_{LL}=100k\Omega$ | | 2.2 | | μs | |
| Light-Load Turn-On Pulse Width Hysteresis | T_{LL-H} | $R_{LL}=100k\Omega$ | | 0.2 | | μs | |
| Light-Load–Enter OFF Period Width | T_{LL-OFF} | $R_{LL}=100k\Omega$ | | 50 | | μs | |
| Light-Load Exit-Pulse Width Threshold ($V_{D1,2}-V_{S1,2}$) | V_{LL-DS} | | -450 | -300 | -140 | mV | |
| Light-load Enter-Pulse Width Threshold ($V_{G1,2}-V_{S1,2}$) | V_{LL-GS} | | | 1.0 | | V | |
| Reverse-Current–Protection Threshold | V_{RCP} | | 2.5 | 3 | 3.5 | V | |
| Reverse-Current–Protection Latch Time | T_{RCP} | | 80 | 150 | 230 | μs | |
| GATE DRIVER SECTION | | | | | | | |
| $V_{G1,2}$ (Low) | | $I_{LOAD}=1mA$ | | | 0.1 | V | |
| $V_{G1,2}$ (High) | | $V_{DD} > 16V$ | 13 | 14.5 | 16 | V | |
| | | $V_{DD} < 16V$ | | $V_{DD}-2.2$ | | | |
| Turn-Off Threshold ($V_{S1,2}-V_{D1,2}$) | | | | -30 | | mV | |
| Turn-Off Propagation Delay | | $V_{D1,2} = V_{SS}$ | | 15 | | ns | |

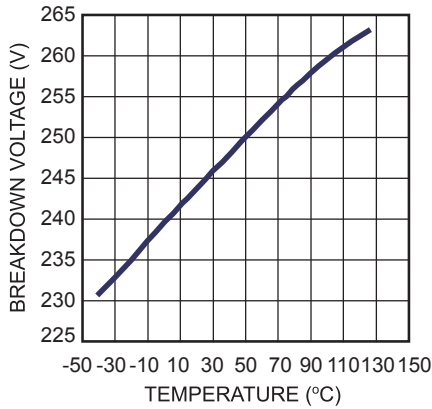
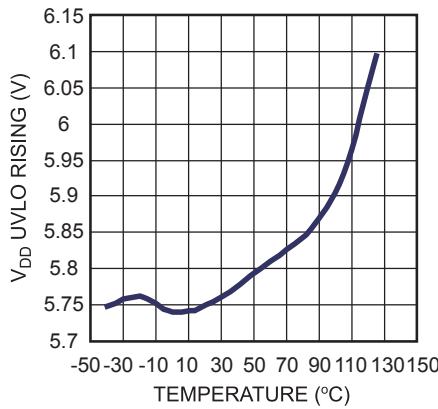
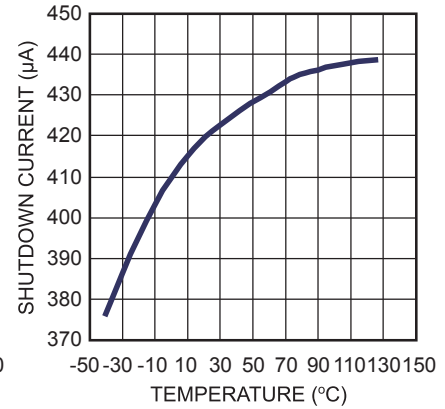
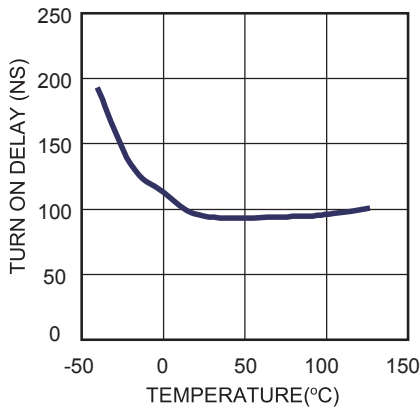
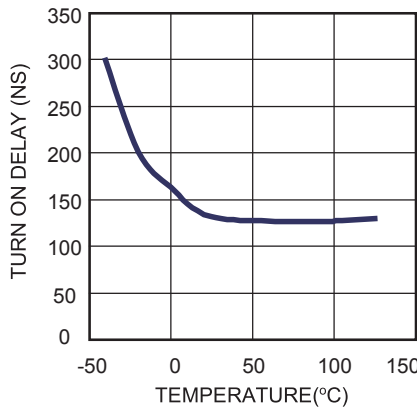
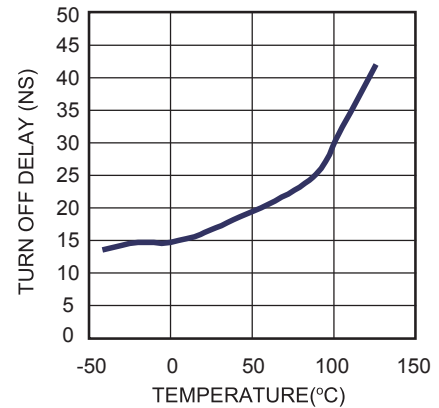
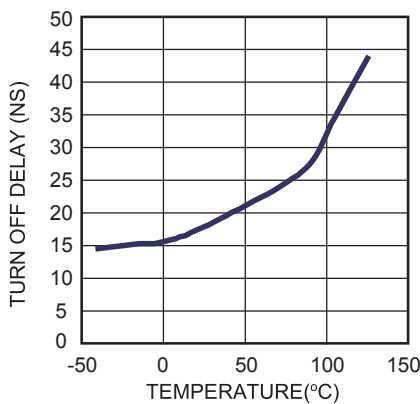
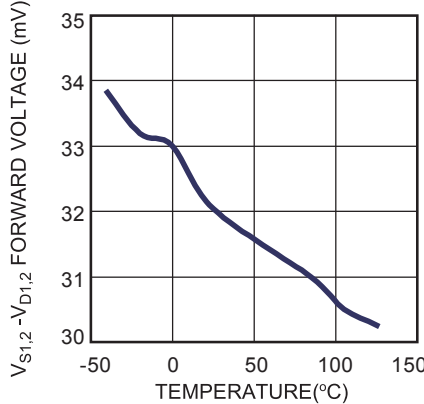
ELECTRICAL CHARACTERISTICS (continued)
 $V_{DD} = 12V$, $-40^{\circ}C \leq T_J \leq 125^{\circ}C$, unless otherwise noted.

| Parameter | Symbol | Conditions | Min | Typ | Max | Units |
|--|------------|---|-----|-----|-----|----------|
| Turn-Off Total Delay | T_{Doff} | $V_{D1,2} = V_{SS}$, $C_{LOAD} = 5nF$, $R_{GATE} = 0\Omega$ | | 50 | 75 | ns |
| Pull-Down Impedance Pull-Down Current | | $V_{D1,2} = V_{SS}$, $C_{LOAD} = 10nF$, $R_{GATE} = 0\Omega$ | | 50 | 75 | ns |
| | | | | 1 | 2 | Ω |
| | | $3V < V_{G1,2} < 10V$ | | 3 | | A |

PIN FUNCTIONS

| Pin # (SOIC8) | Pin # (SOIC8E) | Pin # (SOIC14) | Name | Description |
|------------------|-------------------|-------------------|-----------------|--|
| 1 | 1 | 2 | V _{G2} | MOSFET 2 Gate Driver Output. |
| 3 | 2 | 3 | EN | Enable Pin. Enables the internal IC logic when the EN pin voltage exceeds the EN shutdown threshold; the gate driver remains latched until the EN voltage exceeds the EN UVLO threshold. |
| 4 | 3 | 6 | V _{D2} | MOSFET 2 Drain Voltage Sense. |
| - | 4 | 7 | V _{S2} | Source pin used as reference for V _{D2} . |
| - | 5 | 8 | V _{S1} | Source pin used as reference for V _{D1} . |
| 6 | 6 | 9 | V _{D1} | MOSFET 1 Drain Voltage Sense. |
| 7 | 7 | 12 | V _{DD} | Supply Voltage. |
| 8 | 8 | 13 | V _{G1} | MOSFET 1 Gate Driver Output. |
| 2 | EXPOSED PAD | 1,14 | PGND | Power Ground. Power switch return. |
| - | - | 5,10 | NC | No Connection. |
| - | - | 4 | LL | Light-Load–Timing Set. Connect a resistor to set the light-load timing. |
| - | - | 11 | RCP | Reverse Current Protection. Internal 5V reference. |
| 5 | - | - | V _{SS} | Common Source. Used as reference for both channels. |

TYPICAL CHARACTERISTICS

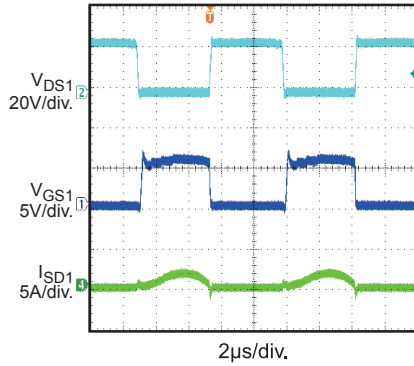
 $V_{D1,2}$ Breakdown Voltage vs. Temperature

 V_{DD} UVLO Rising vs. Temperature

Shutdown Current ($V_{DD}=20V$) vs. Temperature

Turn On Delay (Load=5nF) vs. Temperature

Turn On Delay (Load=10nF) vs. Temperature

Turn Off Delay (Load=5nF) vs. Temperature

Turn Off Delay (Load=10nF) vs. Temperature

 $V_{S1,2}-V_{D1,2}$ Forward Voltage vs. Temperature


TYPICAL PERFORMANCE CHARACTERISTICS (continued)

$V_{DD} = 12V$, unless otherwise noted.

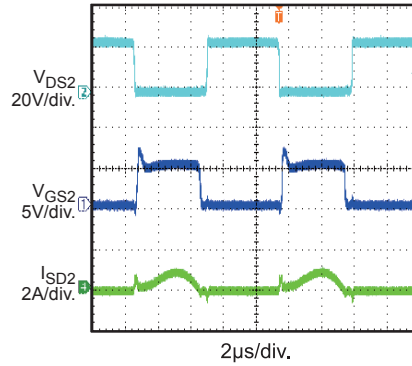
**Operation in 90W
LLC Converter**

$V_{IN} = 240V_{AC}$, $V_{OUT} = 12V$, $I_{OUT} = 0.75A$



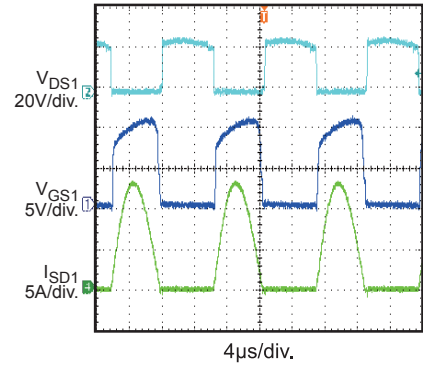
**Operation in 90W
LLC Converter**

$V_{IN} = 240V_{AC}$, $V_{OUT} = 12V$, $I_{OUT} = 0.75A$



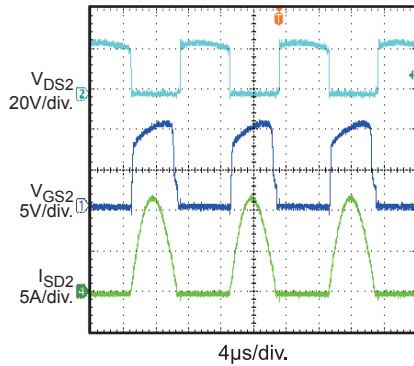
**Operation in 90W
LLC Converter**

$V_{IN} = 240V_{AC}$, $V_{OUT} = 12V$, $I_{OUT} = 7.5A$



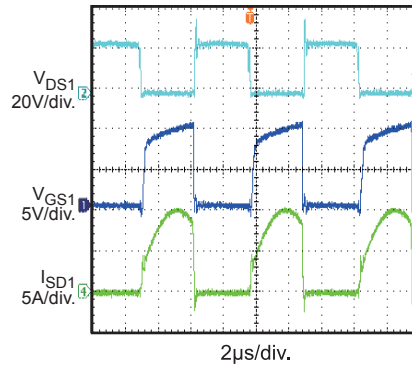
**Operation in 90W
LLC Converter**

$V_{IN} = 240V_{AC}$, $V_{OUT} = 12V$, $I_{OUT} = 7.5A$



**Operation in 90W
LLC Converter**

$V_{IN} = 265V_{AC}$, $V_{OUT} = 12V$, $I_{OUT} = 7.5A$



BLOCK DIAGRAM

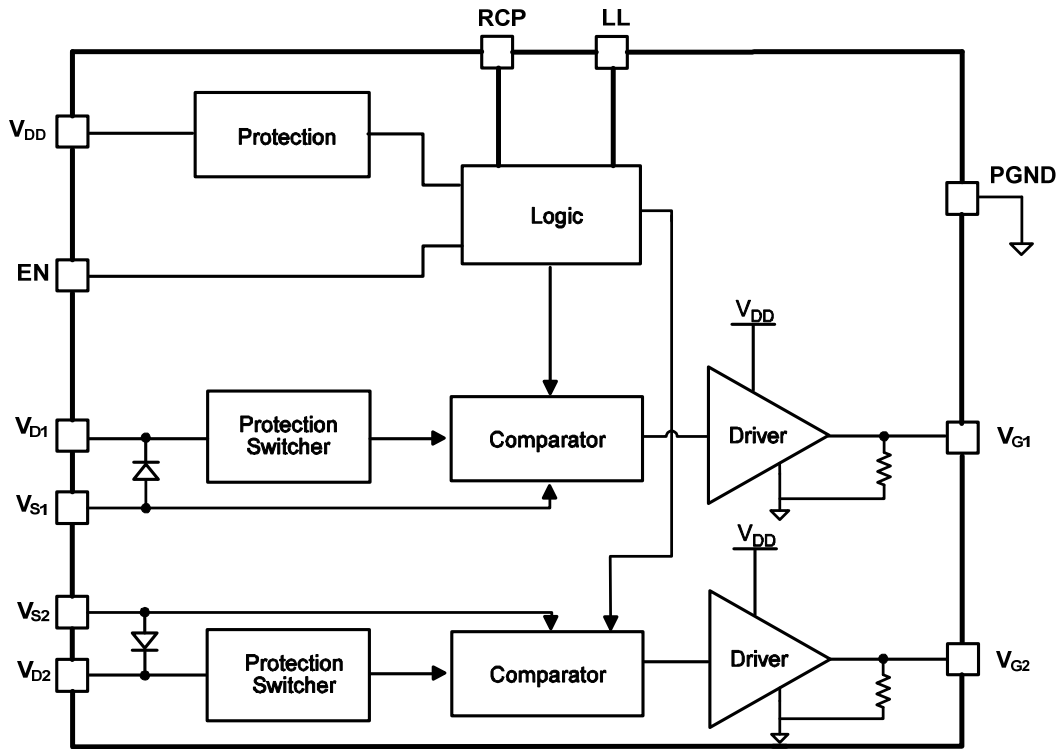


Figure 1: Functional Block Diagram

OPERATION

The MP6922A operates in discontinuous-conduction mode (DCM), continuous-conduction mode (CCM), and critical conduction mode (CrCM) condition. Operating in either DCM or CrCM, the control circuitry controls the gate in forward mode; it turns the gate off when the MOSFET current is low. In CCM, the control circuitry turns off the gate during very fast transients.

Blanking

The control circuitry contains a blanking function that ensure that when the MOSFET turns ON/OFF, the MOSFET remains in that state for $\sim 1\mu\text{s}$, which determines the minimum ON-time. During the turn-on blanking period, the turn-off threshold is not totally blanked, but changes to $\sim +100\text{mV}$ (instead of $+30\text{mV}$). This ensures that the part can always turn OFF even during the turn-on blanking period (albeit slower, so avoid setting the synchronous period to less than $1\mu\text{s}$ at CCM condition in the LLC converter to eliminate shoot-through).

VD Clamp

The MP6922A uses a high-voltage JFET at its input because $V_{D1,2}$ can go as high as 180V . Connect a small resistor between the $V_{D1,2}$ pin and the external MOSFET drain to avoid excessive currents when V_G goes below -0.7V .

Under-Voltage Lockout (UVLO)

When V_{DD} goes below the UVLO threshold, the part enters sleep mode and a $10\text{k}\Omega$ resistor pulls down V_G .

Enable Pin

If EN is pulled low, the part enters sleep mode.

Thermal Shutdown

If the junction temperature of the IC exceeds 150°C , V_G is pulled low and the part stops switching. The part resumes normal operation after the junction temperature has dropped to 120°C .

Turn-On Phase

V_{DS} ($V_D - V_{SS}$) goes negative ($< -500\text{mV}$) when the switch current flows through the MOSFET's body diode. If V_{DS} is much lower than the turn-on threshold of the control circuitry (-30mV), then

the MOSFET turns on after about 200ns turn-on delay (Figure 2).

Triggering the turn-on threshold (-30mV) causes the circuit to add a blanking time (minimum on-time $1\mu\text{s}$), during which the turn-off threshold changes from $+30\text{V}$ to $+100\text{mV}$. This blanking time avoids erroneous triggering caused by ringing on the synchronous power switch.

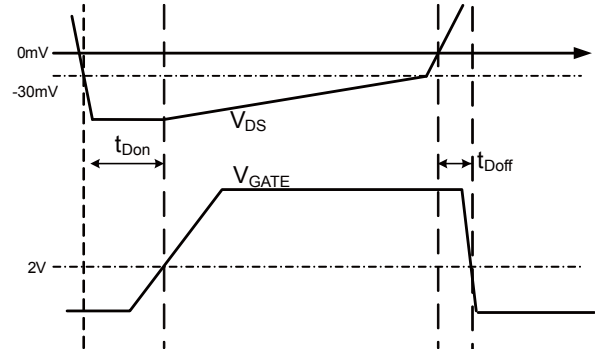


Figure 2: Turn-On and Turn-Off delay

Conducting Phase

When the MOSFET turns ON, V_{DS} ($-I_{SD} \times R_{DS(ON)}$) rise relative to the switch current (I_{SD}) drop. When V_{DS} rises above the turn-on threshold (-30mV), the control circuitry stops pulling up the gate driver and the MOSFET driver voltage drops, which increases the MOSFET's $R_{DS(ON)}$. This adjusts V_{DS} ($-I_{SD} \times R_{DS(ON)}$) to around -30mV even when the switch current I_{SD} is fairly small, and can prevent the internal driver from triggering until the current through the MOSFET has dropped to near zero.

Turn-Off Phase

When V_{DS} rises to trigger the turn-off threshold (30mV), the control circuitry pulls down the driver switch voltage after a 20ns turn-off delay (shown in Figure 2). Similarly, a $1.6\mu\text{s}$ blanking time occurs after the switch turns off, during which the MOSFET does not turn on to avoid erroneous triggering.

Figure 3 shows the MP6922A operating under a heavy-load. The high current initially saturates the driver voltage. After V_{DS} goes above -30mV , the driver voltage decreases to adjust the V_{DS} to around -30mV .

Figure 4 shows the MP6922A operating at light-load. The low current prevents the driver voltage from saturating but decreases when the synchronous power switch turns on and adjusts V_{DS} .

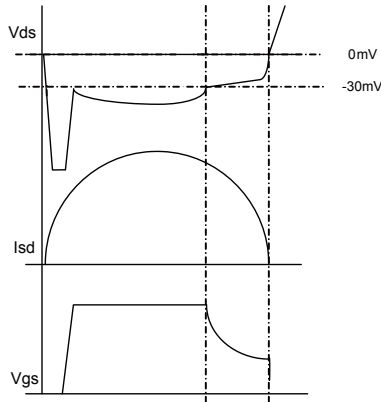


Figure 3: Synchronous Rectification Operation at Heavy Load

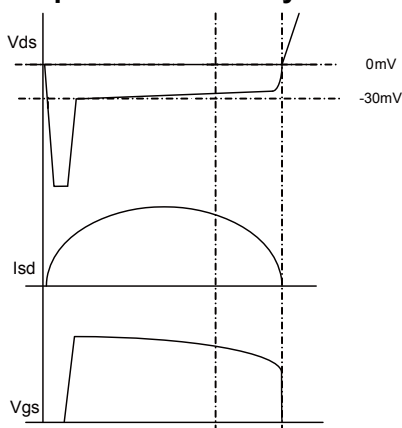


Figure 4: Synchronous Rectification Operation at Light Load

Light-Load Latch-Off Function

The gate driver of MP6922A is latched to limit driver losses under light-load condition to improve light-load efficiency.

Normal Operation Latch Off

When the MOSFET's switching-cycle conducting period falls below $2.2\mu\text{s}$ (τ_{LL}), the MP6922A enters light-load mode and latches off the MOSFET after a $160\mu\text{s}$ delay (light-load-enter delay, $\tau_{LL-Delay}$)

After entering light-load mode, the MP6922A monitors the MOSFET's body diode conducting period by sensing V_{DS} (when V_{DS} exceeds -300mV (V_{LL-DS}), MP6922A treats the the MOSFET's body-diode conducting period as finished). If the MOSFET's body diode conducting period exceeds $2.4\mu\text{s}$ ($\tau_{LL} + \tau_{LL-H}$), light-load mode ends and the MOSFET unlatches to restart the synchronous rectification.

For the SOIC14 package, the MP6922A has an LL pin that allows τ_{LL} to be adjusted by an external resistor:

$$\tau_{LL} = 2.2\mu\text{s} \cdot \frac{R_{LL}}{100\text{k}\Omega}$$

Latch Off during Burst Operation

The IC also monitors the synchronous MOSFET OFF period. If the OFF period exceeds the light-load-enter OFF period width (τ_{LL-OFF}), the MP6922A enters light-load mode and latches off the gate driver.

The gate driver is unlatched when the drain-source voltage of the synchronous MOSFET V_{DS} drops below -30mV .

Reverse Current-Protection Function

When the LLC system operates in CCM at a very high frequency, the synchronous current may reverse before the IC turns off the gate driver, which can lead to shoot-through (in center-tapped outputs with full-wave rectification topologies). The MP6922A has a protection function to latch off the gate driver when the current reverses before the driver signal is pulled low.

When the synchronous current reverses, the high spike can be observed between the MOSFET's drain/source. The MP6922A monitors the voltage through the RCP pin using a voltage divider. When the voltage of RCP pin exceeds V_{RCP} , MP6922A latches the driver signal of both channels for $\sim 150\mu\text{s}$ (τ_{RCP}) to protect the synchronous MOSFET. At the end of τ_{RCP} , MP6922A restarts the synchronous rectification.

TYPICAL APPLICATION CIRCUIT

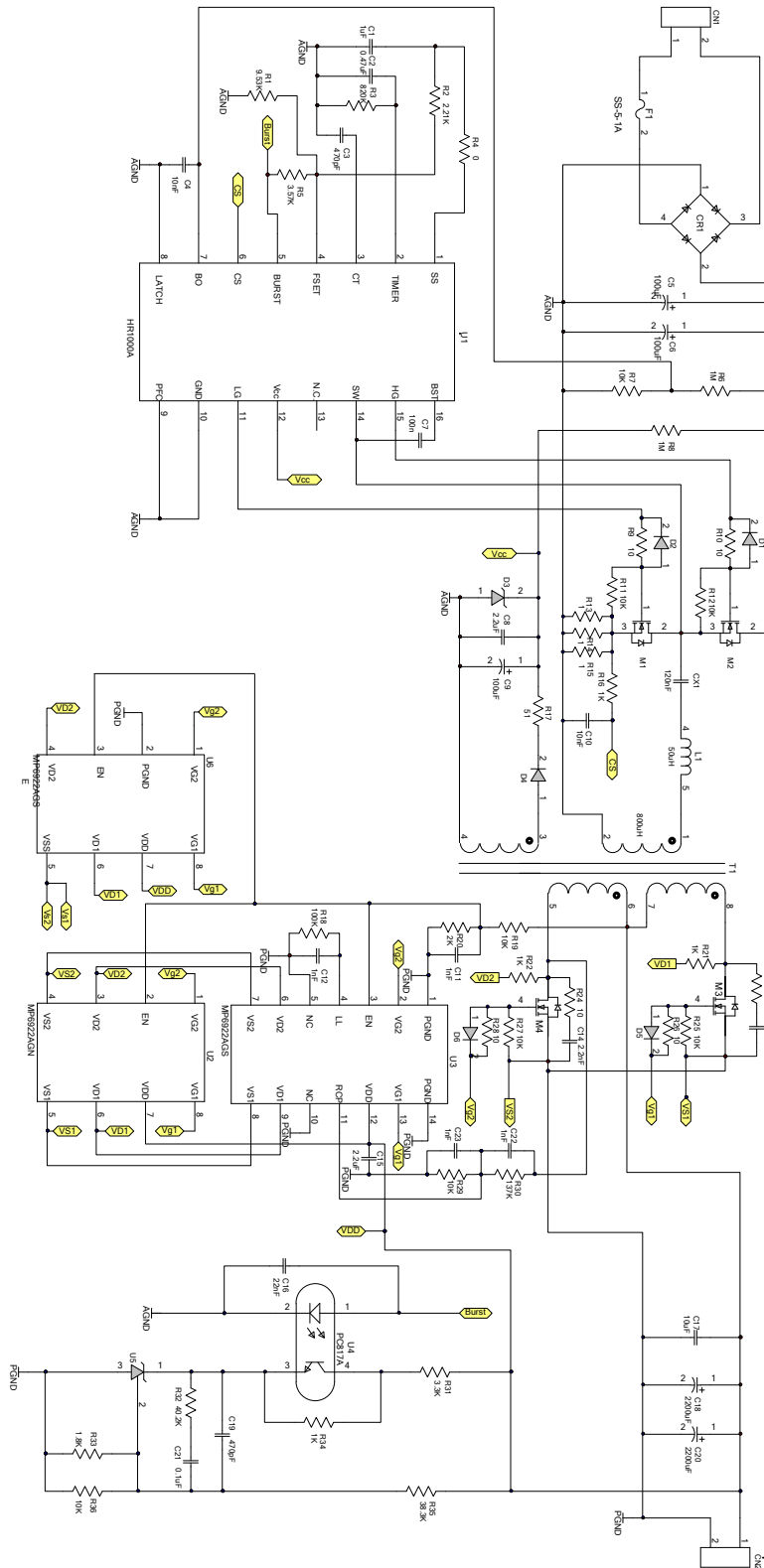
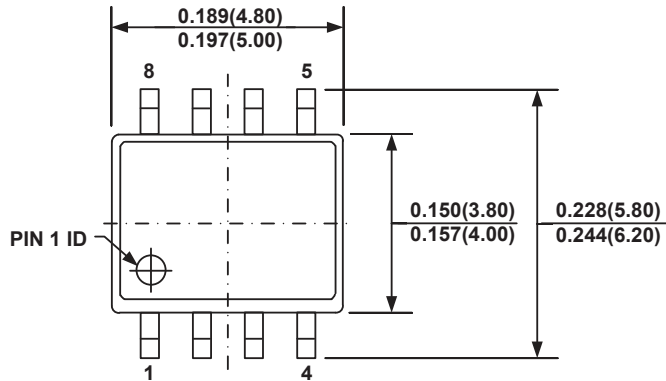
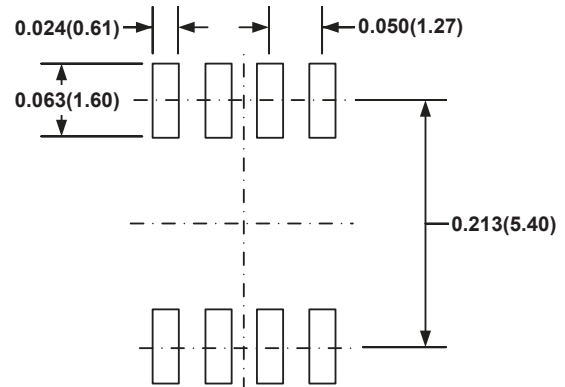
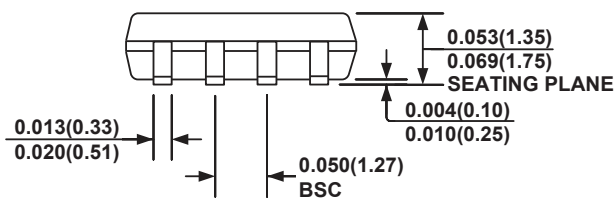
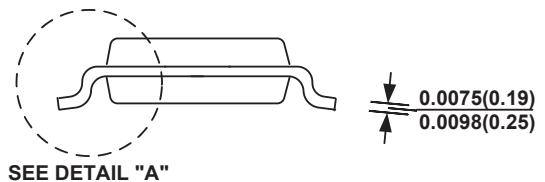
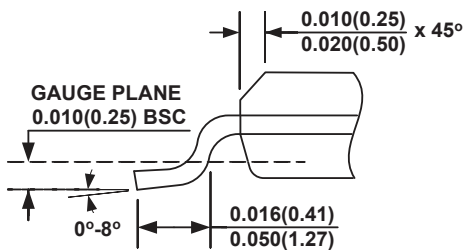
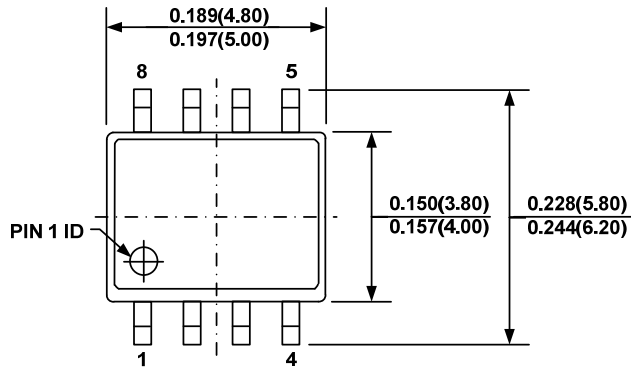


Figure 5—Synchronous Rectification in LLC with MP6922A

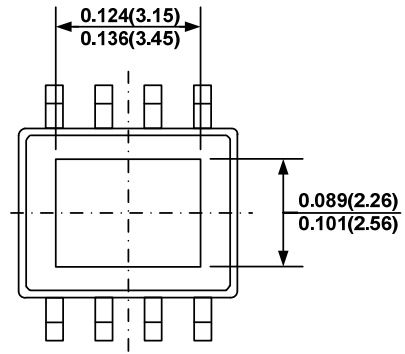
PACKAGE INFORMATION
SOIC8

TOP VIEW

RECOMMENDED LAND PATTERN

FRONT VIEW

SIDE VIEW

DETAIL "A"
NOTE:

- 1) CONTROL DIMENSION IS IN INCHES. DIMENSION IN BRACKET IS IN MILLIMETERS.
- 2) PACKAGE LENGTH DOES NOT INCLUDE MOLD FLASH, PROTRUSIONS OR GATE BURRS.
- 3) PACKAGE WIDTH DOES NOT INCLUDE INTERLEAD FLASH OR PROTRUSIONS.
- 4) LEAD COPLANARITY (BOTTOM OF LEADS AFTER FORMING) SHALL BE 0.004" INCHES MAX.
- 5) DRAWING CONFORMS TO JEDEC MS-012, VARIATION AA.
- 6) DRAWING IS NOT TO SCALE.

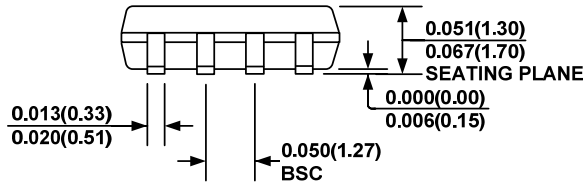
SOIC8E (EXPOSED PAD)



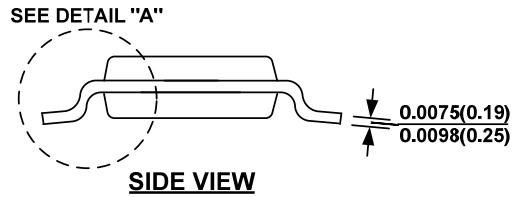
TOP VIEW



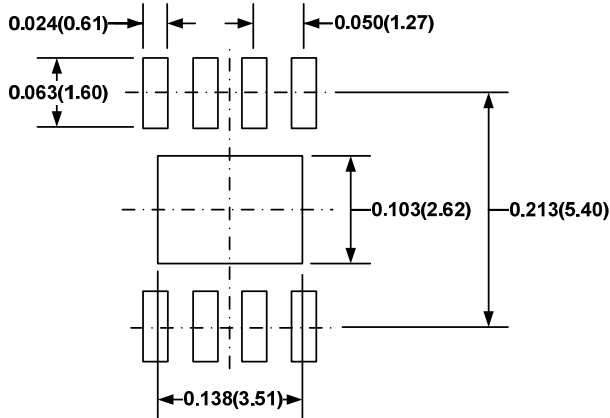
BOTTOM VIEW



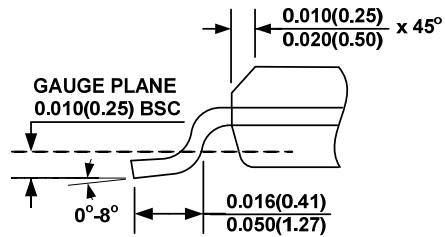
FRONT VIEW



SIDE VIEW



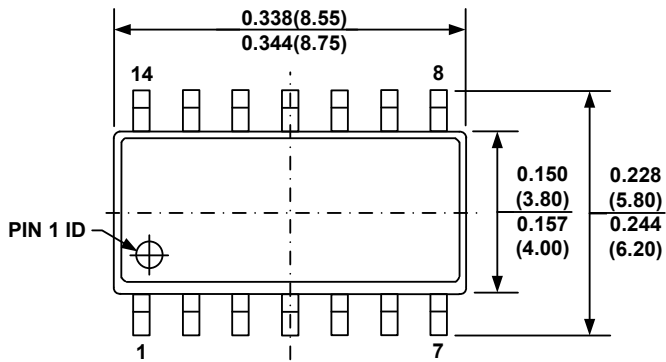
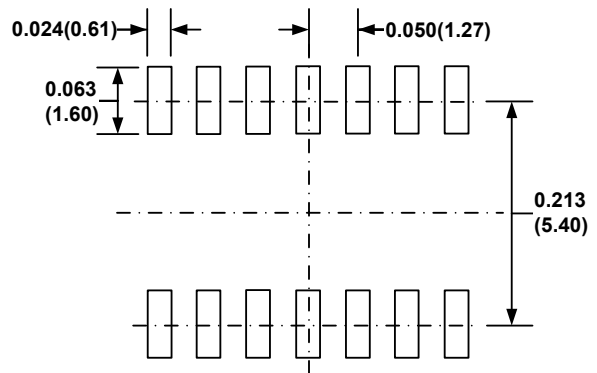
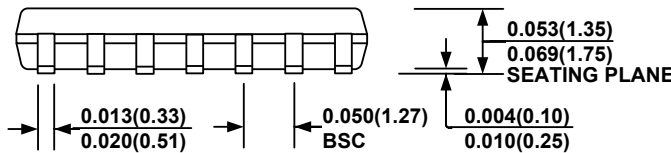
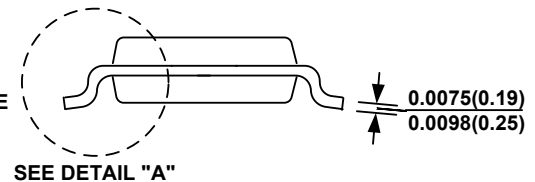
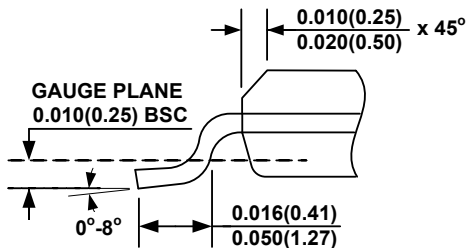
RECOMMENDED LAND PATTERN



DETAIL "A"

NOTE:

- 1) CONTROL DIMENSION IS IN INCHES. DIMENSION IN BRACKET IS IN MILLIMETERS.
- 2) PACKAGE LENGTH DOES NOT INCLUDE MOLD FLASH, PROTRUSIONS OR GATE BURRS.
- 3) PACKAGE WIDTH DOES NOT INCLUDE INTERLEAD FLASH OR PROTRUSIONS.
- 4) LEAD COPLANARITY (BOTTOM OF LEADS AFTER FORMING) SHALL BE 0.004" INCHES MAX.
- 5) DRAWING CONFORMS TO JEDEC MS-012, VARIATION BA.
- 6) DRAWING IS NOT TO SCALE.



SOIC14

TOP VIEW

RECOMMENDED LAND PATTERN

FRONT VIEW

SIDE VIEW

DETAIL "A"
NOTE:

- 1) CONTROL DIMENSION IS IN INCHES. DIMENSION IN BRACKET IS IN MILLIMETERS.
- 2) PACKAGE LENGTH DOES NOT INCLUDE MOLD FLASH, PROTRUSIONS OR GATE BURRS.
- 3) PACKAGE WIDTH DOES NOT INCLUDE INTERLEAD FLASH OR PROTRUSIONS.
- 4) LEAD COPLANARITY (BOTTOM OF LEADS AFTER FORMING) SHALL BE 0.004" INCHES MAX.
- 5) DRAWING CONFORMS TO JEDEC MS-012, VARIATION AB.
- 6) DRAWING IS NOT TO SCALE.

NOTICE: The information in this document is subject to change without notice. Users should warrant and guarantee that third party Intellectual Property rights are not infringed upon when integrating MPS products into any application. MPS will not assume any legal responsibility for any said applications.

Looking for pricing, stock, or lifecycle information?

Click below to explore more details on WIN SOURCE:

-  [View MP6922AGN-Z on WIN SOURCE](#)
-  [Monolithic Power Systems Inc. Information](#)

Optimize Your Supply Chain with WIN SOURCE Solutions

-  Global Sourcing Solution
-  Obsolete Management
-  Cost Control Management
-  Shortage Management
-  Alternative Solution
-  Excess Inventory Management