



# THE DATASHEET OF MRF587



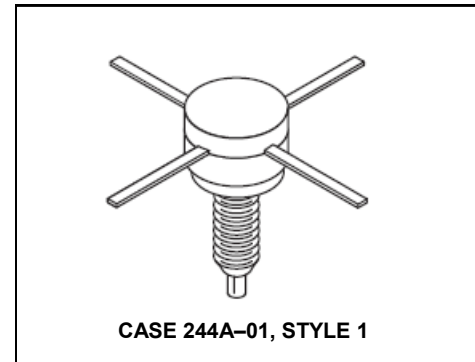
## The RF Line NPN Silicon High Frequency Transistor Noise Figure 3.0 dB@ 500MHz

Rev. V1

Designed for use in high-gain, low-noise, ultra-linear, tuned and wide-band amplifiers. Ideal for use in CATV, MATV, and instrumentation applications.

- Low noise figure —  
NF = 3.0 dB (typ.) @ f = 500 MHz, I<sub>C</sub> = 90 mA
- High power gain —  
G<sub>U(max)</sub> = 16.5 dB (typ.) @ f = 500 MHz
- Ion implanted
- All gold metal system
- High f<sub>T</sub> — 5.5 GHz
- Low intermodulation distortion:  
TB<sub>3</sub> = -70 dB  
DIN = 125 dB μV
- Nichrome emitter ballast resistors

### Product Image



### MAXIMUM RATINGS

Rating	Symbol	Value	Unit
Collector-Emitter Voltage	V <sub>CEO</sub>	17	Vdc
Collector-Base Voltage	V <sub>CBO</sub>	34	Vdc
Emitter-Base Voltage	V <sub>EBO</sub>	2.5	Vdc
Collector Current — Continuous	I <sub>C</sub>	200	mAdc
Total Device Dissipation @ T <sub>C</sub> = 50°C Derate above T <sub>C</sub> = 50°C	P <sub>D</sub>	5.0 33	Watts mW/°C
Storage Temperature Range	T <sub>stg</sub>	- 65 to +150	°C
Junction Temperature	T <sub>J</sub>	200	°C

### ELECTRICAL CHARACTERISTICS (T<sub>C</sub> = 25°C unless otherwise noted.)

Characteristic	Symbol	Min	Typ	Max	Unit
----------------	--------	-----	-----	-----	------

### OFF CHARACTERISTICS

Collector-Emitter Breakdown Voltage (I <sub>C</sub> = 5.0 mAdc, I <sub>B</sub> = 0)	V <sub>(BR)CEO</sub>	17	—	—	Vdc
Collector-Base Breakdown Voltage (I <sub>C</sub> = 1.0 mAdc, I <sub>E</sub> = 0)	V <sub>(BR)CBO</sub>	34	—	—	Vdc
Emitter-Base Breakdown Voltage (I <sub>C</sub> = 0, I <sub>E</sub> = 0.1 mAdc)	V <sub>(BR)EBO</sub>	2.5	—	—	Vdc
Collector Cutoff Current (V <sub>CB</sub> = 10 Vdc, I <sub>E</sub> = 0)	I <sub>CBO</sub>	—	—	50	μAdc

### ON CHARACTERISTICS

DC Current Gain (1) (I <sub>C</sub> = 50 mAdc, V <sub>CE</sub> = 5.0 Vdc)	h <sub>FE</sub>	50	—	200	—
--	-----------------	----	---	-----	---

NOTE:

1. 300 μs pulse on Tektronix 576 or equivalent.

(continued)

**The RF Line NPN Silicon High Frequency Transistor  
Noise Figure 3.0 dB@ 500MHz**

Rev. V1

**ELECTRICAL CHARACTERISTICS — continued** ( $T_C = 25^\circ\text{C}$  unless otherwise noted.)

Characteristic	Symbol	Min	Typ	Max	Unit
----------------	--------	-----	-----	-----	------

**DYNAMIC CHARACTERISTICS**

Current–Gain — Bandwidth Product (2) ( $I_C = 90\text{ mA}$ , $V_{CE} = 15\text{ Vdc}$ , $f = 0.5\text{ GHz}$ )	$f_T$	—	5.5	—	GHz
Collector–Base Capacitance ( $V_{CB} = 10\text{ Vdc}$ , $I_E = 0$ , $f = 1.0\text{ MHz}$ )	$C_{cb}$	—	1.7	2.2	pF

**FUNCTIONAL TESTS**

Narrowband — Figure 15 ( $I_C = 90\text{ mA}$ , $V_{CC} = 15\text{ V}$ , $f = 0.5\text{ GHz}$ ) Noise Figure Power Gain at Optimum Noise Figure	NF $G_{NF}$	— 11	3.0 13	4.0 —	dB
Broadband — Figure 16 ( $I_C = 90\text{ mA}$ , $V_{CC} = 15\text{ V}$ , $f = 0.3\text{ GHz}$ ) Noise Figure Power Gain at Optimum Noise Figure	NF $G_{NF}$	— —	6.3 11	— —	dB
Triple Beat Distortion ( $I_C = 50\text{ mA}$ , $V_{CC} = 15\text{ V}$ , $P_{Ref} = 50\text{ dBmV}$ ) ( $I_C = 90\text{ mA}$ , $V_{CC} = 15\text{ V}$ , $P_{Ref} = 50\text{ dBmV}$ )	$TB_3$	—	-70	—	dB
DIN 45004 ( $I_C = 90\text{ mA}$ , $V_{CC} = 15\text{ V}$ ) ( $I_C = 90\text{ mA}$ , $V_{CC} = 15\text{ V}$ )	DIN	—	125	—	dB $\mu$ V
Maximum Available Power Gain (3) ( $I_C = 90\text{ mA}$ , $V_{CE} = 15\text{ Vdc}$ , $f = 0.5\text{ GHz}$ )	$G_{Umax}$	—	16.5	—	dB

**NOTES:**

2. Characterized on HP8542 Automatic Network Analyzer

$$3. G_{Umax} = \frac{|S_{21}|^2}{(1-|S_{11}|^2)(1-|S_{22}|^2)}$$

## The RF Line NPN Silicon High Frequency Transistor Noise Figure 3.0 dB@ 500MHz

Rev. V1

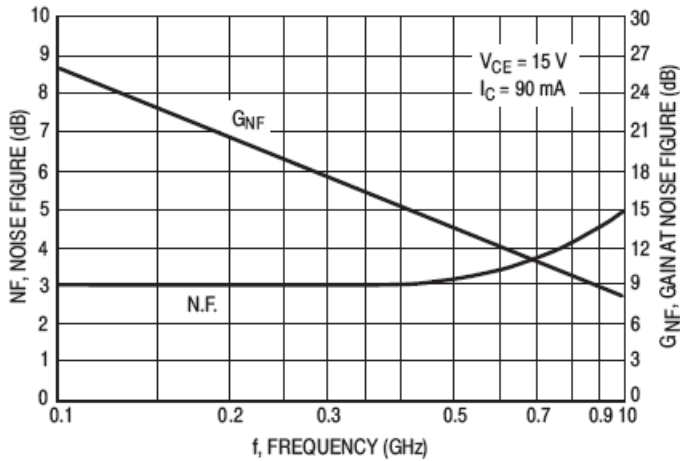


Figure 1. Typical Noise Figure and Associated Gain versus Frequency

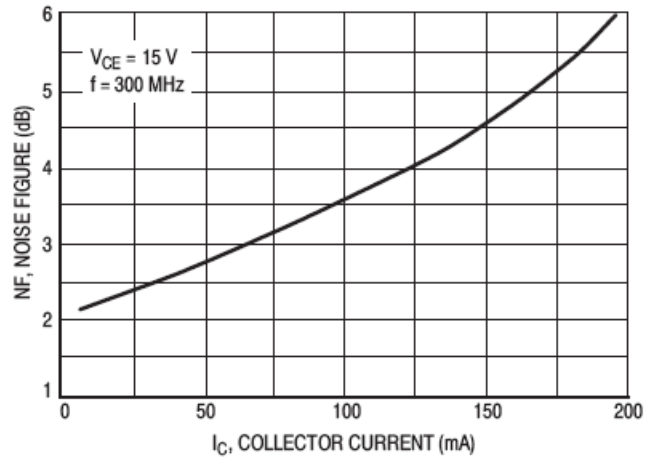


Figure 2. Noise Figure versus Collector Current

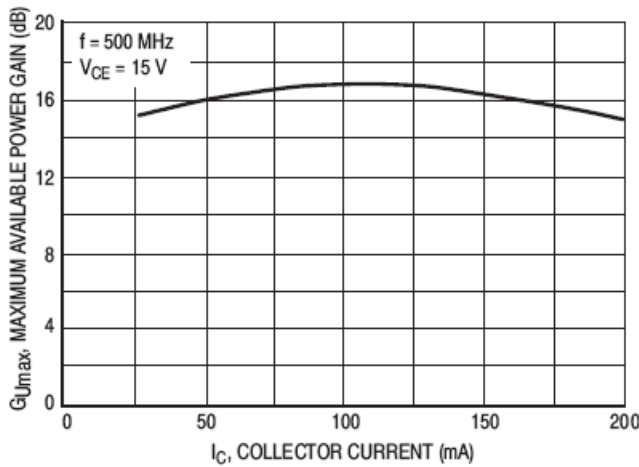


Figure 3.  $G_{Ummax}$  versus Collector Current

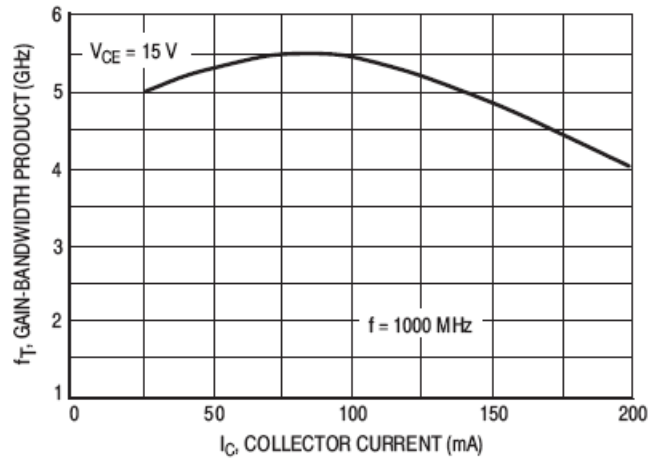


Figure 4. Gain-Bandwidth Product versus Collector Current

## TYPICAL PERFORMANCE

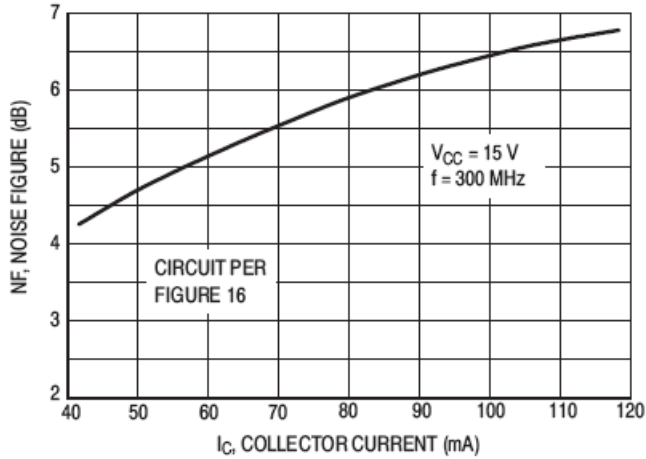


Figure 5. Broadband Noise Figure

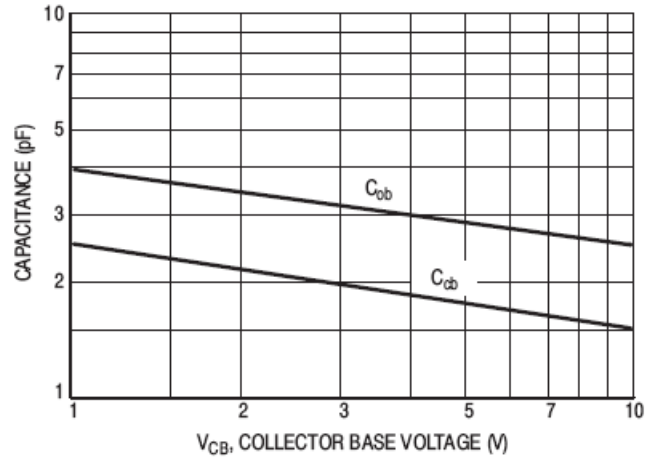


Figure 6. Junction Capacitance versus Voltage

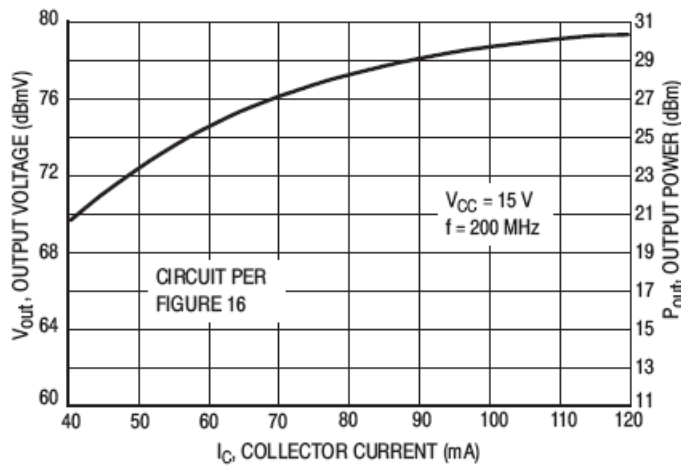


Figure 7. 1.0 dB Compression Point versus Collector Current

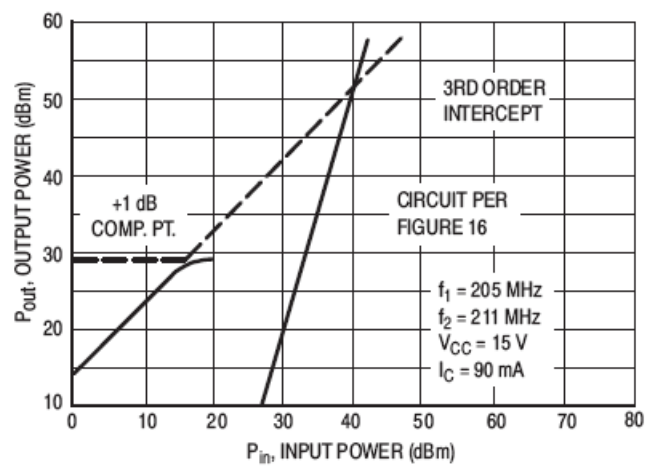


Figure 8. Third Order Intercept Point

TYPICAL PERFORMANCE (continued)

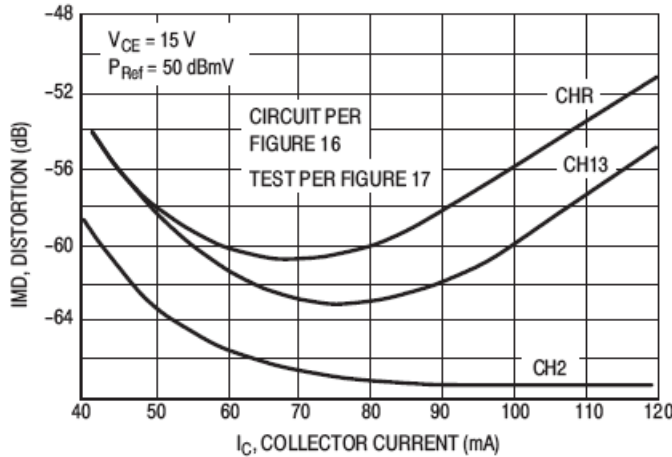


Figure 9. Second Order Distortion versus Collector Current

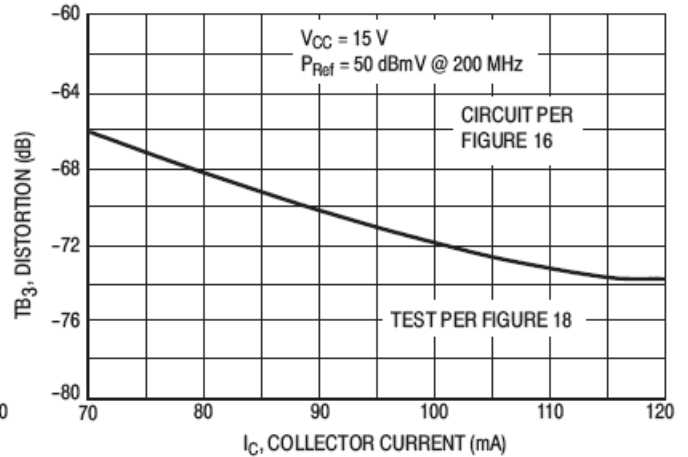


Figure 10. Triple Beat Distortion versus Collector Current

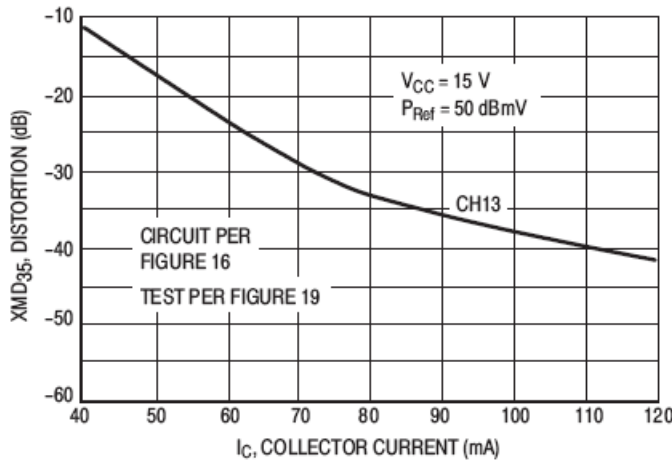


Figure 11. 35-Channel X-Modulation Distortion versus Collector Current

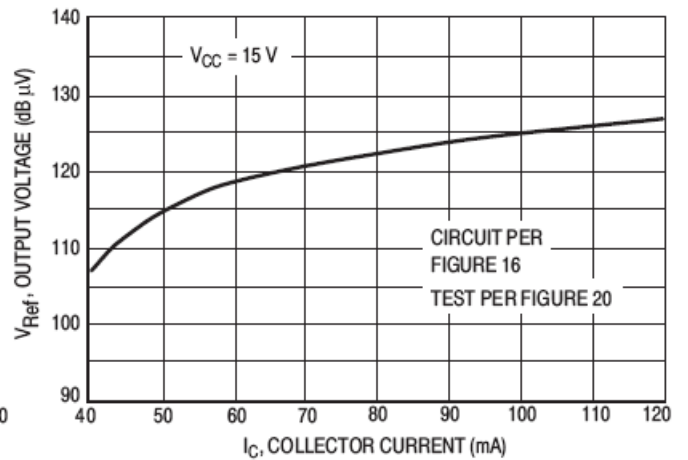


Figure 12. DIN 45004B versus Collector Current

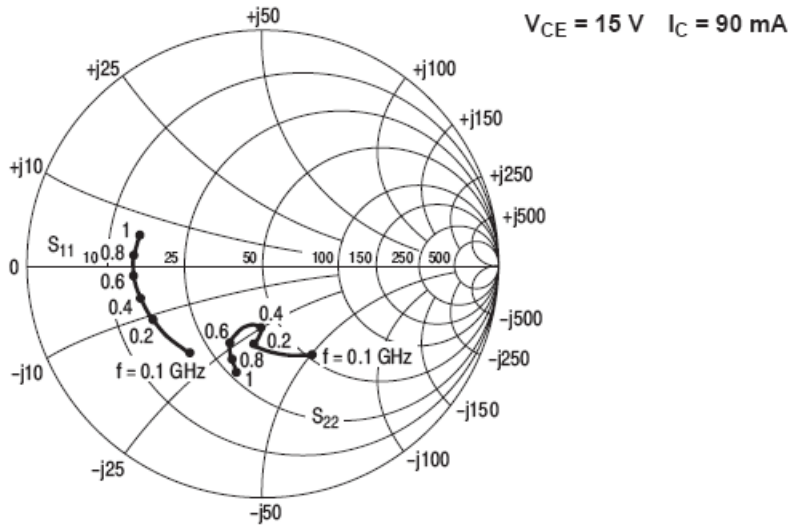


Figure 13. Input/Output Reflection Coefficient versus Frequency (GHz)

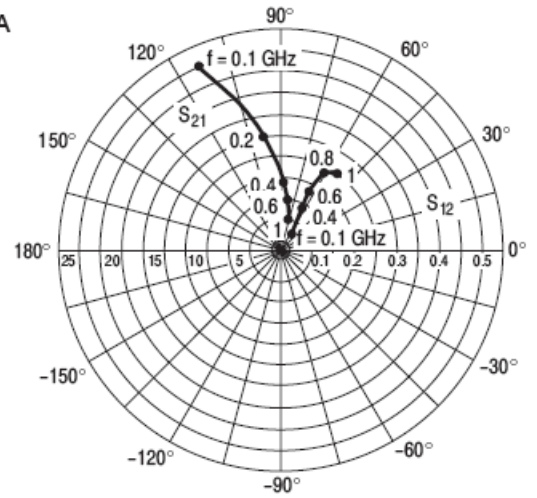


Figure 14. Forward/Reverse Transmission Coefficients versus Frequency (GHz)

**The RF Line NPN Silicon High Frequency Transistor**  
**Noise Figure 3.0 dB@ 500MHz**

Rev. V1

V <sub>CE</sub> (Volts)	I <sub>C</sub> (mA)	f (MHz)	S <sub>11</sub>		S <sub>21</sub>		S <sub>12</sub>		S <sub>22</sub>		
			S <sub>11</sub>	∠ φ	S <sub>21</sub>	∠ φ	S <sub>12</sub>	∠ φ	S <sub>22</sub>	∠ φ	
5.0	30	100	0.56	-131	16.45	113	0.04	45	0.49	-91	
		200	0.58	-159	9.42	98	0.06	49	0.38	-116	
		400	0.60	-178	5.00	86	0.08	55	0.35	-132	
		600	0.64	170	3.61	76	0.11	56	0.38	-138	
		800	0.67	162	2.92	67	0.14	55	0.41	-144	
		1000	0.70	155	2.55	58	0.17	54	0.44	-152	
		60	100	0.53	-141	17.89	110	0.04	50	0.47	-102
	200		0.56	-164	10.05	97	0.05	55	0.39	-126	
	400		0.59	178	5.31	85	0.09	60	0.38	-141	
	600		0.63	169	3.82	76	0.12	59	0.40	-146	
	800		0.66	161	3.09	67	0.15	57	0.44	-153	
	1000		0.69	155	2.67	58	0.18	55	0.47	-160	
	90		100	0.52	-145	18.26	109	0.04	52	0.47	-106
		200	0.56	-166	10.20	96	0.05	57	0.39	-130	
		400	0.59	177	5.38	85	0.09	62	0.39	-144	
		600	0.63	168	3.86	76	0.12	60	0.41	-149	
		800	0.66	161	3.12	67	0.15	58	0.45	-155	
		1000	0.69	155	2.70	58	0.19	55	0.48	-162	
		10	30	100	0.53	-122	18.36	115	0.04	48	0.50
	200			0.53	-153	10.63	100	0.05	51	0.36	-96
	400			0.55	175	5.71	87	0.08	57	0.33	-112
600	0.59			173	4.16	78	0.10	58	0.35	-119	
800	0.62			165	3.37	68	0.13	57	0.39	-127	
1000	0.65			158	2.95	59	0.15	55	0.42	-136	
60	100			0.49	-132	20.19	112	0.03	51	0.46	-85
	200		0.51	-158	11.54	99	0.05	57	0.35	-107	
	400		0.53	-178	6.12	87	0.08	61	0.33	-123	
	600		0.58	171	4.43	78	0.11	60	0.36	-129	
	800		0.60	164	3.58	68	0.14	59	0.40	-136	
	1000		0.63	157	3.12	60	0.16	57	0.44	-144	
	90		100	0.48	-135	20.82	111	0.03	53	0.45	-88
200			0.50	-160	11.77	98	0.05	59	0.34	-111	
400			0.53	-179	6.22	86	0.08	63	0.33	-126	
600			0.57	171	4.50	78	0.11	62	0.36	-131	
800			0.60	164	3.64	68	0.14	59	0.41	-139	
1000			0.63	157	3.18	60	0.17	57	0.44	-147	

(continued)

**Table 1. Common-Emitter S-Parameters**

**The RF Line NPN Silicon High Frequency Transistor**  
**Noise Figure 3.0 dB@ 500MHz**

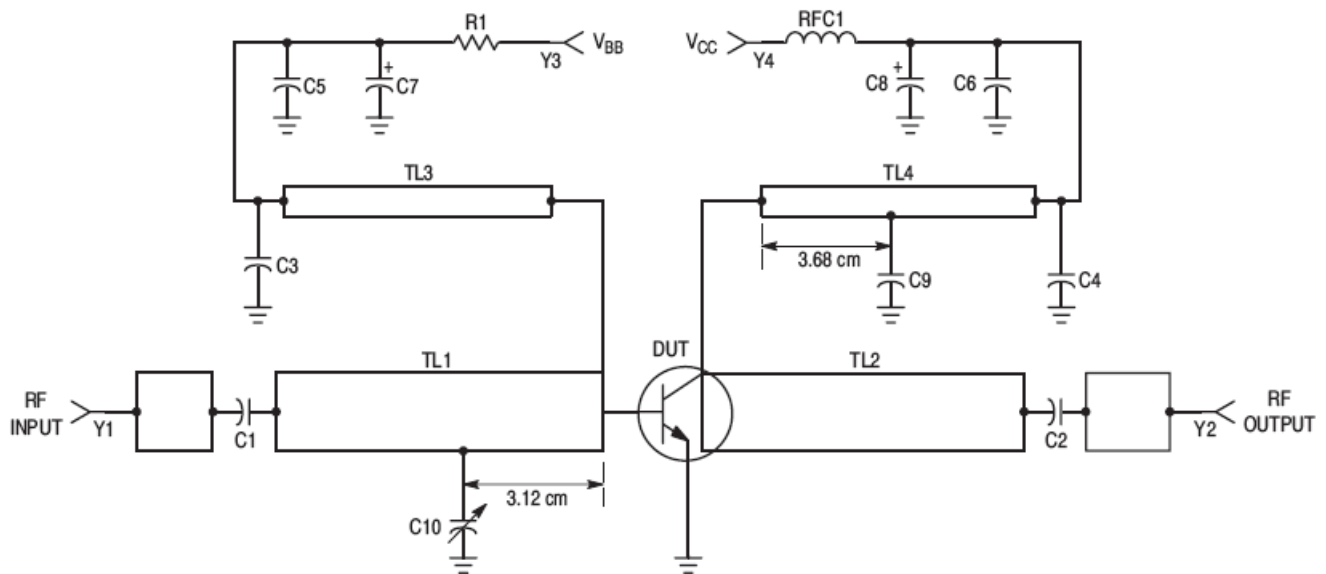
Rev. V1

V <sub>CE</sub> (Volts)	I <sub>C</sub> (mA)	f (MHz)	S <sub>11</sub>		S <sub>21</sub>		S <sub>12</sub>		S <sub>22</sub>	
			S <sub>11</sub>	∠φ	S <sub>21</sub>	∠φ	S <sub>12</sub>	∠φ	S <sub>22</sub>	∠φ
15	30	100	0.49	-112	20.34	118	0.04	54	0.51	-52
		200	0.52	-145	11.51	101	0.05	56	0.36	-77
		400	0.48	-164	6.12	87	0.09	63	0.32	-74
		600	0.52	-174	4.19	75	0.12	62	0.32	-90
		800	0.53	177	3.29	68	0.16	61	0.38	-90
		1000	0.53	168	2.76	61	0.20	56	0.47	-90
	60	100	0.45	-122	22.14	115	0.03	56	0.45	-60
		200	0.49	-150	12.24	99	0.05	60	0.33	-86
		400	0.45	-166	6.45	86	0.09	65	0.30	-83
		600	0.50	-175	4.42	75	0.13	63	0.32	-99
		800	0.51	177	3.47	68	0.16	61	0.38	-98
		1000	0.51	168	2.91	62	0.20	55	0.46	-96
	90	100	0.44	-127	22.76	114	0.03	58	0.43	-62
		200	0.48	-152	12.44	98	0.05	62	0.32	-89
		400	0.44	-167	6.55	85	0.09	66	0.29	-85
		600	0.50	-176	4.47	75	0.13	64	0.32	-102
		800	0.51	176	3.51	69	0.17	61	0.38	-100
		1000	0.51	168	2.95	62	0.20	55	0.46	-98

Table 1. Common-Emitter S-Parameters (continued)

## The RF Line NPN Silicon High Frequency Transistor Noise Figure 3.0 dB@ 500MHz

Rev. V1



C1, C2 — 470 pF Chip (Ceramic)  
 C3, C4 — 0.018  $\mu$ F Chip Capacitor  
 C5, C6 — 0.1  $\mu$ F Mylar  
 C7, C8 — 1.0  $\mu$ F, 25 Vdc Electrolytic  
 C9 — 91 pF Mini-Unelco (C9 Taped 3.68 cm from  
 Collector Connection on TL4 as shown)  
 C10 — 35–45 pF Johanson Ceramic Capacitor, JMC  
 5801 or Equivalent (C10 Taped 3.12 cm from  
 Base Connection on TL1)

R1 — 2.7 k $\Omega$ , 1–1/2 W  
 RFC1 — 0.15  $\mu$ H Molded Choke  
 TL1, TL2 —  $Z_0 = 26 \Omega$ , 0.0625 TFG as shown in  
 Photomaster  
 TL3, TL4 —  $\lambda/4$  Microstrip,  $Z_0 = 100 \Omega$   
 Y1, Y2 — N-Type Connection (Female)  
 Y3, Y4 — BNC-Type Connector (Female)  
 Board Material — 0.0625" Thick Glass Teflon  $\epsilon_r = 2.5$

**Figure 15. Narrowband Test Fixture Schematic  
500 MHz**

The RF Line NPN Silicon High Frequency Transistor  
Noise Figure 3.0 dB@ 500MHz

Rev. V1

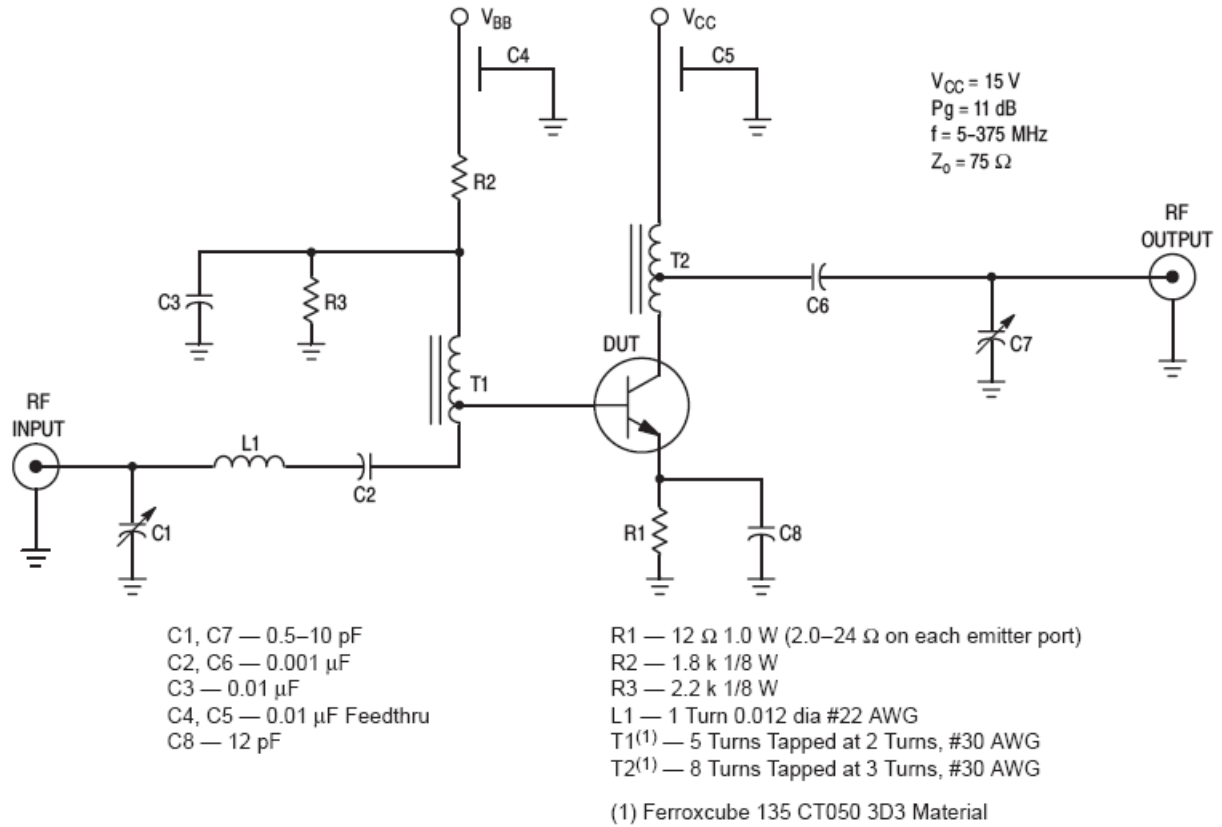


Figure 16. Broadband Test Circuit Schematic

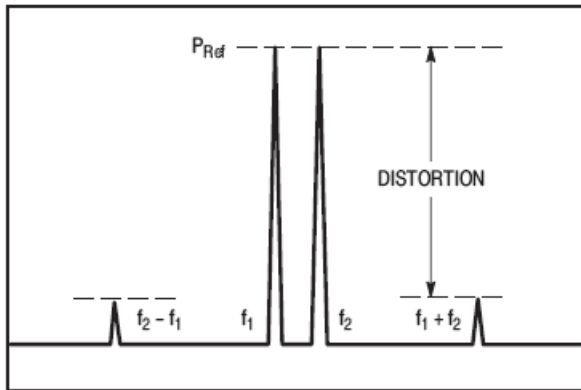


Figure 17. Second Order Distortion Test

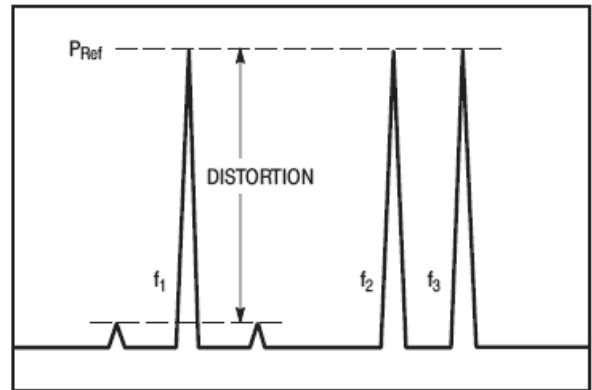


Figure 18. Triple Beat Distortion Test

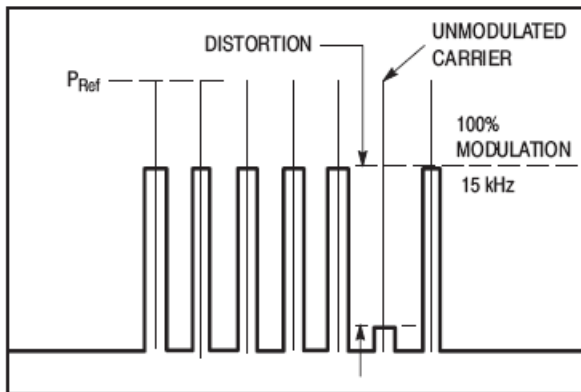


Figure 19. Cross Modulation Distortion Test

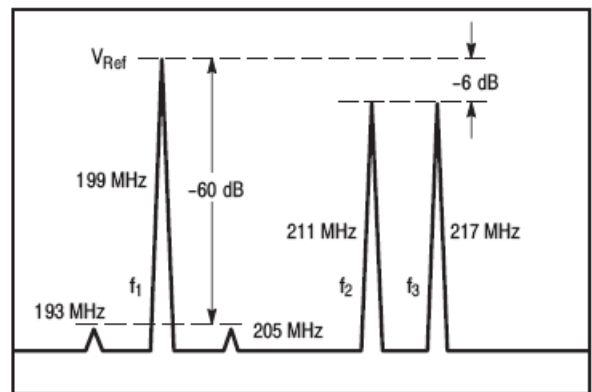
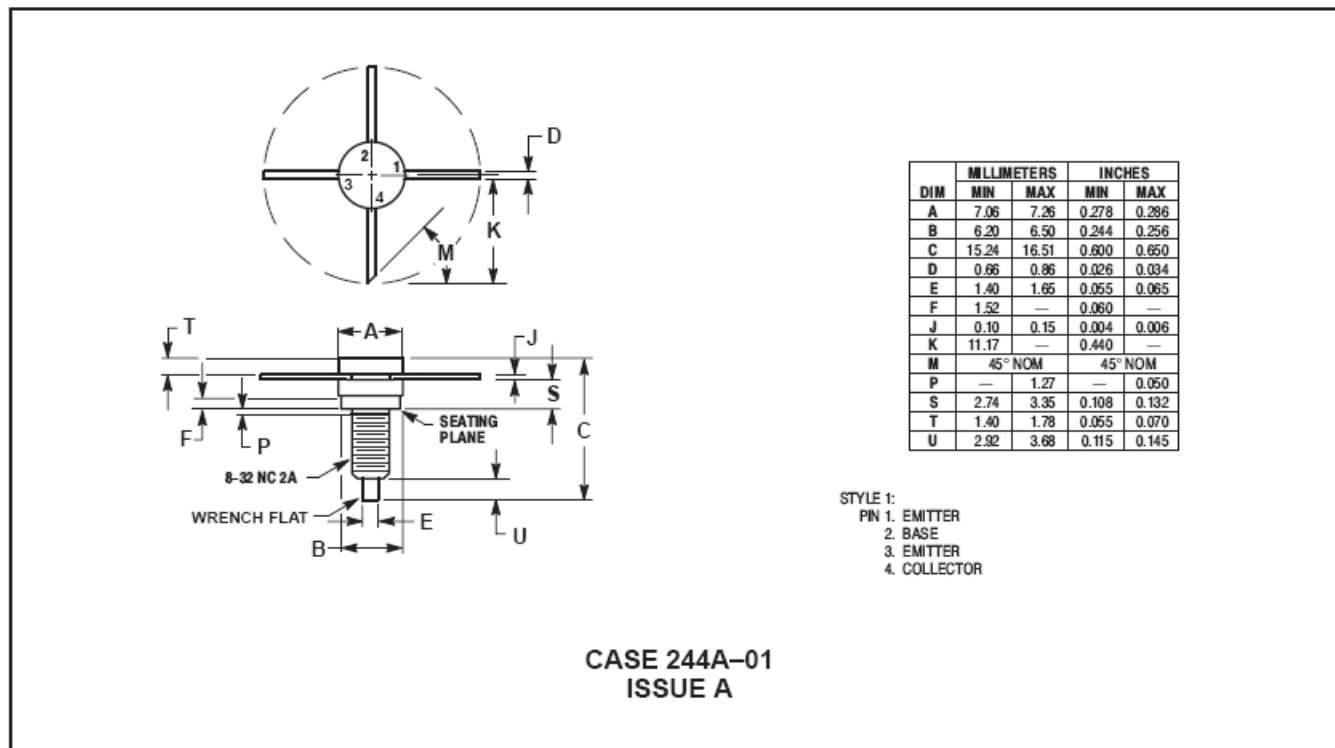


Figure 20. DIN 45004B Intermodulation Test

## PACKAGE DIMENSIONS



M/A-COM Technology Solutions Inc. All rights reserved.

Information in this document is provided in connection with M/A-COM Technology Solutions Inc ("MACOM") products. These materials are provided by MACOM as a service to its customers and may be used for informational purposes only. Except as provided in MACOM's Terms and Conditions of Sale for such products or in any separate agreement related to this document, MACOM assumes no liability whatsoever. MACOM assumes no responsibility for errors or omissions in these materials. MACOM may make changes to specifications and product descriptions at any time, without notice. MACOM makes no commitment to update the information and shall have no responsibility whatsoever for conflicts or incompatibilities arising from future changes to its specifications and product descriptions. No license, express or implied, by estoppel or otherwise, to any intellectual property rights is granted by this document.

THESE MATERIALS ARE PROVIDED "AS IS" WITHOUT WARRANTY OF ANY KIND, EITHER EXPRESS OR IMPLIED, RELATING TO SALE AND/OR USE OF MACOM PRODUCTS INCLUDING LIABILITY OR WARRANTIES RELATING TO FITNESS FOR A PARTICULAR PURPOSE, CONSEQUENTIAL OR INCIDENTAL DAMAGES, MERCHANTABILITY, OR INFRINGEMENT OF ANY PATENT, COPYRIGHT OR OTHER INTELLECTUAL PROPERTY RIGHT. MACOM FURTHER DOES NOT WARRANT THE ACCURACY OR COMPLETENESS OF THE INFORMATION, TEXT, GRAPHICS OR OTHER ITEMS CONTAINED WITHIN THESE MATERIALS. MACOM SHALL NOT BE LIABLE FOR ANY SPECIAL, INDIRECT, INCIDENTAL, OR CONSEQUENTIAL DAMAGES, INCLUDING WITHOUT LIMITATION, LOST REVENUES OR LOST PROFITS, WHICH MAY RESULT FROM THE USE OF THESE MATERIALS.

MACOM products are not intended for use in medical, lifesaving or life sustaining applications. MACOM customers using or selling MACOM products for use in such applications do so at their own risk and agree to fully indemnify MACOM for any damages resulting from such improper use or sale.

## Looking for pricing, stock, or lifecycle information?

Click below to explore more details on WIN SOURCE:

- ⊖ [View MRF587 on WIN SOURCE](#)
- ⊖ [M/A-Com Technology Solutions](#) Information

## Optimize Your Supply Chain with WIN SOURCE Solutions

- ✓ Global Sourcing Solution
- ✓ Obsolete Management
- ✓ Cost Control Management
- ✓ Shortage Management
- ✓ Alternative Solution
- ✓ Excess Inventory Management